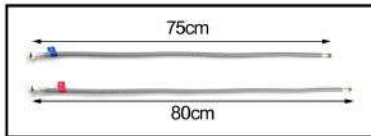


Points to pay attention to hot and cold water inlet pipes

- 1.The filter gaskets inside the hoses are used to prevent impurities from entering and damaging the faucet.
2. We have several spare filter gaskets, please keep them and don't lose them. If the angle valve thread is not long enough to cause a leak, you can add an extra filter gasket into the hose and reinstall it.
- 3.If the water flow becomes smaller, there may be impurities stuck on the filter gaskets. Please take the filter gaskets out and clean them thoroughly.



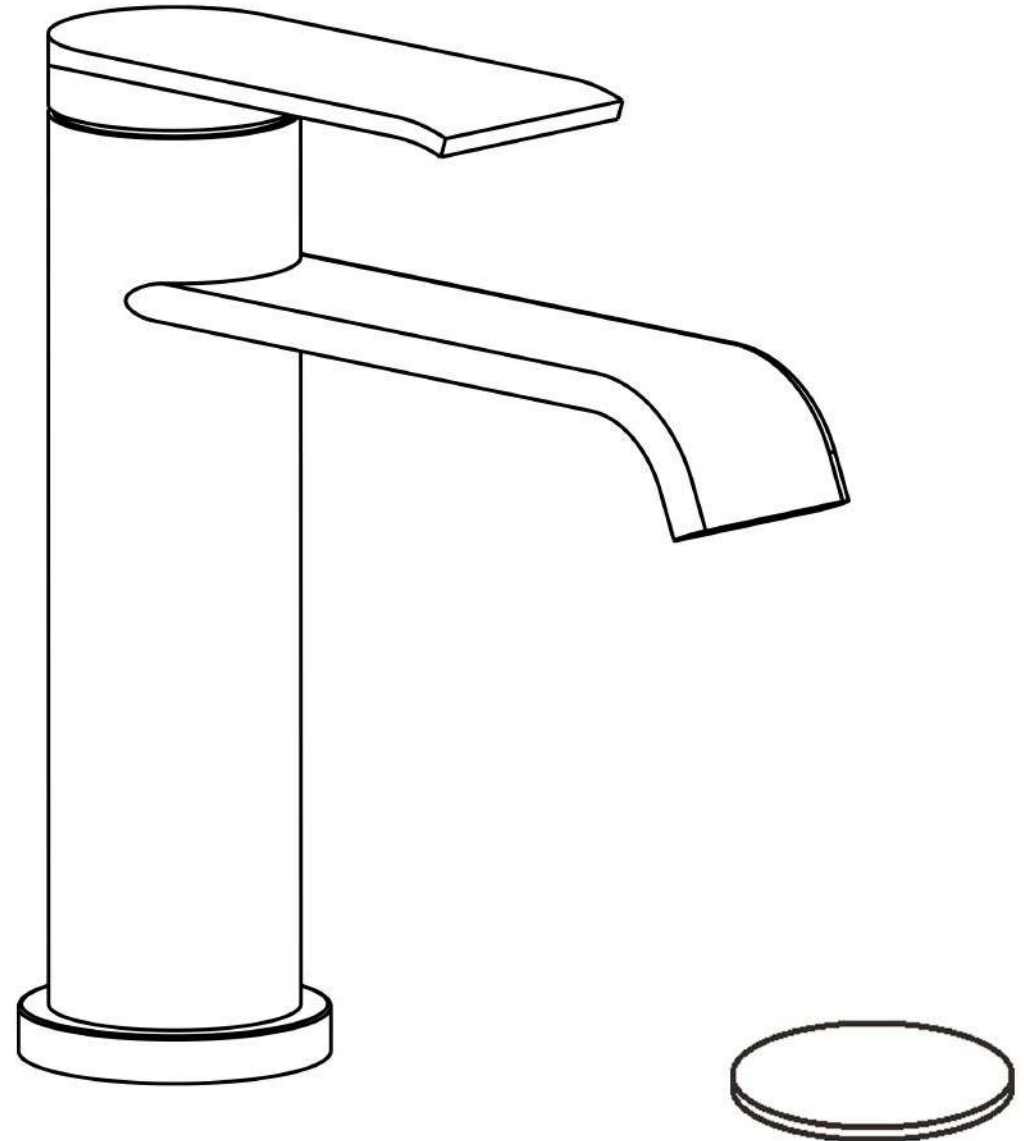
- 4.Please note that the hot and cold inlet hoses are long and short, they can be more easily inserted into the sink holes in turn.



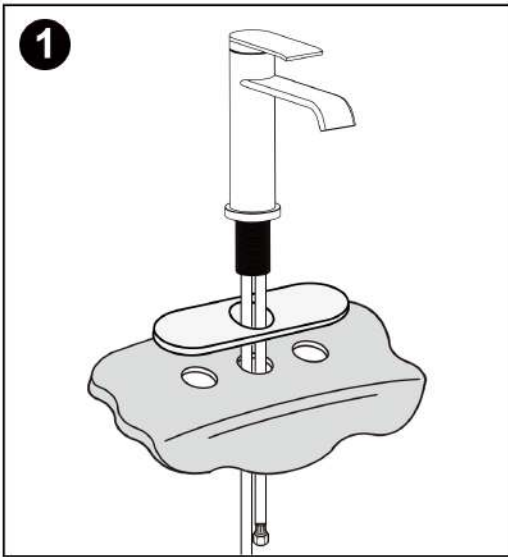
Note

- ★ Please read the instruction steps carefully before installation.
- ★ Please check components according to the part list in the manual. If any parts missing, please contact us.
- ★ Please pay more attention to the cleaning of this product. To clean, simply then wipe gently with a damp cloth and blot dry with a soft towel. Avoid touching sharp objects. Avoid using acidic detergent to touch the surface of faucet as it may cause corrosion.
- ★ If you have any problem with this purchase, please contact with us. Our Email: (dlem@pobosales.com), we will do whatever it takes to solve your issues.

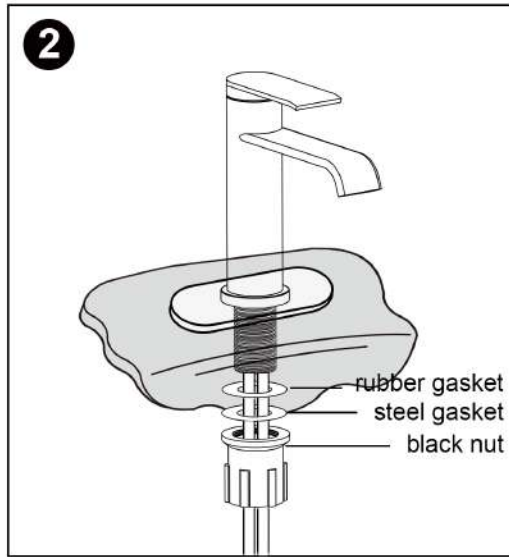
Faucet Installation Guide



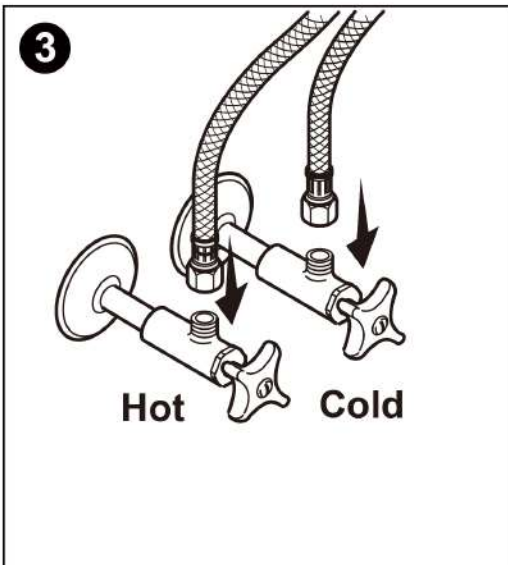
Faucet Installation Guide



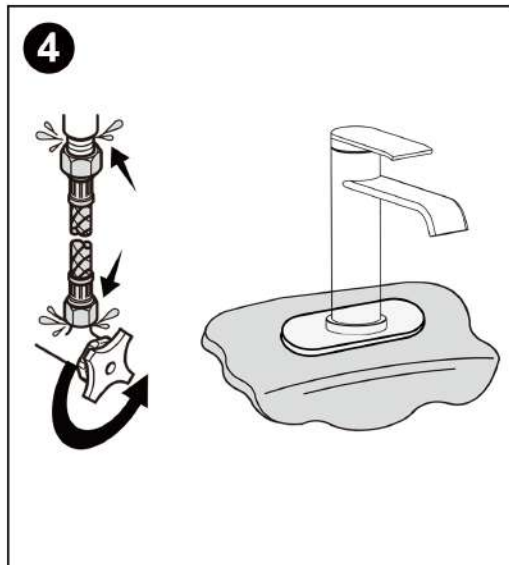
1. Insert the faucet into the sink opening. If the sink has three holes, use the hole cover deck.



2. Screw the black nut to the thread tube with rubber gasket and steel gasket.



3. Connect and tighten the supply hoses. (Just tighten it gently, excessive force will damage the hose)

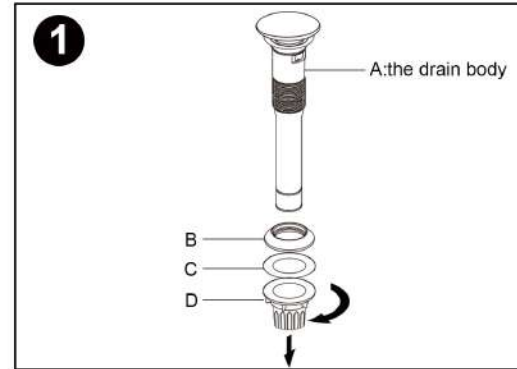


4. Turn on the water supply line valves. Check all connections for leaks.

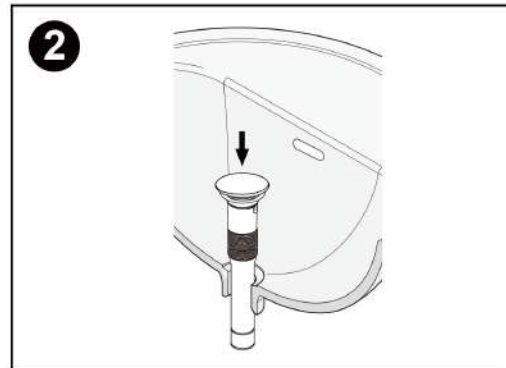
Pop-up Drain with Overflow Installation Guide

NOTES:

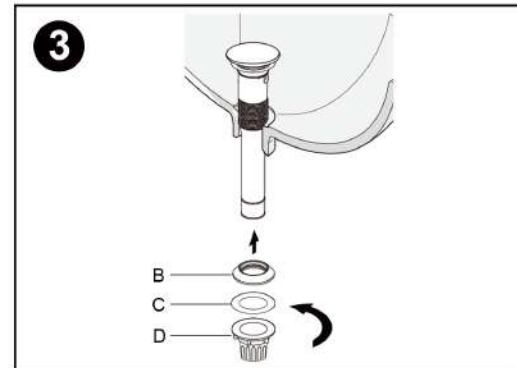
- Fits for sink WITH overflow hole.
- Clean the sink hole, make sure to remove debris.
- Please avoid using plumber's putty. The seal on top is leak-free. Plumber's putty might cause damage.
- Silicone and plumbing tape can be used for sealing requirement.



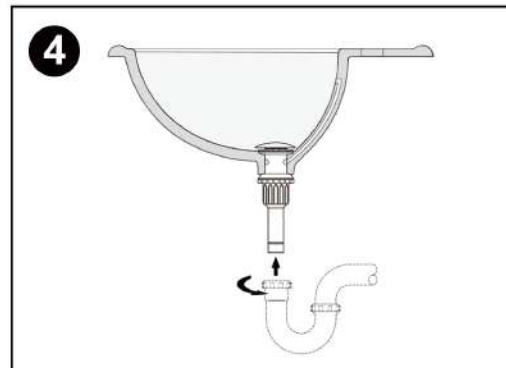
1. Unscrew components B&C&D.



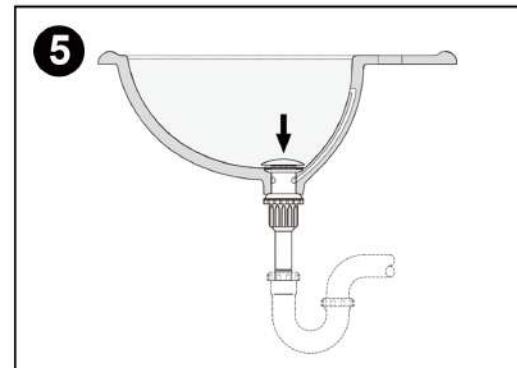
2. Insert the drain body A into the hole in the sink.



3. Screw components B&C&D back on as shown.



4. Connect the bottom end of the drain to the Drain Pipe.



5. Push to activate.