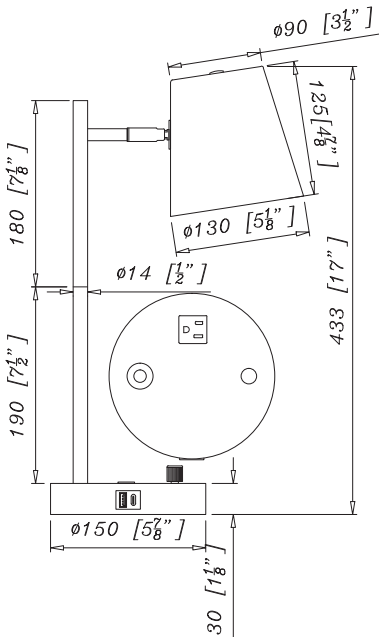


User Manual
Table Lamp

Introduction

Thank you for choosing table Lamp. Please read the user manual carefully and keep it for future reference. If you need further assistance, please contact customer support by email : anfbservice@outlook.com

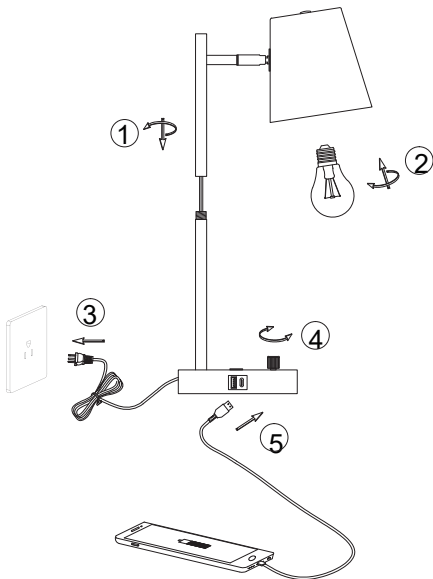
Product size



How to Install

There are only two steps for installation, please follow below installation guide

- 1) Connect the rods
- 2) install the bulb



Product Information

Model Number: MT18401

Voltage: 120V

Material: Metal

Bulb Base: E26

USB Outlet: 5V 2A (Max)

Bulb Information: A50 6W 3000K
(equivalent 60W incandescent)

RA: >80

Feature: Fully stepless dimming

Wire Length: 1500mm/59inches

Notice: USB+Type C outlet in total 5V 2A max, if both use at the same time, the ampere will be divided

How to Use

When plugging the table lamp in, just simply rotating the knob to gradually dim the favorite lighting for you

Precautions

- * Please check the product is in good condition before installation.
- * Please ensure the power off before wiring and installing.
- * Please use this product for indoor only.
- * Don't use in moisture place or any electric danger place.
- * This lamp suitable for 1 20V voltage, don't use it in other voltage situation.

Guarantee

Table Lamp is backed by **36 MONTHS** product warranty. Our table lamps come with FCC, CE, RoHS certified, and we offer excellent after-sale service. For questions, assistance, or support please contact the Customer Service by e-mail with your order number and product model number.

(E-mail: anf1service@outlook.com) We will send you further information about the return or the exchange.