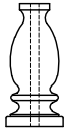


ASSEMBLY INSTRUCTIONS - MARIN

PARTS INCLUDED IN PACKAGE



METAL RISER

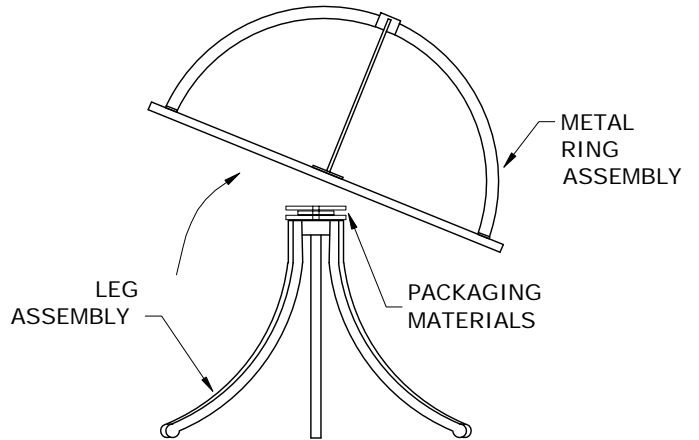


ROD

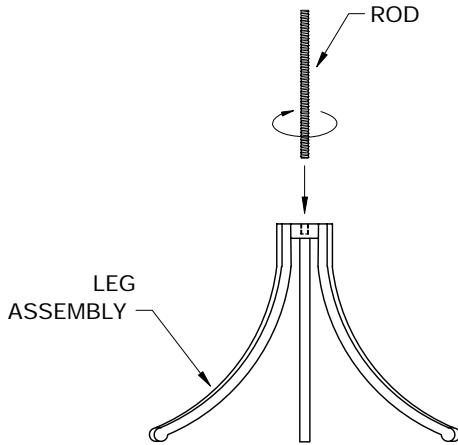


3 LEVELING PADS

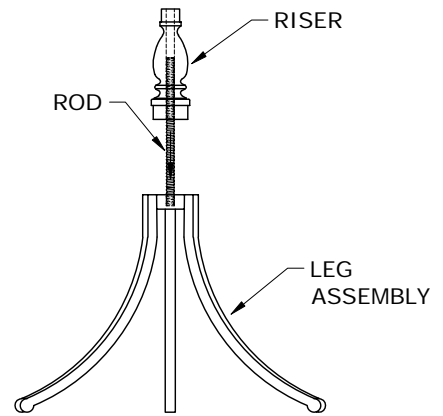
- ① CUT PLASTIC TIES AND REMOVE METAL RING ASSEMBLY FROM LEG ASSEMBLY. DISPOSE OF PACKAGING MATERIALS.



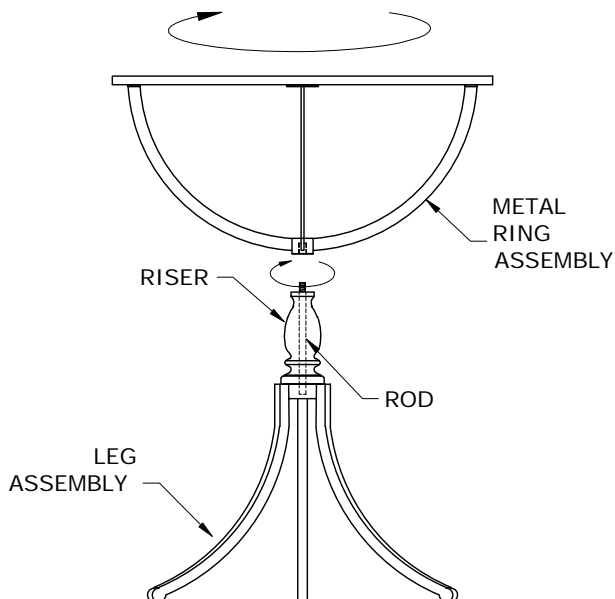
- ② ATTACH ROD TO LEG ASSEMBLY BY TURNING IT CLOCKWISE.



- ③ SLIDE METAL RISER OVER ROD.



- ④ SCREW THE METAL RING ASSEMBLY TO THE RISER BY TURNING IT AS SHOWN.



- ⑤ PLACE GLOBE BALL INTO SLOTS ON METAL RING.

