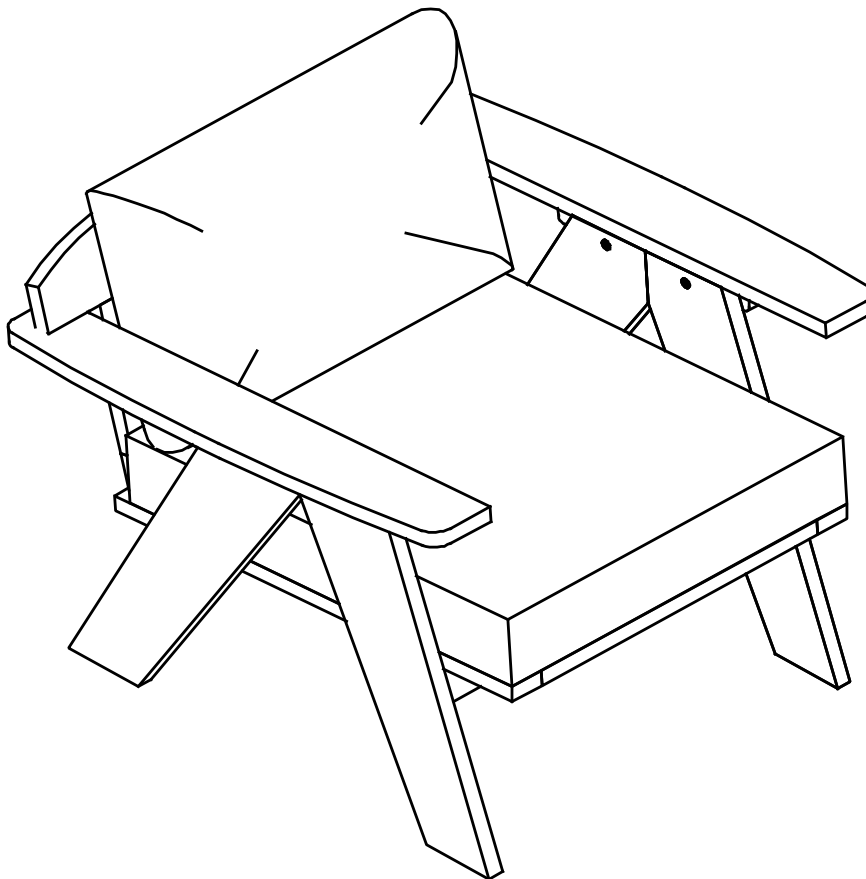


Assembly Instructions

Caution: You must read these Assembly Instructions before you proceed

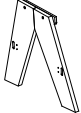
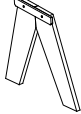
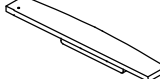
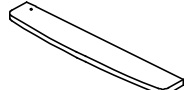
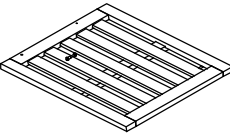
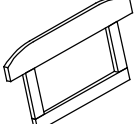
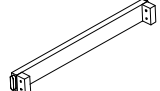
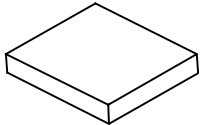

Please look in the Seat Panel for hardware packs.

Chair









CAUTION: This Chair is NOT a TOY.
Keep your child / children at bay during the assembly process.
Whenever lifting or moving the Chair and to prevent any damage to it, two adults may be needed to execute these actions.

Part List

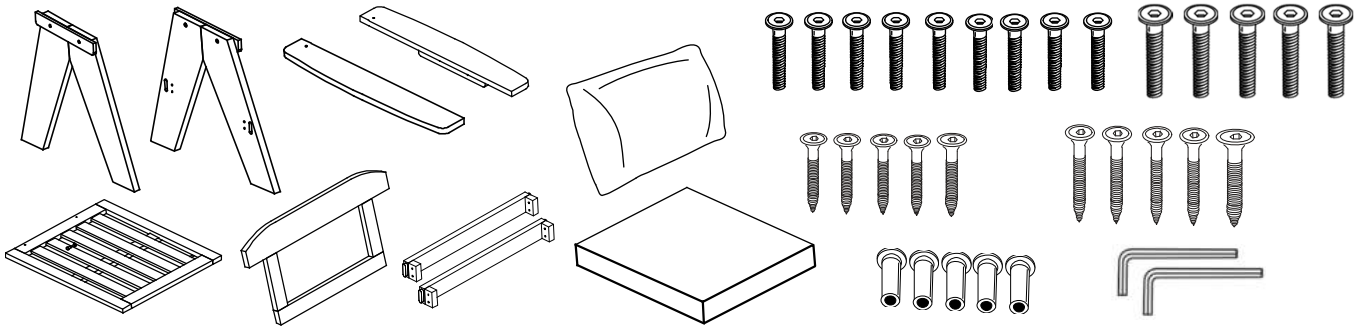
Label	Picture	Description	QTY
A		Right Leg Panel	1
B		Left Leg Panel	1
C		Right Armrest Panel	1
D		Left Armrest Panel	1
E		Seat Panel	1
F		Backrest Panel	1
G		Support Bar	2
H		Seat Cushion	1
I		Back Cushion	1

Hardware

Label	Picture	Description	QTY
①		Bolt (M6x35mm)	9
②		Bolt (M6x45mm)	5
③		Screw (M6x50mm)	5
④		Screw (M6x70mm)	5
⑤		Sleeve Nut (M6x15mm)	5
⑥		Allen Wrench	2

Assembly Preparation

Before Beginning Assembly:



- Read instructions, cover to cover-



- Have 2 adults on hand for assembly-



- Do not assemble on flooring or carpet-



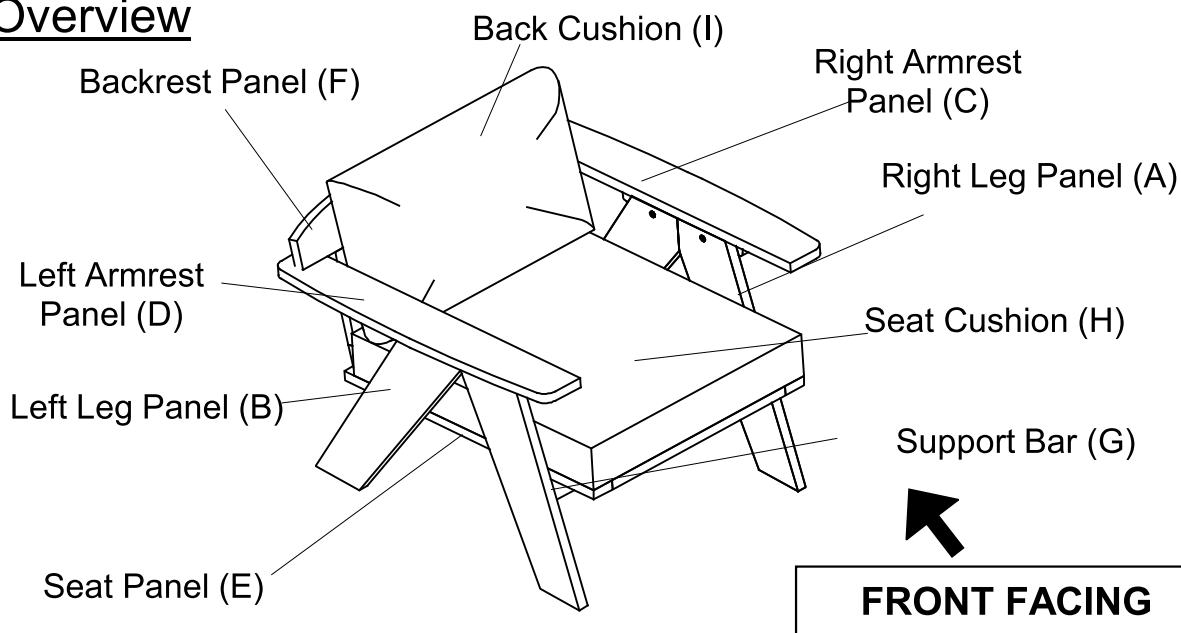
- Assemble on a clean non-marring surface (packing foam)-



- Save all packaging until finished-

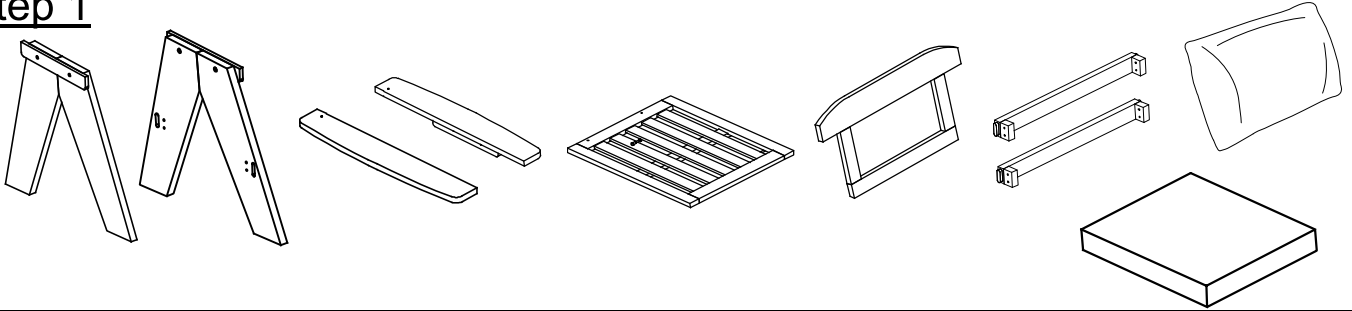
Assembly Steps

Overview



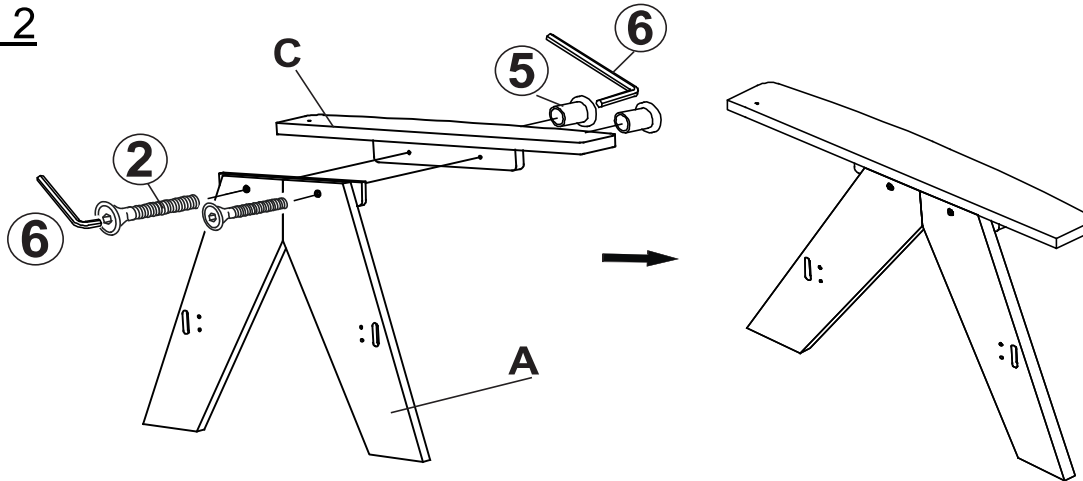
This Chair has multiple parts and may require up to 30 minutes to assemble. To give you an overview of the Chair parts, the above picture is provided to help you put the various parts into perspective. Please read through the instructions below to familiarise yourself with the parts and steps before assembly.

Step 1



Unpack and place all parts on a clean, non-marring surface.

Step 2

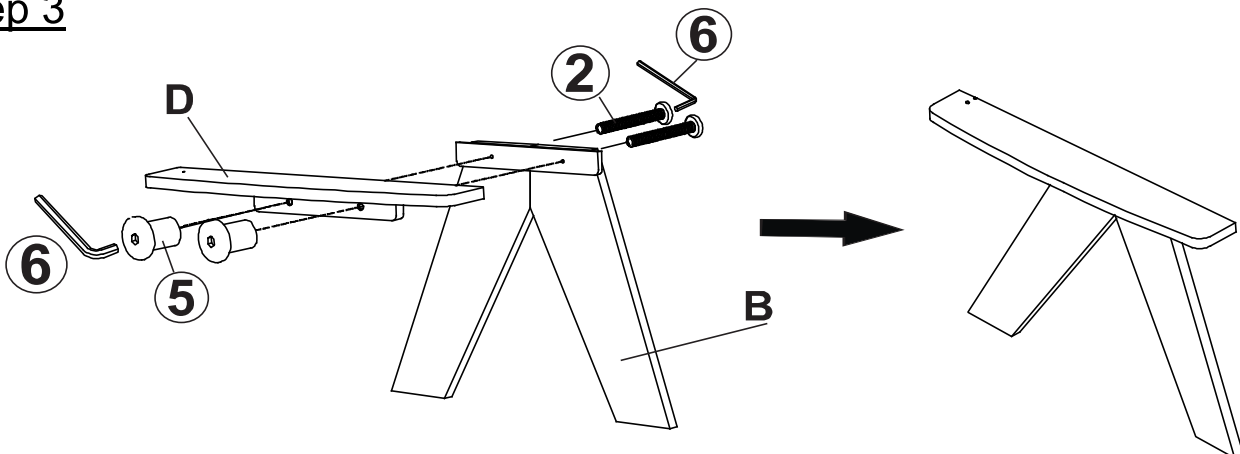


Place the Right Leg Panel (A) upright as shown in the picture above onto a clean, soft surface to avoid any scratches or damage to the product.

With assistance from your adult partner, attach the Right Leg Panel (A) to the Right Armrest Panel (C) using Bolts (2), Sleeve Nuts (5) and the Allen Wrench (6) as shown above.

Do not fully tighten the Bolts at this time.

Step 3

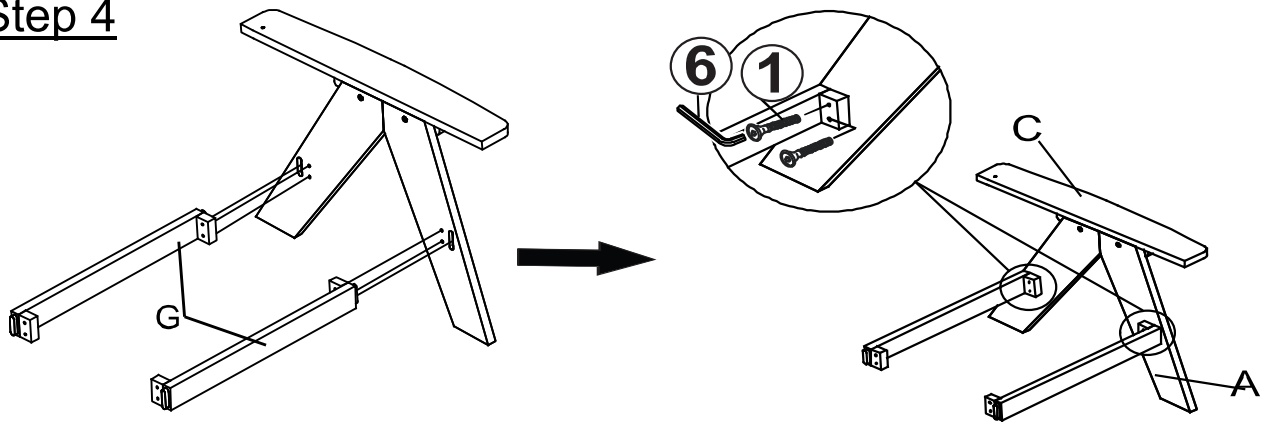


Place the Left Leg Panel (B) upright as shown in the picture above onto a clean, soft surface to avoid any scratches or damages to the product.

With assistance from your adult partner, attach the Left Leg Panel (B) to the Left Armrest Panel (D) using Bolts (2), Sleeve Nuts (5) and the Allen Wrench (6) as shown above.

Do not fully tighten the Bolts at this time.

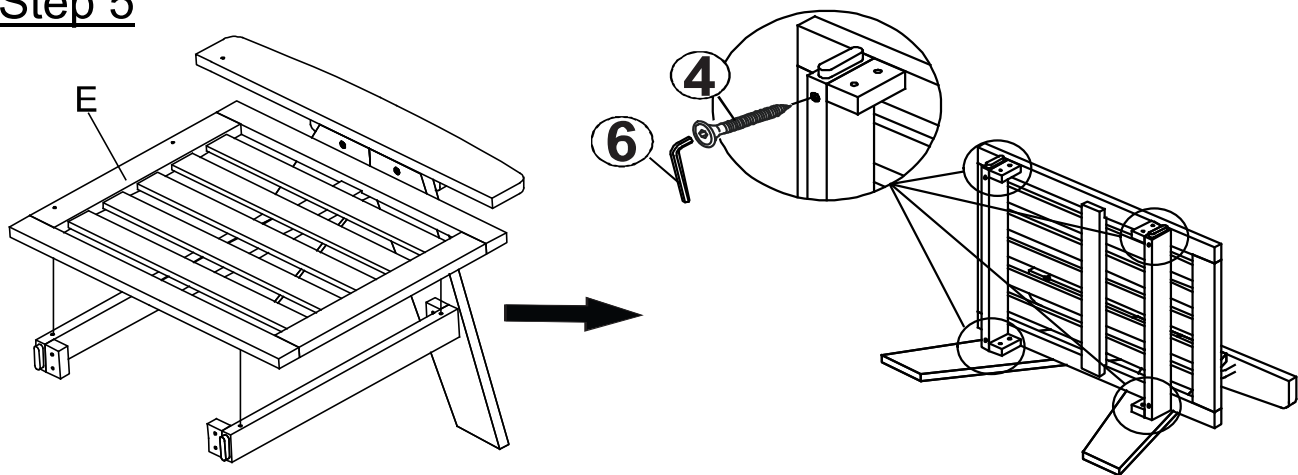
Step 4



Attach the Support Bar (G) to the assembled parts in step 2 using Bolts (①) and the Allen Wrench(⑥) as shown above.

Do not fully tighten the Bolts at this time.

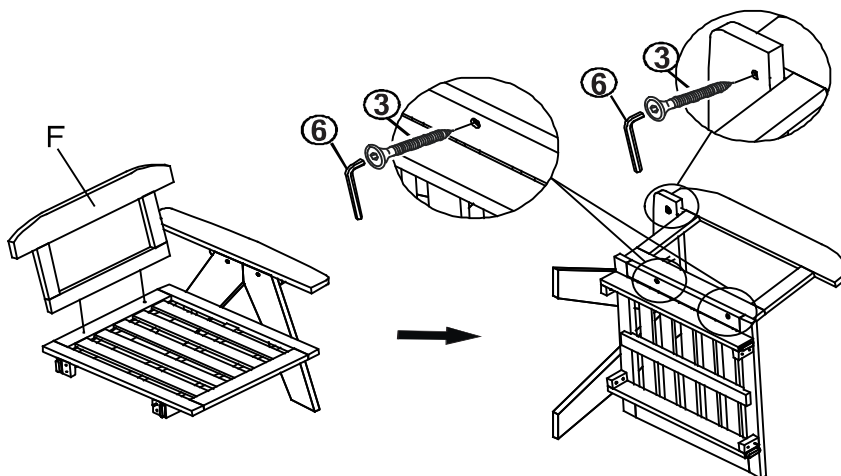
Step 5



With assistance from your adult partner, attach the Seat Panel (E) onto the assembled parts in step 4 using Screws(④) and the Allen Wrench(⑥) as shown in the above picture

Do not fully tighten the Screws at this time.

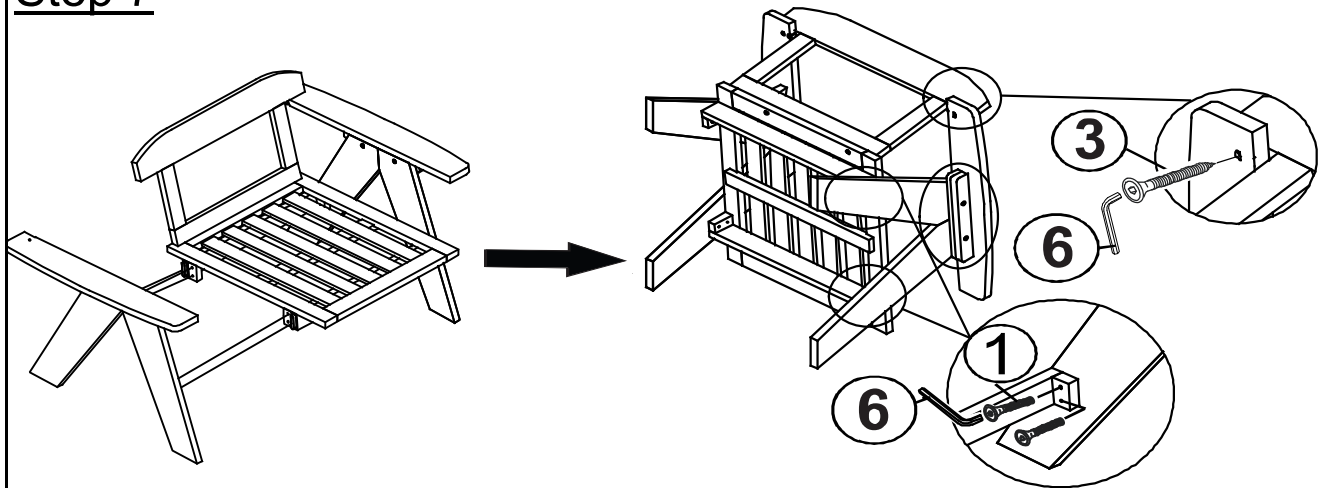
Step 6



With assistance from your adult partner, attach the Backrest Panel (F) onto the assembled parts in step 5 using Screws(③) and the Allen Wrench(⑥).

Do not fully tighten the Screws at this time.

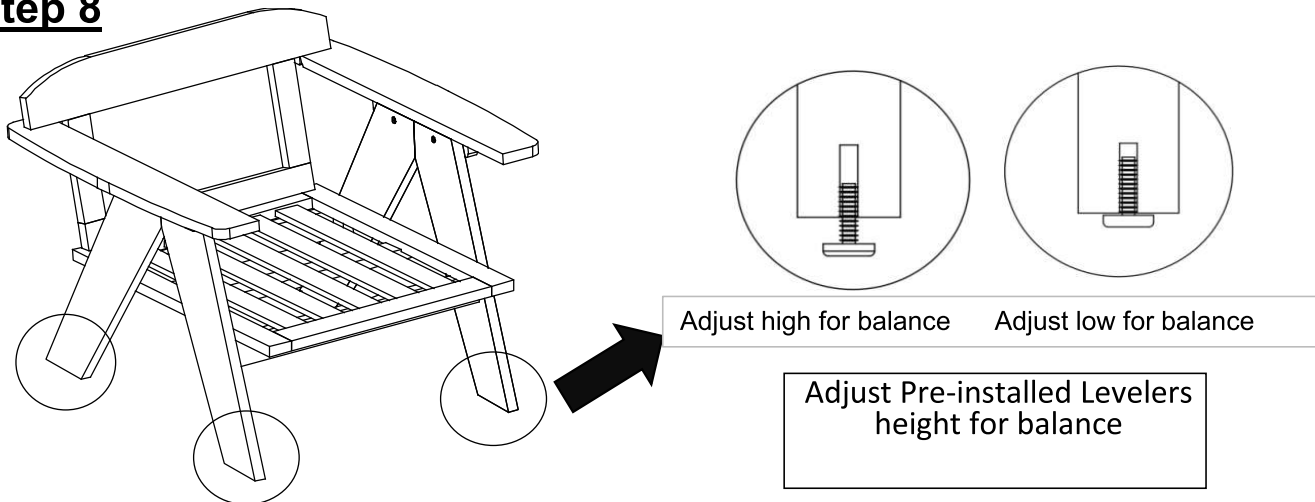
Step 7



With assistance from your adult partner, attach the assembled parts in step 3 onto the assembled parts in step 6 using Bolts (①), Screw(③), and the Allen Wrench(⑥).

Do not fully tighten the Bolts, Screw at this time

Step 8



Turn the Chair right side up.

Inspect the Chair and make sure all parts are adequately connected.

In a sequential manner, tighten all Screws and Bolts at all joints.

With assistance from your adult partner, adjust the Levelers to the desired height to avoid wobbles.

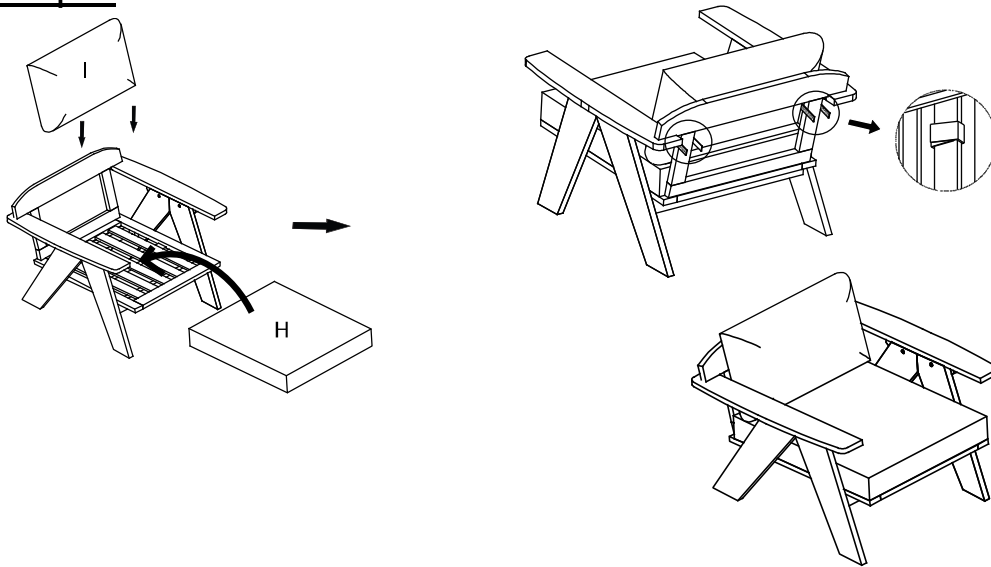
The chair is ready to be used.

CAUTION : When tightening these screws and bolts, tighten sequentially.

DO NOT tighten any screw or bolt fully and then move towards the next one. This could cause the frame to warp.

WARNING!! IF THE chair IS NOT STABLE , IT COULD LEAD TO DAMAGE OF THE PRODUCT.

Step 9












Place the Seat Cushion (H) and the Back Cushion (I) into the Chair, and affix the magic tape straps around the Chair as shown above.

Your Chair is ready to be used.

This Chair can only be used on a flat, level surface.

Care & Maintenance

-  Do not put hot items directly on furniture surface
 -  Do not clean furniture with harsh cleansers or polish.
 -  To obtain the longest lifespan of your outdoor products, minimizing exposure to direct sunlight is recommended.
 -  Children should not climb or jump on the furniture.
 -  Do not write on furniture without a padded barrier to protect the surface.
 -  To obtain the longest lifespan of your outdoor products, avoid extended and lengthy exposure to rain, snow, and direct sunshine. Whenever possible cover the product and /or place under patio or awnings.
 -  Not for commercial use. For residential use only .
 -  Stains may be removed with mild soap solution and damp cloth.
-
-  Dust and pick-up spills using a clean, non-colored, lint-free cloth .