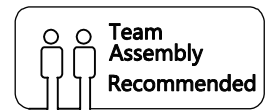
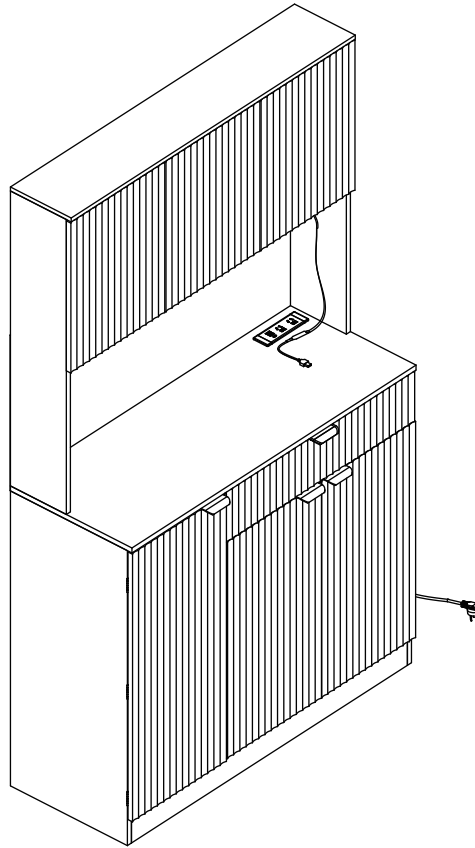


Installation Manual



Trouble shooting:

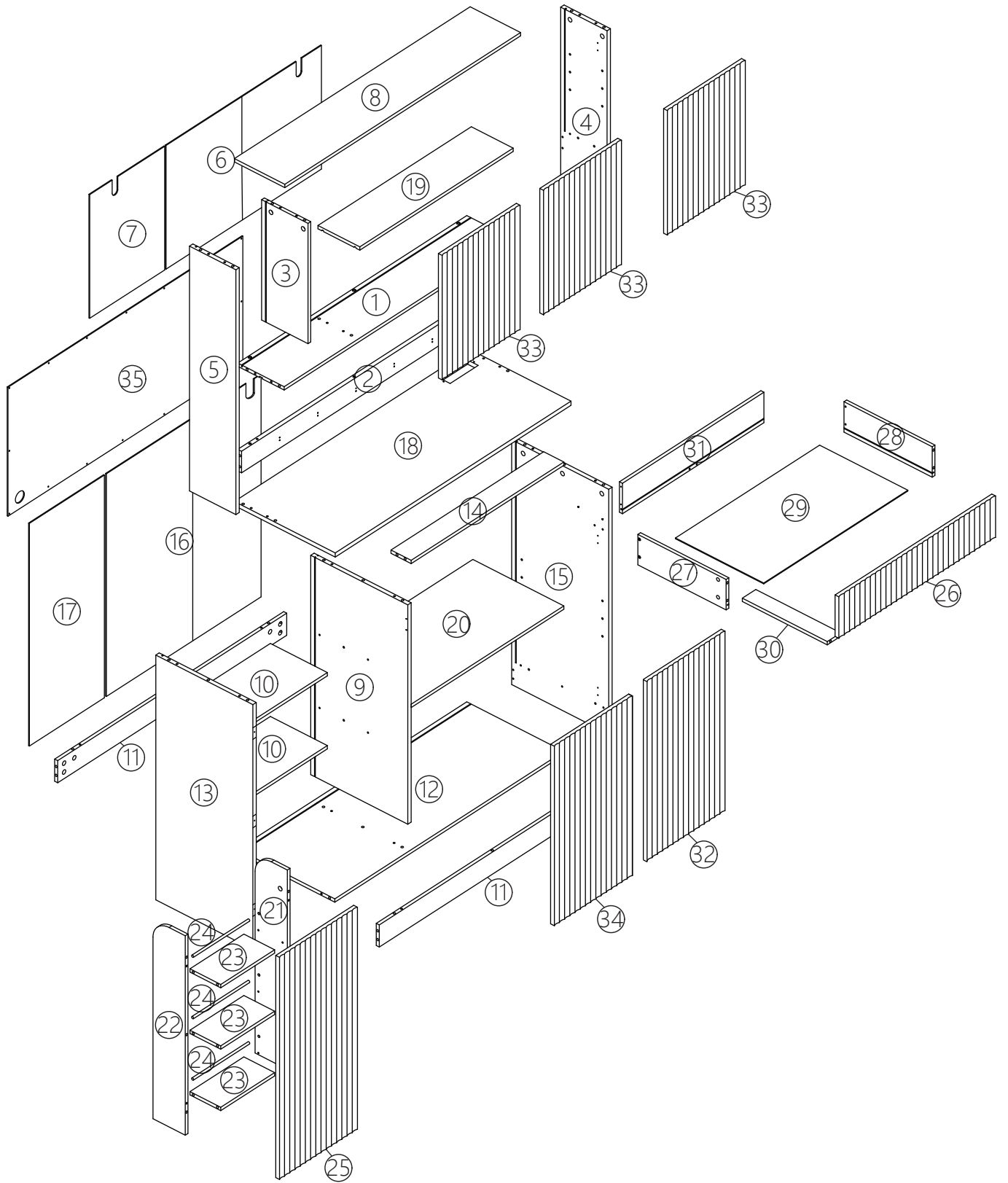
Missing / Wrong / Broken parts and installation issues



Respond within 24 hours

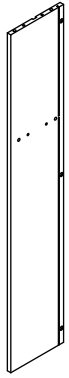


Issue resolved



Note: Don't tighten all screws during installation.

Components (A) ▲



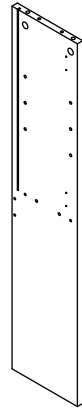
① x1PC



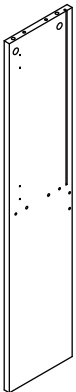
② x1PC



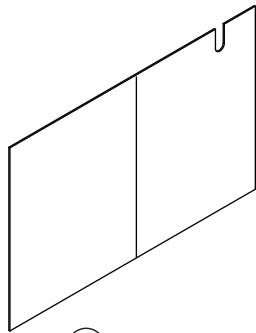
③ x1PC



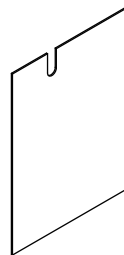
④ x1PC



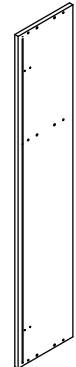
⑤ x1PC



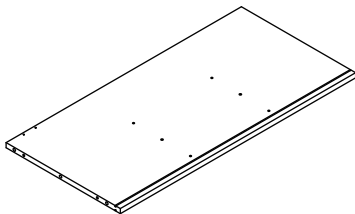
⑥ x1PC



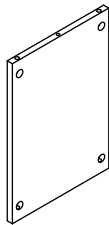
⑦ x1PC



⑧ x1PC



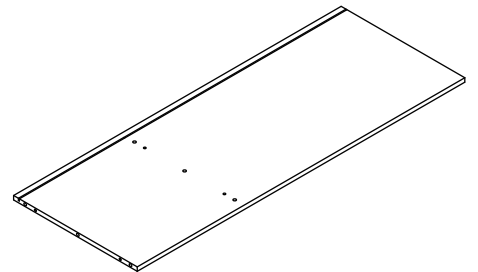
⑨ x1PC



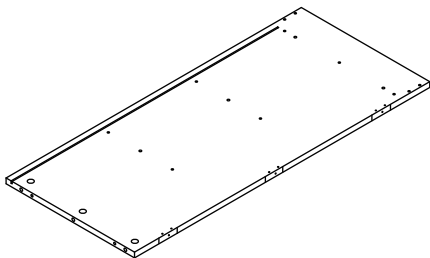
⑩ x2PC



⑪ x2PC



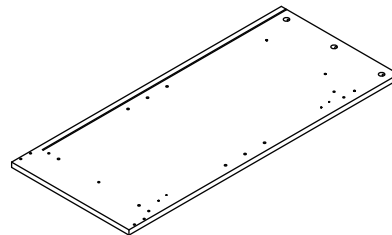
⑫ x1PC



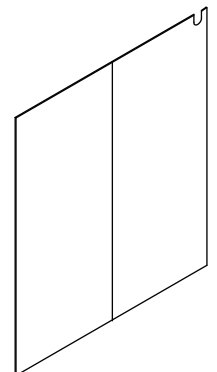
⑬ x1PC



⑭ x1PC

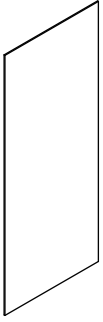


⑮ x1PC

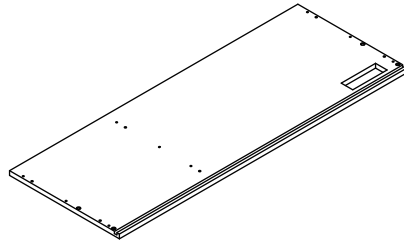


⑯ x1PC

Components (B) ▲



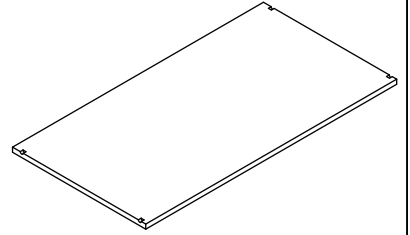
⑰ x1PC



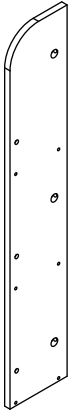
⑱ x1PC



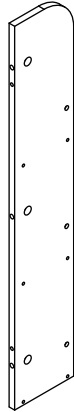
⑲ x1PC



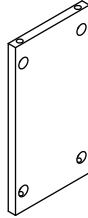
⑳ x1PC



㉑ x1PC



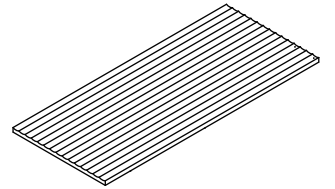
㉒ x1PC



㉓ x3PC



㉔ x3PC



㉕ x1PC



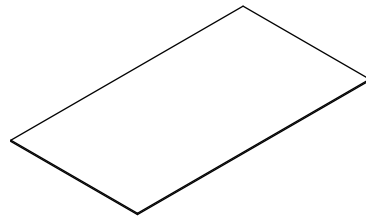
㉖ x1PC



㉗ x1PC



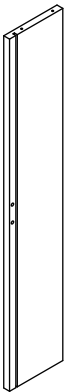
㉘ x1PC



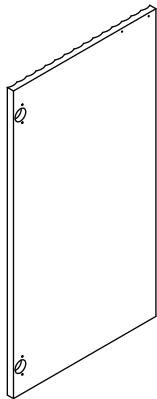
㉙ x1PC



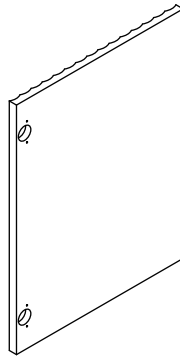
㉚ x1PC



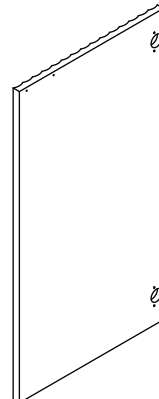
㉛ x1PC



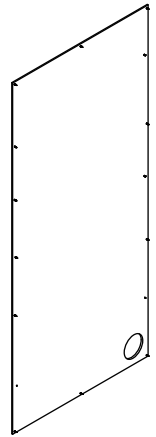
㉜ x1PC



㉝ x3PC






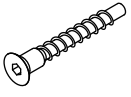
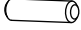

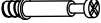


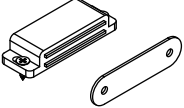
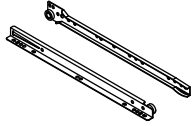
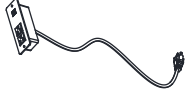

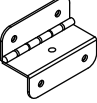
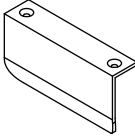
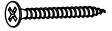
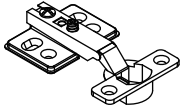
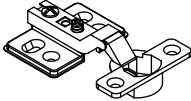








㉞ x1PC



㉟ x1PC

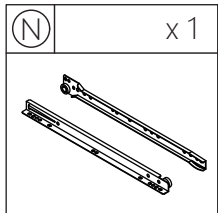
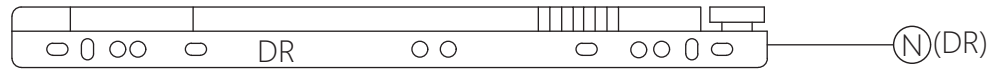
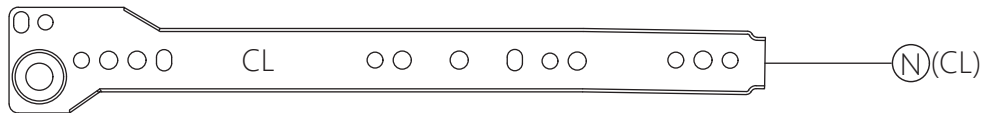
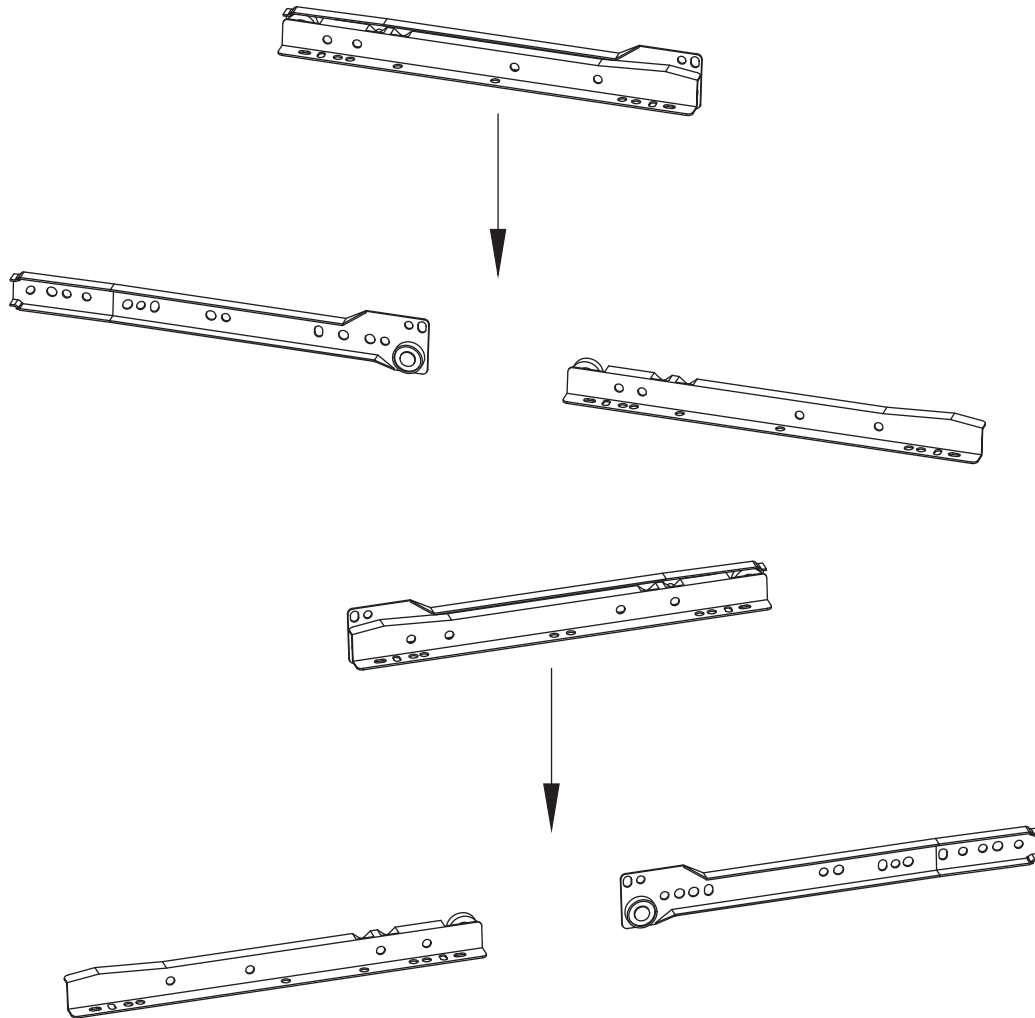
Screws & Tools

(A) x 8+2 	(B) x 119+28  M3x12	(C) x 1 	(D) x 12  M3.5x12	(E) x 5 	(F) x 12  M7x50
(G) x 42+2  ϕ 6x30	(H) x 1  M4	(J) x 79+8 	(K) x 79+8  ϕ 15x9.5	(L) x 2 	(M) x 1 
(N) x 1 	(P) x 1 	(Q) x 8  ϕ 5x16	(R) x 3 	(S) x 4 	(T) x 6  M4x30
(U) x 6 	(V) x 4 	(W) x 16 	(X) x 2 	(Y) x 2 	(Z) x 4  M3.5x12
(AB) x 4 	(AC) x 8+2 				

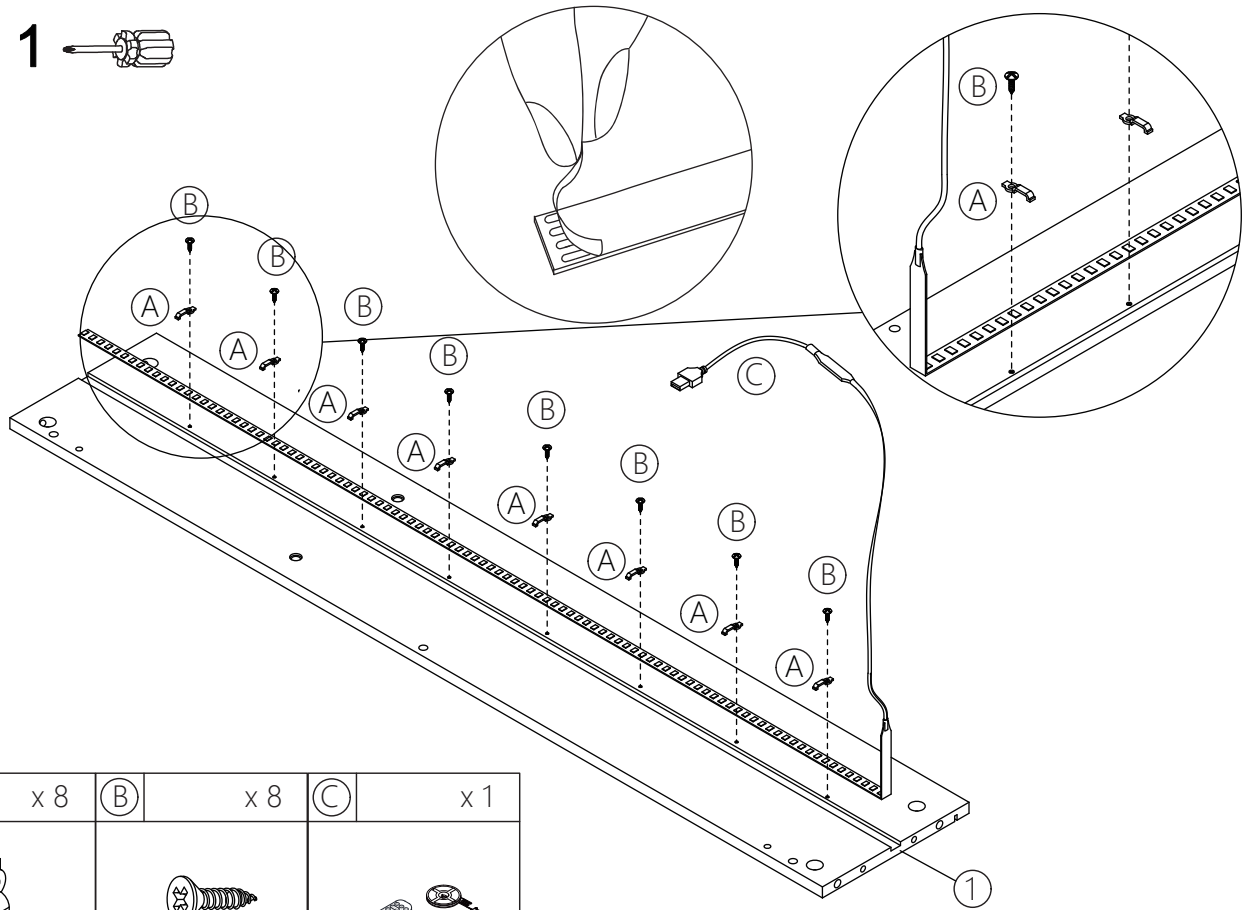
Check all the components & screws before assembly.
 Do not install in case part is missing, contact us to get.




HARDWARE LIST

A pair of drawer guides in four parts.

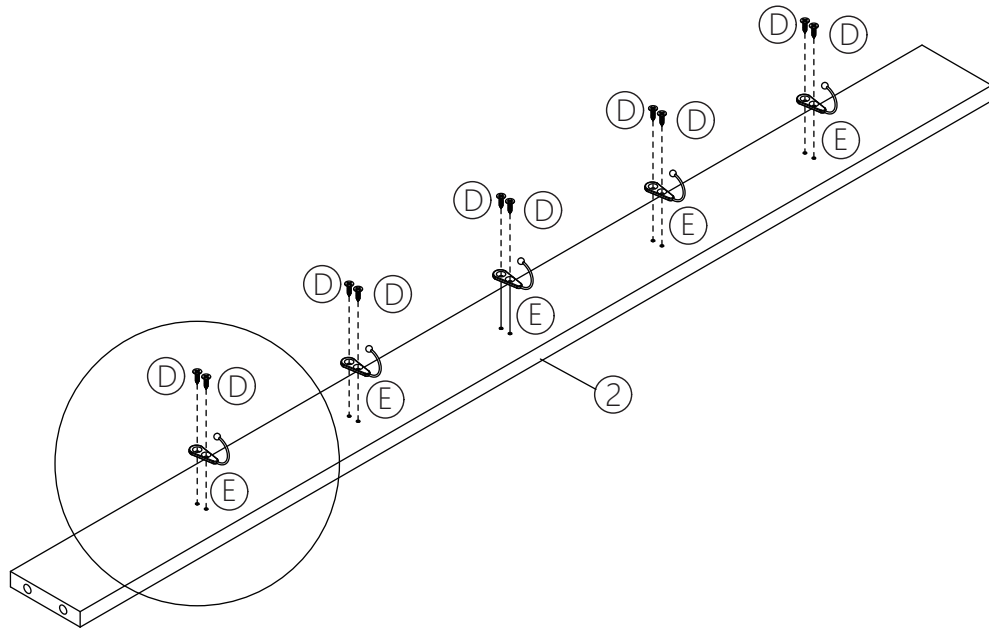




Step 1



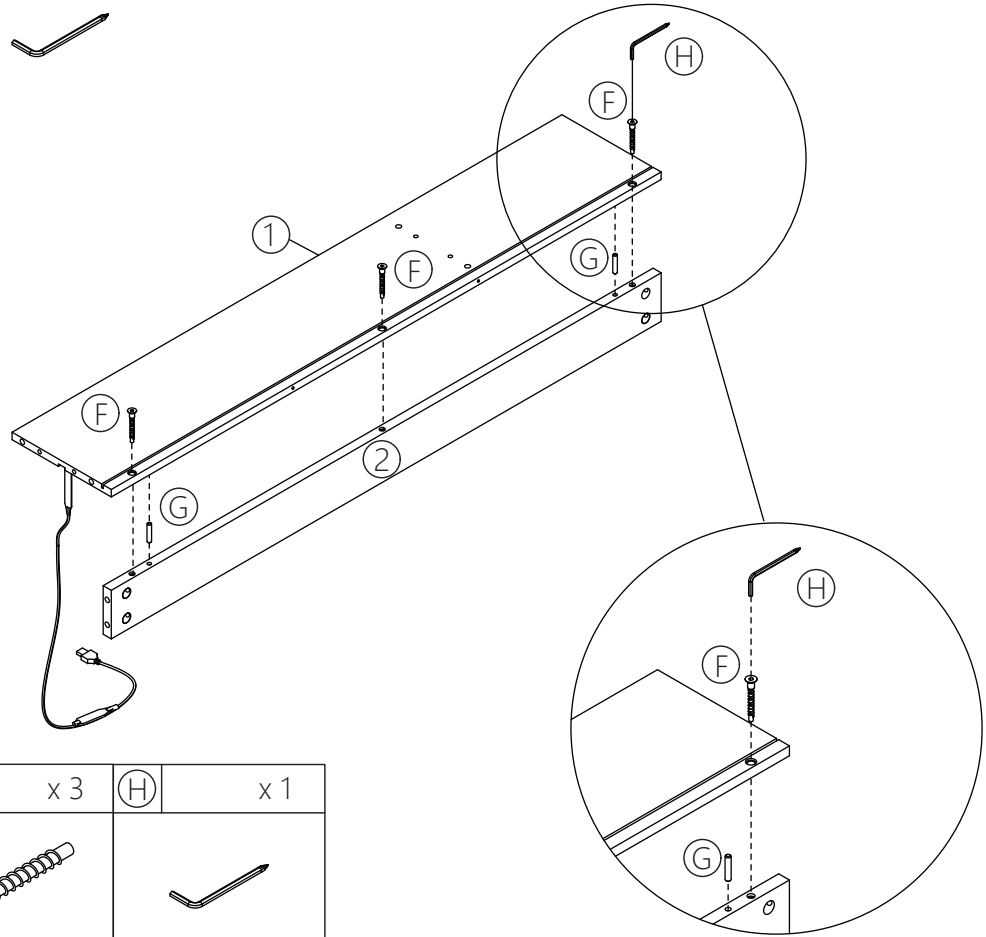
(A)	x 8	(B)	x 8	(C)	x 1
		 M3x12			

Step 2



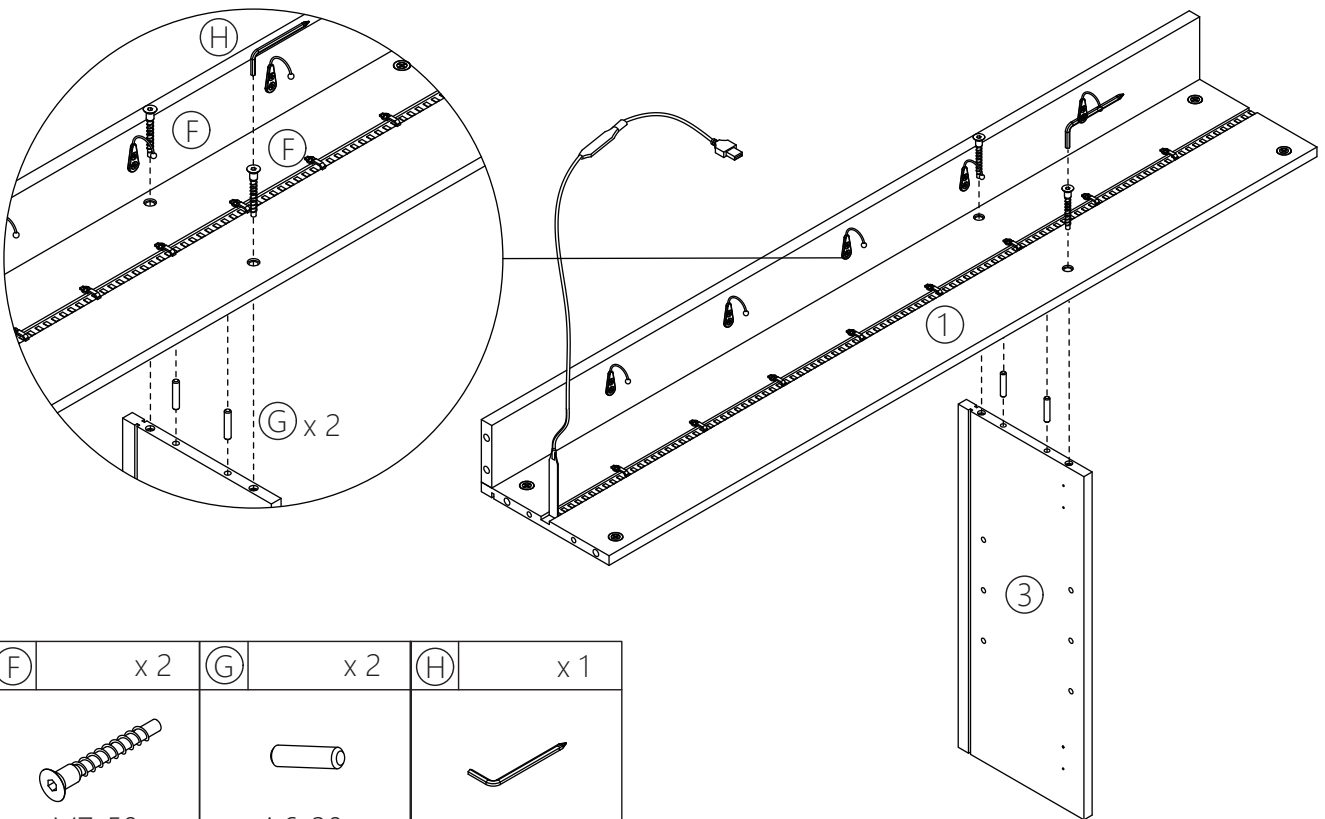
(D)	x 10	(E)	x 5
 M3.5x12			

Step 3



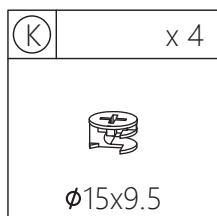
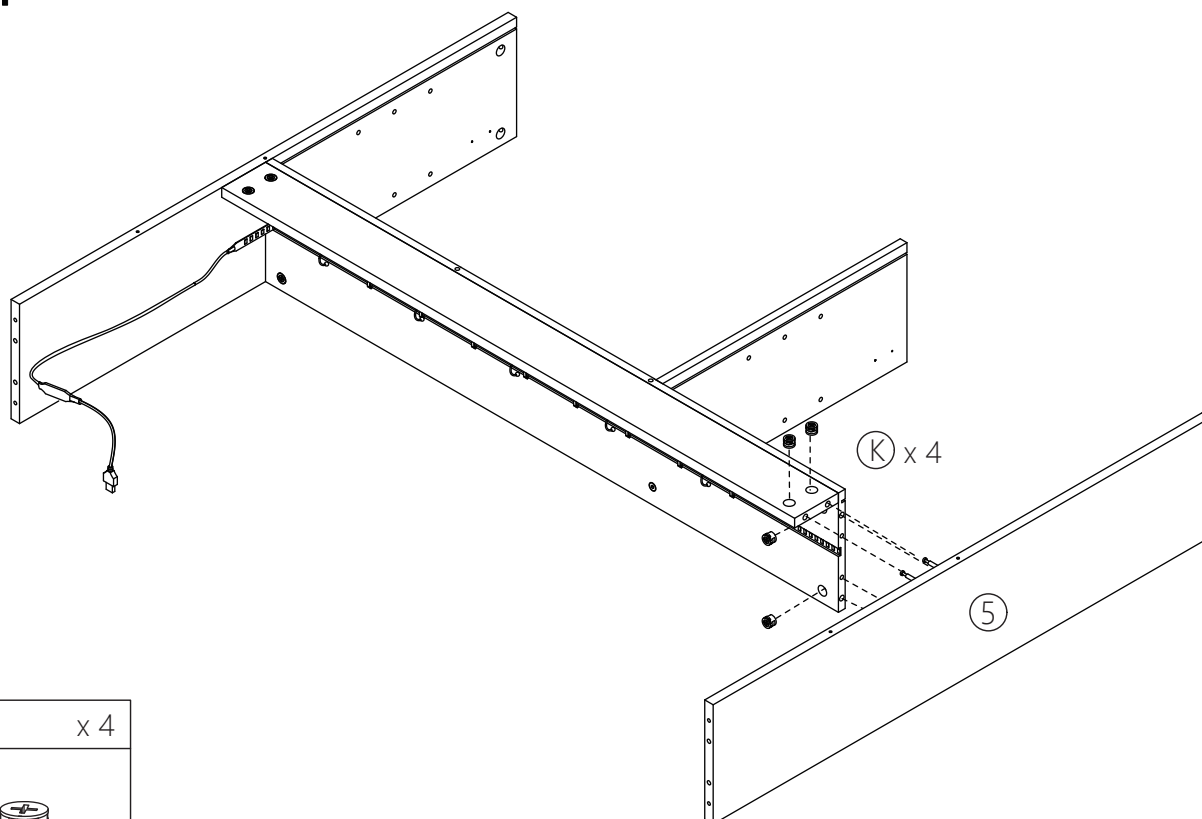
(G)	x 2	(F)	x 3	(H)	x 1
∅ 6x30		M7x50		M4	

Step 4

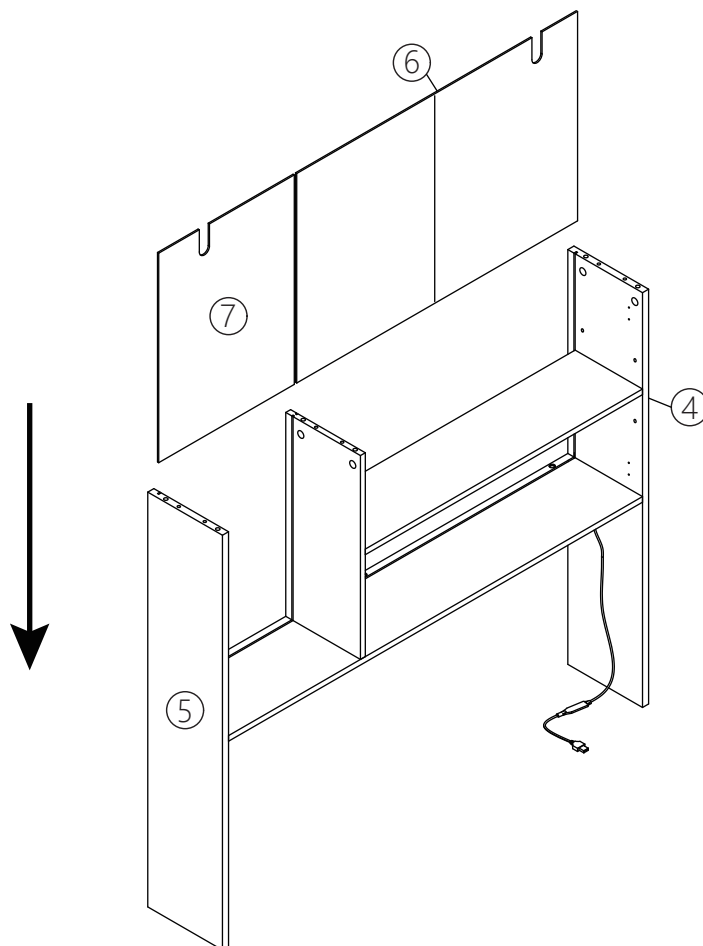


(F)	x 2	(G)	x 2	(H)	x 1
M7x50		∅ 6x30		M4	

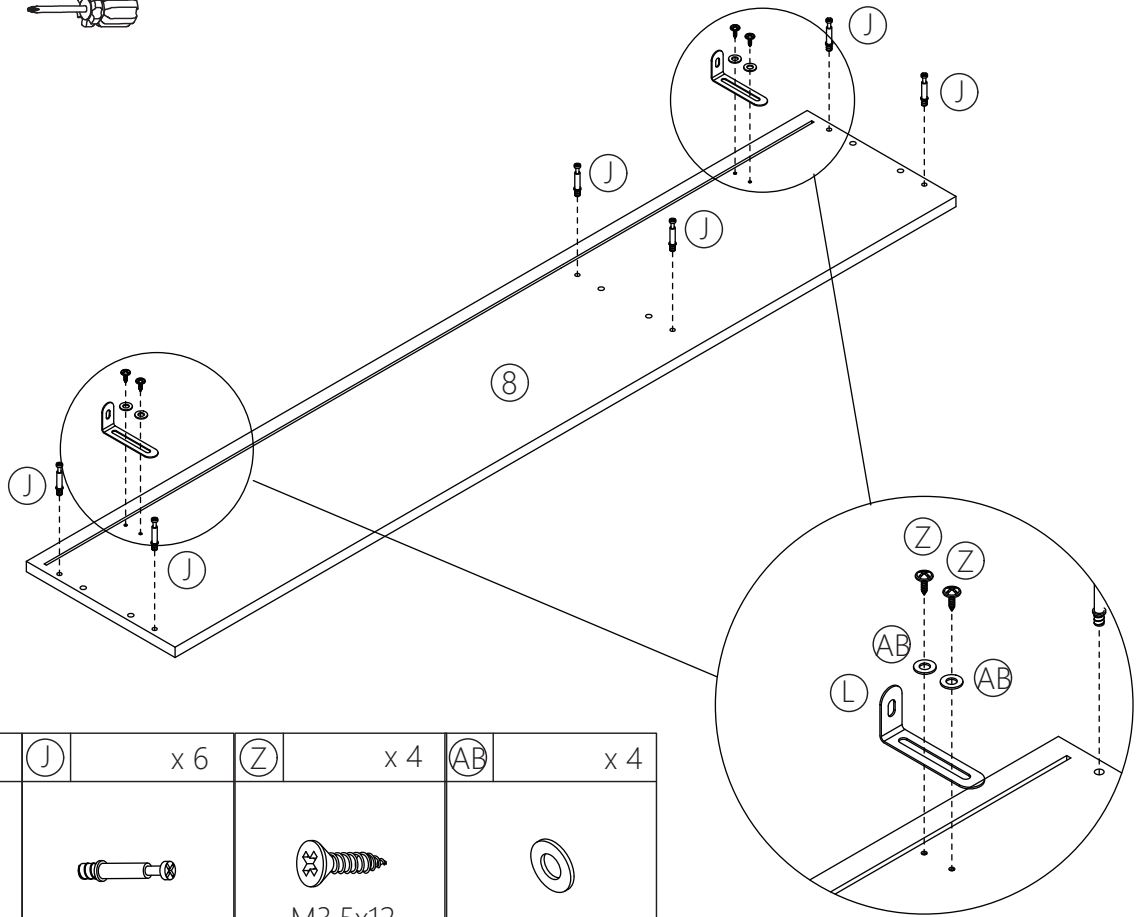
Step 7


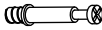




Step 8

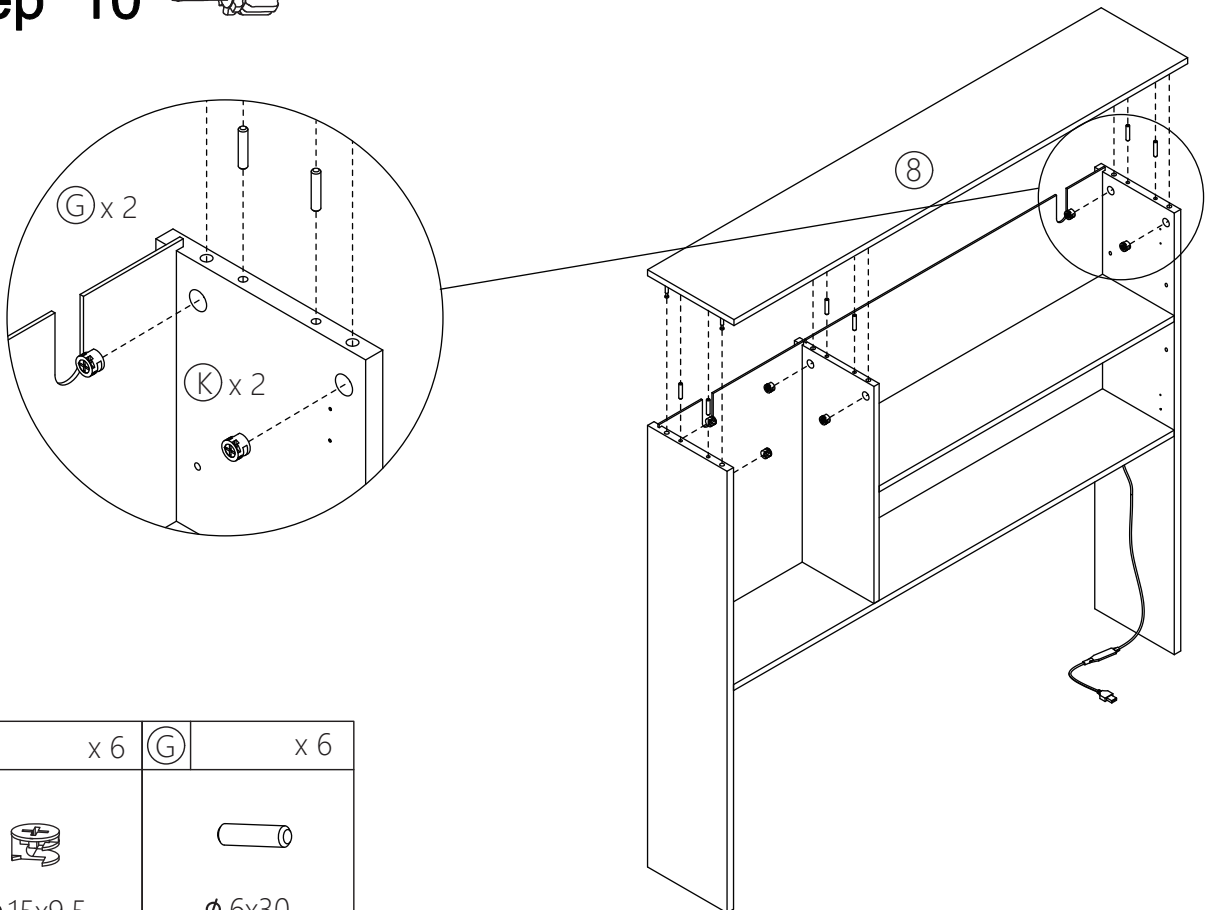



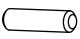
Step 9



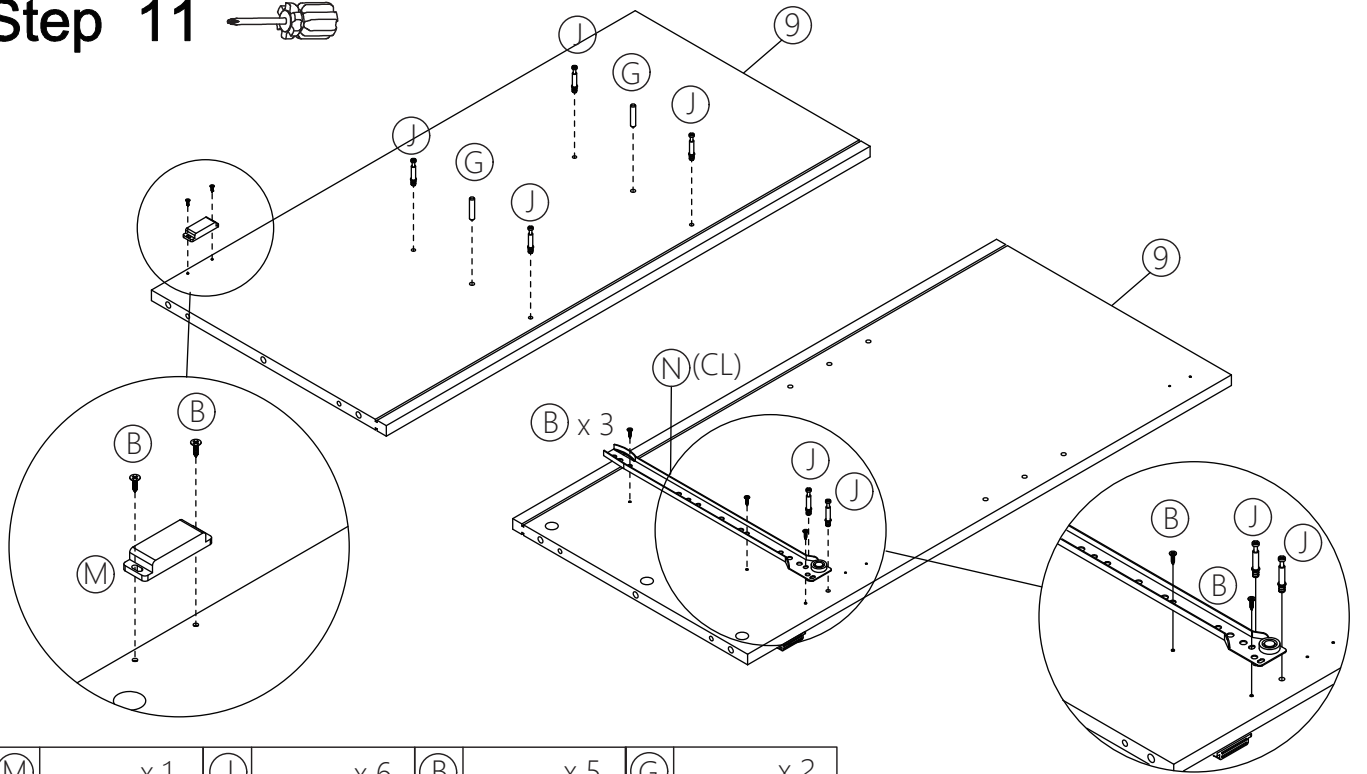
(L)	x 2	(J)	x 6	(Z)	x 4	(AB)	x 4
							
				M3.5x12			

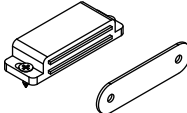



Step 10

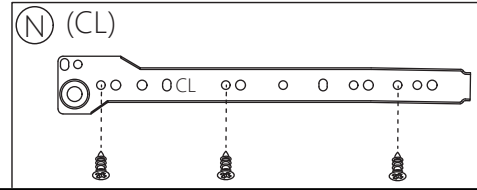


(K)	x 6	(G)	x 6
			
φ 15x9.5		φ 6x30	

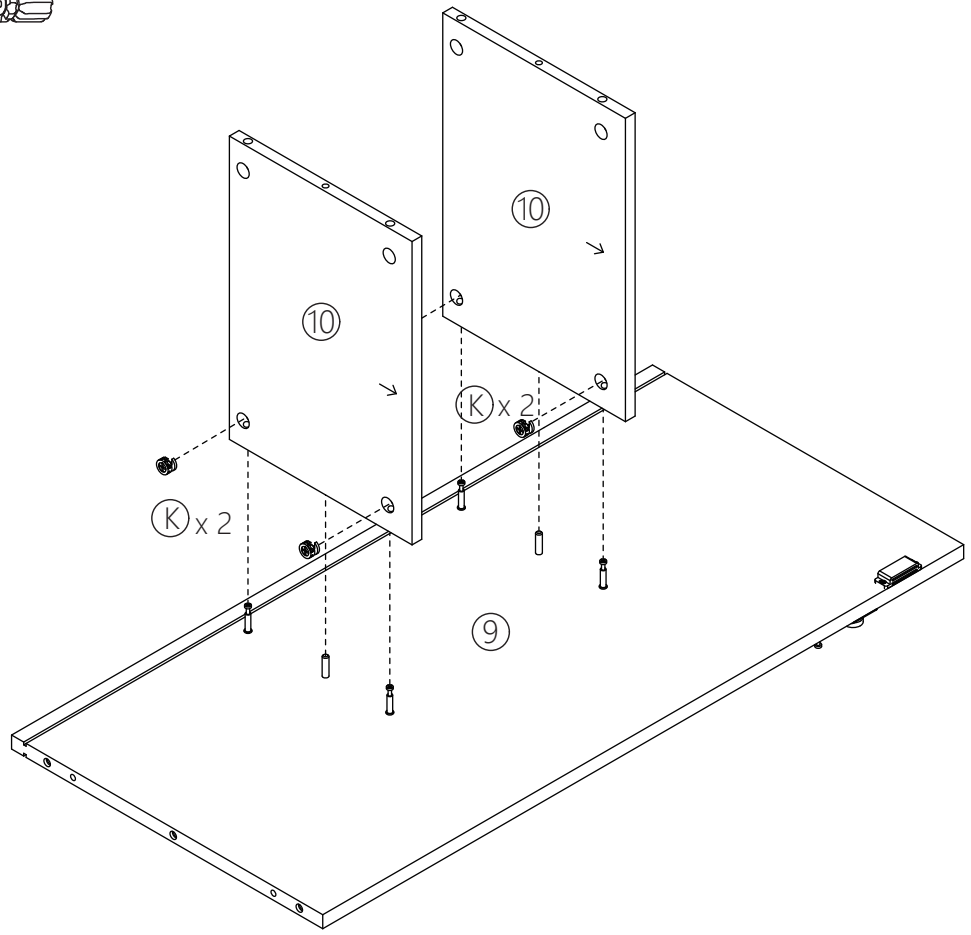
Step 11




(M)	x 1	(J)	x 6	(B)	x 5	(G)	x 2
							
				M3x12		∅6x30	

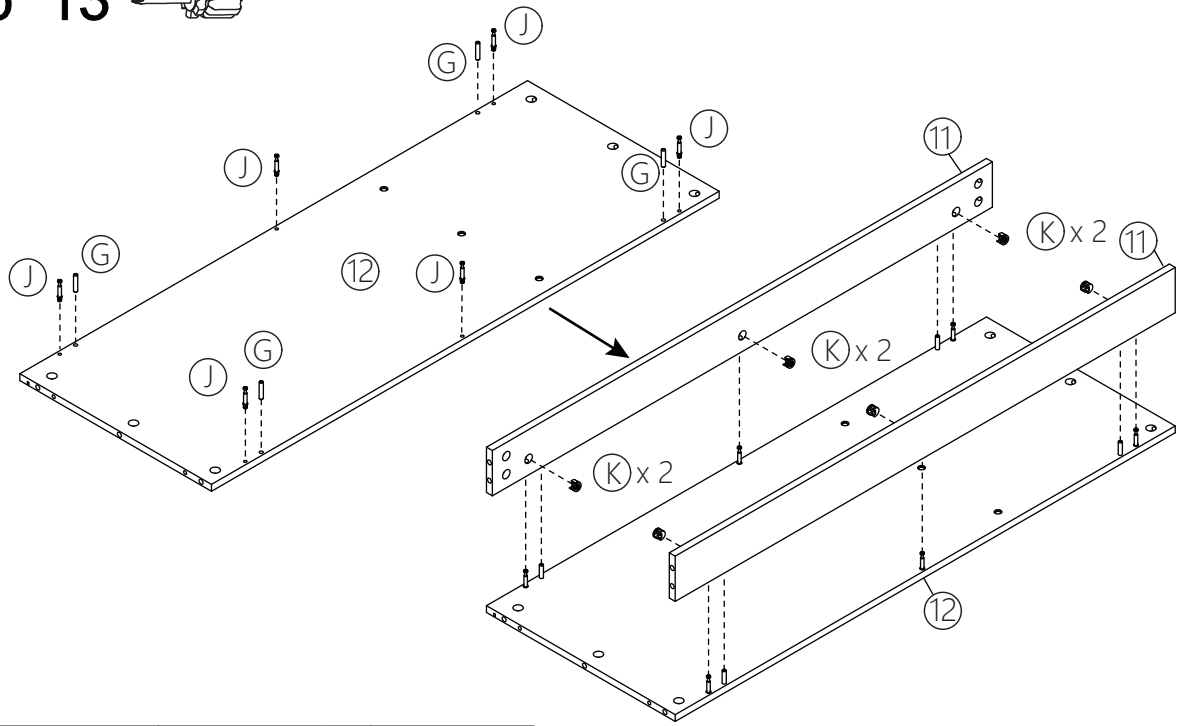



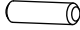

Step 12



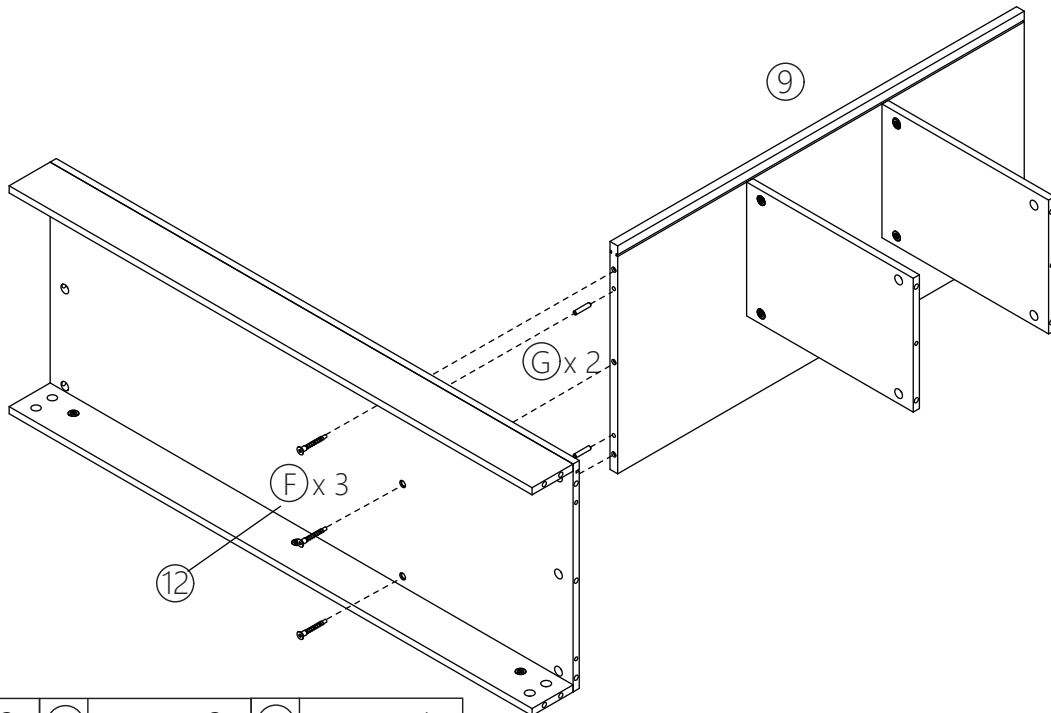
(K)	x 4
	
∅15x9.5	

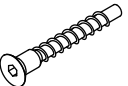


Step 13



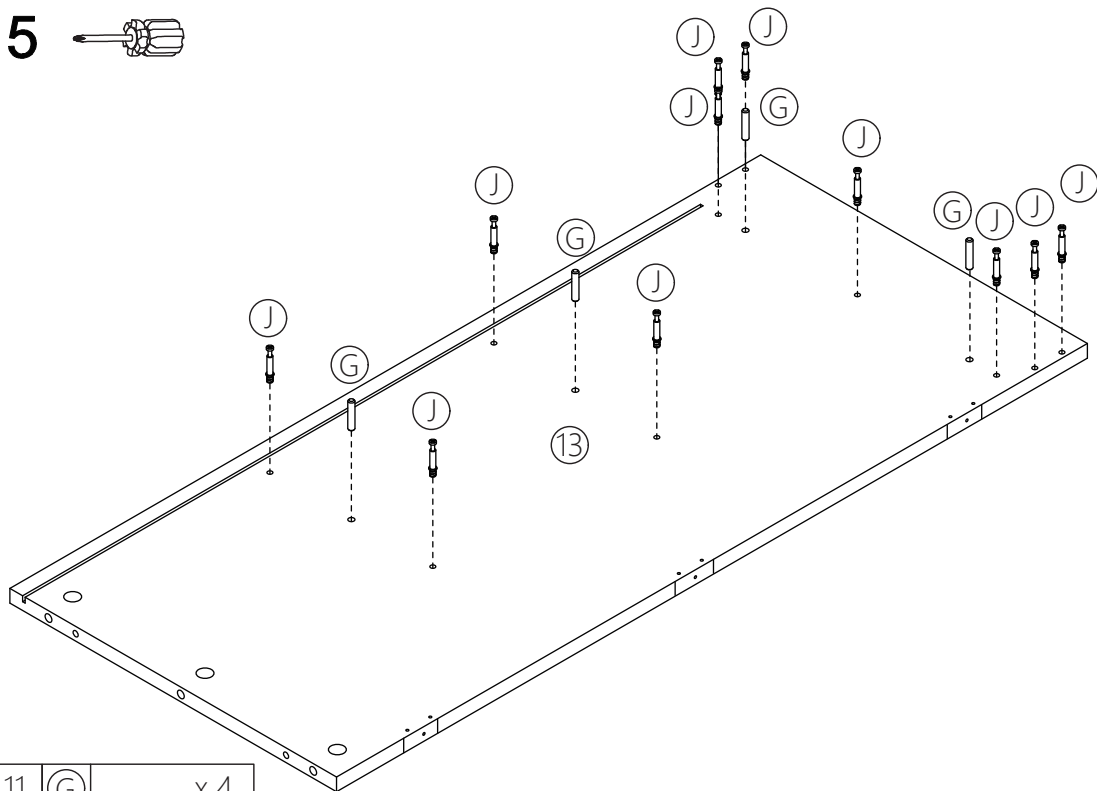
(J)	x 6	(G)	x 4	(K)	x 6
					
		∅ 6x30		∅ 15x9.5	

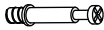
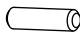
Step 14



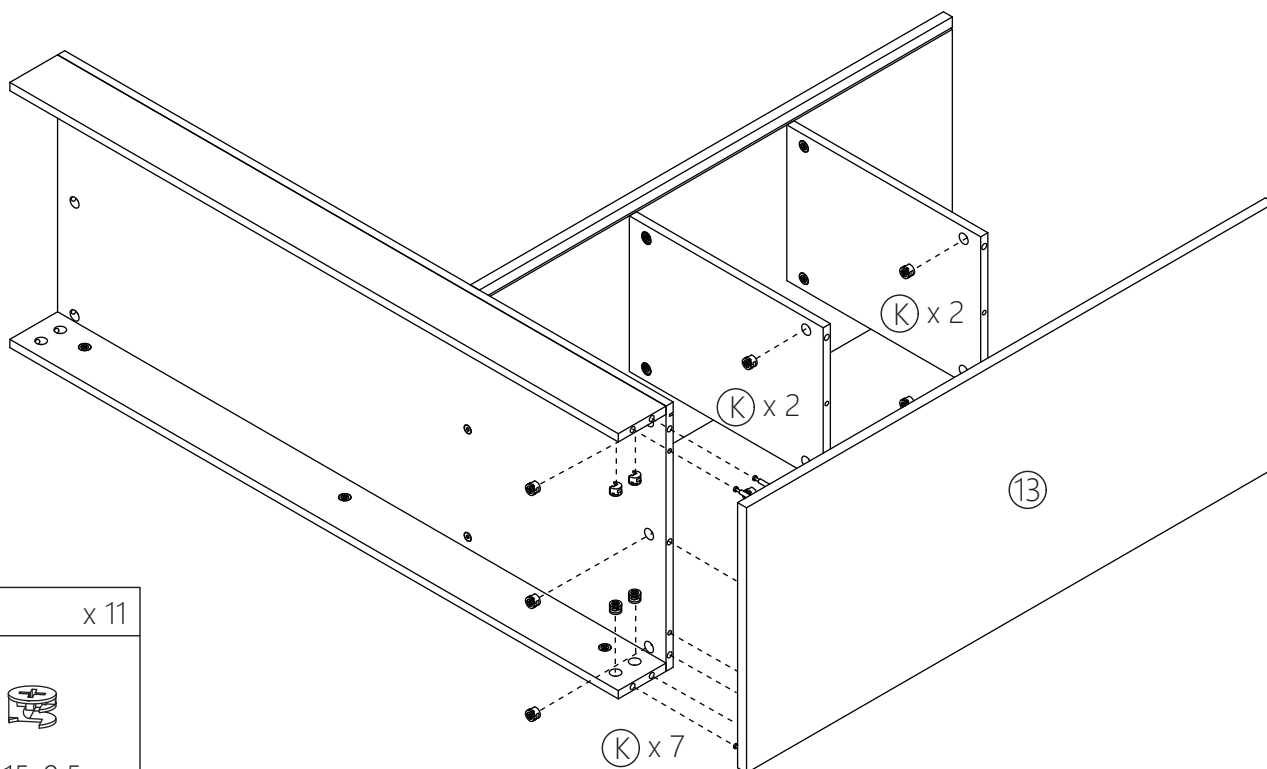
(F)	x 3	(G)	x 2	(H)	x 1
					
M7x50		∅ 6x30		M4	


Step 15



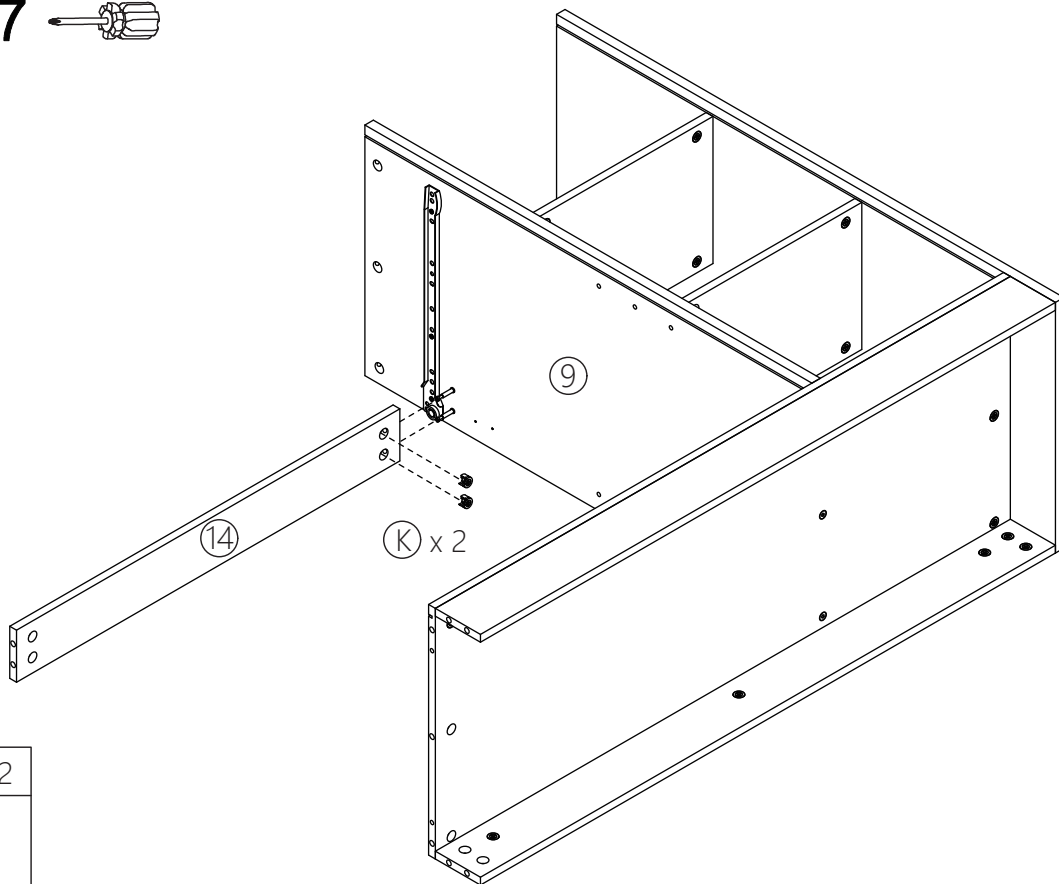
(J)	x 11	(G)	x 4
		 ϕ 6x30	


Step 16



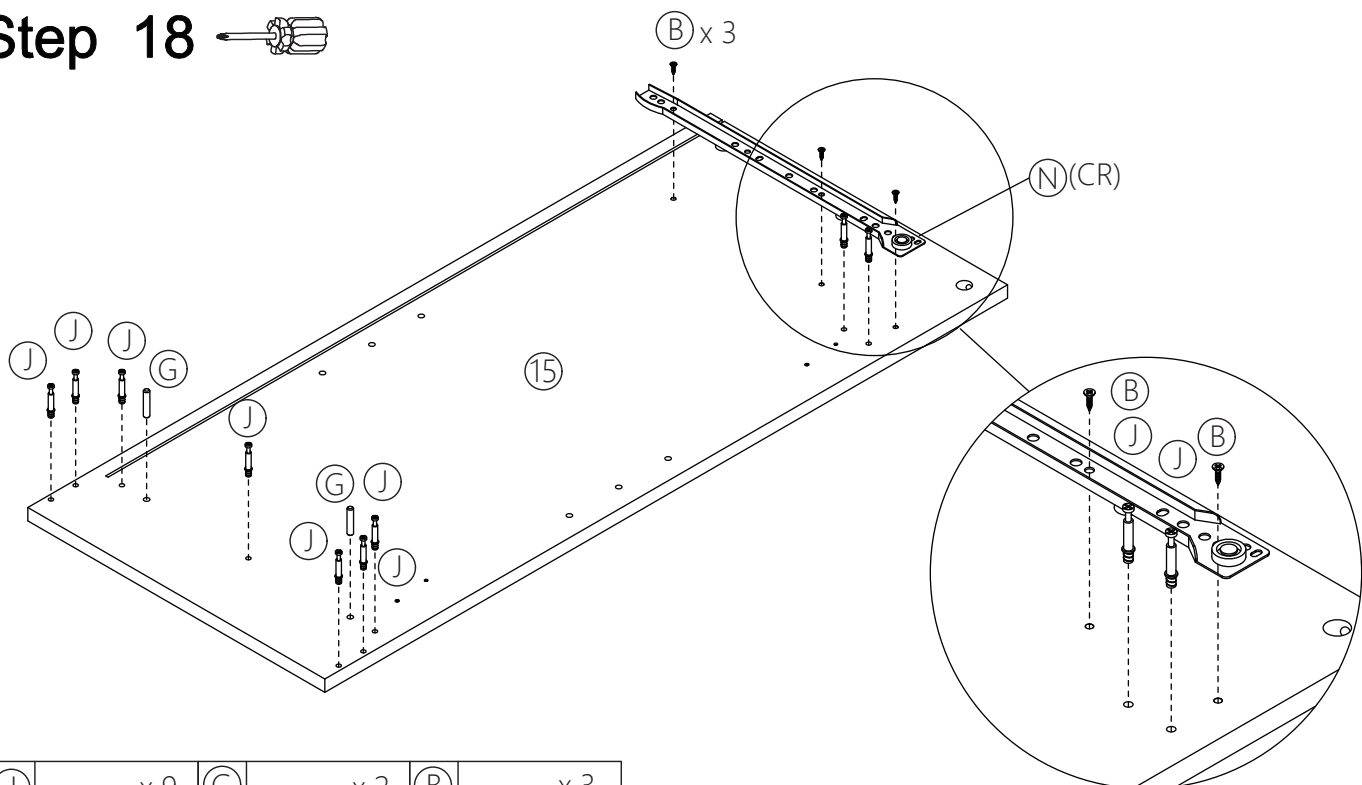
(K)	x 11
 ϕ 15x9.5	

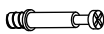
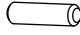
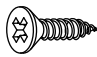
Step 17

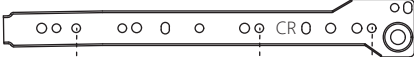



(K)	x 2
	
ø 15x9.5	

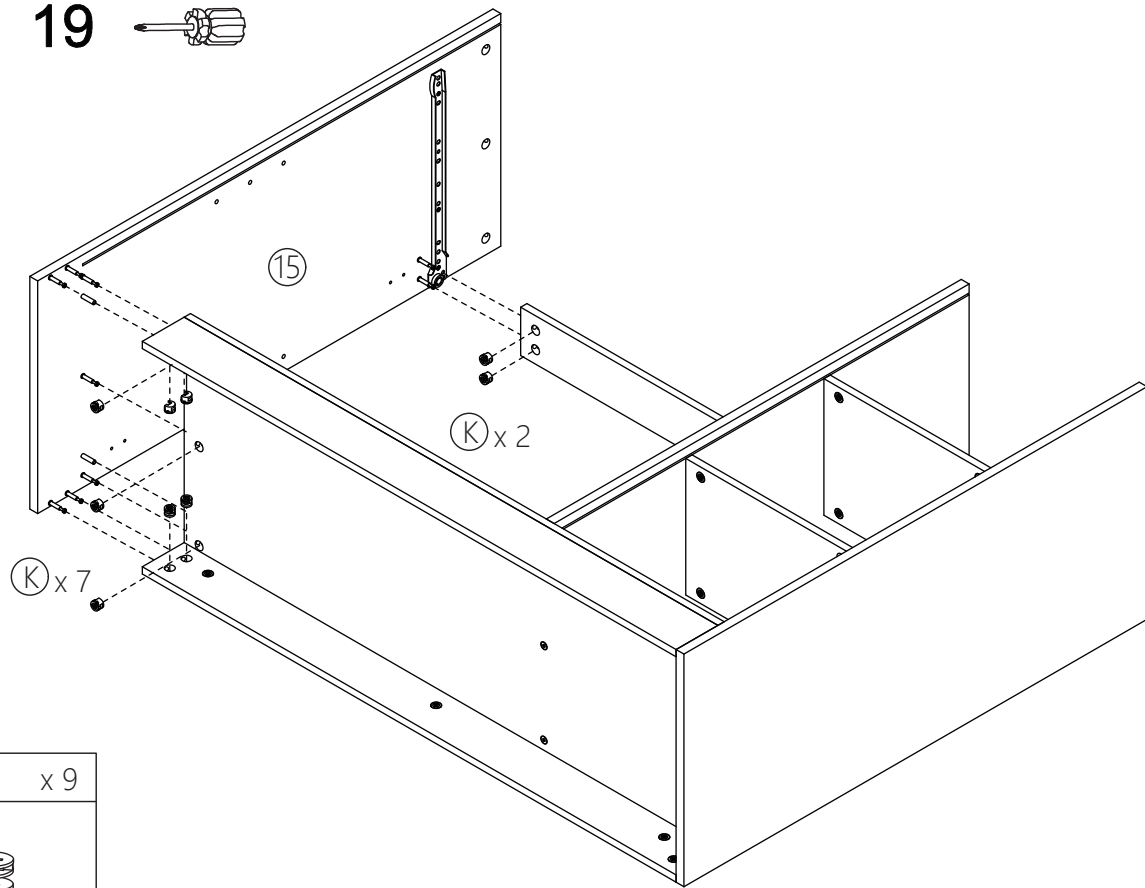
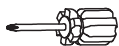
Step 18



(J)	x 9	(G)	x 2	(B)	x 3
					
		ø 6x30		M3x12	

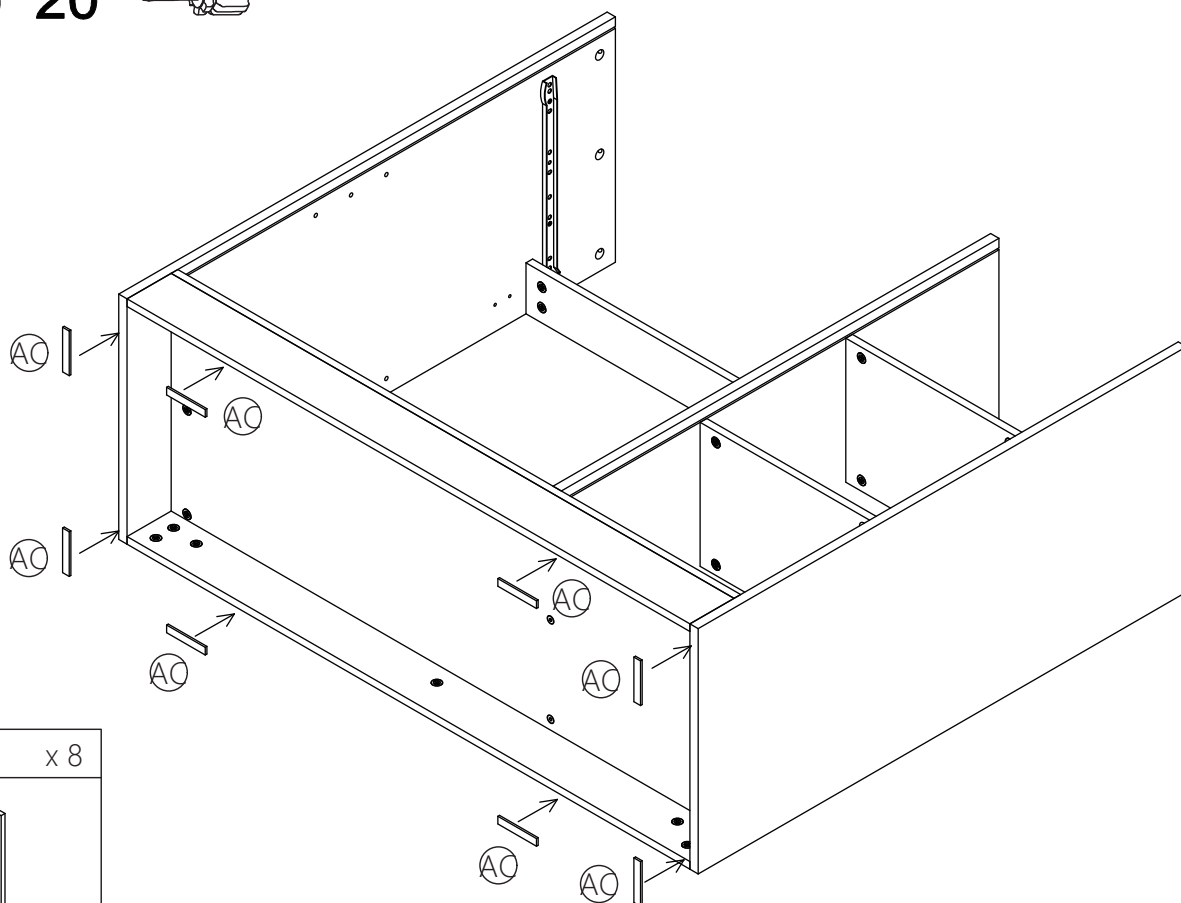
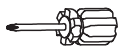
(N) (CR)



Step 19



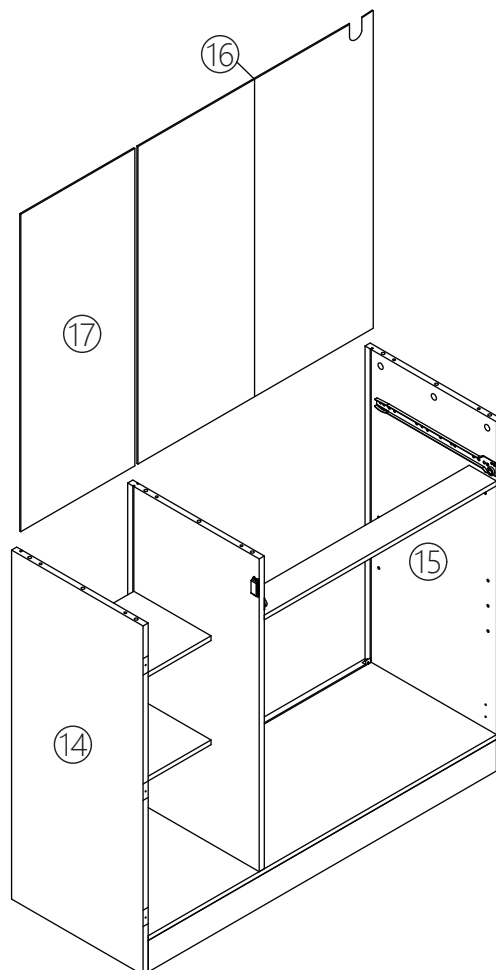
(K)	x 9
ø 15x9.5	

Step 20

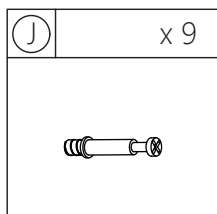
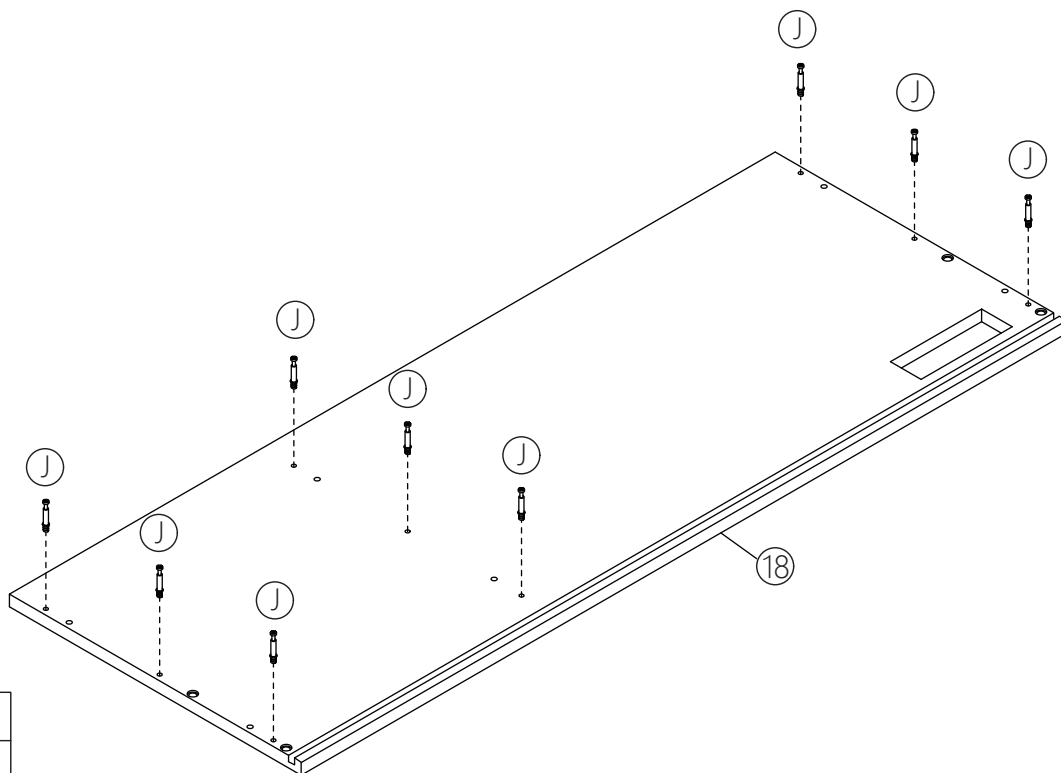


(AC)	x 8

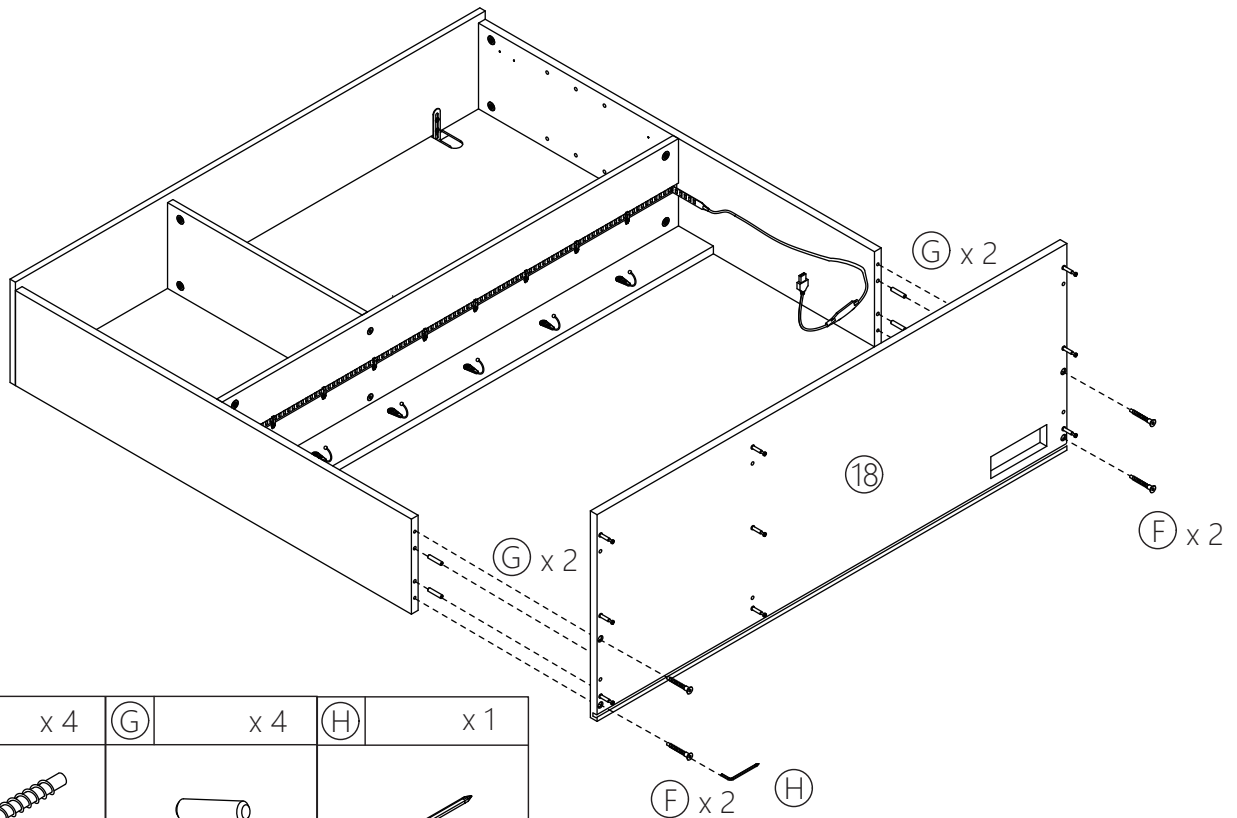
Step 21

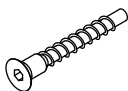




Step 22

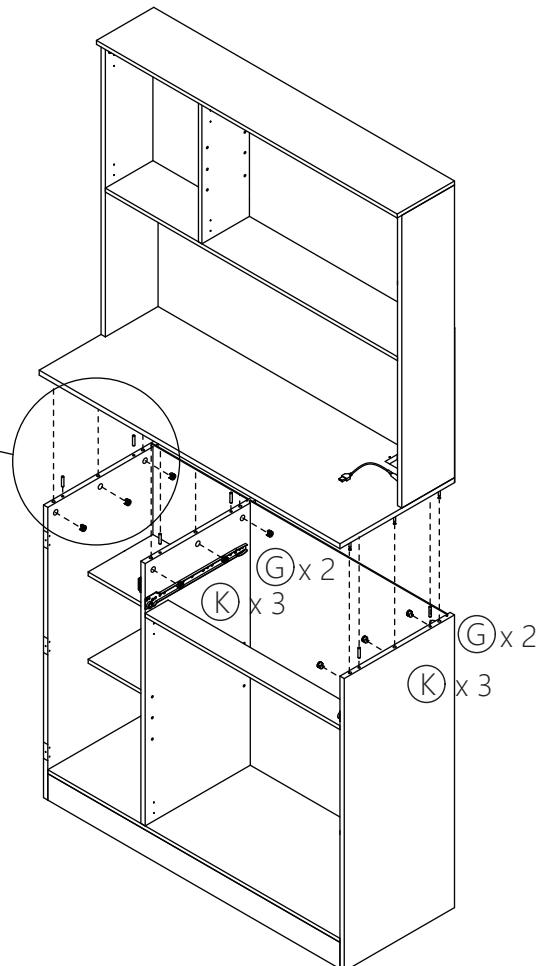
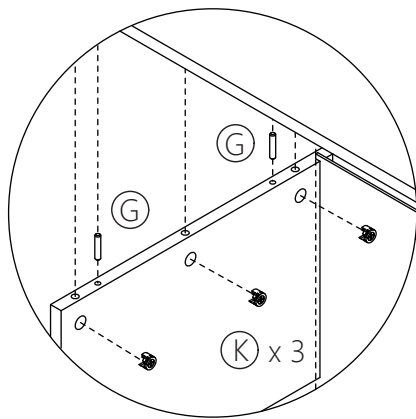




Step 23



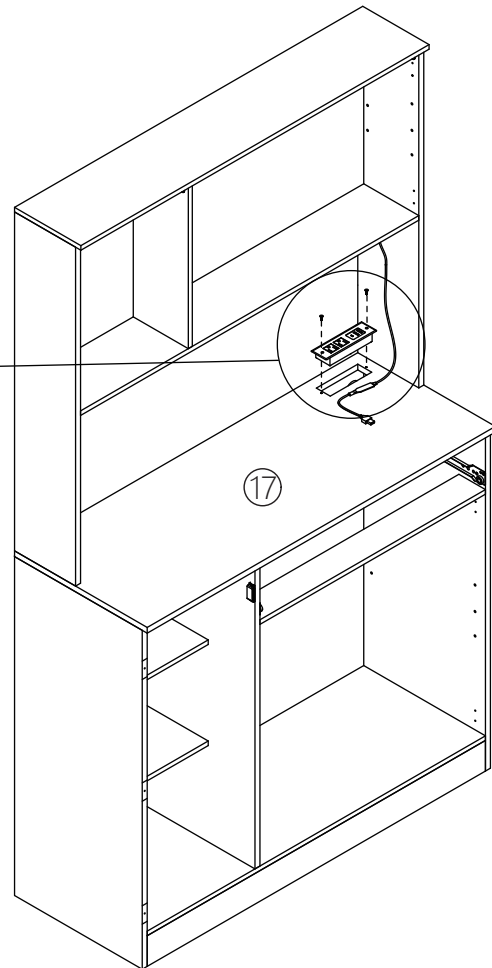
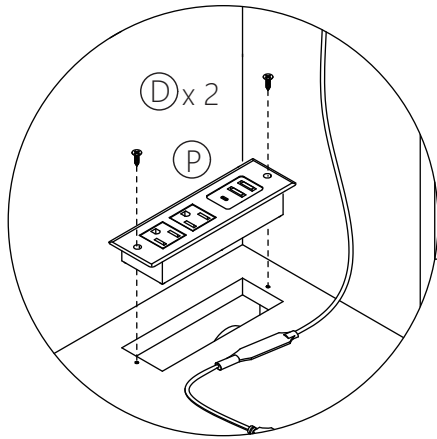
(F)	x 4	(G)	x 4	(H)	x 1
					
M7x50		∅ 6x30		M4	


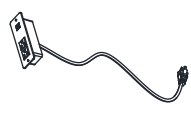
Step 24



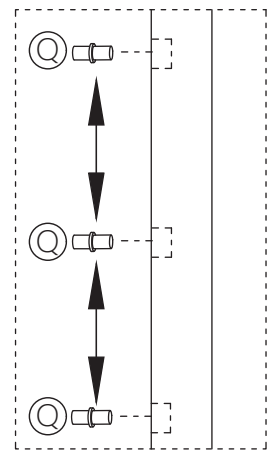
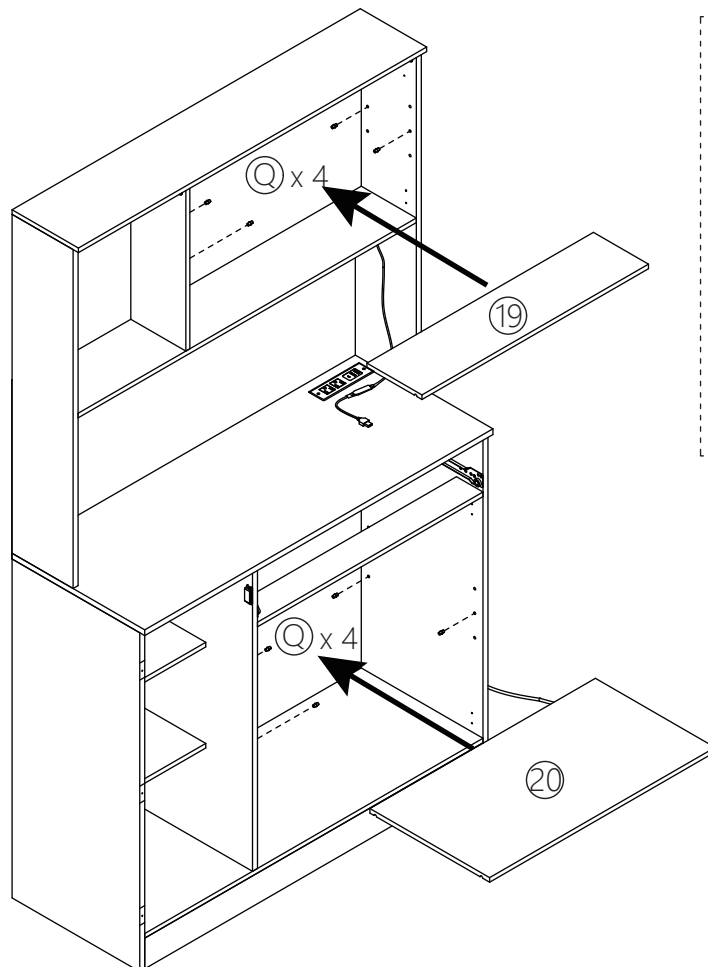
(G)	x 6	(K)	x 9
			
∅ 6x30		∅ 15x9.5	


Step 25



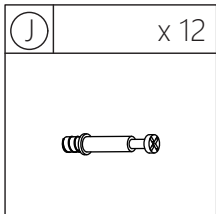
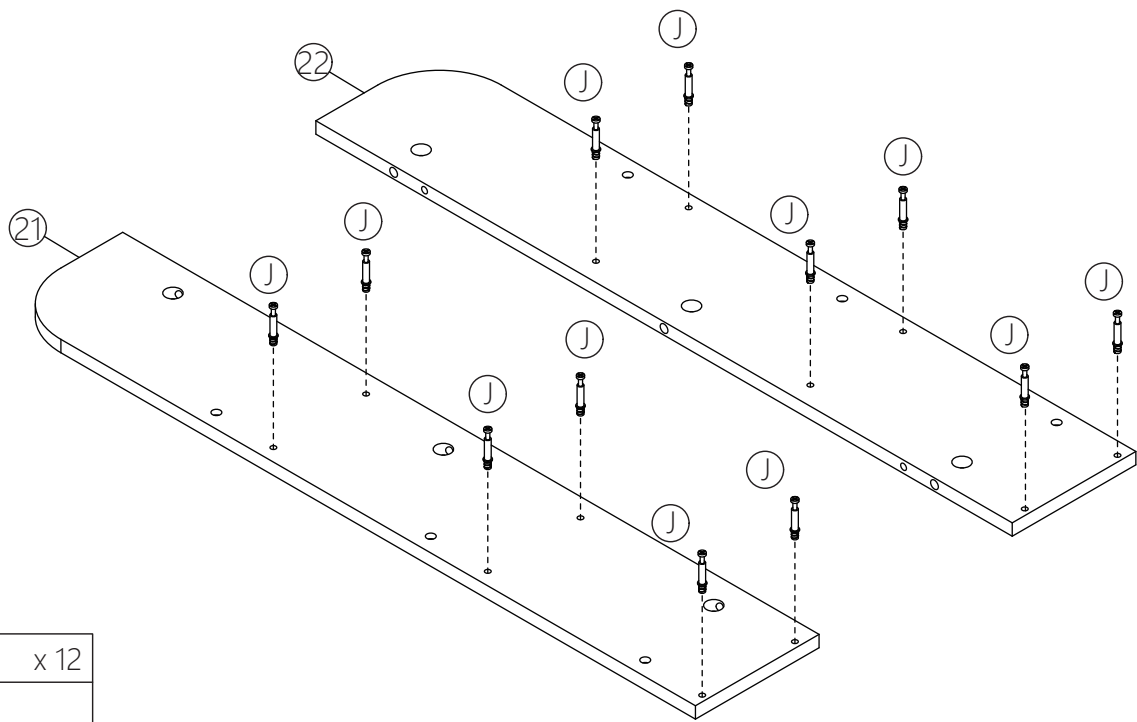
D	x 2	P	x 1
			
M3.5x12			

Step 26

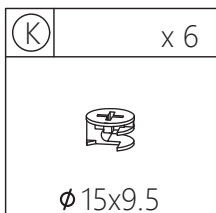
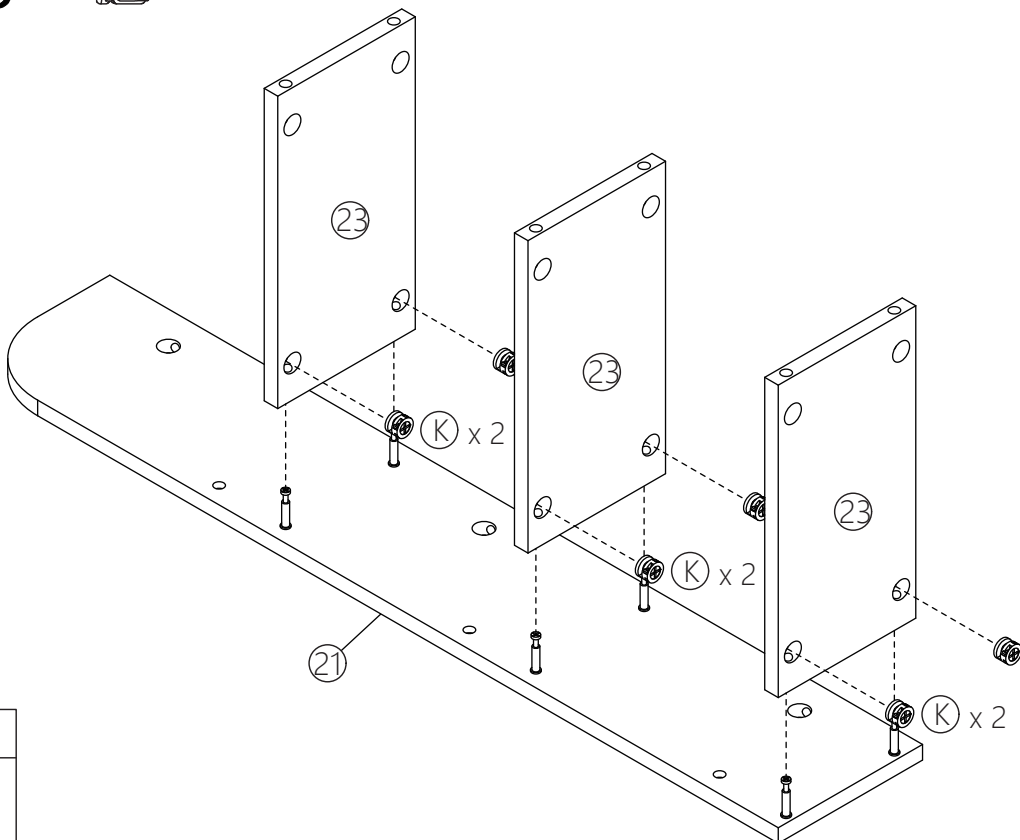


Q	x 8
	
ø5x16	

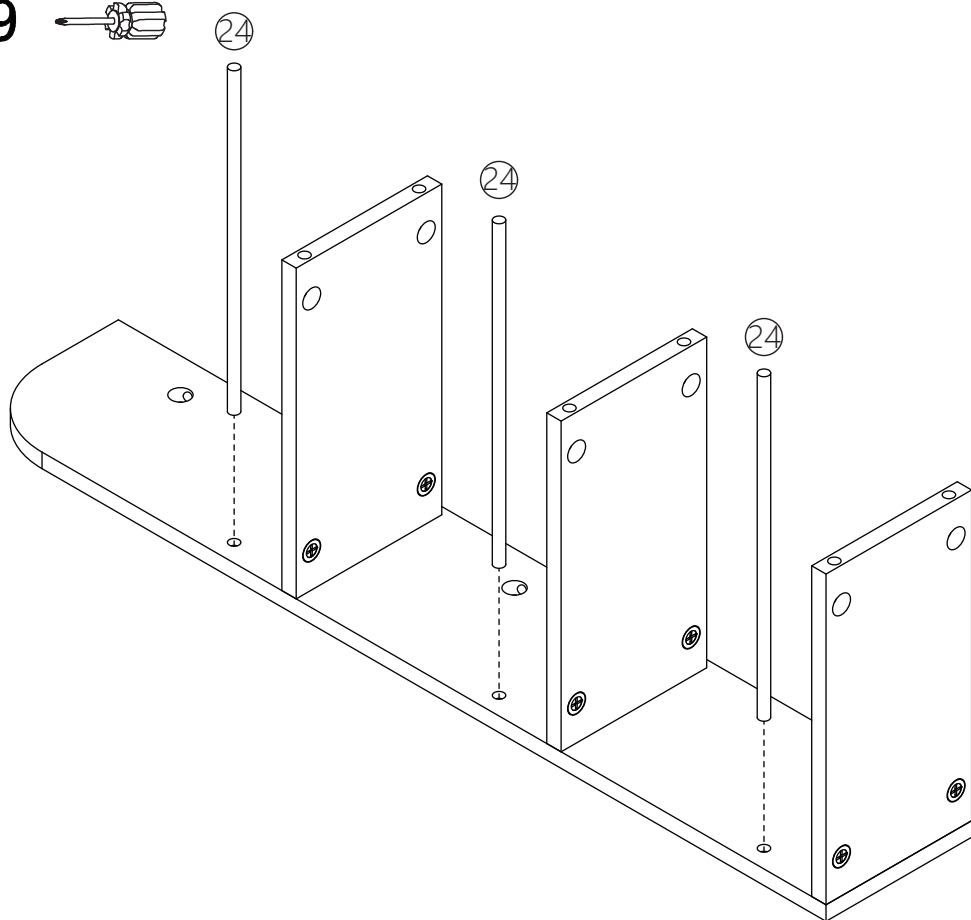
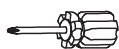
Step 27



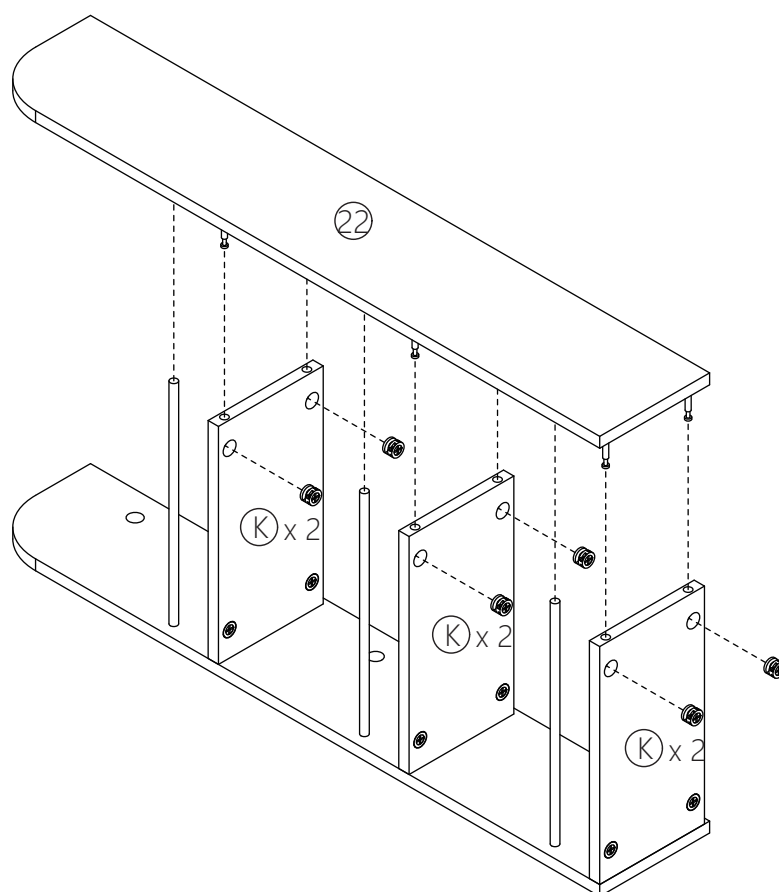
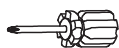
Step 28




Step 29

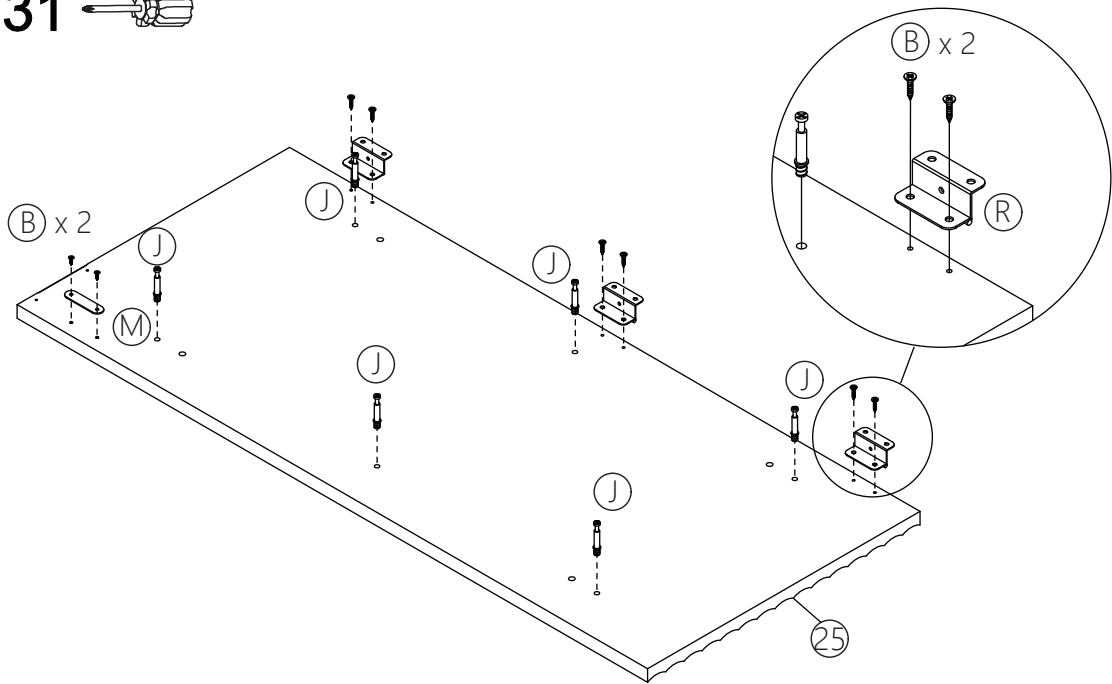


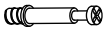
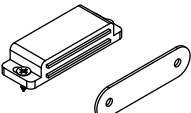

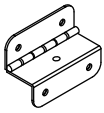
Step 30



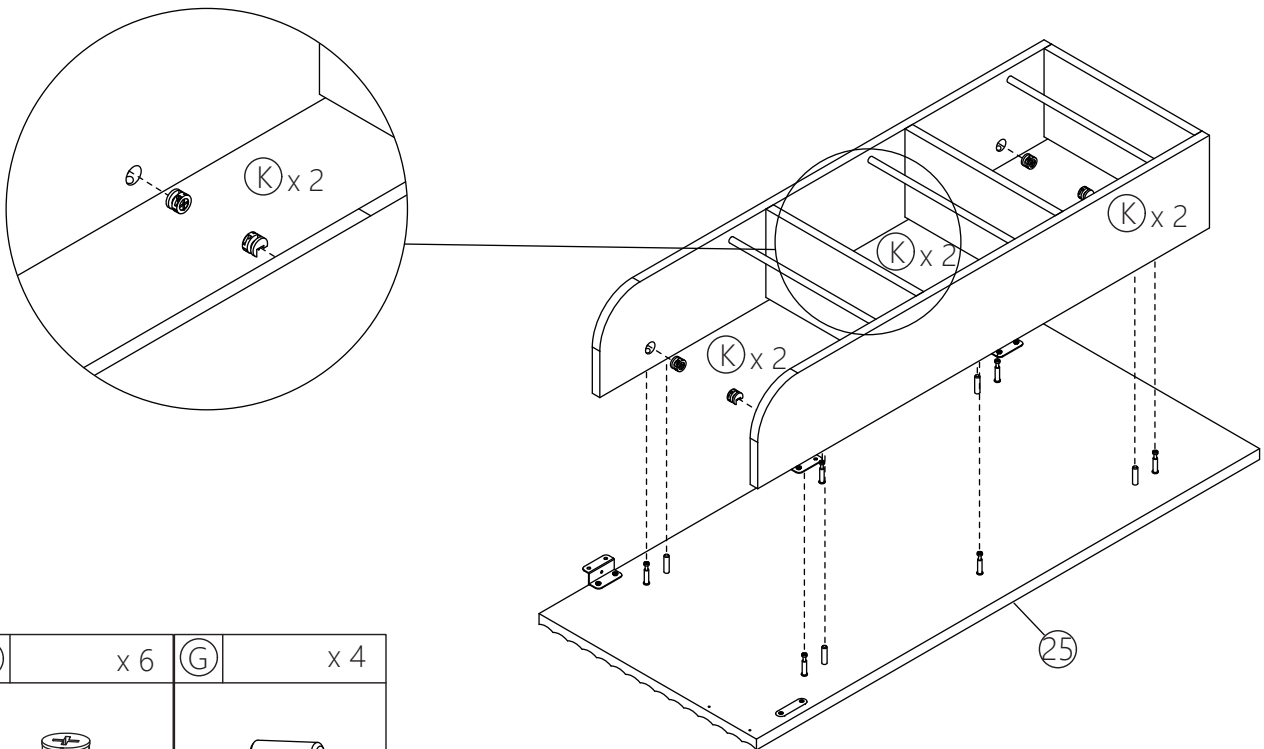
(K)	x 6
	
ø 15x9.5	


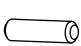
Step 31



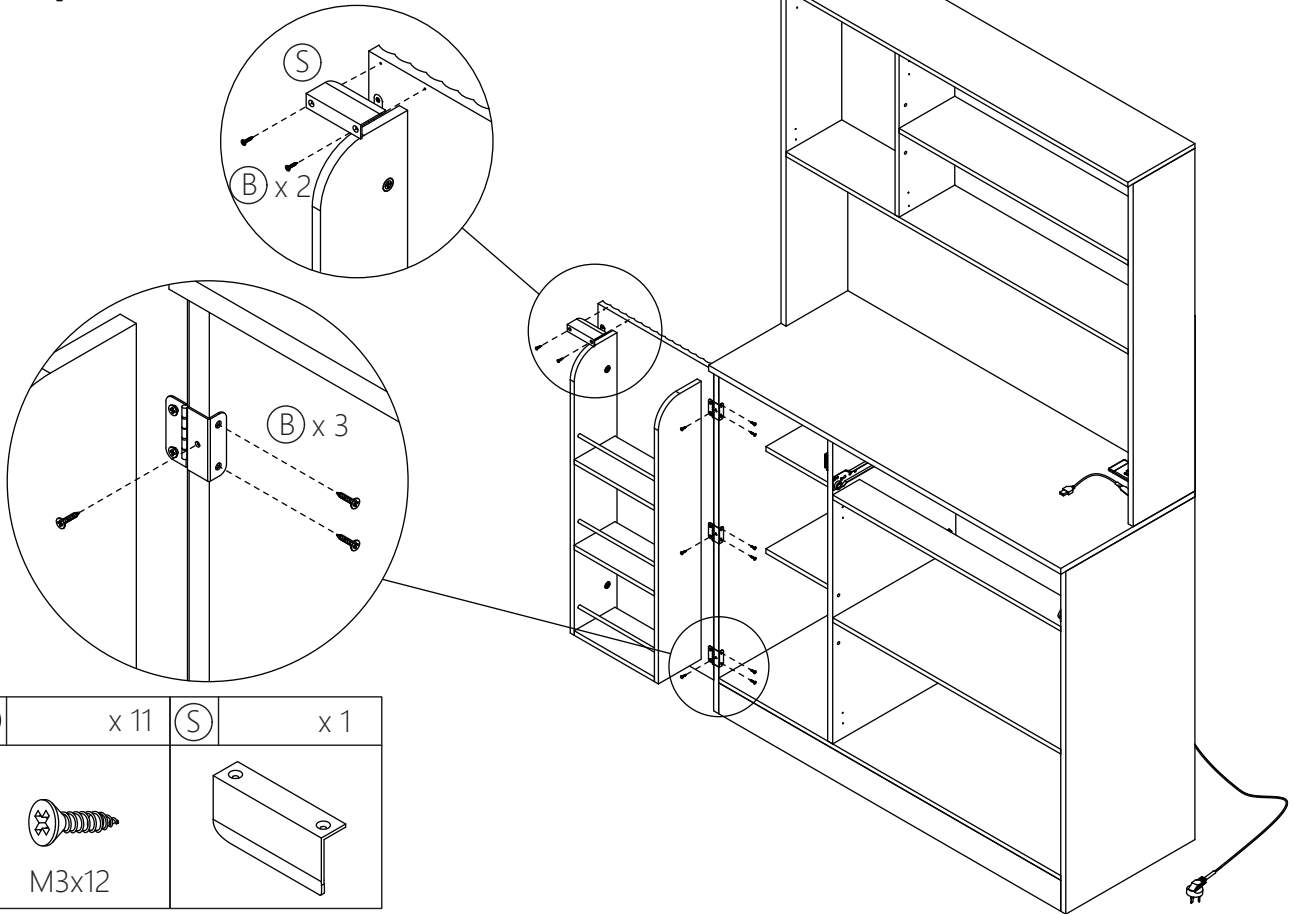
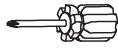
(J)	x 6	(M)	x 1	(B)	x 8	(R)	x 3
				 M3x12			


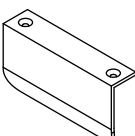
Step 32



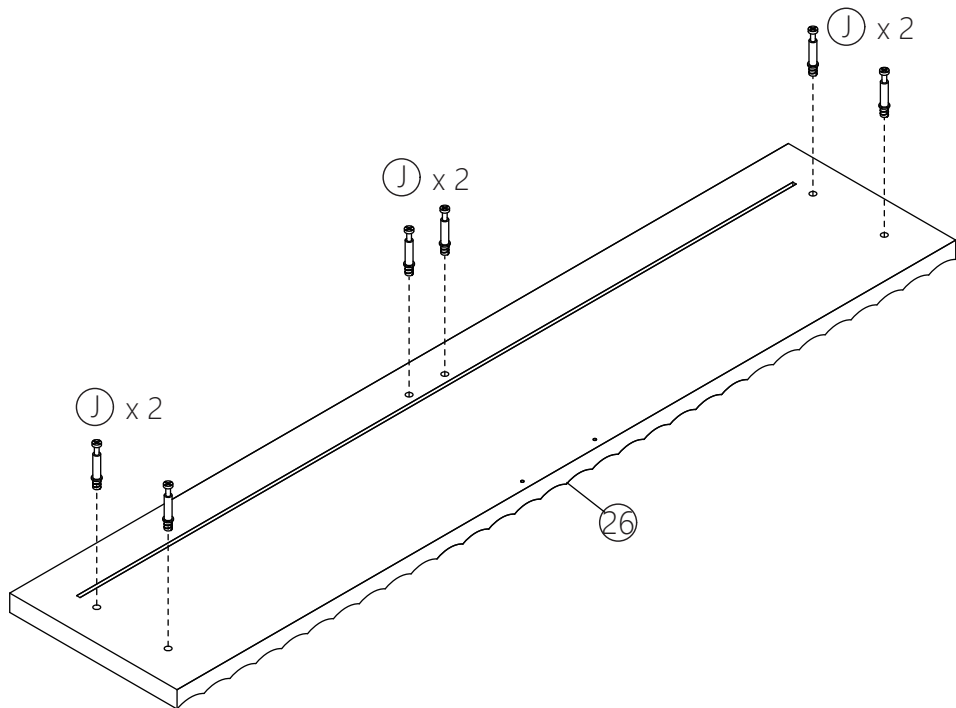
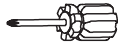
(K)	x 6	(G)	x 4
			
φ 15x9.5		φ 6x30	

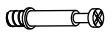
Step 33



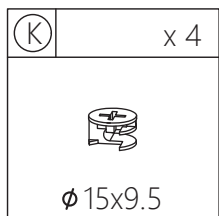
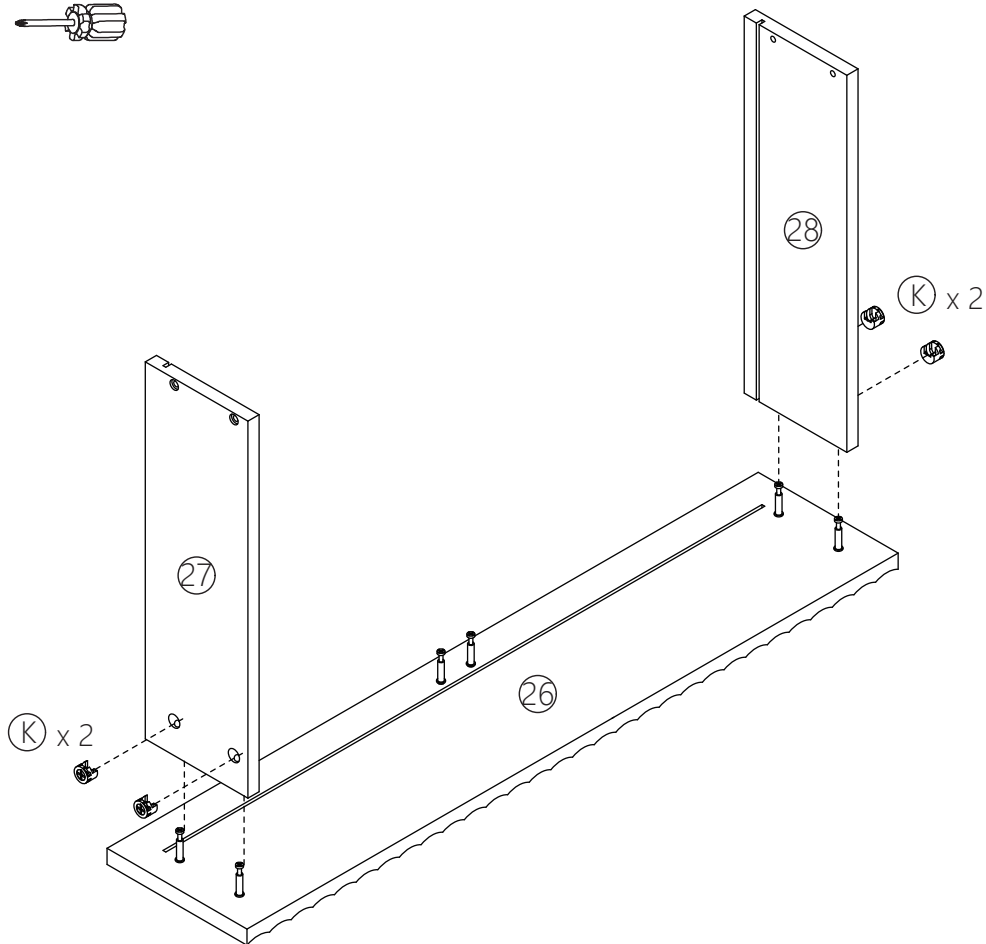
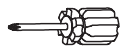
(B)	x 11	(S)	x 1
			
M3x12			

Step 34

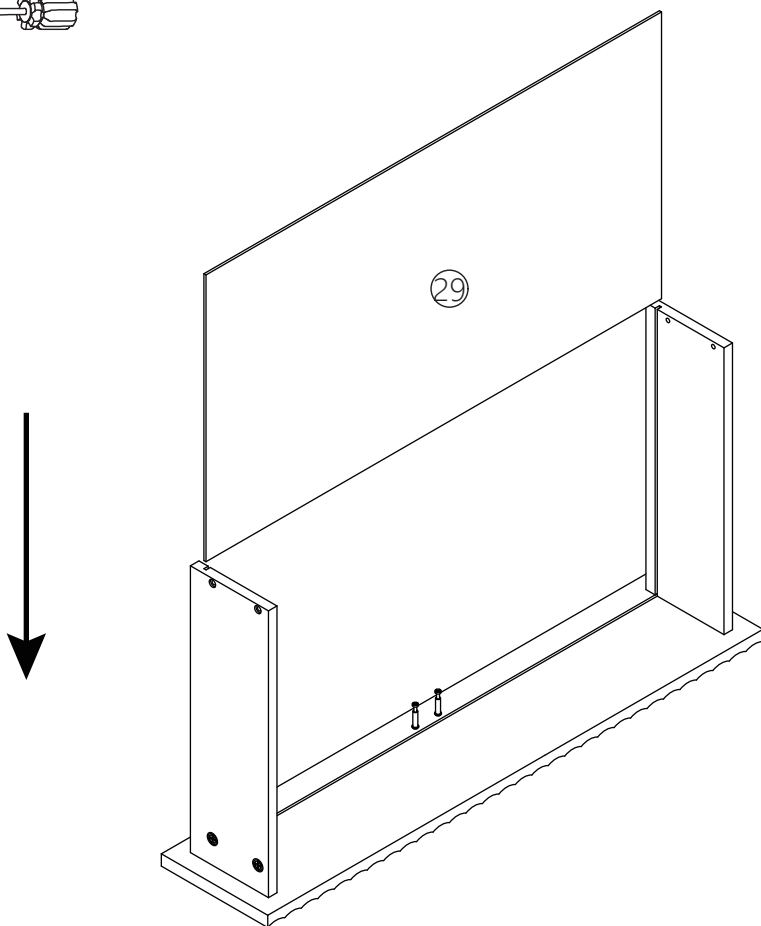


(J)	x 6
	

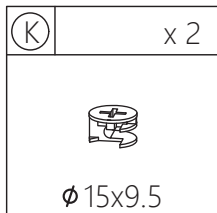
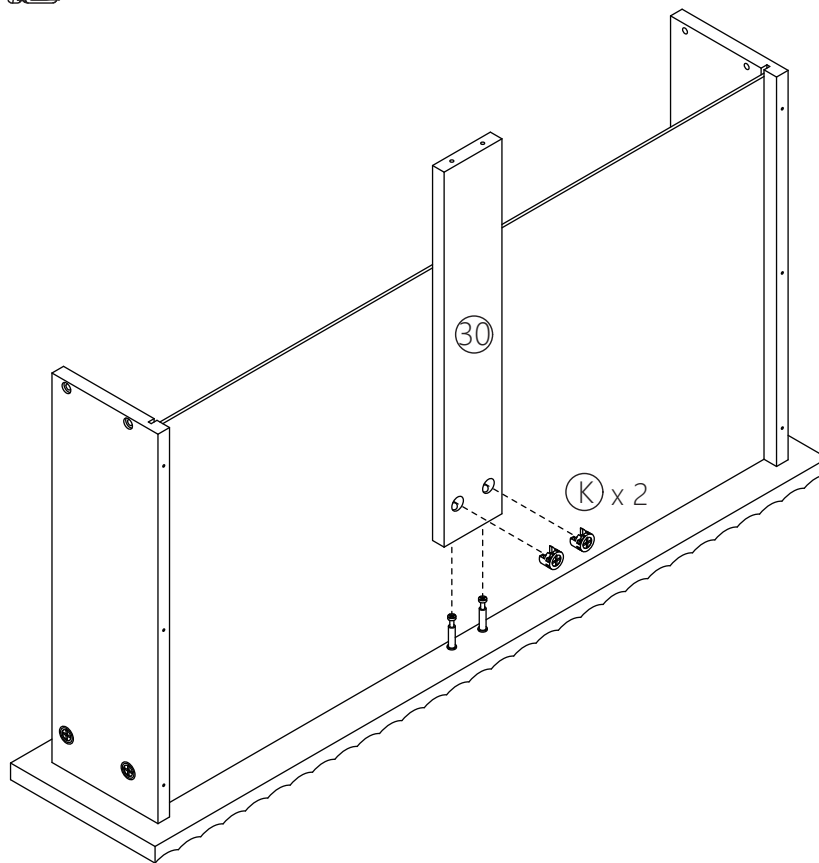
Step 35



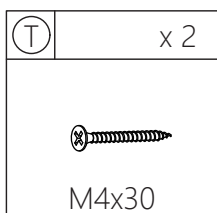
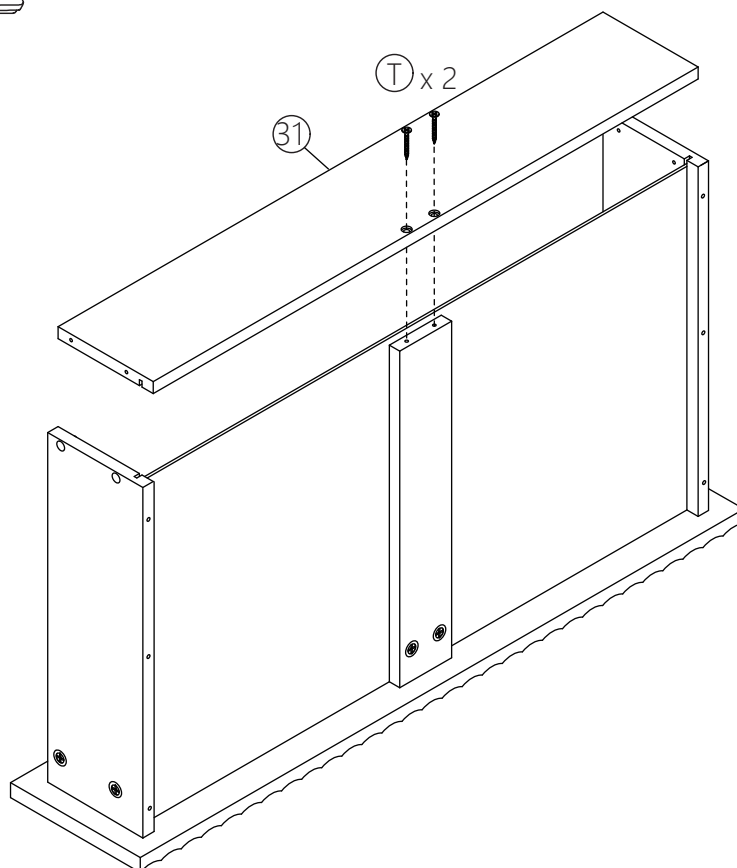
Step 36



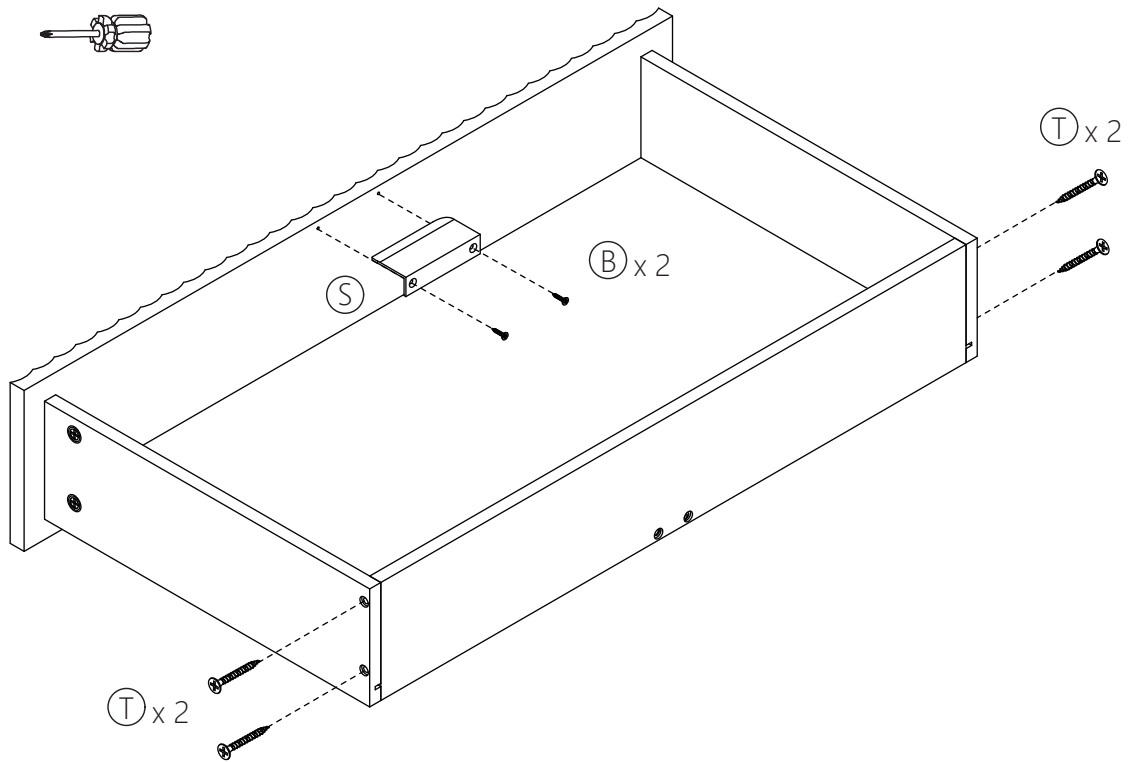
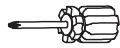
Step 37

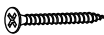

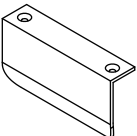


Step 38

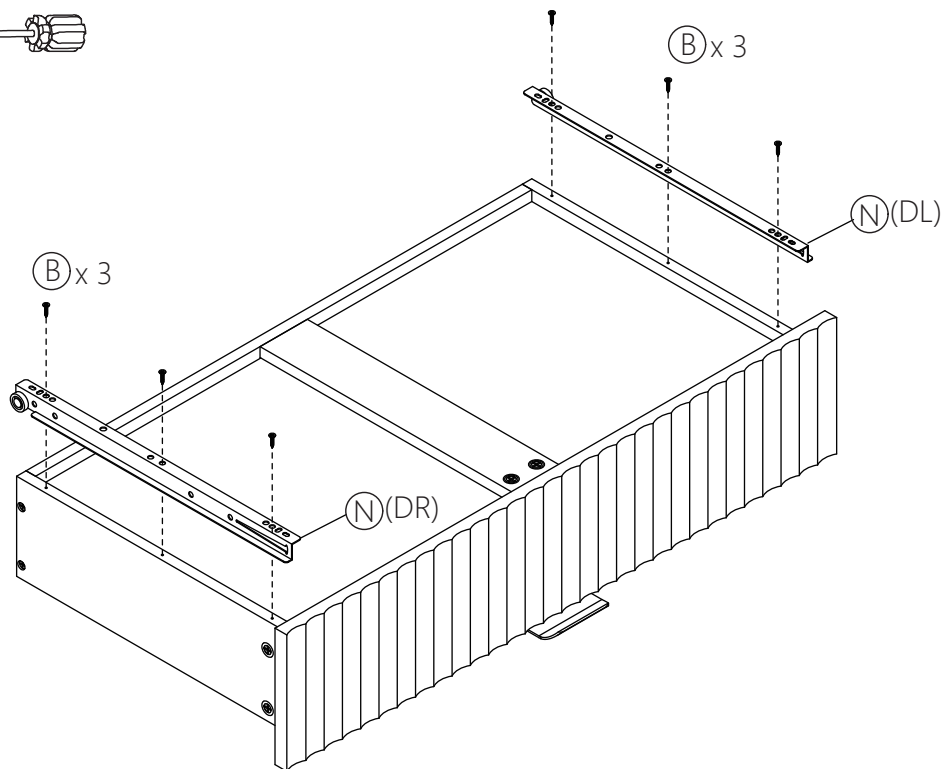
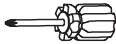



Step 39

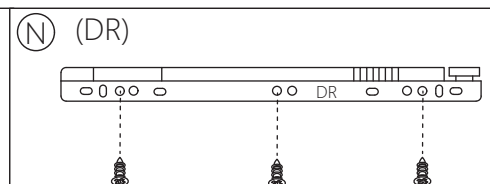
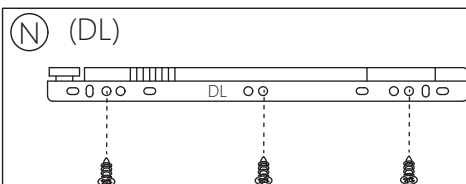


(T)	x 4	(B)	x 2	(S)	x 1
 M4x30		 M3x12			

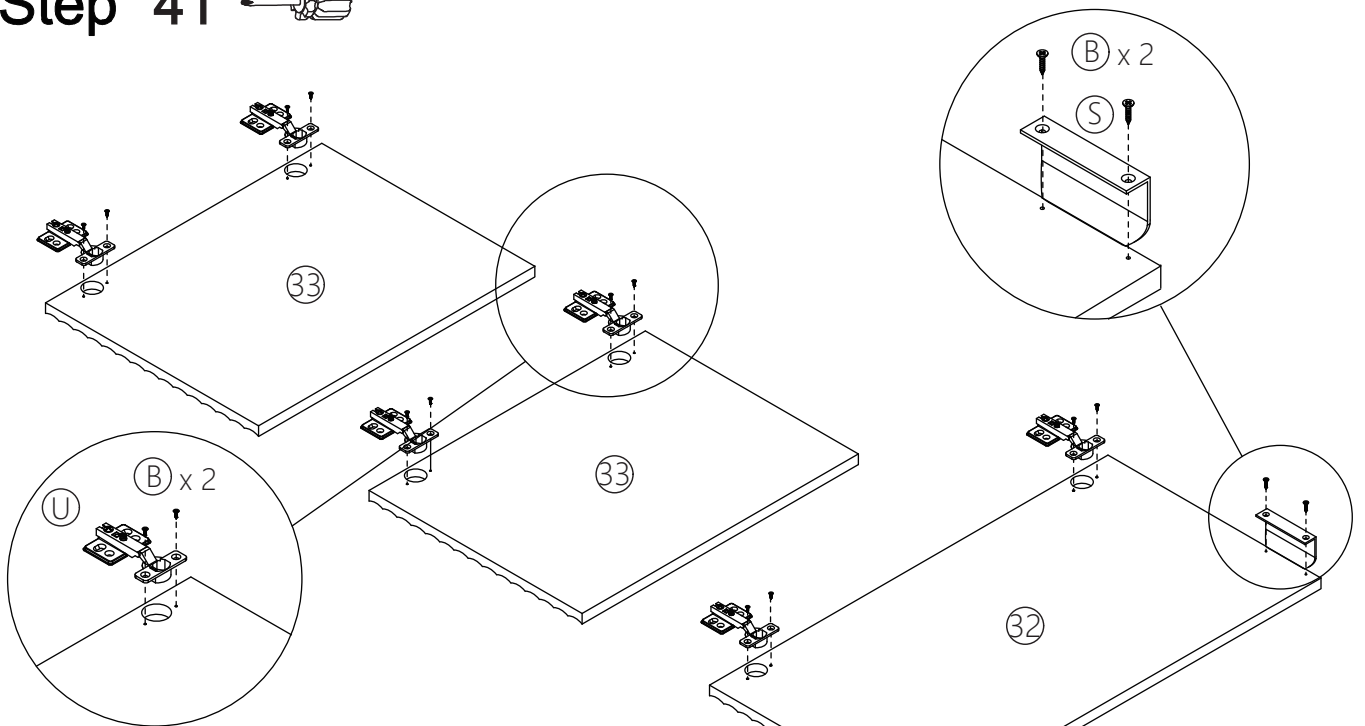
Step 40


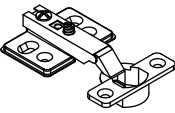
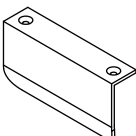


(B)	x 6
 M3x12	

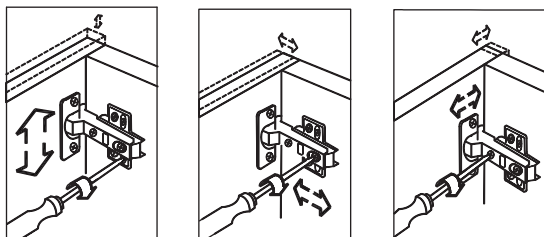


Step 41

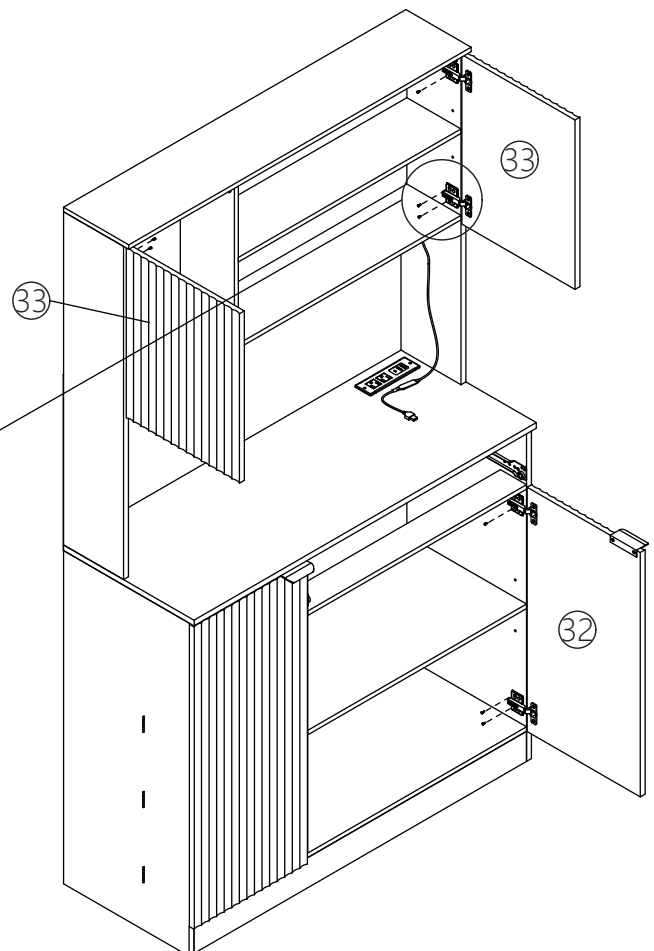
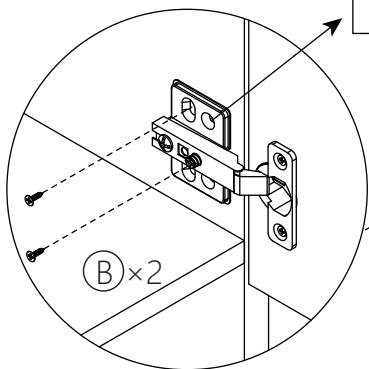



(B)	x 14	(U)	x 6	(S)	x 1
					
M3x12					

Step 42

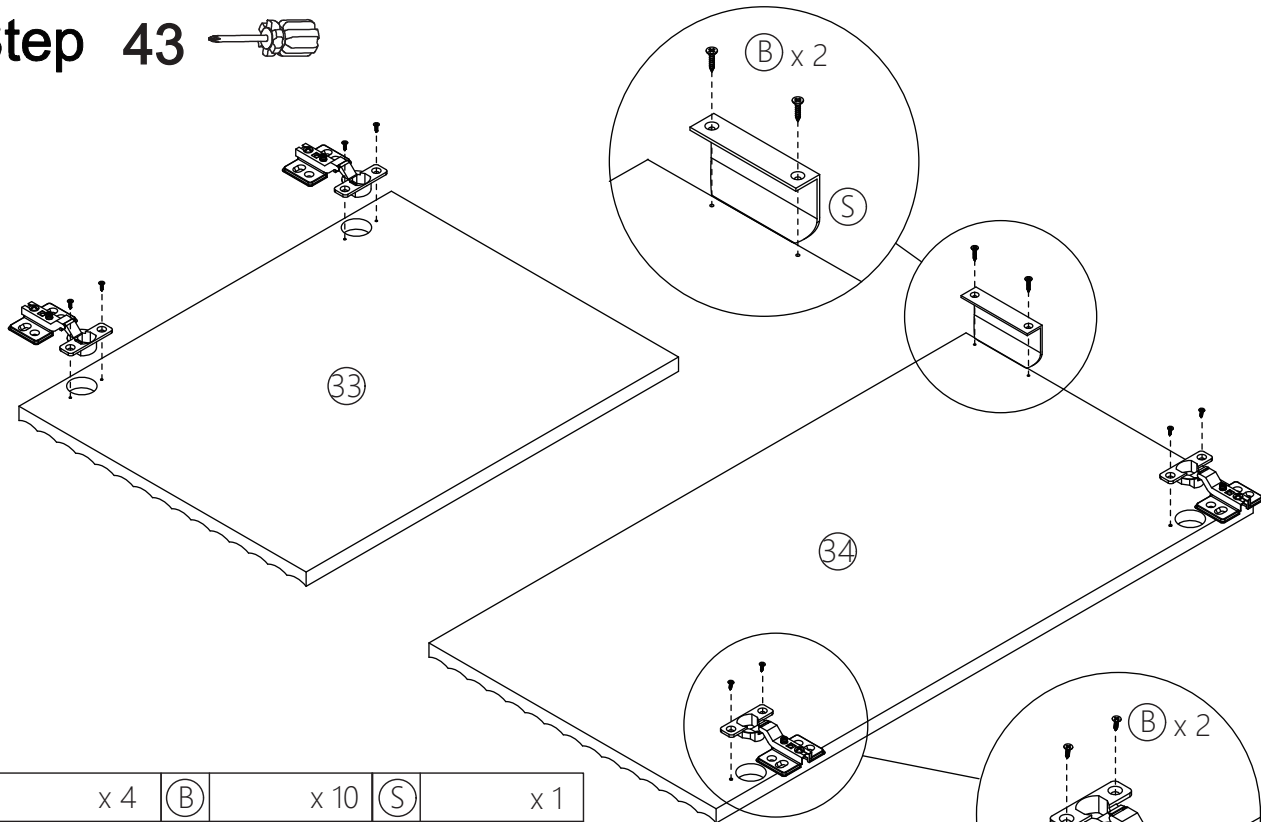


It can be reinforced with nails.



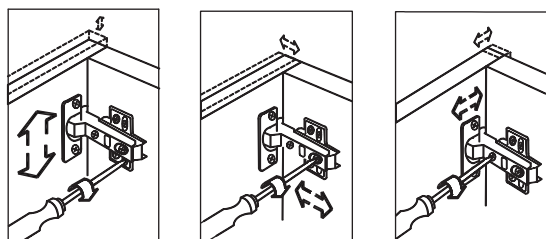
(B)	x 12
	
M3x12	

Step 43

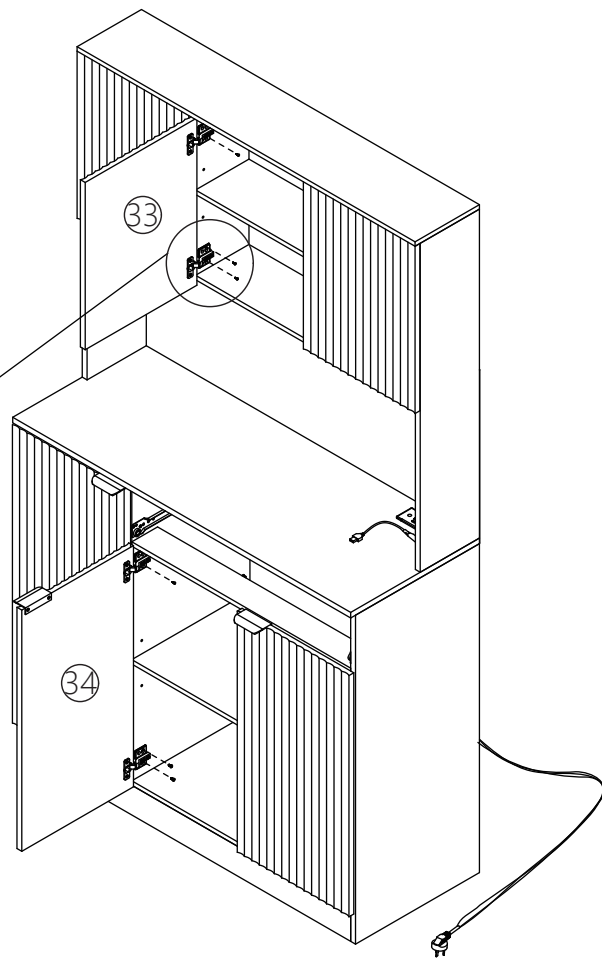
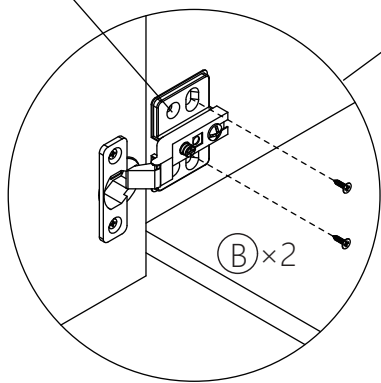


(V)	x 4	(B)	x 10	(S)	x 1
		 M3x12			

Step 44

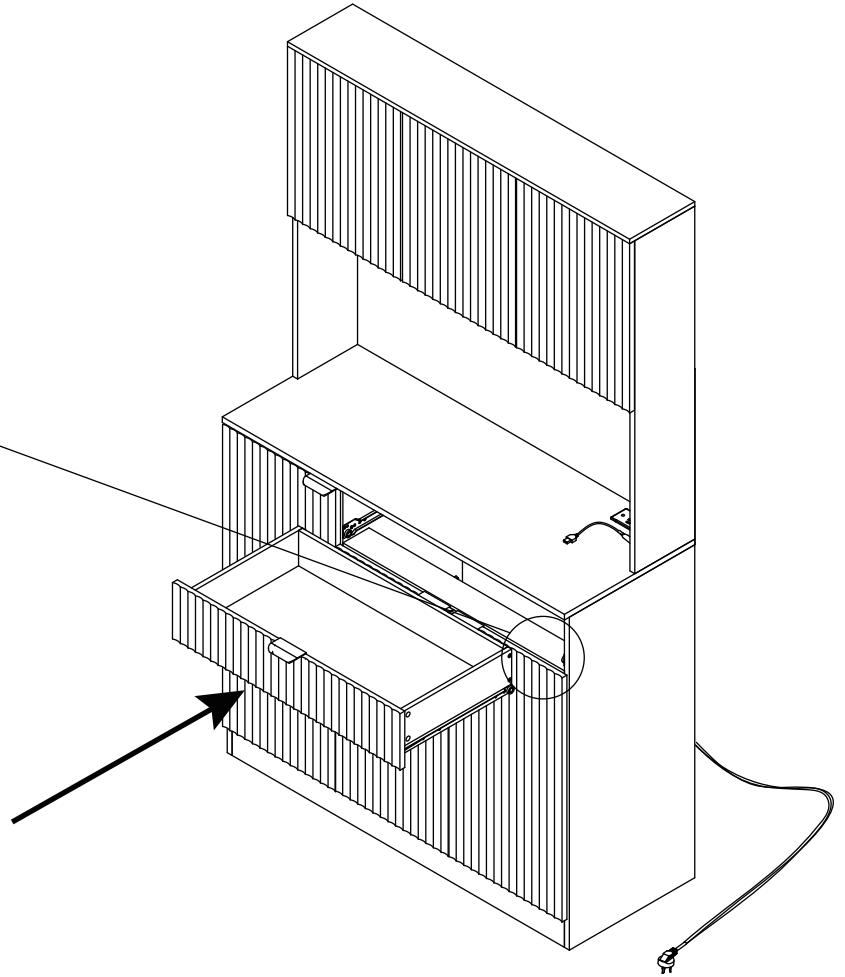
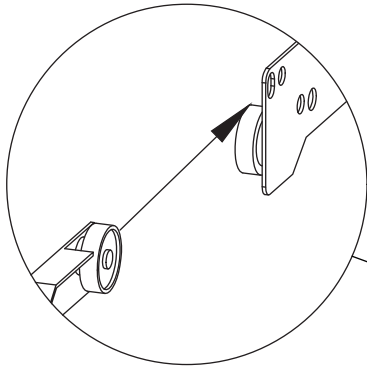
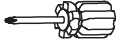


It can be reinforced with nails.

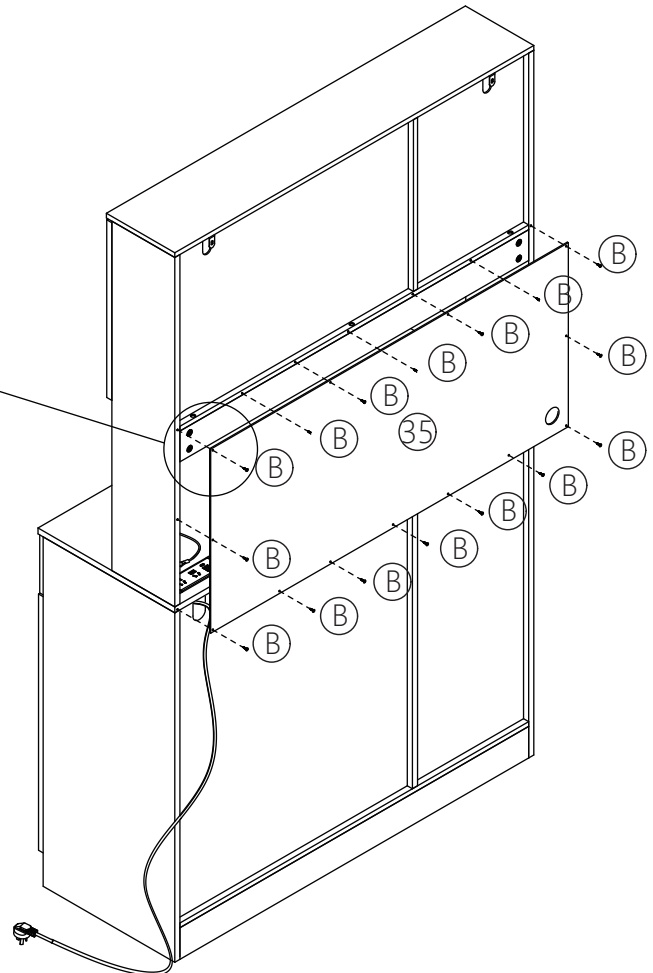
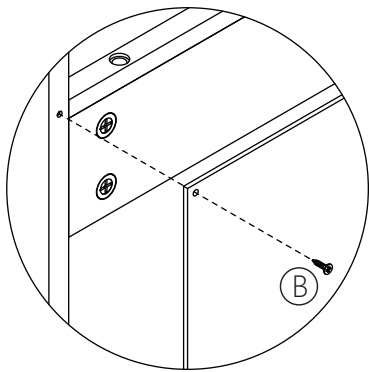



(B)	x 8
 M3x12	

Step 45

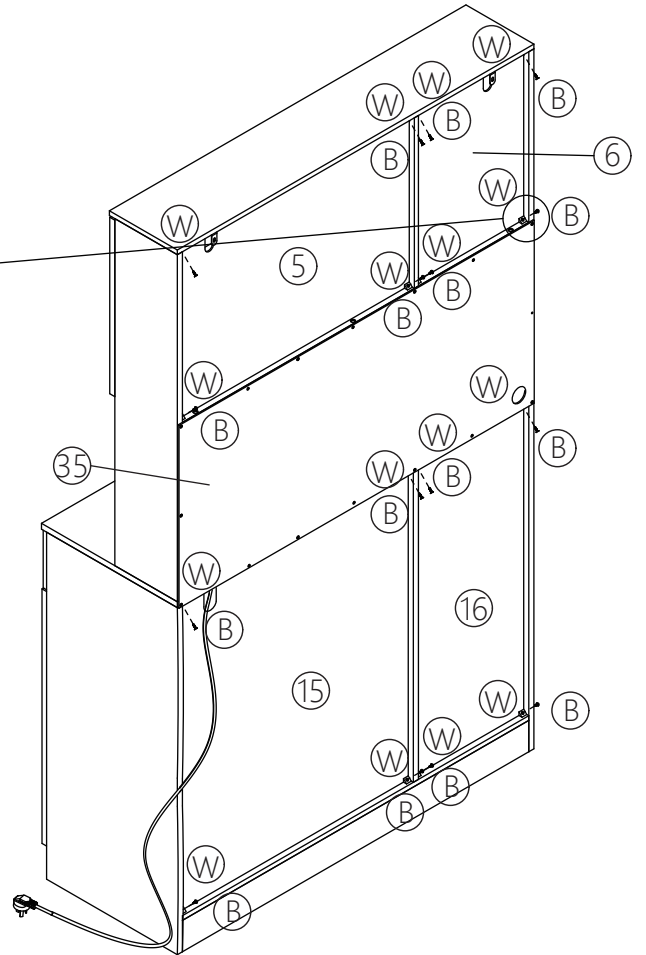
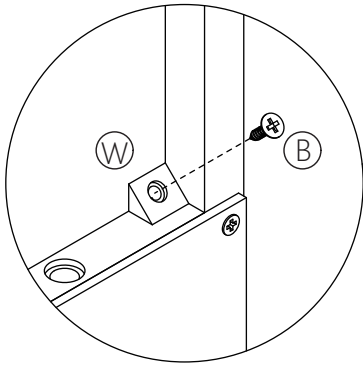


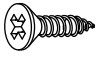

Step 46



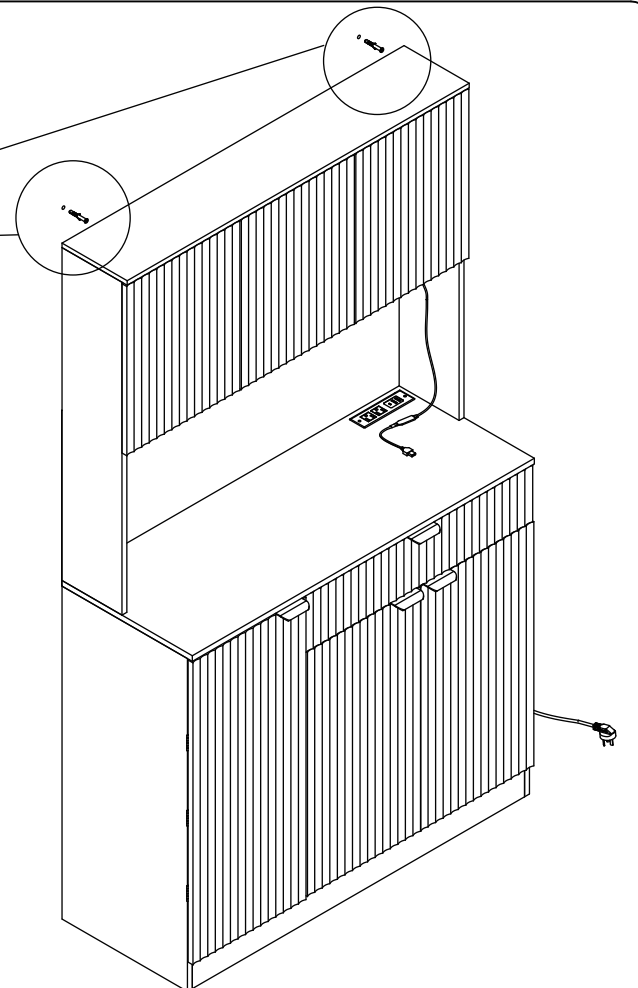
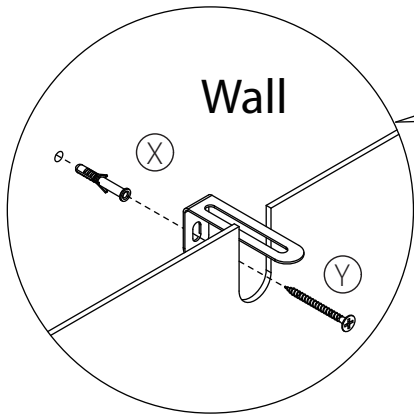
(B)	x 16
	
M3x12	

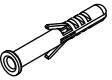

Step 47



(B)	x 16	(W)	x 16
			
M3x12			

Step 48



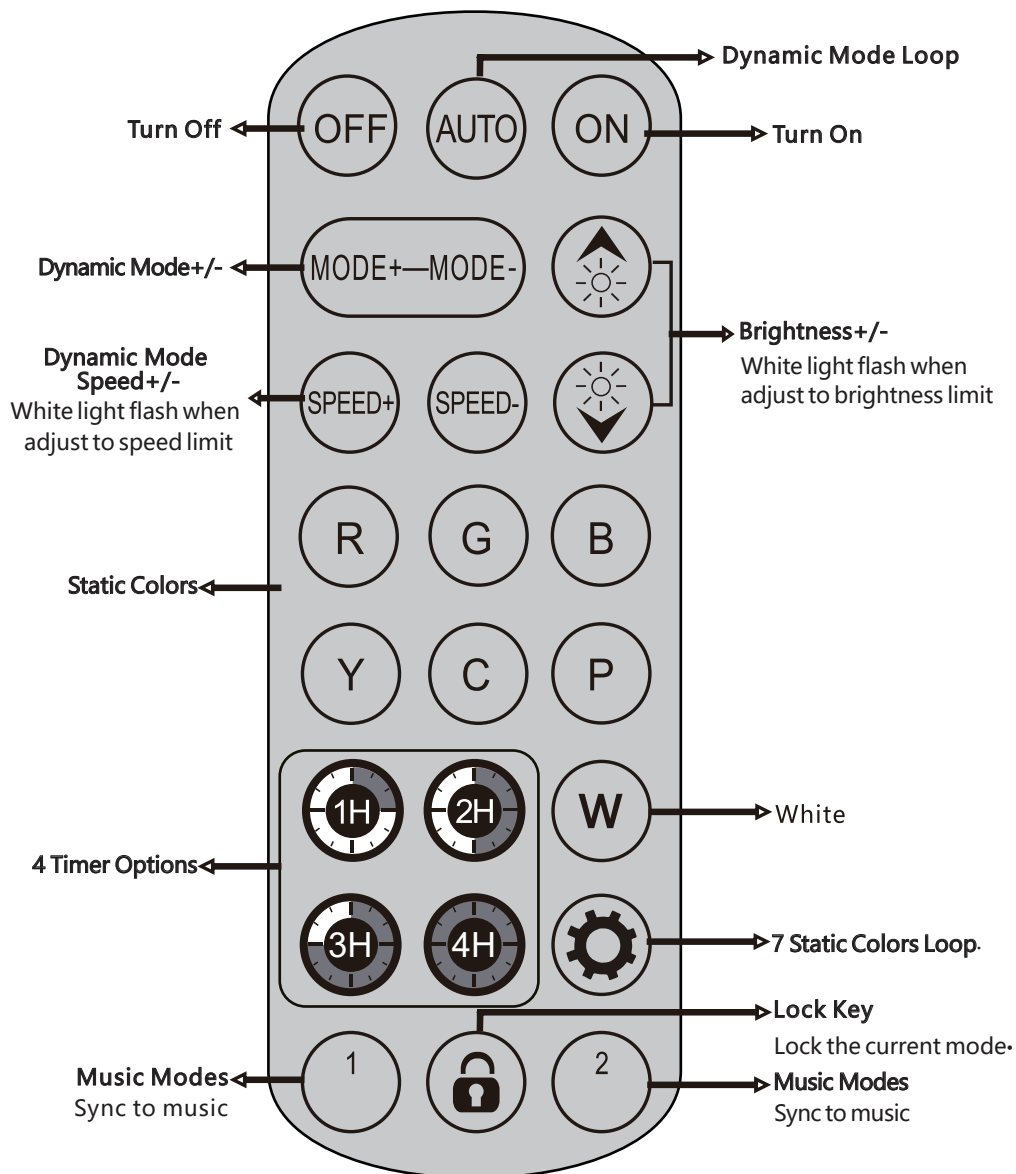
(X)	x 2	(Y)	x 2
			

Using with Remote Control



- ◆ Remove the plastic tab underneath battery before use.
- ◆ All buttons (except Button indicator) are functioned in the same manner as the control panel.

LED2022 - 24KEY



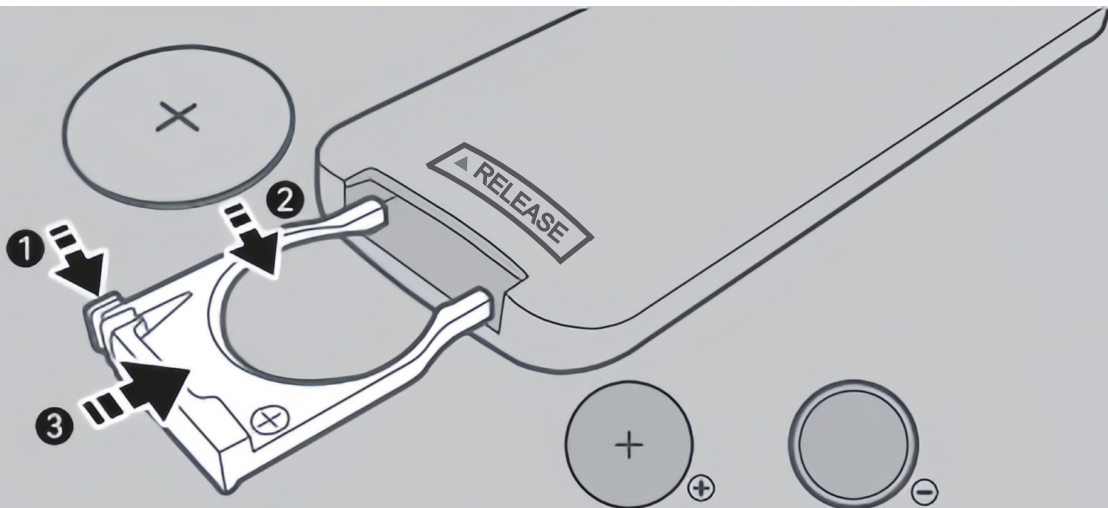
Notices

1. Please pull out the battery insulated plastic chip before using remote.
2. Press the lock key, the remote keys will be locked, press the lock key again, all the remote keys will be unlocked.

Installing & Replacing Batteries



- ◆ Replace with new battery of the same type (CR2025, 3V) when necessary.
- ◆ When not using the remote control for extended period of time, take out the battery.



- 1 Pinch the locking tab in then hold to pull the battery compartment out.
- 2 Replace the battery with the same type, making sure the (+)side facing up.
- 3 Push in the compartment until securely locked into place.

WARNING

- **INGESTION HAZARD:** This product contains a button cell or coin battery.
- **DEATH** or serious injury can occur if ingested.
- A swallowed button cell or coin battery can cause **Internal Chemical Burns** in as little as 2 hours.
- **KEEP** new and used batteries **OUT OF REACH OF CHILDREN.**
- **Seek immediate medical attention** if a battery is suspected to be swallowed or inserted inside any part of the body.



Battery Safety

- Remove and immediately recycle or dispose of used batteries according to local regulations and keep away from children. DO NOT dispose of batteries in household trash or incinerate.
- Even used batteries may cause severe injury or death. Call a local poison control center for treatment information.
- Use or replace with new battery of the same type (CR2025,3V).

- Non-rechargeable batteries are not to be recharged.
- DO NOT force discharge, recharge, disassemble, heat above 140°F/60°C or incinerate, Doing so may result in injury due to venting, leakage or explosion resulting in chemical burns.

Ensure the batteries are installed correctly according to polarity (+ and -).

- DO NOT mix old and new batteries, different brands or types of batteries, such as alkaline, carbon-zinc, or rechargeable batteries.
- Remove and immediately recycle or dispose of batteries from equipment not used for an extended period of time according to local regulations
- Always completely secure the battery compartment. If the battery compartment does not close securely, stop using the product, remove the batteries, and keep them away from children.

IMPORTANT SAFETY INFORMATION

Please carefully read the instructions and caution warnings below before assembling the product. Following this guide will ensure that you install, use and maintain the product properly.

- Please keep this installation and user manual/instructions for future reference in case you need to assemble the product.
- Do not assemble if you notice serious damage such as cracks or bends.
- During installation, please use work gloves for hand safety.
- Please assemble the unit on carpeted floor or the flat cardboard box to avoid scratching the surface or your floor while assembling on the floor.
- To assemble, please use the complimentary installation tools (Allen Wrench). Pay more attention to the direction of components at each steps.
- It is recommended that two people work together to assemble the product.
- Please do not tighten the screws up too much, just to 80% before you finish to make the installation go on successfully.

RETURN POLICY

We believe you will absolutely love your new product. But for some reason you want to return your item, please contact us within 30 days after receiving and ensure that the product which you want to return is in a good condition in the original box with all original certificates of purchase, manuals and accessories attached.

HOW TO MAINTAIN YOUR PRODUCT:

- Check the screws of the product are not loose from regular use.
- Do not use sharp instruments, rubbing alcohol, corrosive chemicals, or abrasive cleaners to clean the product.
- Do not keep the product in a damp environment for a long period of time. The damp environment may cause the