












# Assembly Instructions

**Caution: You must read this before you proceed**

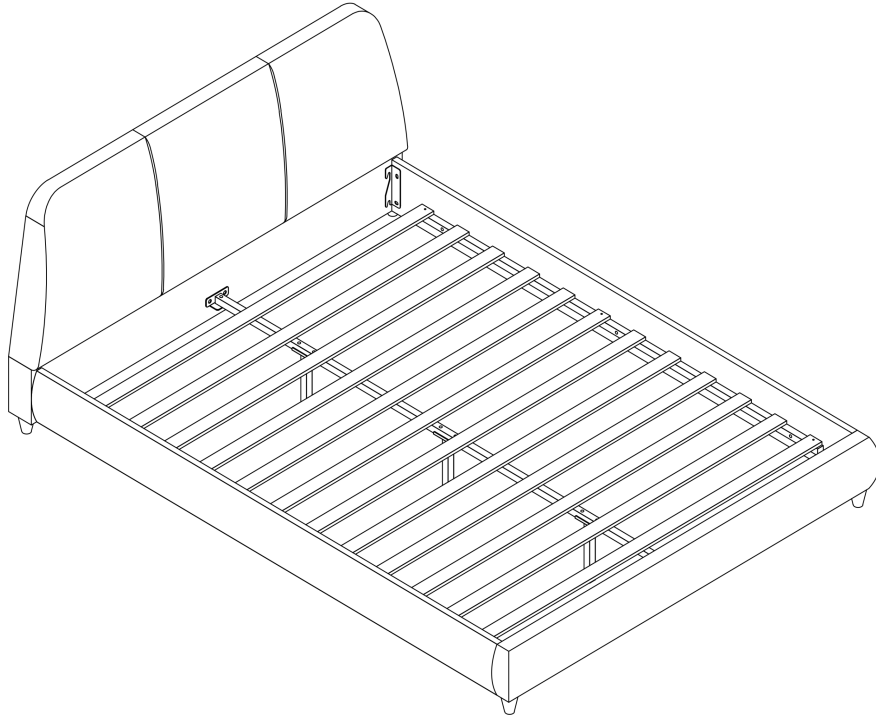
## Care & Maintenance

-  ● Not for commercial use. For residential use only.
-  ● Furniture may scratch floors. We recommend using furniture pads to protect your floors.
-  ● Do not put hot items directly on furniture surface.
-  ● Do not clean furniture with harsh cleansers or polish.
-  ● Do not place furniture under direct sunlight.
-  ● Do not place furniture near heating or cooling vents.
-  ● Do not write on furniture without a padded barrier to protect the surface.
-  ● Do not place furniture outside . For indoor use only.
-  ● Stains may be removed with mild soap solution and damp cloth.
-  ● Children should not climb or jump on the furniture.
-  ● Dust and pick-up spills using a clean, non-colored, lint-free cloth.

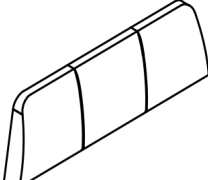
Please look in the box for hardware packs and legs.

Sets often ship in multiple boxes and may arrive a day or two apart.

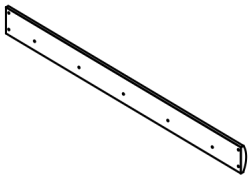
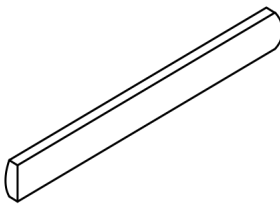
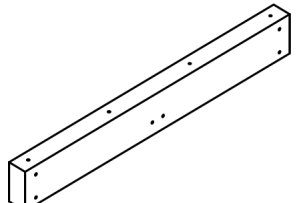
# Bed

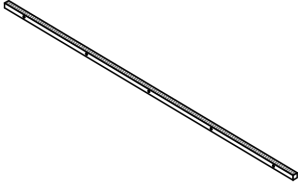
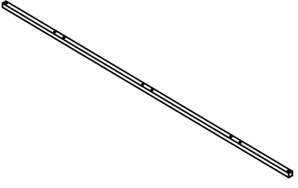
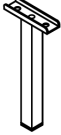

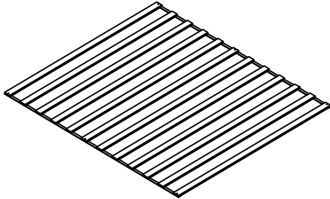


## Part List






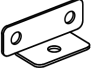

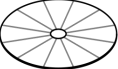
Label	Picture	Description	QTY
A		Head board	1

## Part List

B		Side rail	2
C		Foot board	1
D		Base board	1

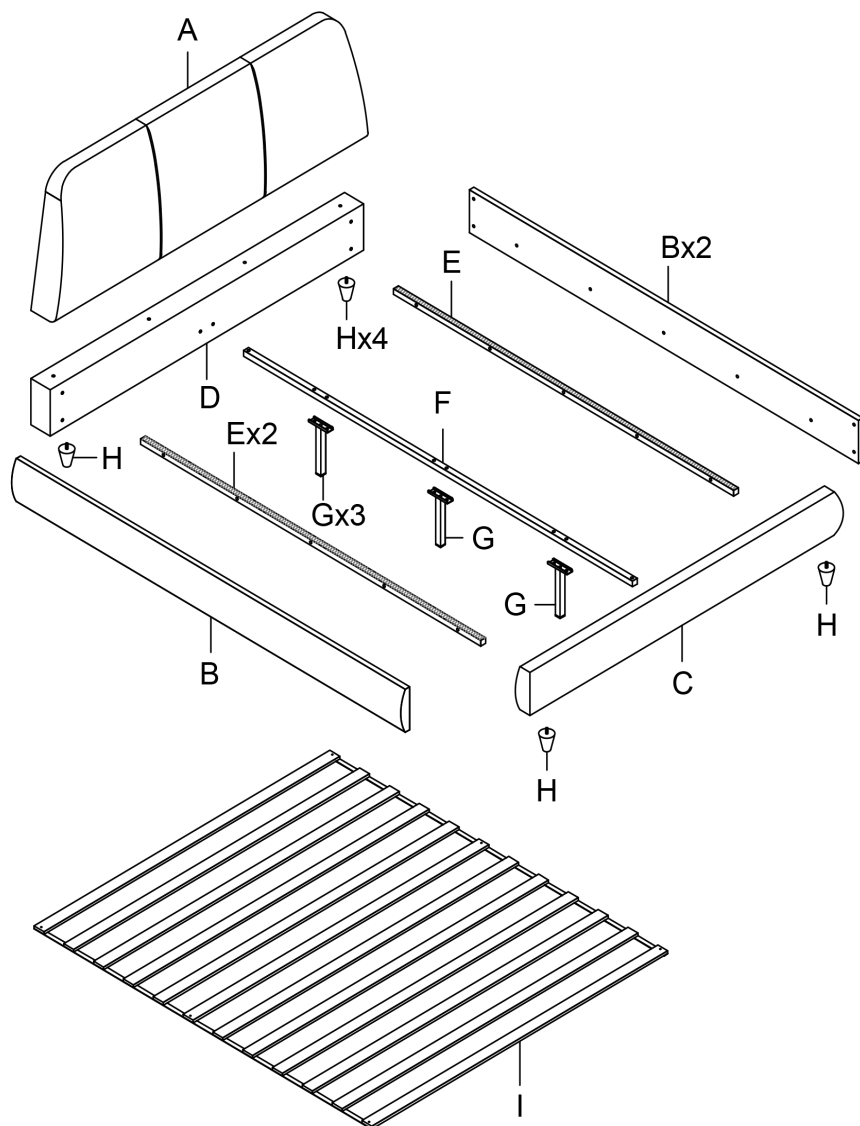
E		Side rails support bar	2
F		Center support bar	1
G		Middle support leg	3
H		leg	4
I		Slats	1









# Hardware






Label	Picture	Description	QTY
①		Allen Wrench	1
②		Bolts (M8x18mm)	20
③		Bolts (M8x40mm)	22
④		Nails (M4x30mm)	6
⑤		Washer	4
⑥		Center support bar fittings	2
⑦		Hinge	4
⑧		Twist gasket	4

# Assembly Preparation

Before Beginning Assembly:

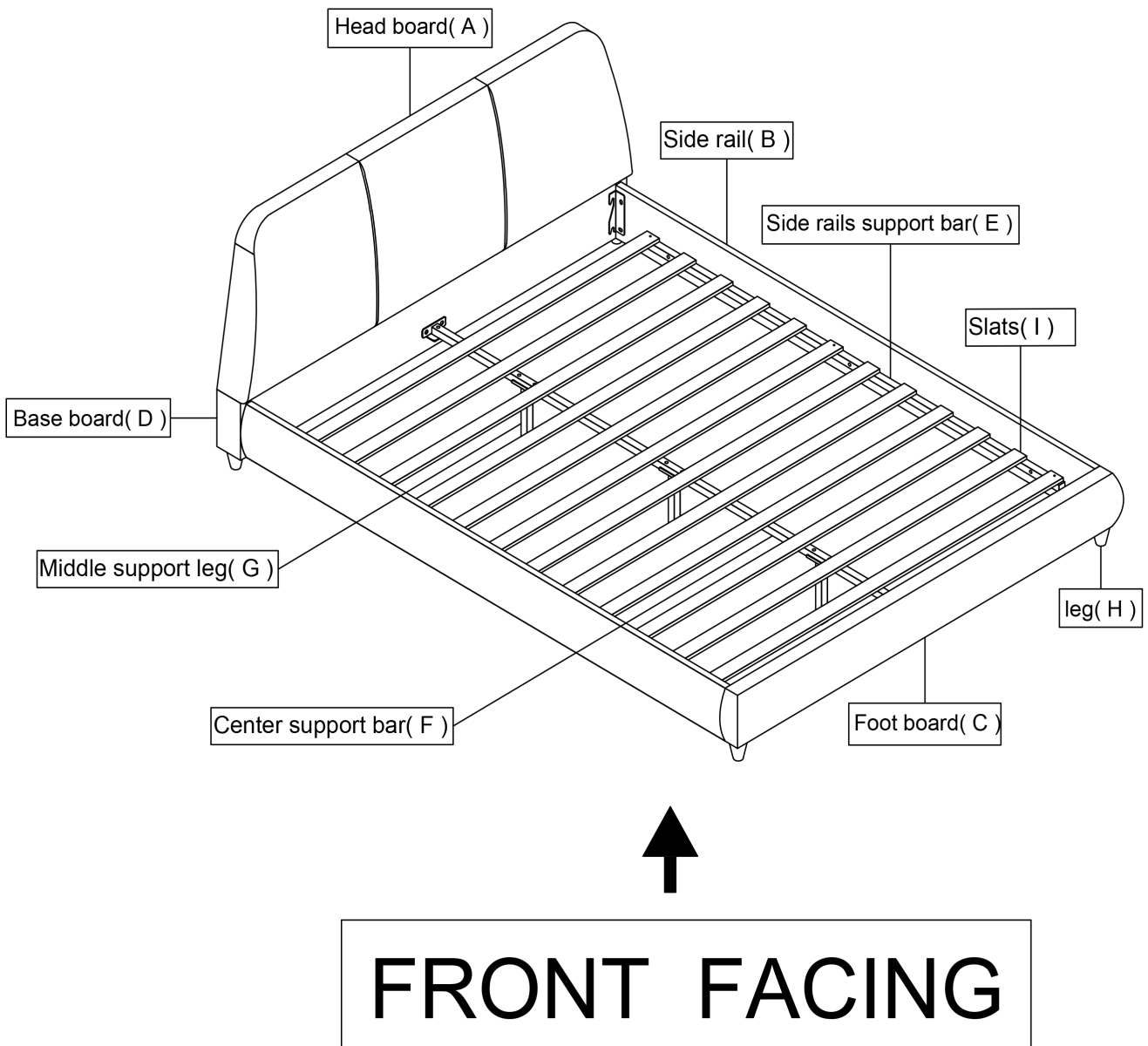


1		x1	5		x4
2		x20	6		x2
3		x22	7		x4
4		x6	8		x4

-  • Read instructions, cover to cover-
-  • Have 2 adults on hand for assembly-
-  • Do not assemble on flooring or carpet-
-  • Assemble on a clean non-marring surface (packing foam)-
-  • Save all packaging until finished-

## Assembly Steps

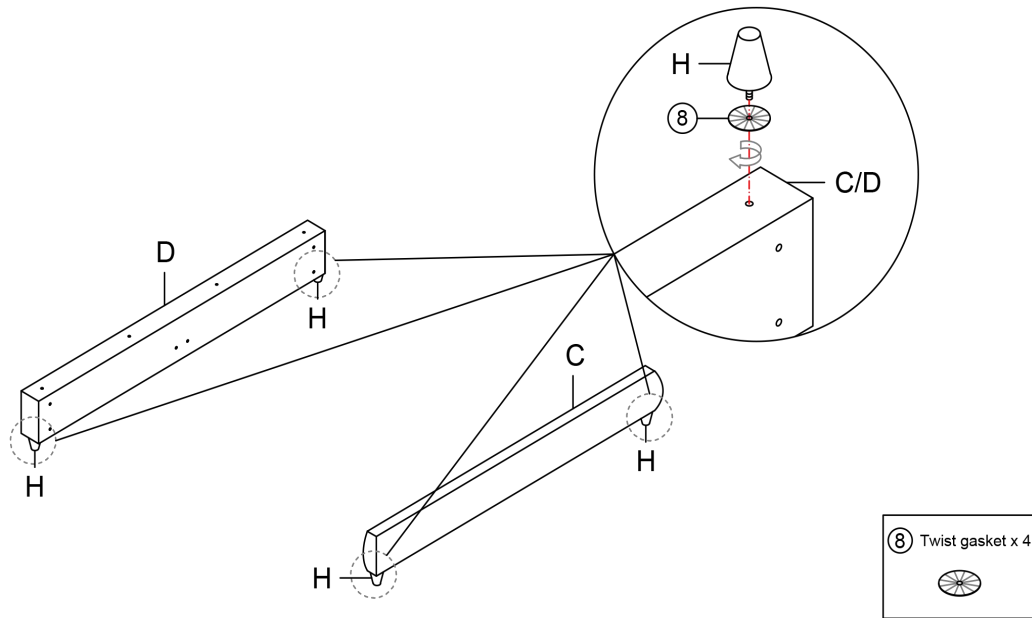
### OVERVIEW



This Bed have multiple parts and may require up to 45 minutes to assemble. To give you an overview of the Bed parts, the above picture is to help you put the various parts into perspective. Please read through the instructions below to familiarise yourself with the parts and steps before assembly.

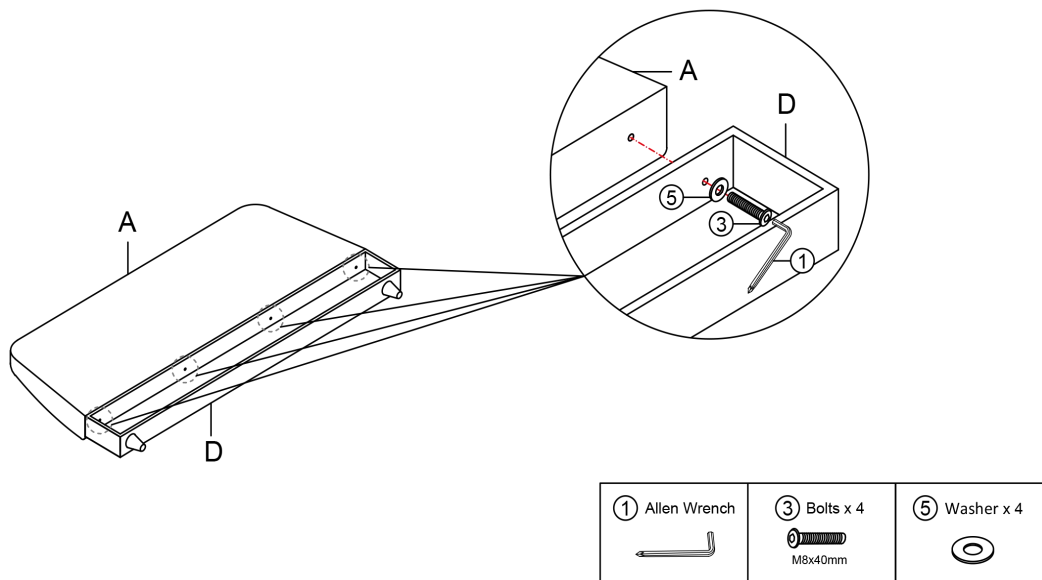
**Note: It is recommended that you have an adult partner to assist during the entire assembly process.**

**Step 1**



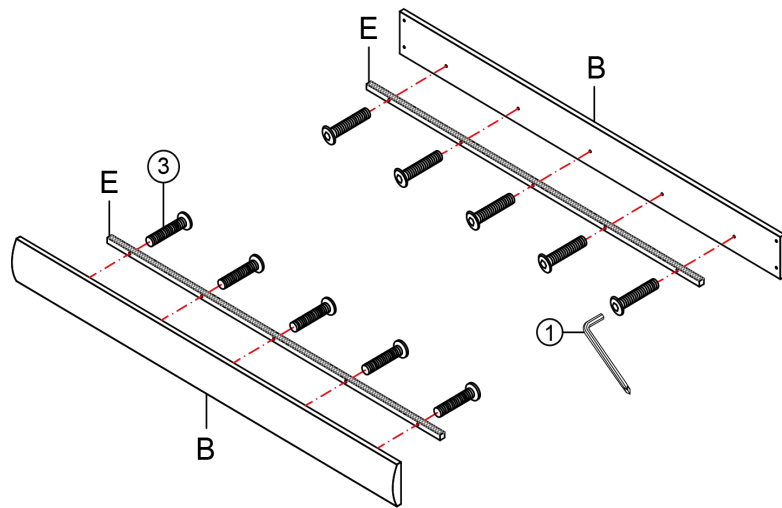
**Attach** the leg (H) **to** the Foot board (C) and Base board (D) **by using** Twist gasket (8).


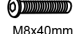
**Step 2**



**Attach** the Base board (D) **to** the Head board (A) **by using** Bolts (3) and Washer (5) **with** Allen Wrench (1).

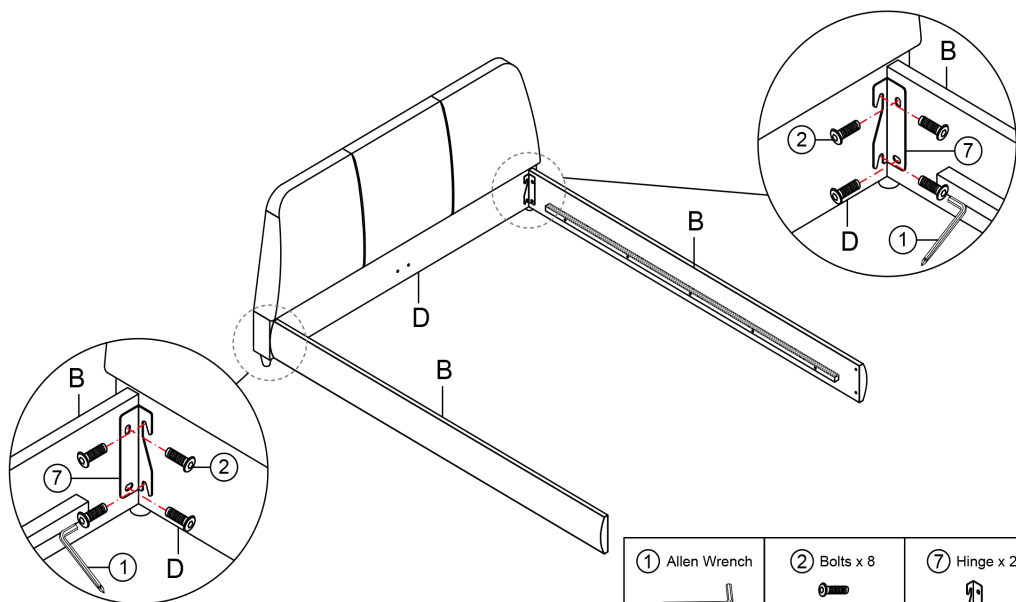
**Step 3**






① Allen Wrench 	③ Bolts x 10  M8x40mm
---	--

Attach the Side rails support bar (E) to the Side rail (B) by using Bolts ③ with Allen Wrench ①.  
NOTICE: DO NOT FULLY TIGHTEN BOLTS IN ONE GO, TIGHTEN THE BOLTS AFTER 10 BOLTS ③ ARE ATTACHED.

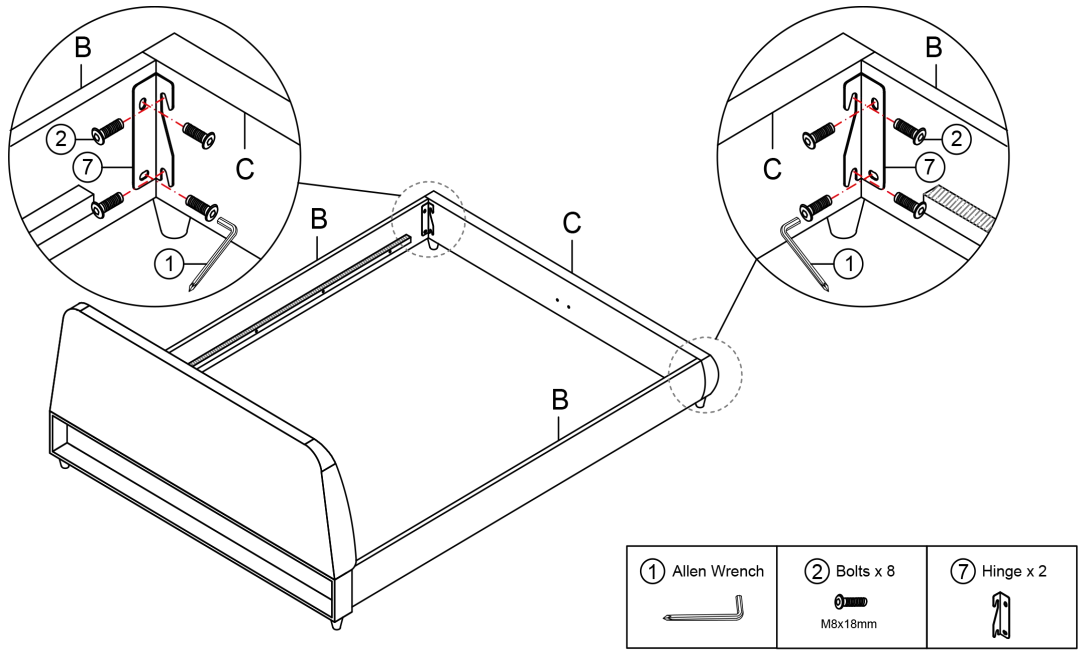
**Step 4**



① Allen Wrench 	② Bolts x 8  M8x18mm	⑦ Hinge x 2 
---	---	--

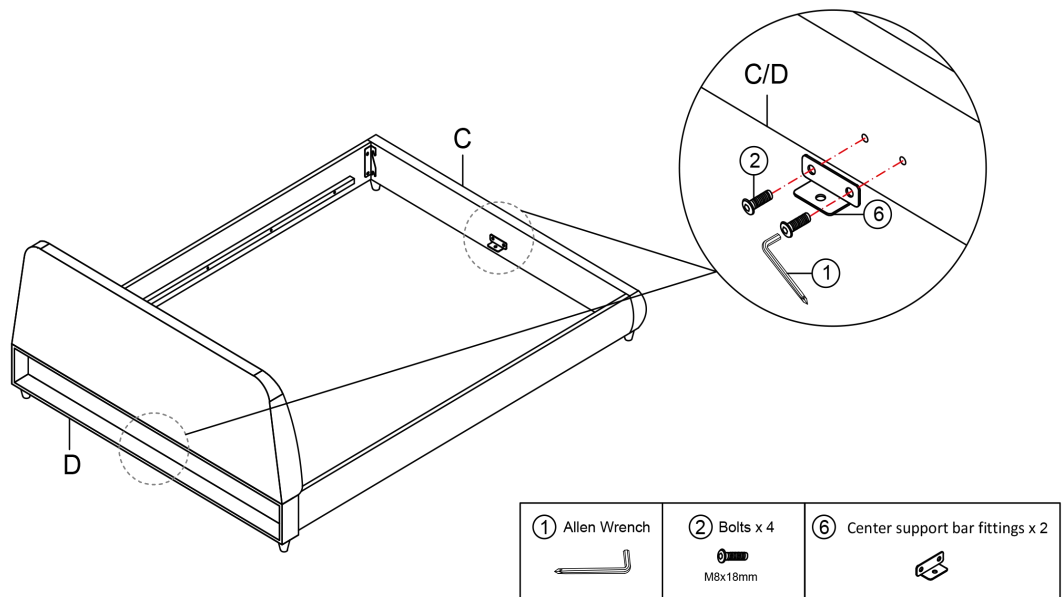
Attach the Side rail B to the Base board D by using Bolts ② and Hinge ⑦ with Allen Wrench ①.

### Step 5



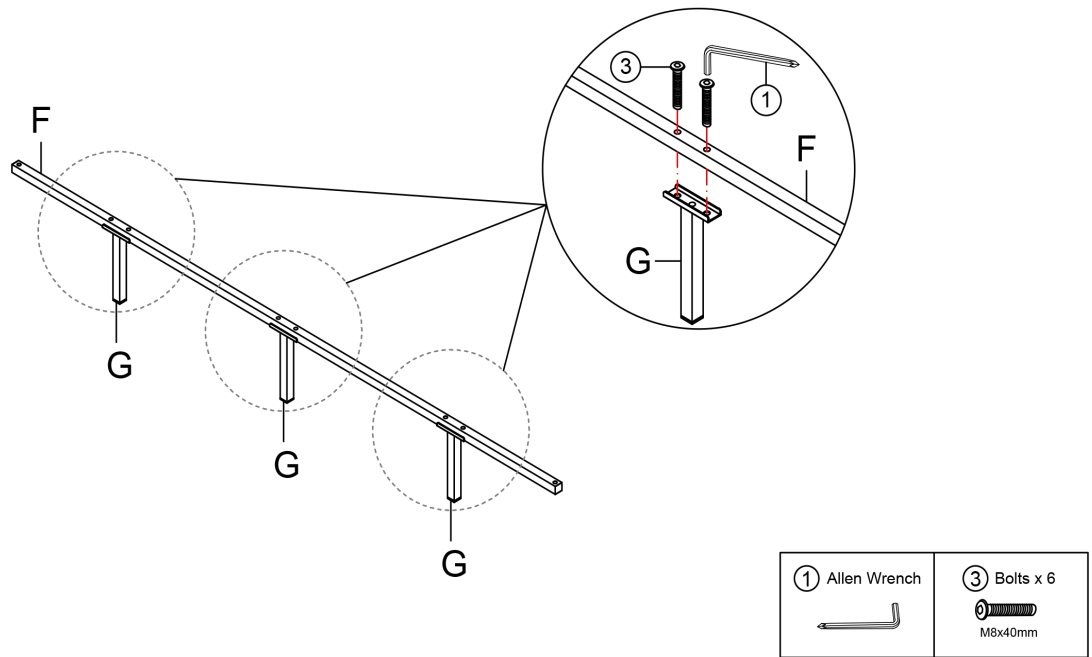
Attach the Foot board C to the Side rail B by using Bolts ② and Hinge ⑦ with Allen Wrench ①.

### Step 6



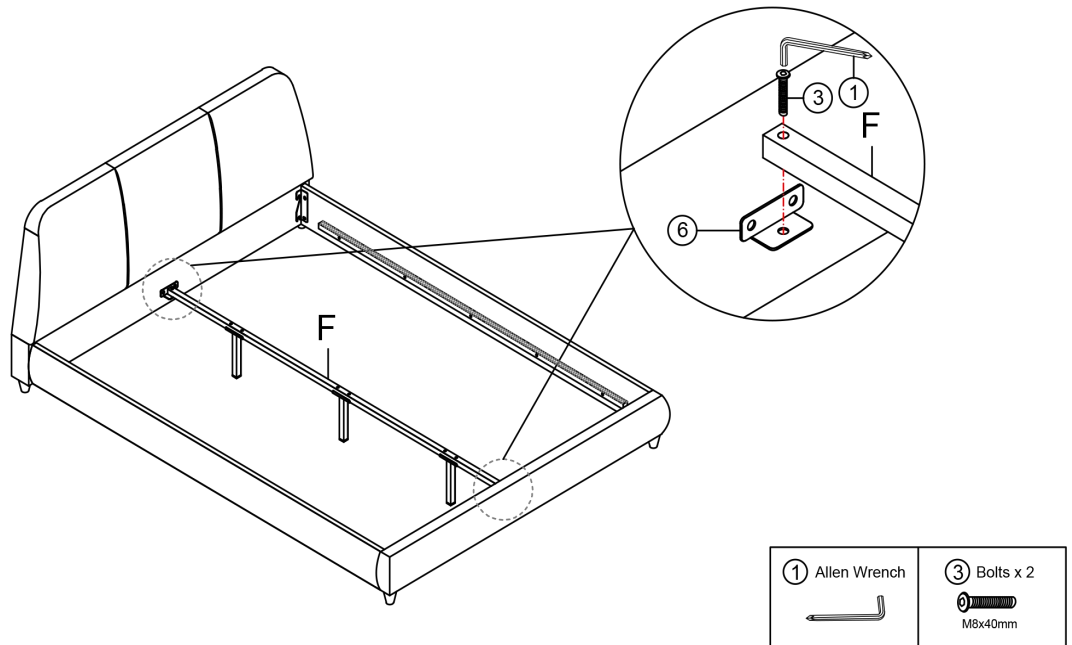
Attach the Center support bar fittings ⑥ to the Foot board C and Base board D by using Bolts ② with Allen Wrench ①.

### Step 7



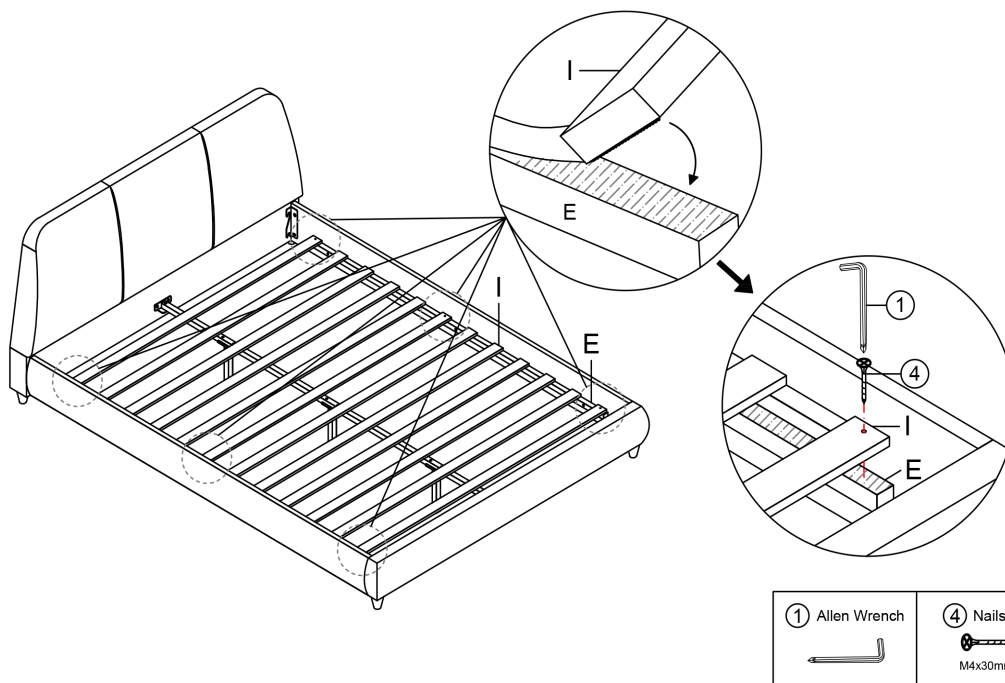
Attach the Middle support leg G to the Center support bar F by using Bolts ③ with Allen Wrench ①.

### Step 8



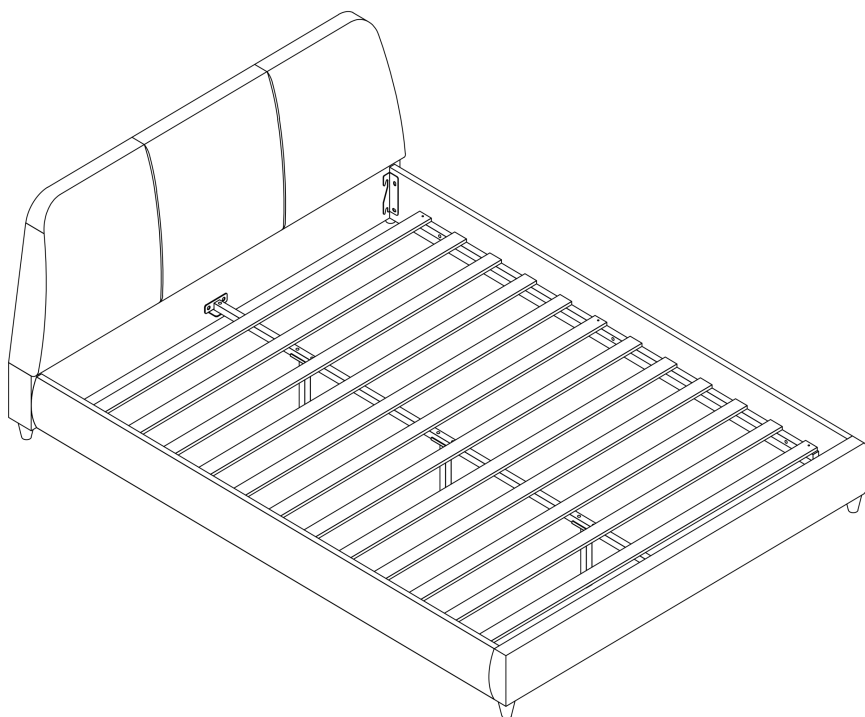
Attach the Center support bar F to the Center support bar fittings ⑥ by using Bolts ③ with Allen Wrench ①.

## Step 9



Attach the Slats I to the Side rails support bar E by using Nails ④ with Allen Wrench ①.

## Step 10



Your Bed is ready for use.  
This Bed can only be used on a flat, level surface.

Place the Bed on a **LEVEL SURFACE**.

Inspect it and make sure all parts are adequately connected.

Don't push too hard, shake on the bed.

This would help to align all the parts at all the joint areas.

**CAUTION 1:** When tightening these screws, tighten sequentially.

**DO NOT** tighten any screw fully and then towards the next one.

This would cause the frame to warp.

If there is still wobbles, loosen the screws and execute this same process. **DO NOT**

tighten any screw fully and then towards the next one.

**WARNING!! IF BED IS NOT STABLE, IT COULD LEAD TO DAMAGING THE PRODUCT.**

Ensure all screws are fully locked into position.