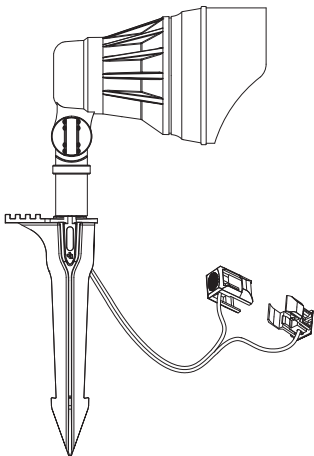




Low Voltage Landscape Spotlight

SKU: HGSL05A
[Instruction Manual]



Thank you for your purchase.
Please contact us if you have any questions.
We will get back to you within 24 hours.
Please attach your Order ID so that
we can serve you better.

FCC Warning

Changes or modifications to this unit not expressly approved by the party responsible for compliance could void the user's authority to operate the equipment.

NOTE: This equipment has been tested and found to comply with the limits for a Class B digital device, pursuant to Part 15 of the FCC Rules. These limits are designed to provide reasonable protection against harmful interference in a residential installation. This equipment generates, uses and can radiate radio frequency energy and, if not installed and used in accordance with the instructions, may cause harmful interference to radio communications.

However, there is no guarantee that interference will not occur in a particular installation. If this equipment does cause harmful interference to radio or television reception, which can be determined by turning the equipment off and on, the user is encouraged to try to correct the interference by one or more of the following measures:

- 1.Reorient or relocate the receiving antenna.
- 2.Increase the separation between the equipment and receiver.
- 3.Connect the equipment into an outlet on a circuit different from that to which the receiver is connected.
- 4.Consult the dealer or an experienced radio/TV technician for help.

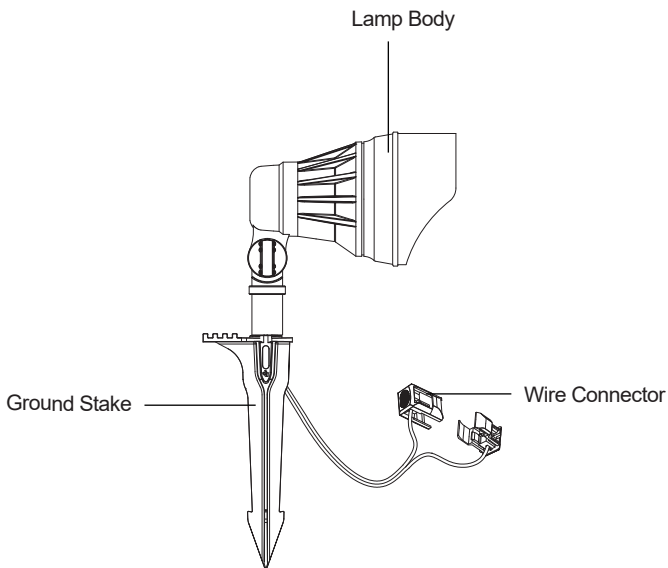
Warning

In order to avoid possible electric shock or personal injury and other safety accidents, please abide by the following specifications:

- 1.Never push the fixture into the ground by the lamp body or use a hammer to insert the ground stake into the ground. Strictly observe the operation of this manual and use this instrument. Otherwise, the protection function of the instrument may be damaged or weakened.
- 2.The wire connector contacts have sharp edges for piercing the main low voltage cable. To avoid injury, do not touch the metal contacts.
- 3.The wire from low voltage power unit should be 12-16 AWG type underground low Energy Circuit Cable.

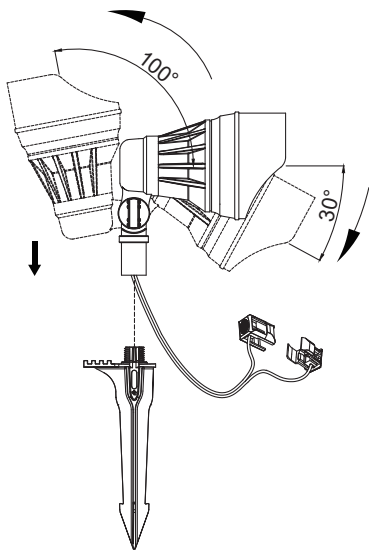
4. Protect the wiring by routing it in close proximity to the light fitting, or next to a building structure such as a house or a deck. The landscape wire and connector can also be hidden under stone or buried under grass at a maximum depth of 6 in. (15.24 cm). Do not install the fixture within 10ft of a pool, spa, or fountain. Do not submerge the fixture in water.
5. Clean the fixture with a soft dry cloth. Do not use any cleaners with chemicals, solvents or harsh abrasives.

Product Layout

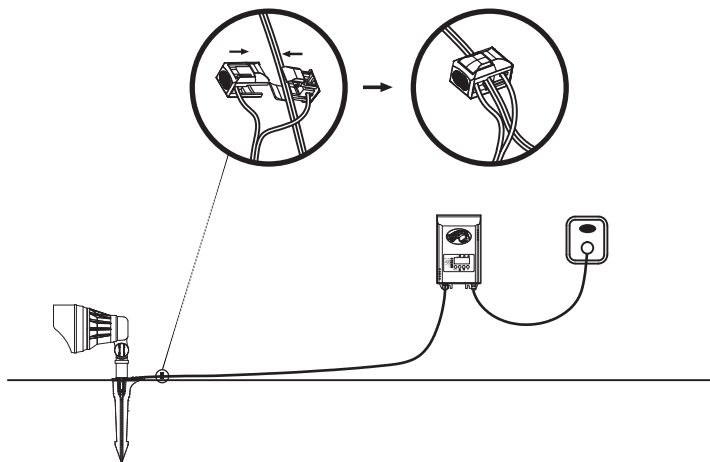


Installation

1. Insert the fixture wire on the wire connector into the groove located on the top of the ground stake. Ensure the fixture wire on the wire connector stays in the center of the groove to avoid damage to the fixture wire.
2. Screw the lamp body onto the top of the ground stake.
3. Prepare a hole in the installation location. Use a tool such as a screwdriver to prepare the installation hole to ensure that the hole is not larger than the ground stake.
4. Install the fixture in the ground by pushing on the foot step on the ground stake. Do not push on the lamp body. The lamp body can rotate up and down 145 degrees.



5. Place the wire connector on opposite sides of the low voltage cable (not included) from the transformer (not included) where the fixture will be located.
6. Align and fit the main low voltage cable vertically to the slot of the wire connector.
7. Press the wire connector together until it is locked around the main low voltage cable. The pre-set prongs will pierce the cable insulation and establish contact with the electrical wire inside.
8. Once the wire connector is in place, it is recommended to wrap it with electrical tape (not included).
9. After all fixtures are installed, turn on the transformer.



Troubleshooting

Problem	Possible Cause	Solution
The fixture will not light.	<ul style="list-style-type: none"> - There is no power. - There is a disconnection or break in the wire. - The transformer setting is incorrect. 	<ul style="list-style-type: none"> - Check the outlet and ensure that a breaker or GFCI circuit has not been tripped. - Follow the wires from the fixture and ensure a continuous connected path back to the transformer. - Check the settings on the transformer.
The light flickers (one fixture).	<ul style="list-style-type: none"> - There is a loose wire connector to the fixture. 	<ul style="list-style-type: none"> - Tighten the wire connector and ensure the metal contacts pierce the insulation on the low voltage cable from the transformer.
The lights flicker (all fixtures).	<ul style="list-style-type: none"> - There is a loose connection at the transformer. 	<ul style="list-style-type: none"> - Unplug the transformer from the outlet and visually inspect the positive and negative connecting points. Each wire should be securely screwed in and not in contact with any other.

Cable Selection

12 VOLT TAP	Cable Length		
	0-50 feet	51-100 feet	101-150 feet
Total Fixture Wattage			
0-60 Watts	16 AWG	16 AWG	14 AWG
61-120 Watts	16 AWG	14 AWG	12 AWG
121-180 Watts	14 AWG	12 AWG	Not Recommended
181-240 Watts	14 AWG	12 AWG	Not Recommended
241-300 Watts	12 AWG	Not Recommended	Not Recommended
600W Transformer = (2x300) Watts	12 AWG	Not Recommended	Not Recommended
900W Transformer = (3x300) Watts	12 AWG	Not Recommended	Not Recommended

Specifications

- Input Voltage: 12VAC, 60Hz
- Power Rating: 13.3W
- Color Temperature: 3000K

One Year Limited Warranty

DEWENWILS warrants this product to be free from defects in material and workmanship for a period of one year from the date of purchase.

Warranty is void if damage is caused by misuse or improper installation.

Our dedicated customer service team will get back to you within 24 hours.

