



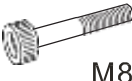

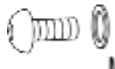
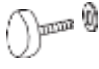


DURING ASSEMBLY CHECK AND TIGHTEN ALL BOLTS

A	 M8X38	4PCS	D		2PCS	G	 M6X25	4PCS
B		2PCS	E	 M8X65	2PCS	H		1SET
C	 M6X20	2PCS	F		2PCS			

