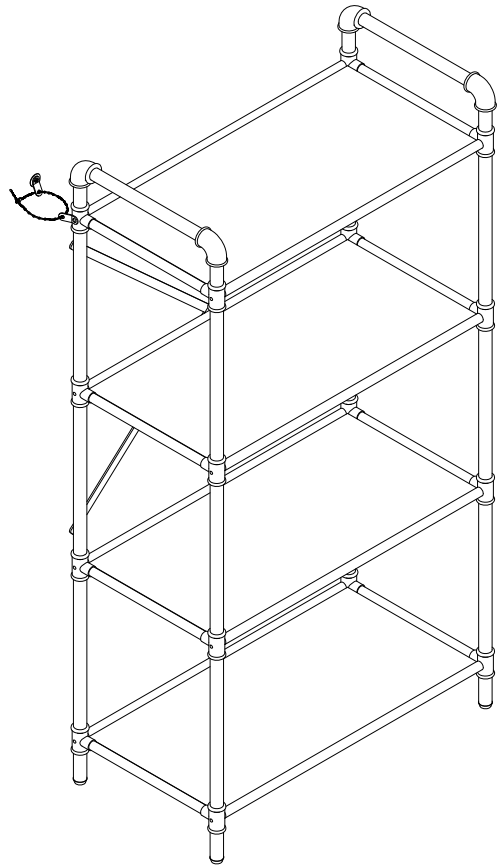
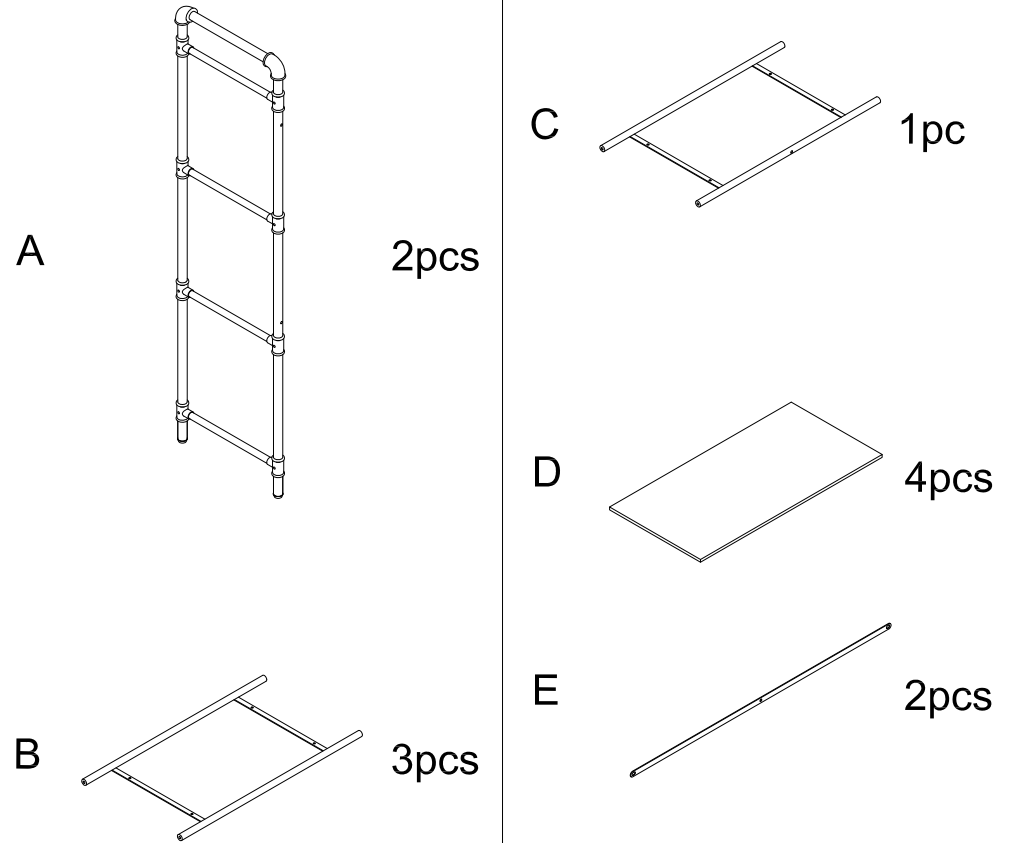


ASSEMBLY INSTRUCTIONS











Do not tighten screws until completely assembled.

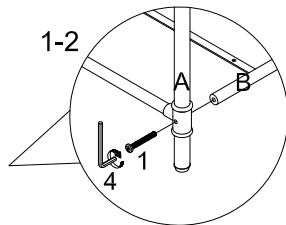
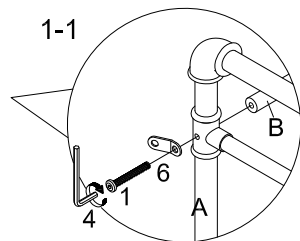
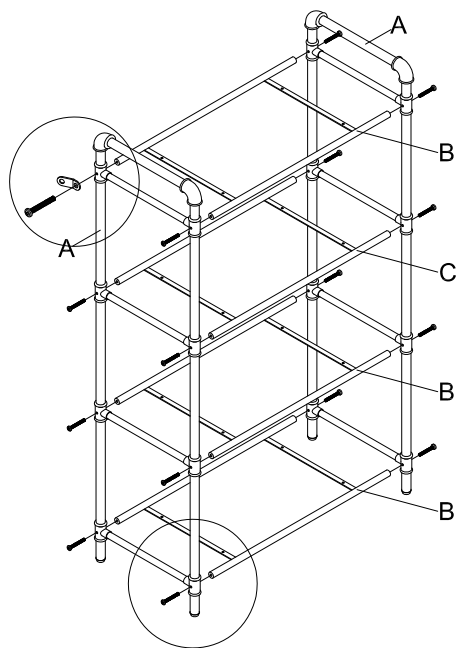
PARTS IDENTIFICATION





HARDWARE LIST

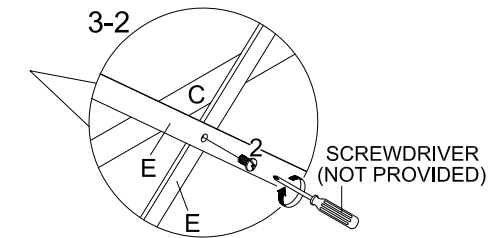
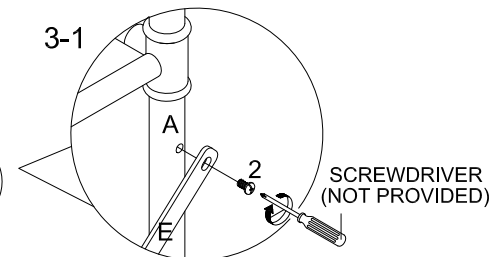
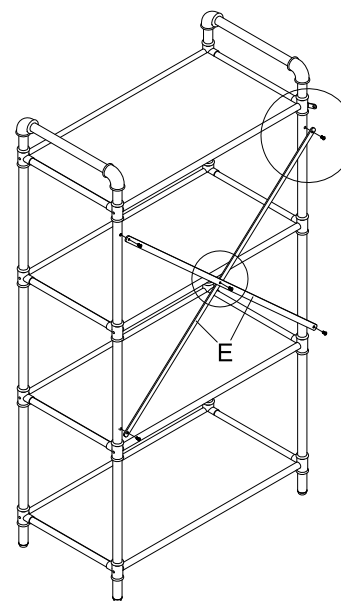
1		16pcs	2		5pcs	3		16pcs
M6x45			M5x10			M5x10		
4		1pc	5		1pc	6		2pcs
4x4			M4x37					
7		1pc	8		1pc			

STEP 1.



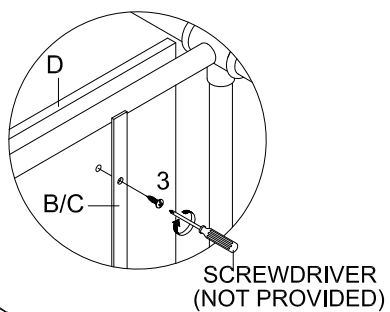
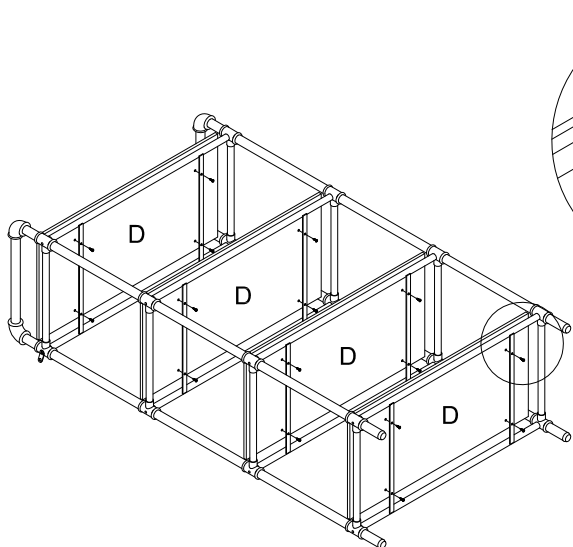
1		16pcs
6		1pc


STEP 3.



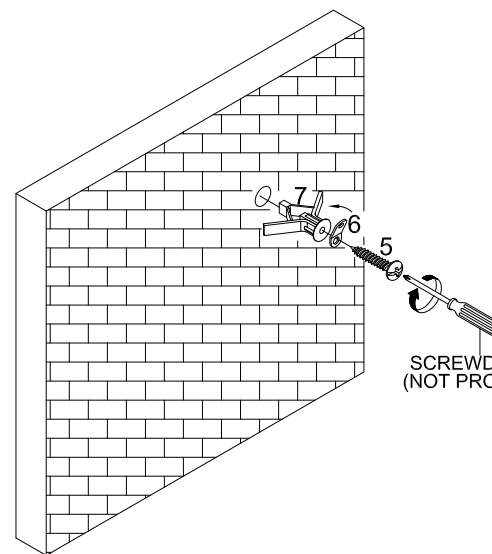
2		5pcs
M5x10		

STEP 2.






3		16pcs
M5x10		

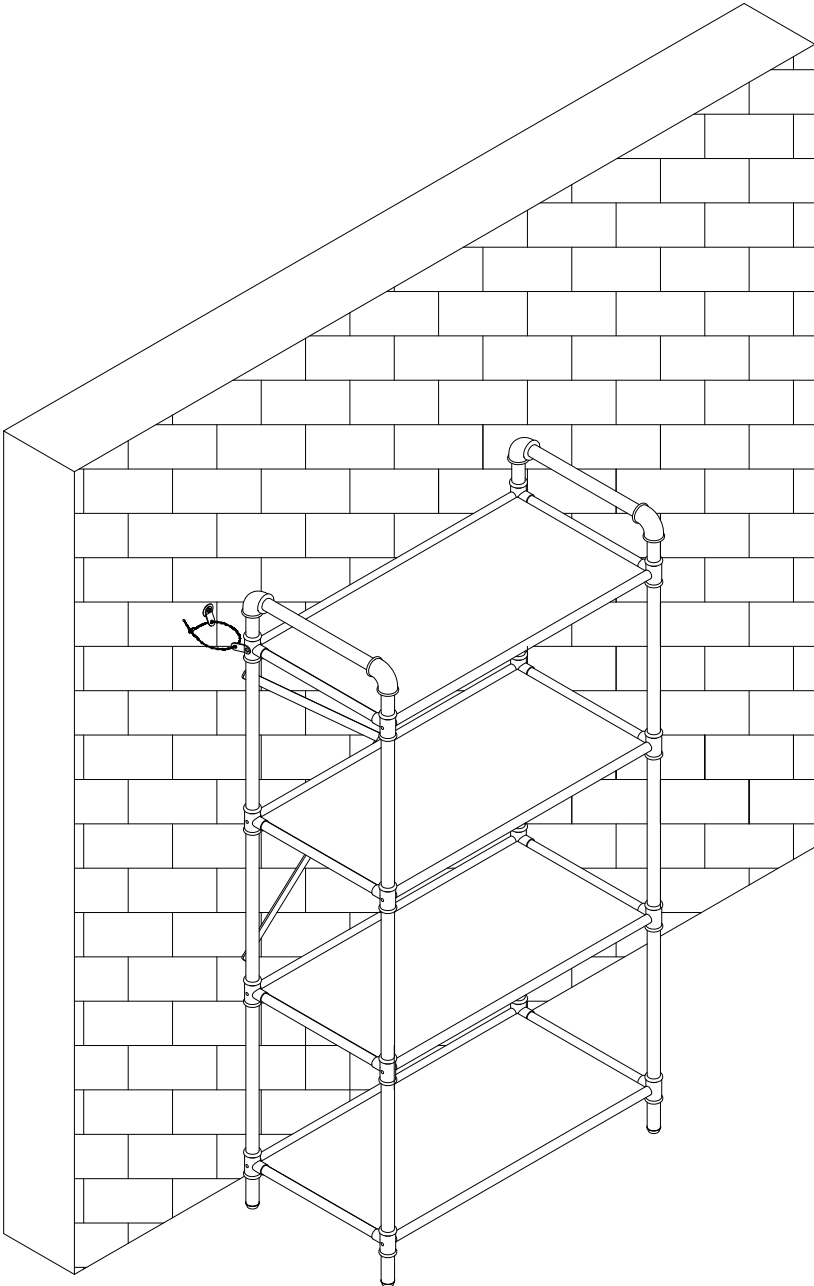
STEP 4.



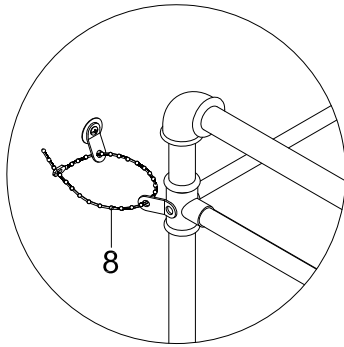
SCREWDRIVER (NOT PROVIDED)


5		1pc
M4x37		
6		1pc
7		1pc

STEP 5.



To Prevent Tip over
Product Must Be
Attached To Wall



8  1pc