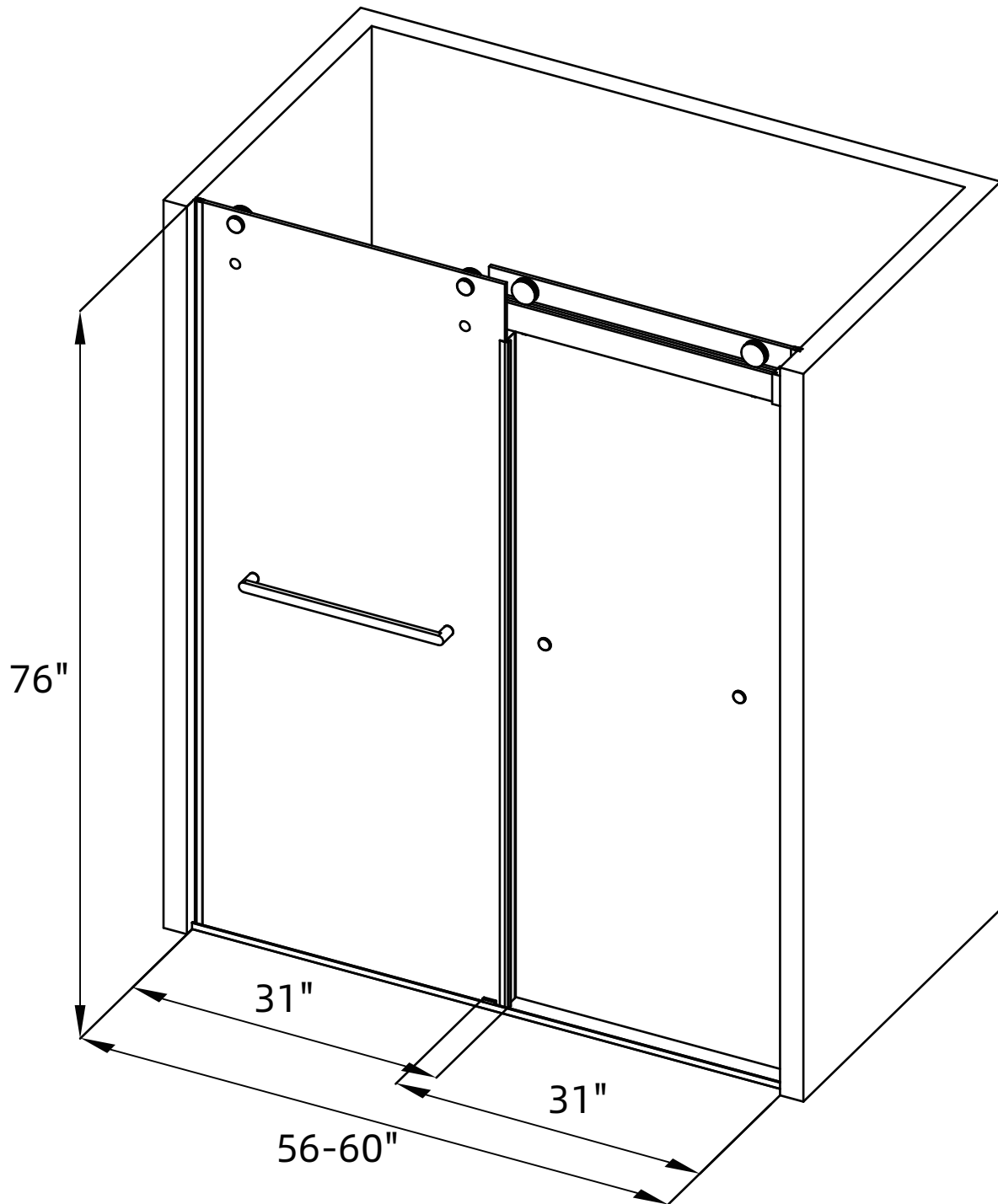


# Dimension/Specification



RX-SD02-6076CH