

# Assembly Instructions

**Caution : You must read this before you proceed**

## Care & Maintenance



- Not for commercial use. For residential use only.



- Do not put hot items directly on furniture surface.



- Do not clean furniture with harsh cleansers or polish.



- Do not place furniture under direct sunlight.



- Do not place furniture near heating or cooling vents.



- Do not write on furniture without a padded barrier to protect the surface.



- Do not place furniture outside . For indoor use only.



- Stains may be removed with mild soap solution and damp cloth.



- Children should not climb or jump on the furniture.



- Dust and pick-up spills using a clean, non-colored, lint-free cloth.





Please look in \*\*\*\*\* for hardware packs and legs.

Sets often ship in multiple boxes and may arrive a day or two apart.

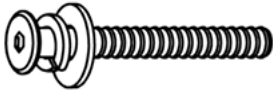

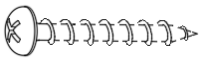
# BAR TABLE



## Part List

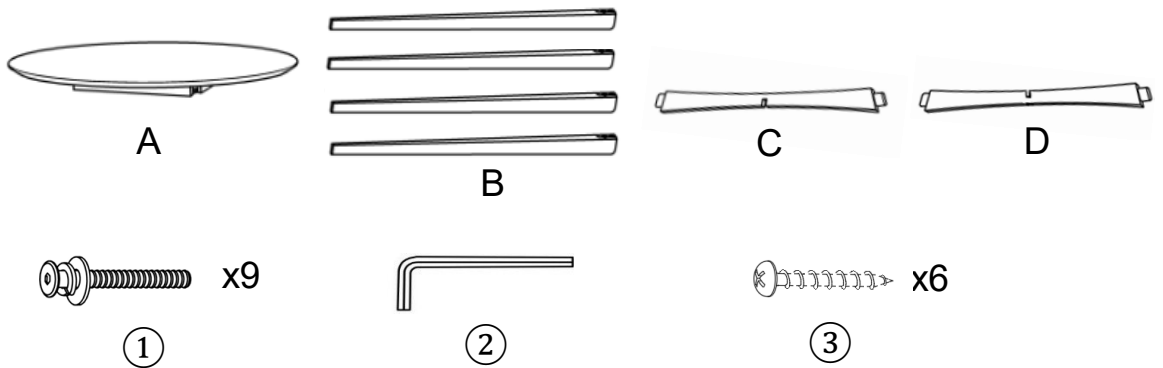
Label	Picture	Description	QTY
A		Table Top	1
B		Table Leg	4
C		Upper Cross Bar	1
D		Lower Cross Bar	1

# Hardware

Label	Picture	Description	QTY
①		JCBB M8 x 80mm + S/W 5/16" + F/W 5/16" x 22mm	9
②		Allen Wrench	1
③		Pan Head Screw #8 x 32mm	6

# Assembly Preparation

Before Beginning Assembly:



- Read instructions, cover to cover-



- Have 2 adults on hand for assembly-



- Do not assemble on flooring or carpet-



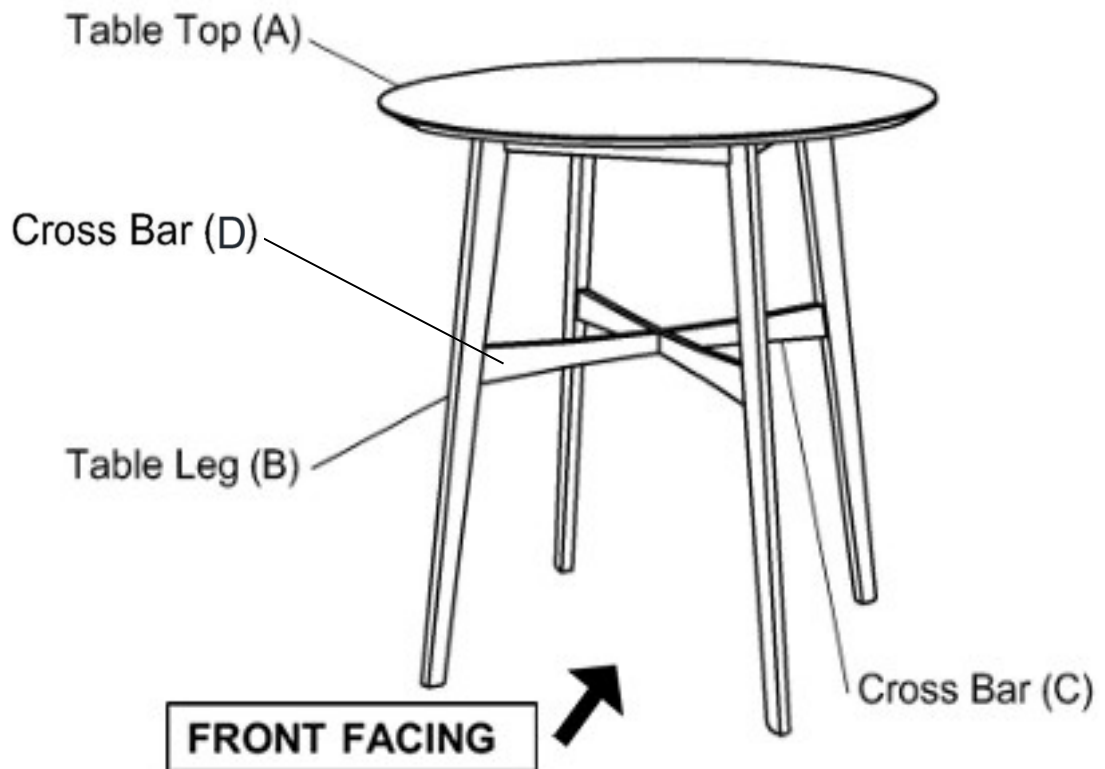
- Assemble on a clean non-marring surface (packing foam)-



- Save all packaging until finished-

# Assembly Steps

## Overview



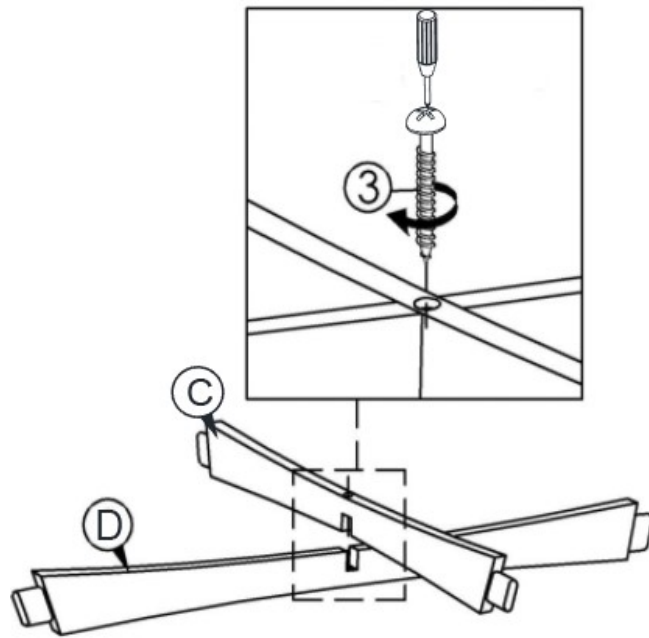
This Bar Table has multiple parts and may require up to some 30 minutes to assemble. To give you an overview of the Bar Table parts, the above picture is to help you put the various parts into perspective. Please read through the instructions below to familiarise yourself with the parts and steps before assembly.

## Step 1



Unpack and place all parts on a clean, non-marring surface.

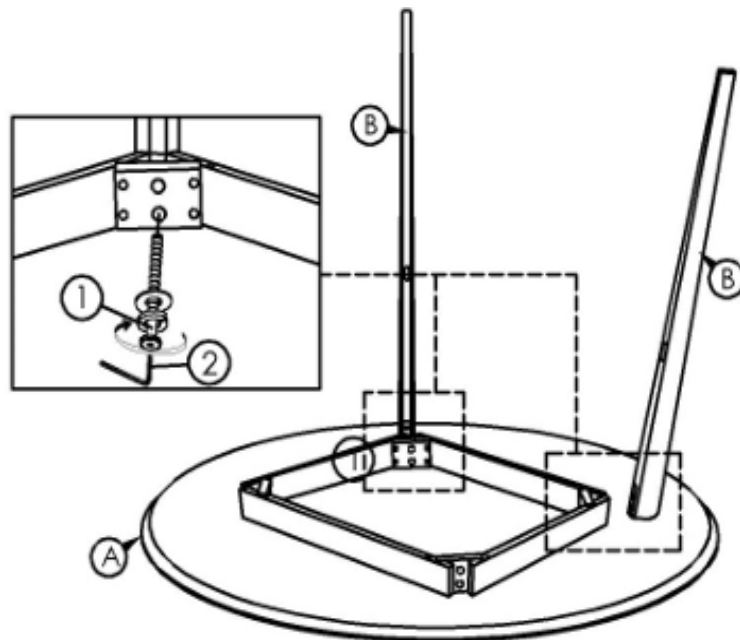
## Step 2



Crossover the Cross Bar (C) & (D) as shown.  
Fix the Cross Bar with Pan Head Screw #8 x 32mm (3) using Screwdriver (not provided).

**DO NOT FULLY TIGHTEN SCREWS.**

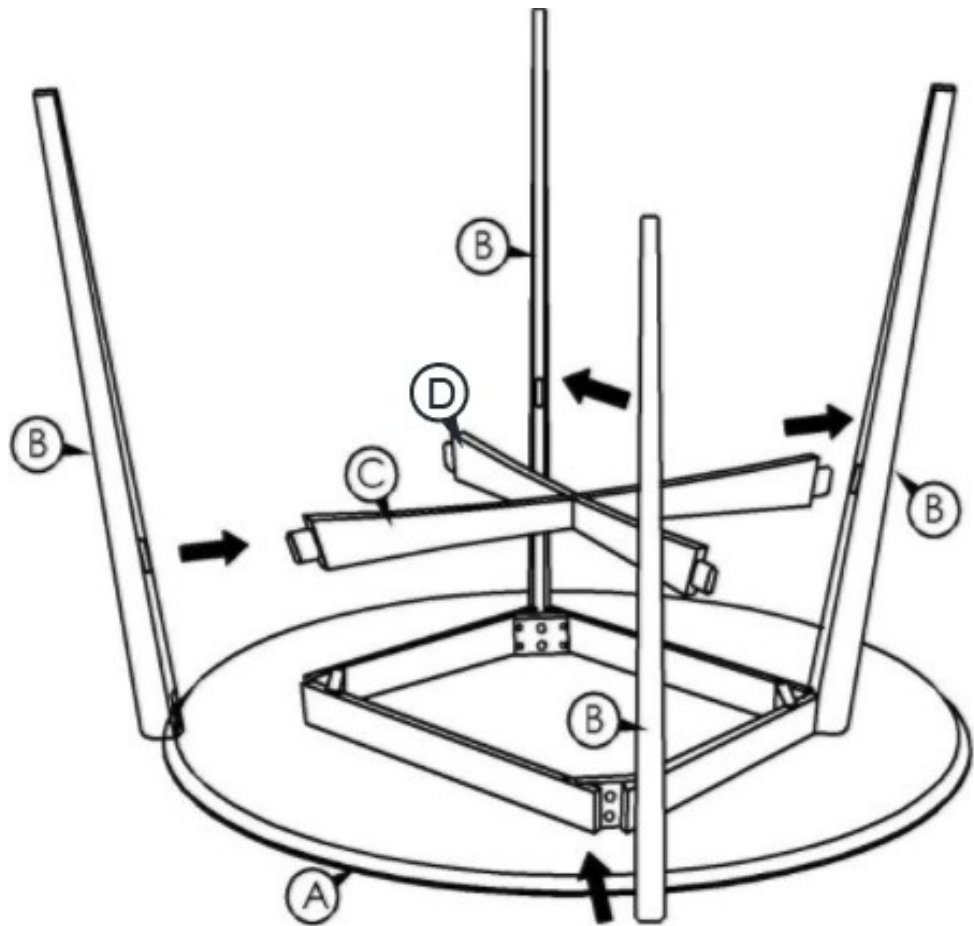
## Step 3



Place the Table top (A) on a soft surface to avoid any scratches or damages to the product and place the Table Leg (B) onto the of table top corner block with your adult partner. Fix the Table Top (A) with JCB Bolt (1) + Spring Washer + Flat Washer using Allen Wrench (2). Repeat the step for another leg.

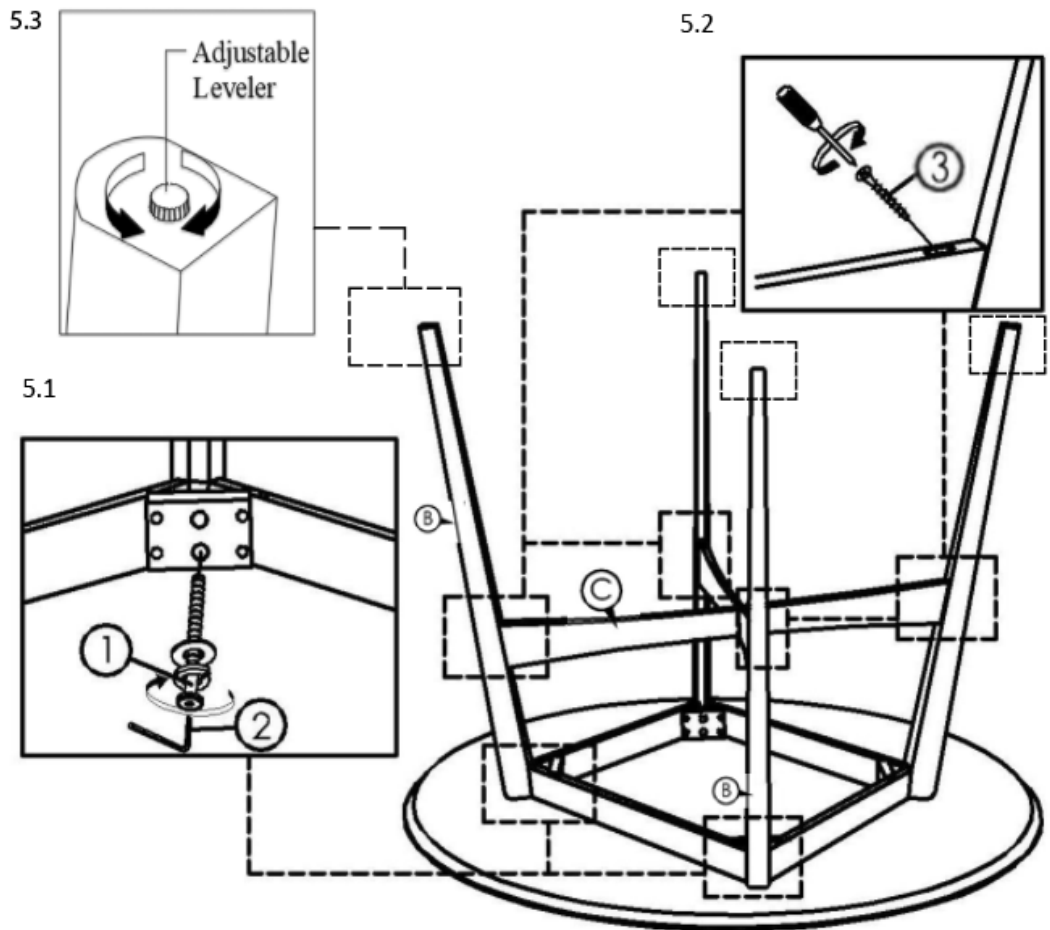
**DO NOT FULLY TIGHTEN BOLTS.**

## Step 4



- (4.1) With assistance from your adult partner, Slot in the Cross Bar (C) & (D) into the mounting position of Table Leg (B) as shown.
- (4.2) Then slot in another two Table Legs onto the Cross Bar and Table Leg Corner Block.

## Step 5



5.1 Repeat step 2, Fix the Table Leg (B) with JCBB Bolt (1) + Spring Washer + Flat Washer using Allen Wrench (2).

5.2 Fix the Cross Bar (C) & (D) with Pan Head Screw (3) using Screwdriver (not provided).

In case the table wobbles, need loosen tighten the screw and bolts, and use your hand press the top of the table, to make sure the table evenness, and then full tighten the bolts sequence.

### **FULLY TIGHTEN THE BOLT.**

With assistance from your adult partner, stand the Table up.

5.3 If the table is unstable due to uneven flooring, adjust the adjuster on the table legs to ensure proper leveling.

Your Table is now ready for use.

Completed  
Assembly



## Questions & Answers about Proposition 65

- What is Proposition 65?

Proposition 65 requires businesses to provide warnings to Californians about significant exposures to chemicals that cause cancer, birth defects or other reproductive harm. These chemicals can be in the products that Californians purchase, in their homes or workplaces, or that are released into the environment. By requiring that this information be provided, Proposition 65 enables Californians to make informed decisions about their exposures to these chemicals.

Proposition 65 also prohibits California businesses from knowingly discharging significant amounts of listed chemicals into sources of drinking water.

Proposition 65 requires California to publish a list of chemicals known to cause cancer, birth defects or other reproductive harm. This list, which must be updated at least once a year, has grown to include approximately 900 chemicals since it was first published in 1987.

- What types of chemicals are on the Proposition 65 list?

The list contains a wide range of naturally occurring and synthetic chemicals that include additives or ingredients in pesticides, common household products, food, drugs, dyes, or solvents. Listed chemicals may

- What does a warning mean?

If a warning is placed on a product label or posted or distributed at a workplace, a business, or in rental housing, the business issuing the warning is aware or believes that it is exposing individuals to one or more listed chemicals.

By law, a warning must be given for listed chemicals unless the exposure is low enough to pose no significant risk of cancer or is significantly below levels observed to cause birth defects or other reproductive harm.

- Where can I get more information on Proposition 65?

If you have specific questions on the administration or implementation of Proposition 65, you can contact OEHHA's Proposition 65 program at [P65.Questions@oehha.ca.gov](mailto:P65.Questions@oehha.ca.gov), or by phone at (916) 445-6900.