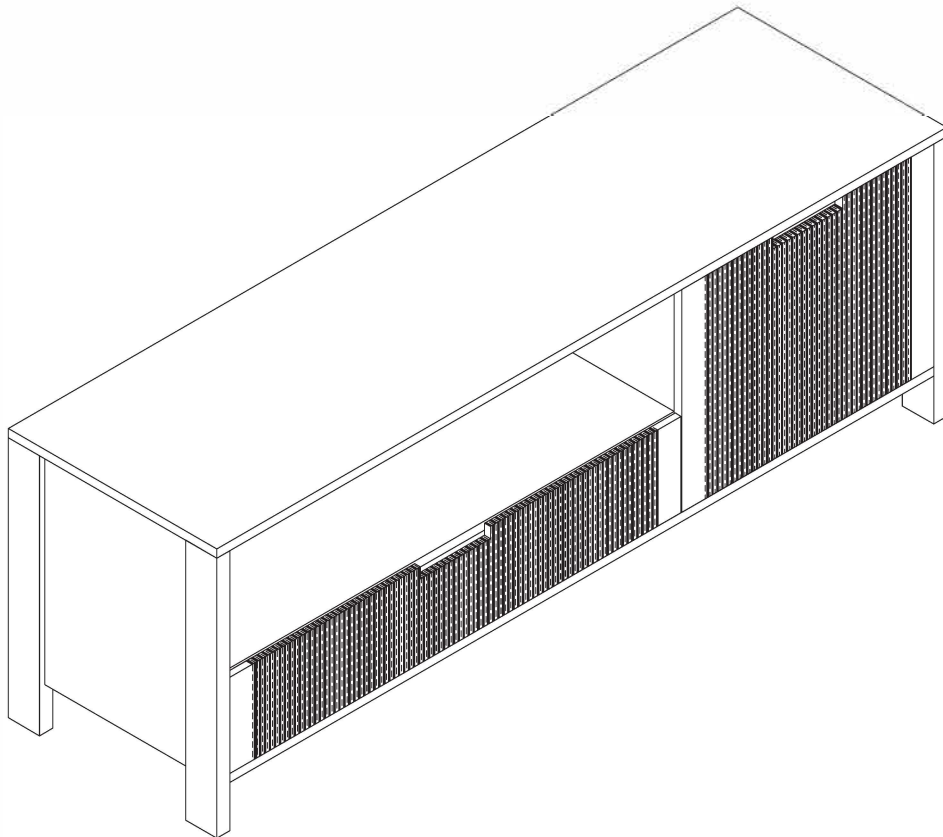


Living Room

# TV Console



## ASSEMBLY INSTRUCTIONS



**60** min. assembly

**2** person

\*The estimated assembly time may vary depending on the individual.

# Hey, there

Now is assembly time!

Deeeeeeep breathe.... and again....  
Tools ready,  
Easy peasy!

## Estimated



**60** min. assembly  
**2** person

## Tools Required

- Phillips screwdriver (not included)
- Power Drill (not included)

**important:** *Cautious when you use power tools*

Thank you for purchasing this product.

This product has been manufactured with the highest standards of safety and quality.

**PLEASE READ ALL INSTRUCTIONS CAREFULLY BEFORE ASSEMBLY.**

Un pack all parts from the packaging inside the carton to ensure there are no missing or damaged parts. Lay out all the parts on a clean, flat, and soft surface to prevent scratches. Refer to the steps provided as assembling guide.

Do not attempt to assemble or use the product if any parts are missing or damaged.

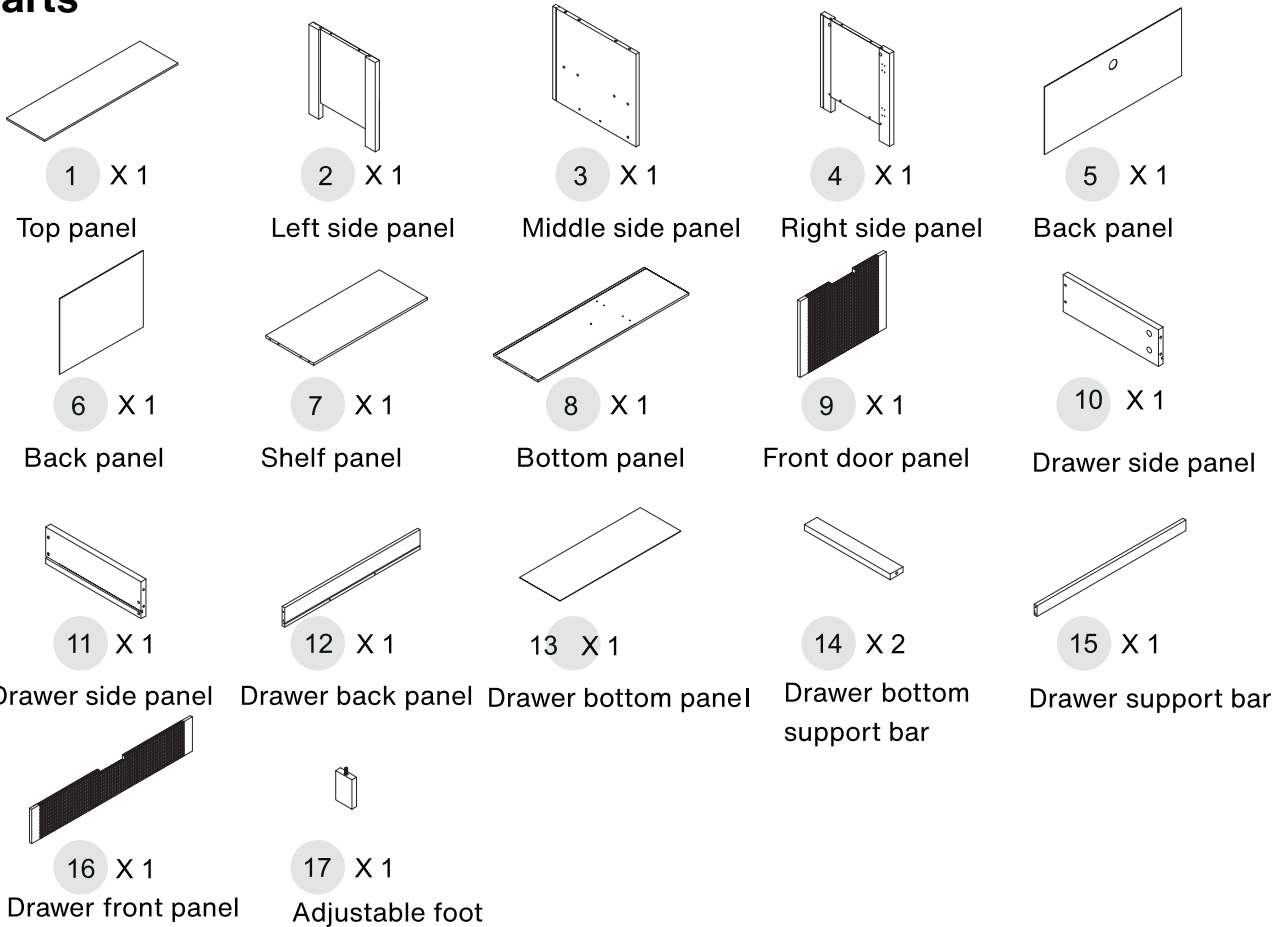
## REMINDERS

### SAFE USAGE IS KEY

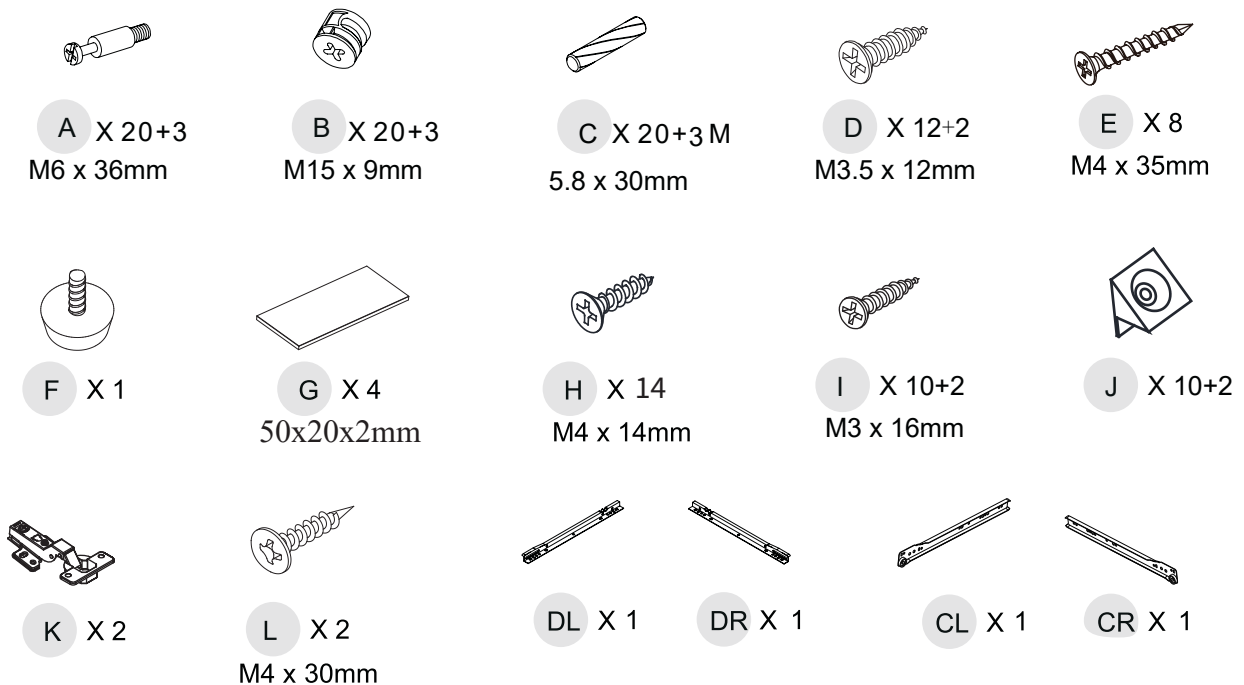
Your well-being is our top priority when you use our product. Please prioritize your safety by diligently following the assembly guidelines and inspecting the product carefully both when it arrives and before each use.

# What's in the box

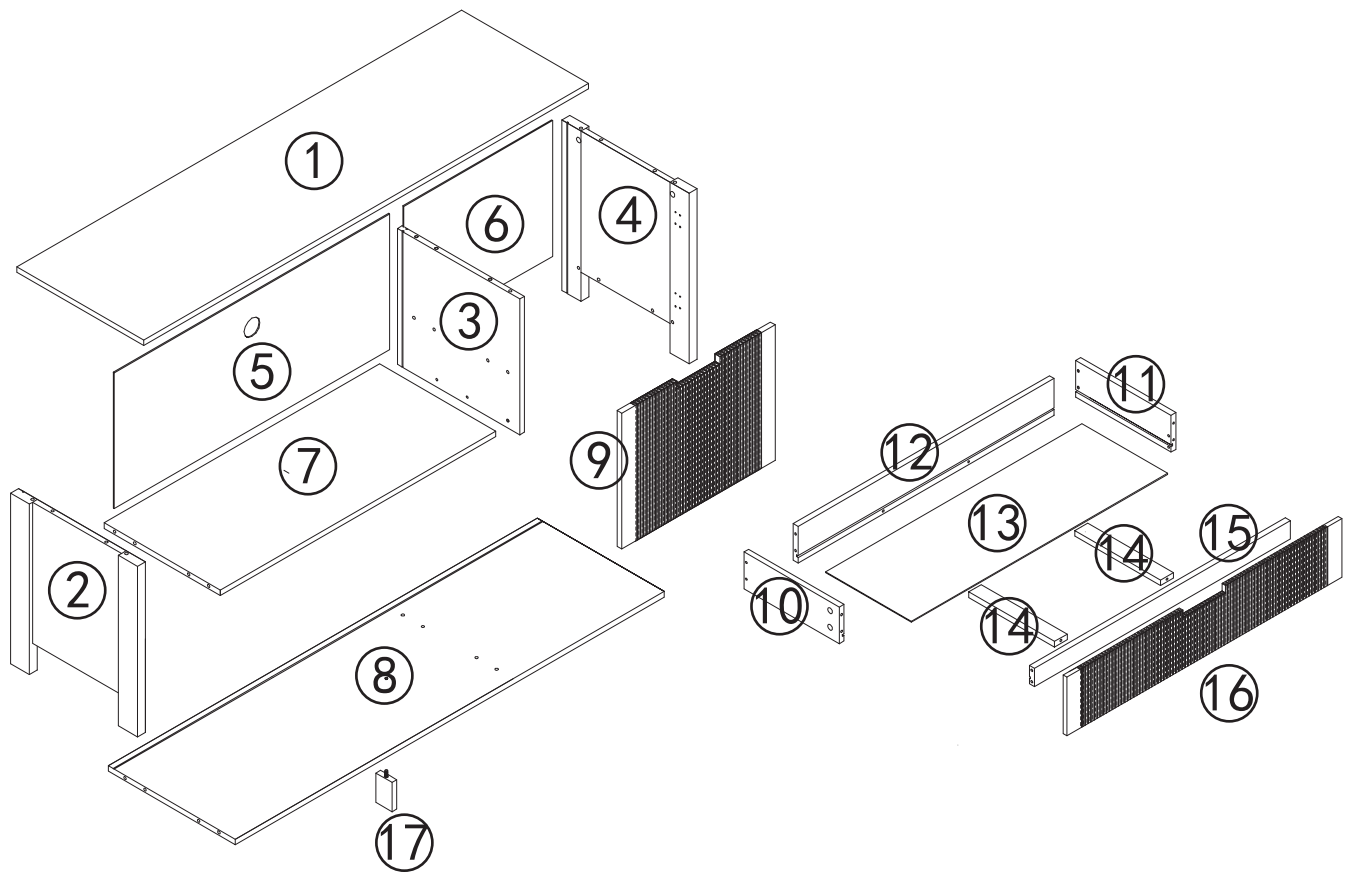
## Parts



## Hardware & Accessory

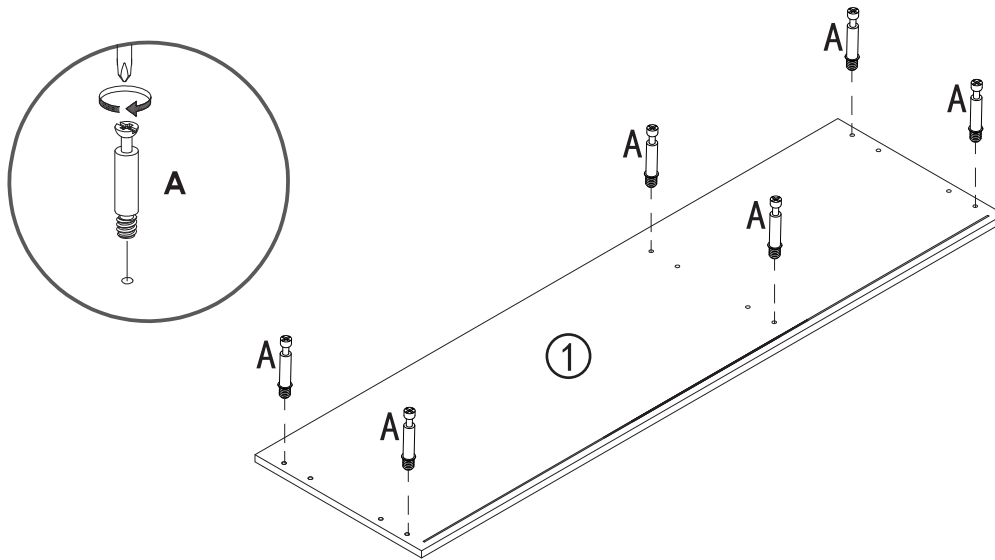
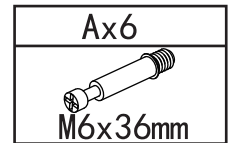


# Assembly



# Step 1

Insert quickfit screws (A) into part 1, as shown.

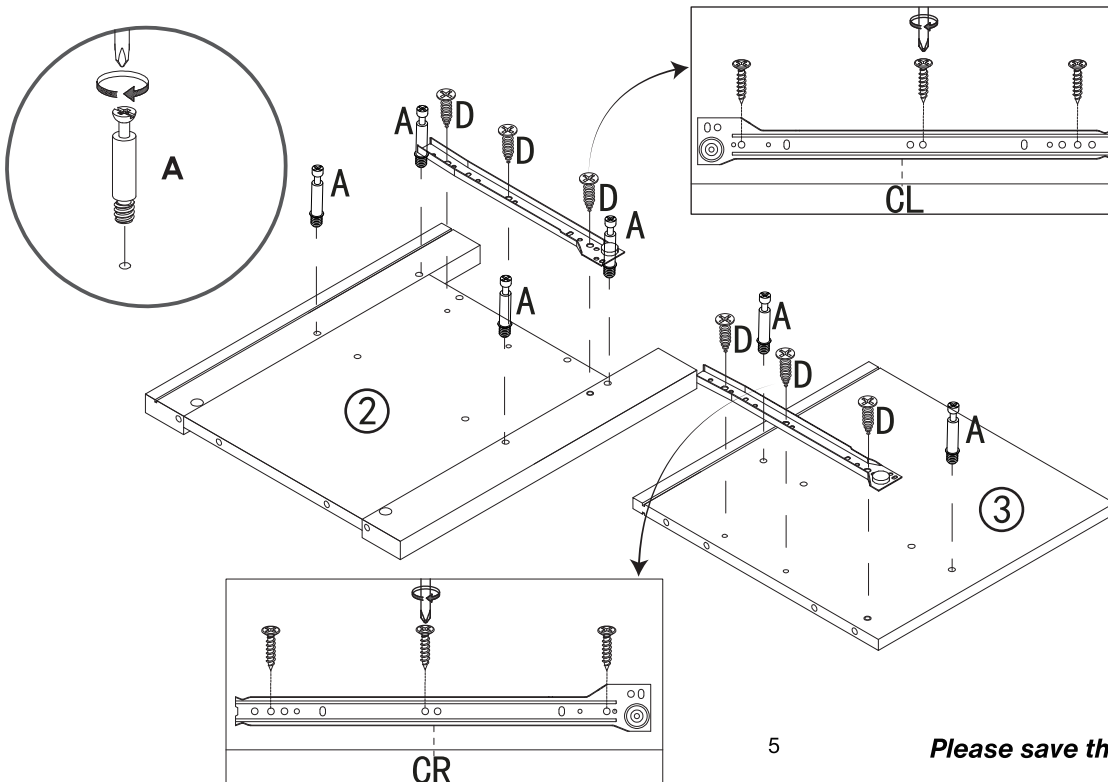
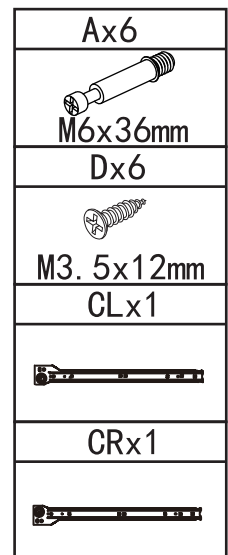


# Step 2

Insert quickfit screws (A) into parts 2 and 3, as shown.

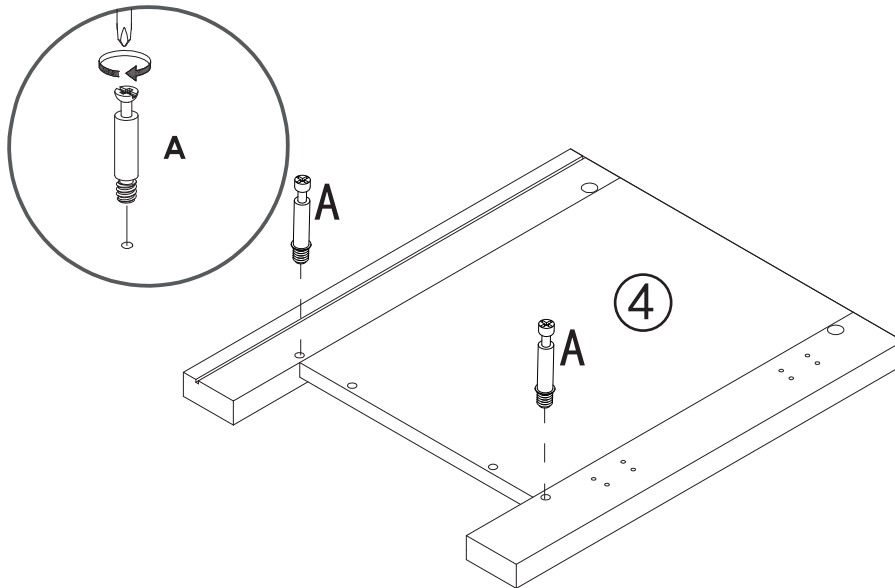
Fix left outer drawer runners (CL) to part 2 using screws (D), as shown.

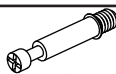
Fix right outer drawer runners (CR) to part 3 using screws (D), as shown.



# Step 3

Insert quickfit screws (A) into part 4, as shown.



Ax2

M6x36mm

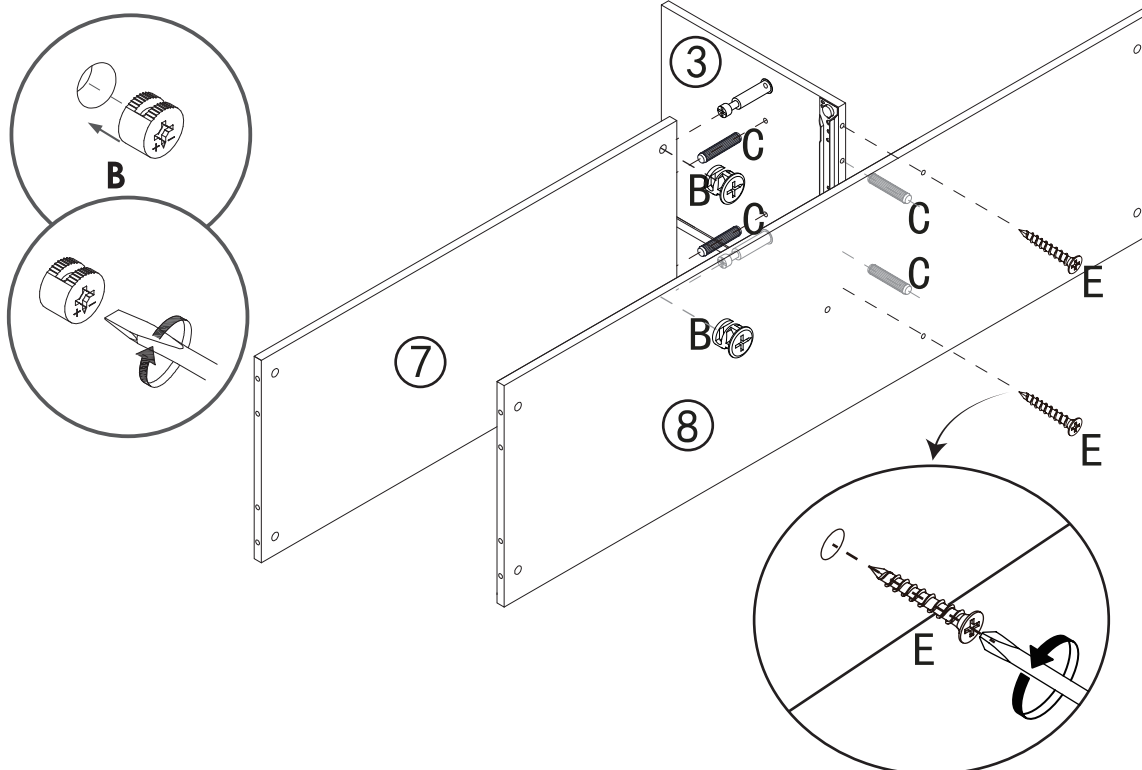
# Step 4




Insert wooden dowels (C) into parts 3 and 8, as shown.

Insert cam locks (B) into part 7, as shown.

Fit part 7 to part 3, as shown. Turn cam locks clockwise to tighten.

Fix part 8 to part 3 using screws (E), as shown.



Cx4

M5.8x30mm
Bx2

M15x10mm
Ex2

M4x35mm

# Step 5



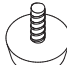
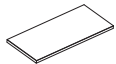
Insert cam locks (B) and wooden dowels (C) into parts 7 and 8, as shown.

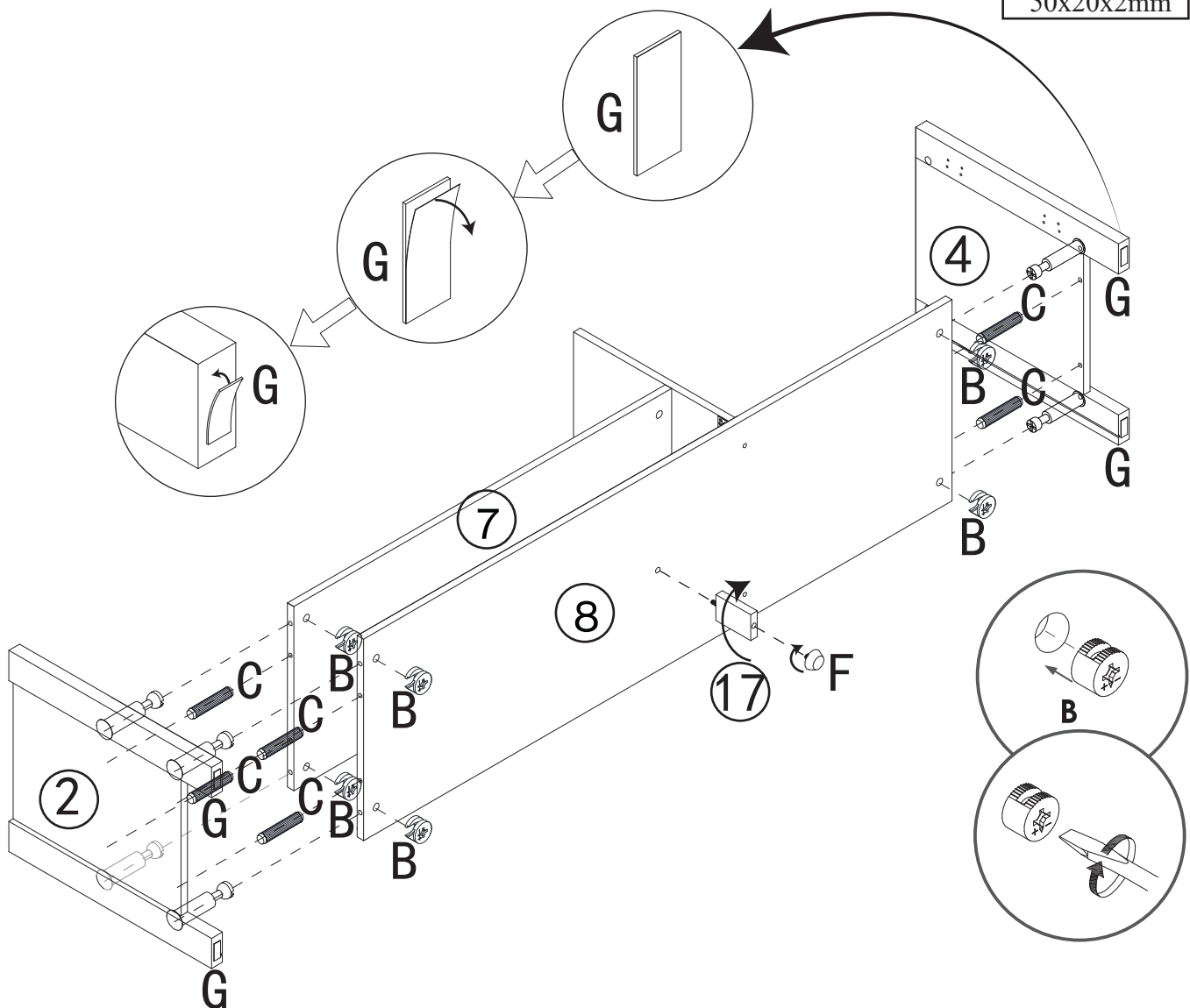
Fit parts 2 and 4 to parts 7 and 8, as shown.

Turn cam locks clockwise to tighten.

Turn adjustable foot 17 with nails (F) clockwise to part 8, as shown.

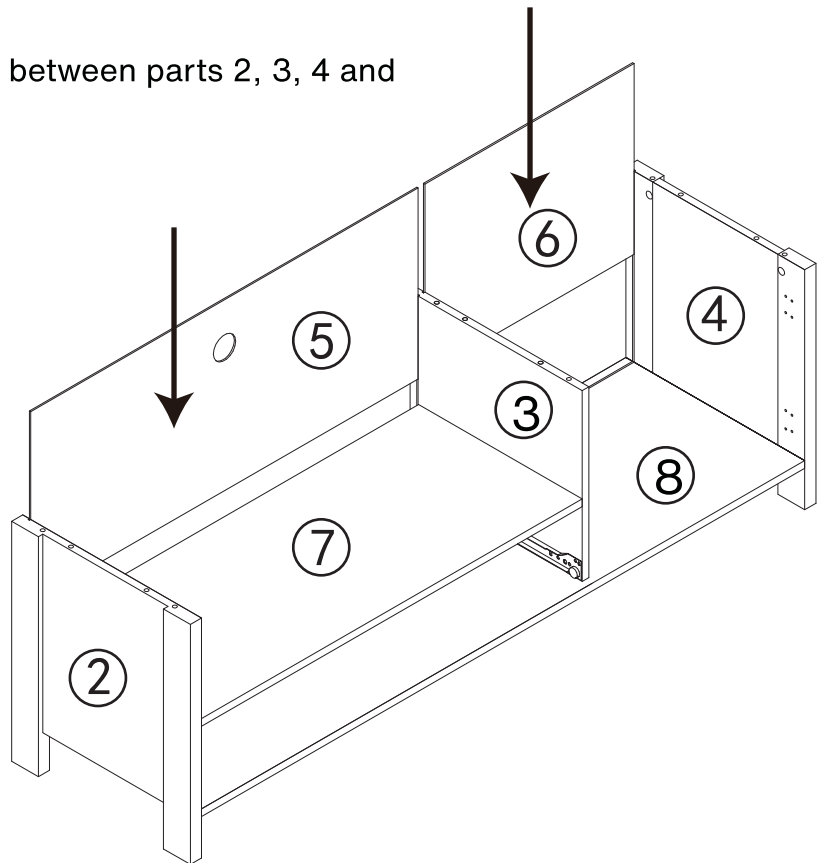
Stick foot pads (G) to parts 2 and 4, as shown.

Cx6
 M5. 8x30mm
Bx6
 M15x10mm
Fx1

Gx4
 50x20x2mm



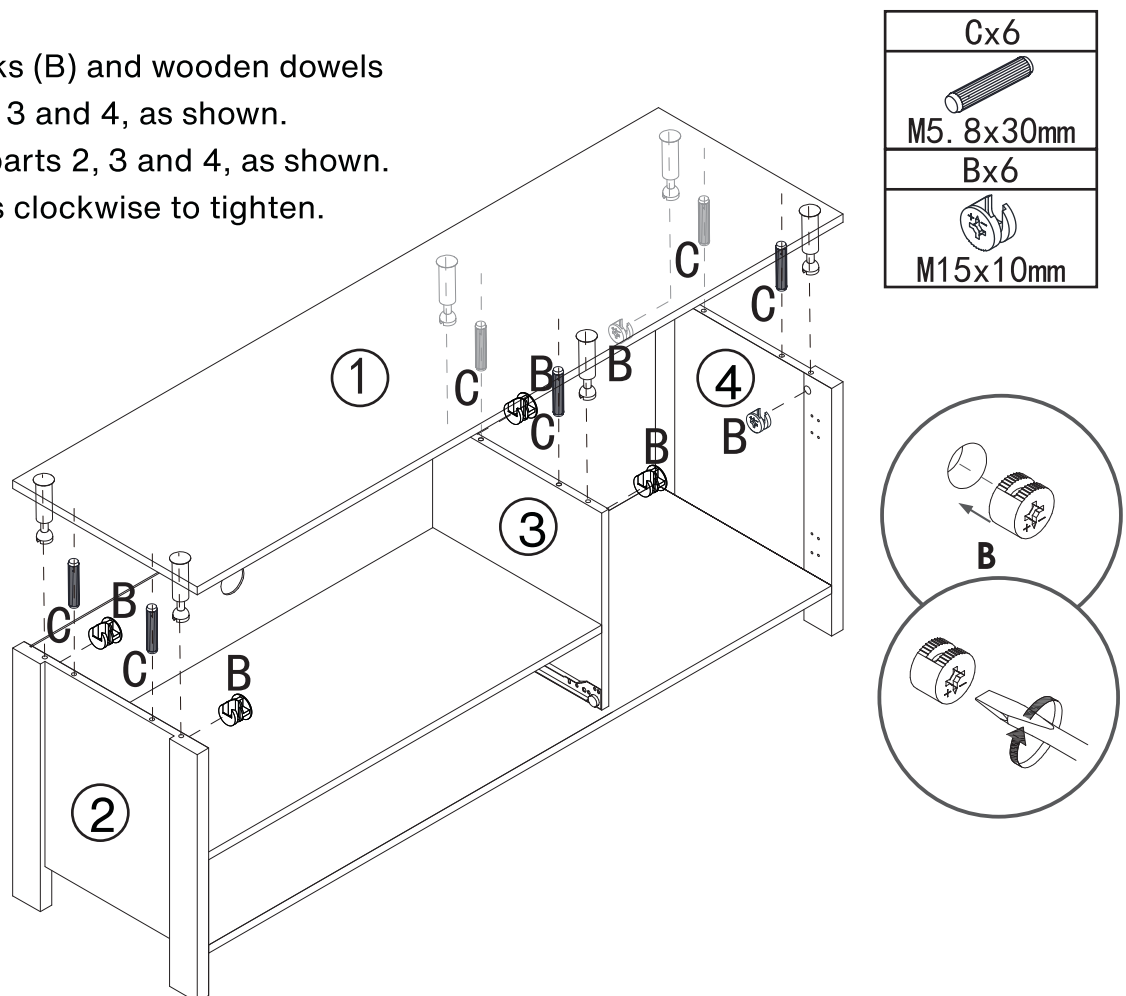
# Step 6

Slide parts 5 and 6 into grooves between parts 2, 3, 4 and 8, as shown.



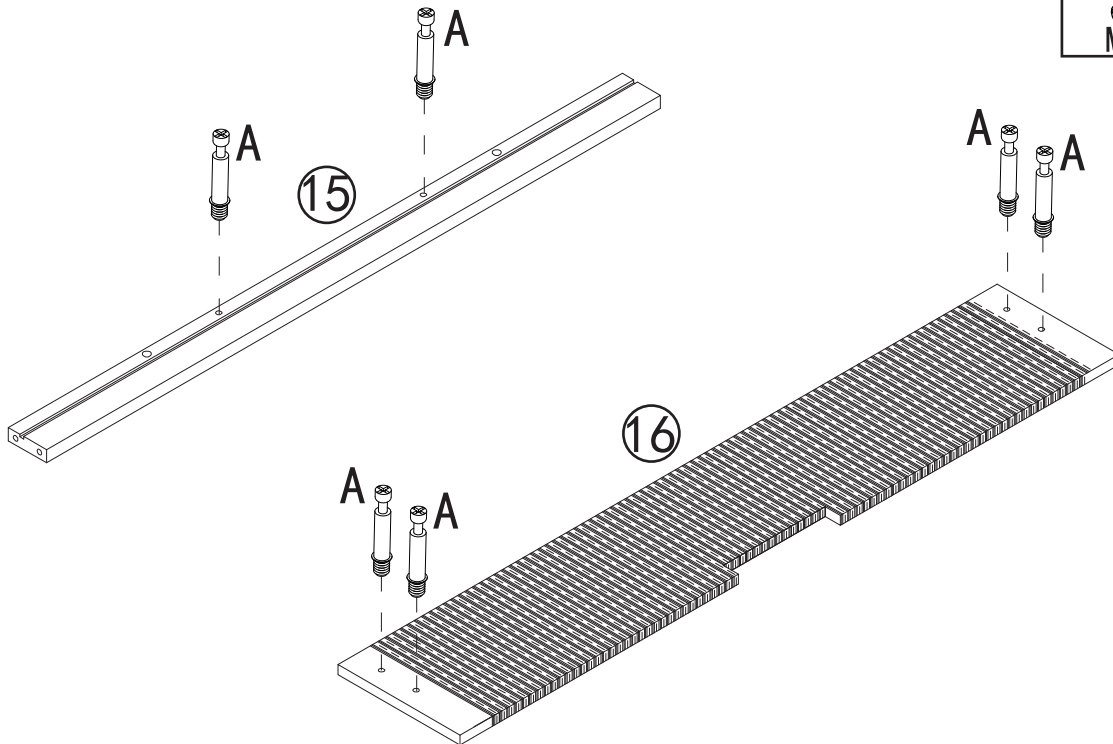
# Step 7

Insert cam locks (B) and wooden dowels (C) into part 2, 3 and 4, as shown.  
Fit part 1 into parts 2, 3 and 4, as shown.  
Turn cam locks clockwise to tighten.



# Step 8

Insert quickfit screws (A) into parts 15 and 16, as shown.

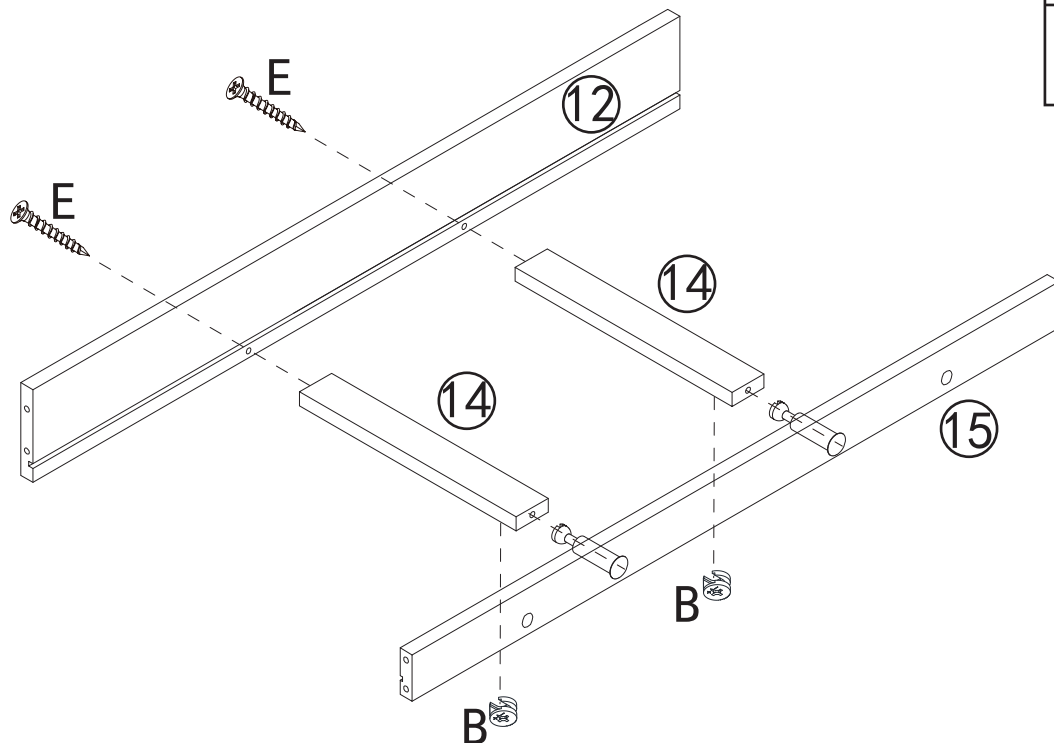


# Step 9

Insert cam locks (B) into parts 14, as shown.

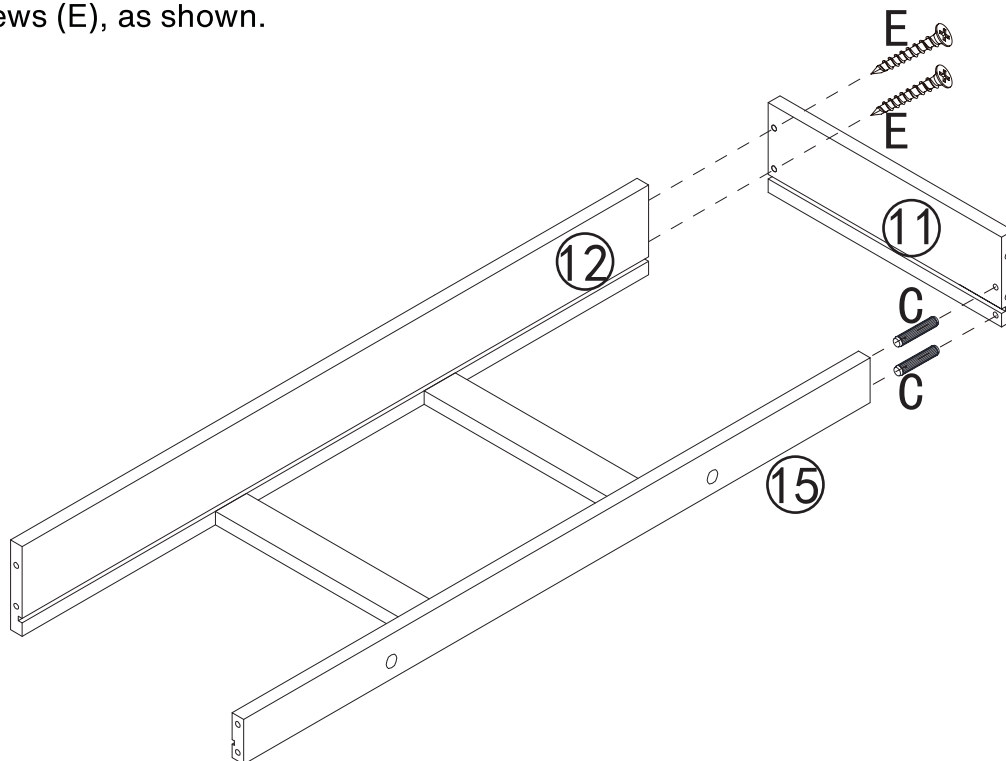
Fit parts 15 to parts 14, as shown. Turn cam locks clockwise to tighten.



Fix part 12 to parts 14 using screws (E), as shown.



# Step 10

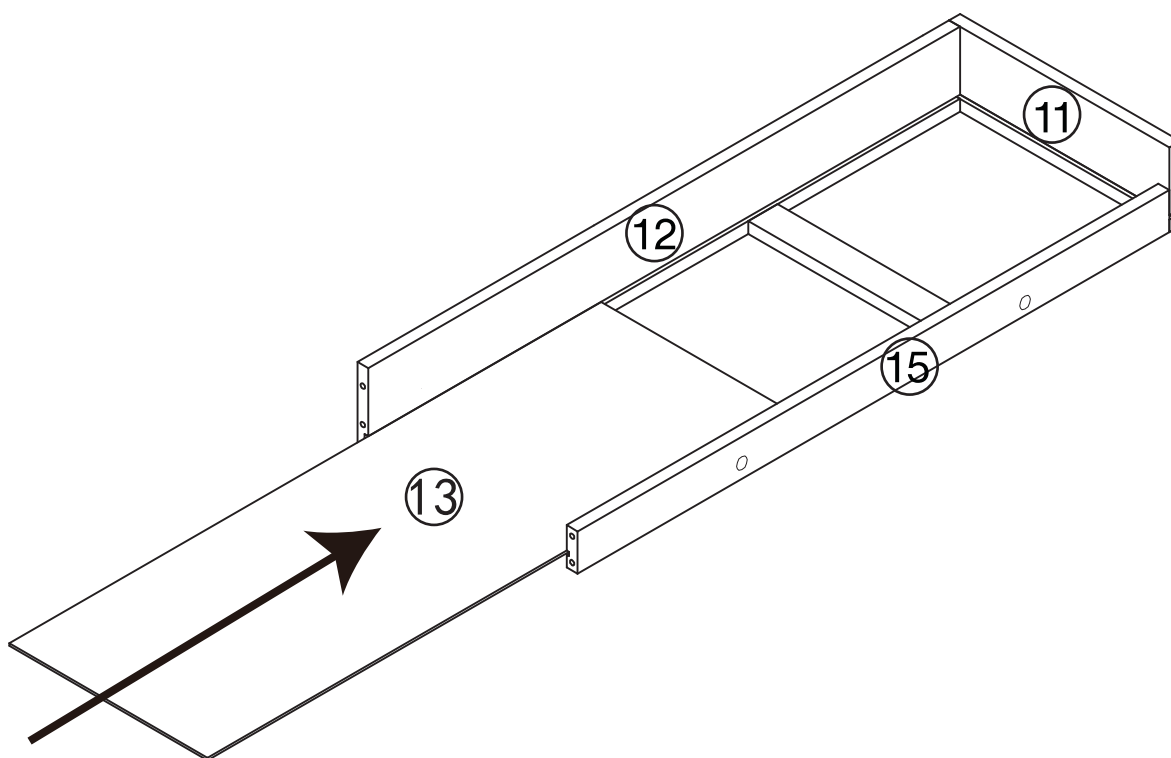
Fix part 11 to parts 12 and 15 using wooden dowels (C) and screws (E), as shown.



Cx2
 M5. 8x30mm
Ex2
 M4x35mm



# Step 11

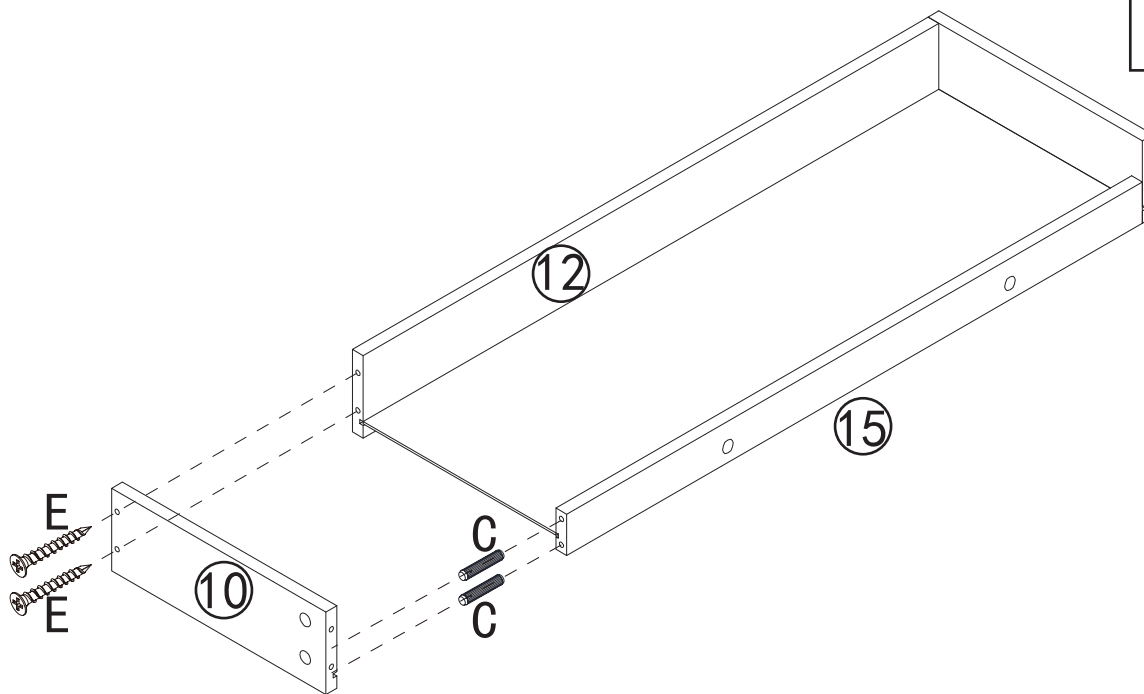
Slide part 13 into grooves between parts 12, 14 and 15, as shown.



# Step 12

Fix part 10 to parts 12 and 15 using wooden dowels (C) and screws (E), as shown.

Cx2

M5. 8x30mm
Ex2

M4x35mm




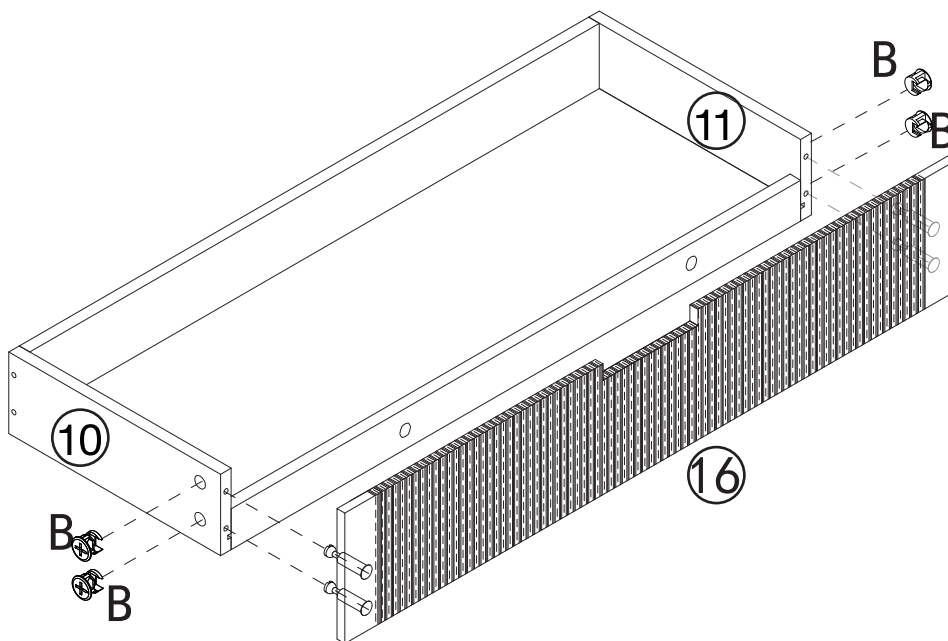
# Step 13

Insert cam locks (B) into parts 10 and 11, as shown.

Fit part 16 to parts 10 and 11, as shown.

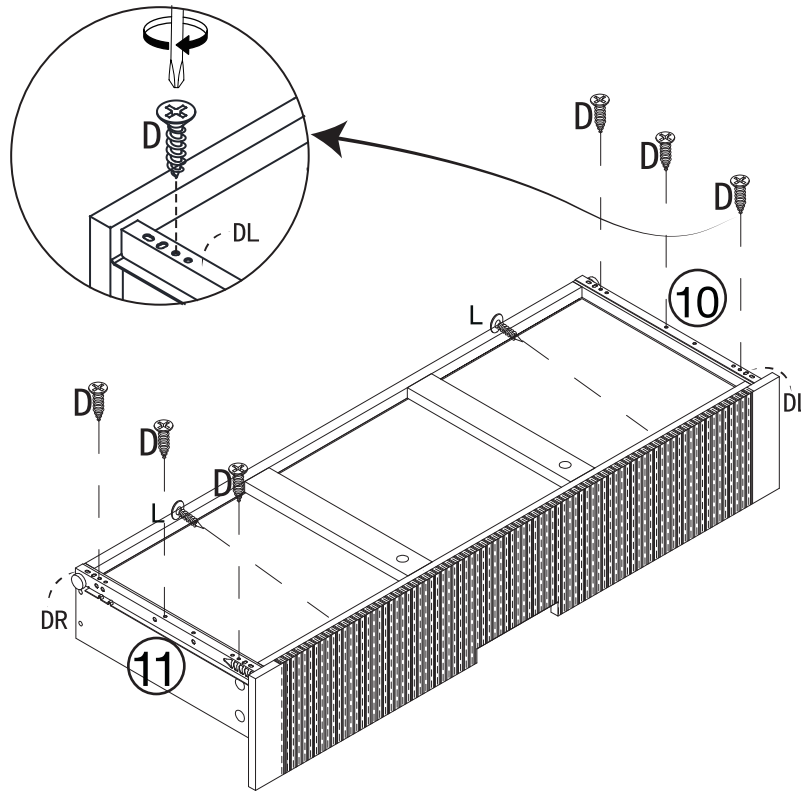
Turn cam locks clockwise to tighten.





Bx4

M15x10mm



# Step 14

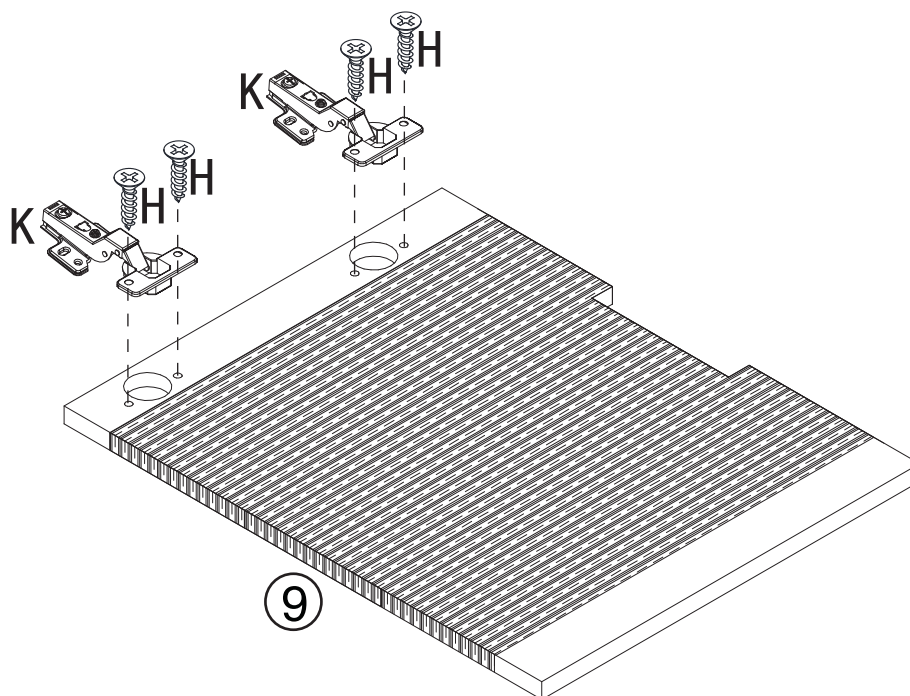
Fix left inner drawer runners (DL) and right inner drawer runners (DR) to parts 10 and 11 using screws (D), as shown.





Dx6

M3.5x12mm
DRx1

DLx1

Lx2

M4 x 30mm

# Step 15

Fix hinges (K) to door 9 using screws (H), as shown.



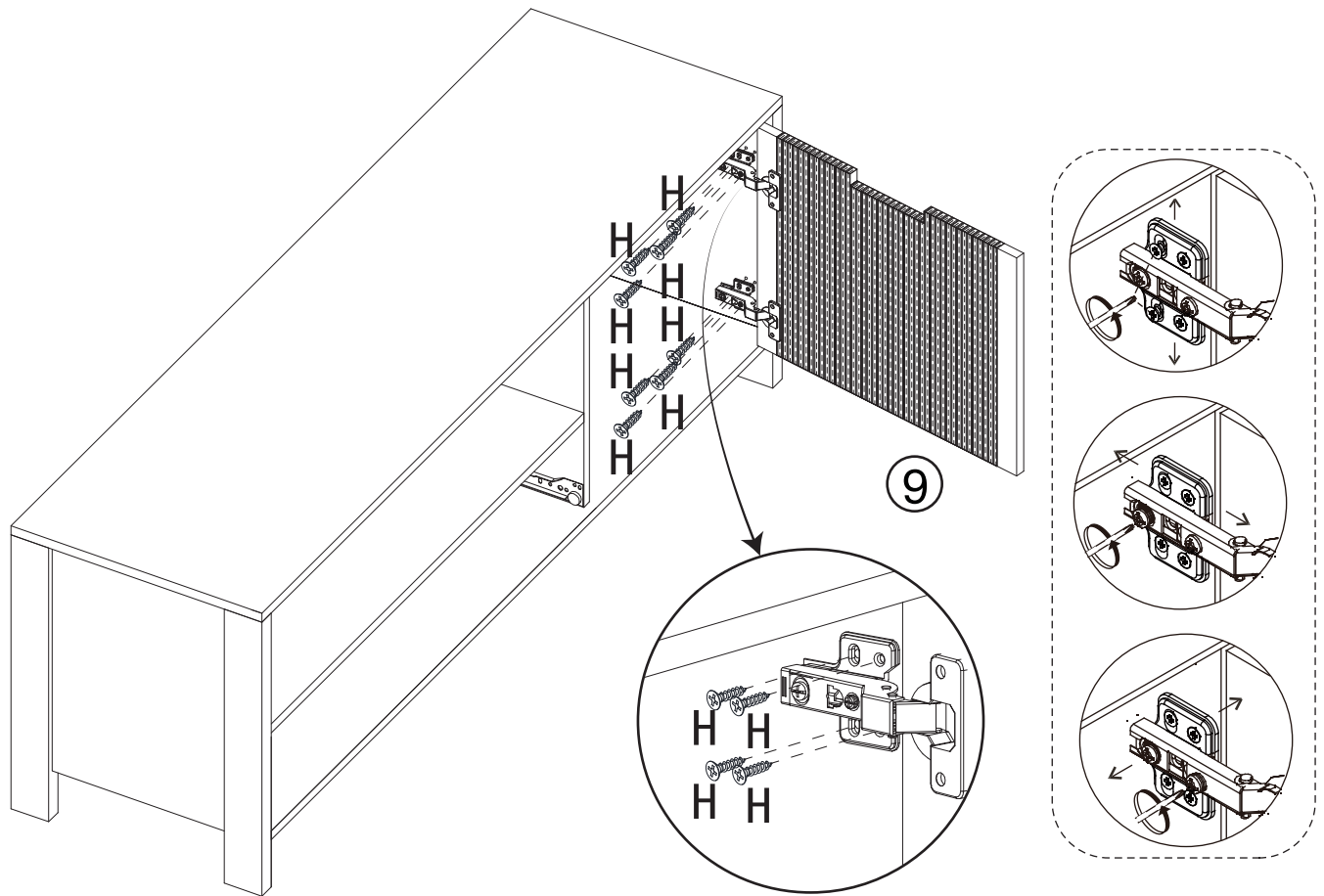
Hx4

M4x14mm
Kx2


# Step 16

Fix door 9 to assembled unit using hinges with screws (H), as shown.

Hx8

M4x14mm



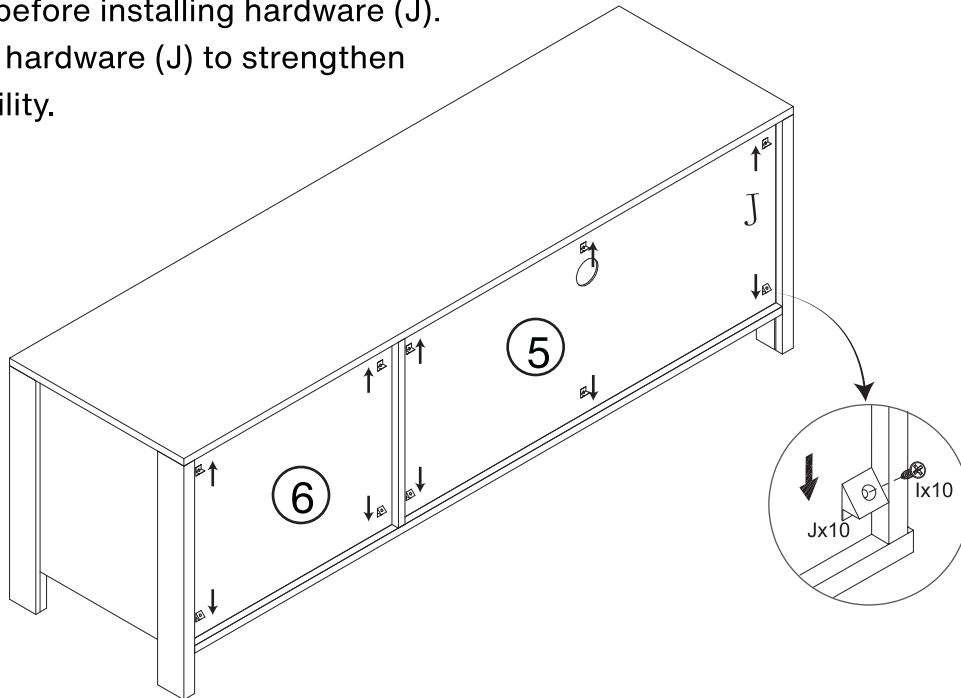
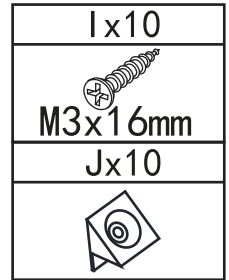
# Step 17

Secure backing panels 5 and 6 by fixing wedges (J) using screws (I), as shown.

## ATTENTION PLEASE

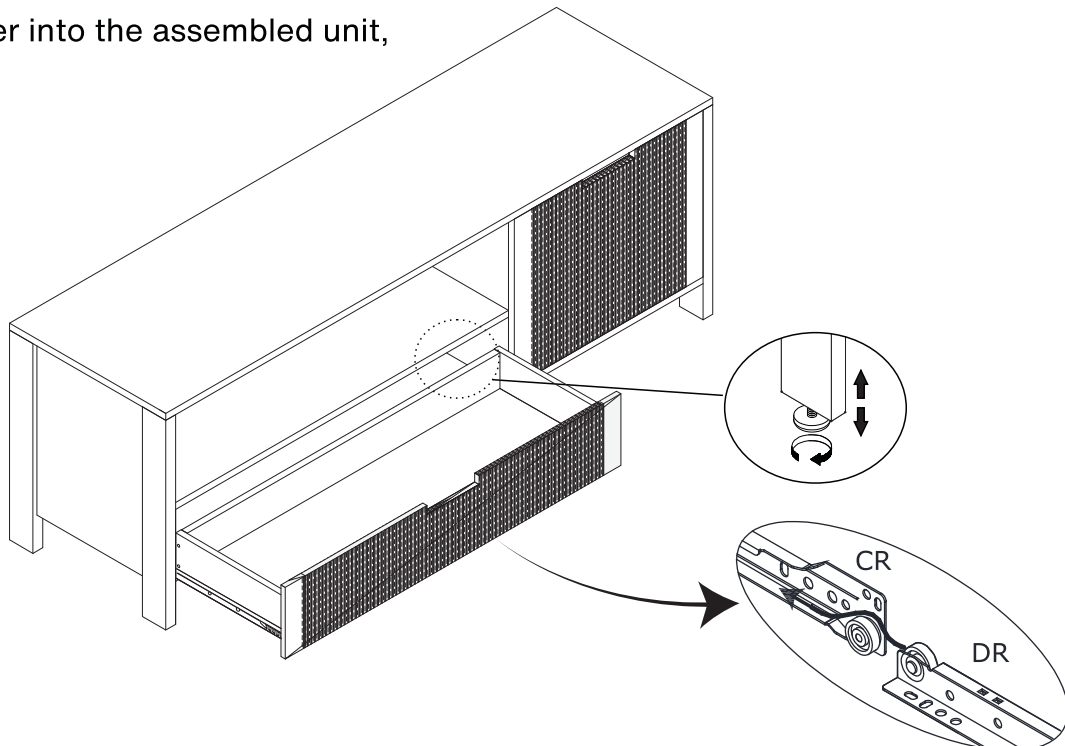
Please ensure the structure is straight and level and all panels are at right angles before installing hardware (J).

**MUST** install hardware (J) to strengthen product stability.

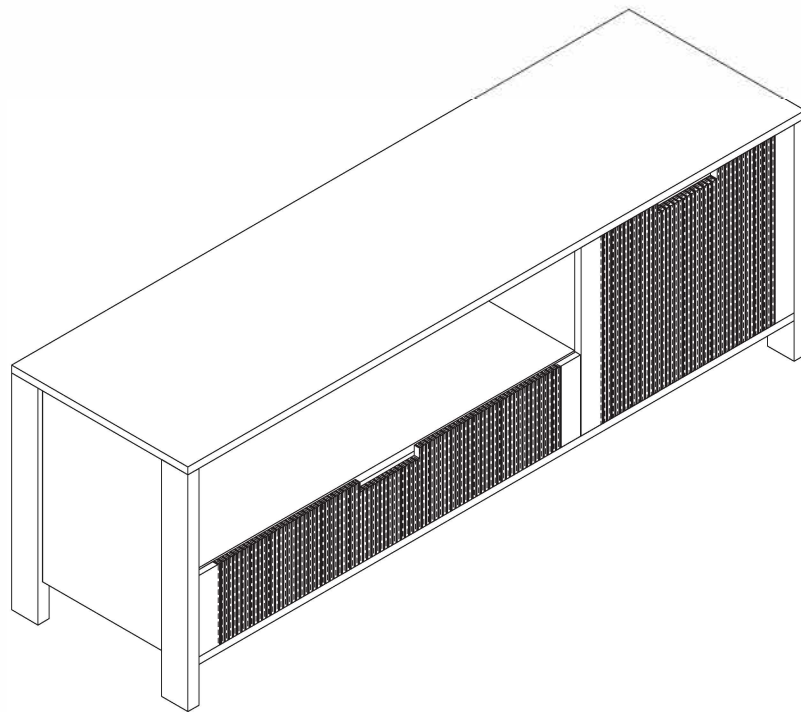


# Step 18

Insert drawer into the assembled unit, as shown.



**VOILA!**  
Now enjoy.



## **Warning**

DO NOT sit or stand on the TV Console as this may damage the product and cause serious bodily injury.

# Something not right?

We are always here to help.

## **We make mistakes like every human does.**

Though we always strive to provide the best possible products at competitive prices and the best service in the industry, it's not possible to completely eliminate mistakes. If you experience any dissatisfaction, feel free to contact us immediately. Our in-house customer care team will respond ASAP.

## **Things to do to expedite the process**

- Have your order# ready
- Take photos/videos to help us better identify the issues
- DO NOT throw away the packaging