

Dear Customer,

Thank you for choosing us.

We specialize in researching, developing, selling household and office products. Our goal is to provide you with high-quality products that inspire happiness, ensuring trust and satisfaction.

For safe use, please read this manual before installation, and keep it for after use. Please feel free to email us if you have any concerns about our products. We'll reply within 24 hours.

The following are the things you need to pay attention to so that we can provide you with services when you encounter problems during the installation and use of the product:

- When the product is damaged due to courier problems, please contact our customer service in time for verification.
- We will rectify the issue as soon as possible;
- We give a 365-day quality assurance;

We offer product explanations, installation instructions, product maintenance and maintenance methods.

If you feel satisfied with our product and service,

- Please set our store as your favorites;
- Please recommend our products to your friends;
- Please leave us your purchase experience in our store or product page.

Feedback or reviews from you will greatly help us offer better services to players around the world.

Best regards!

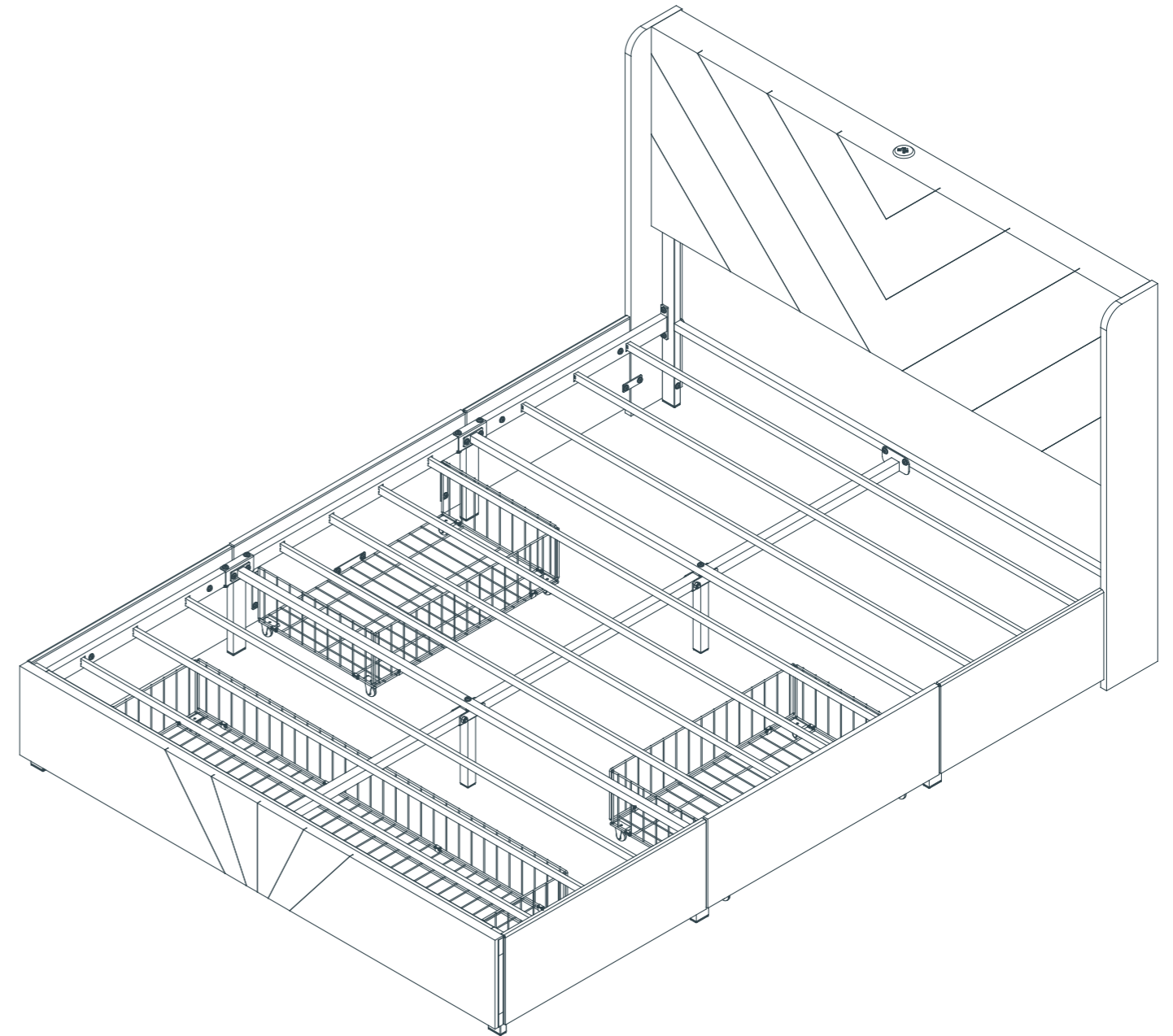
Avoid using sharp objects such as a knife to cut open packaging as you may accidentally damage the product.



If you have any questions about the product, please contact us through the contact information on the left. We will try our best to solve your problem within 24H (except weekends and holidays).

Bed Frame

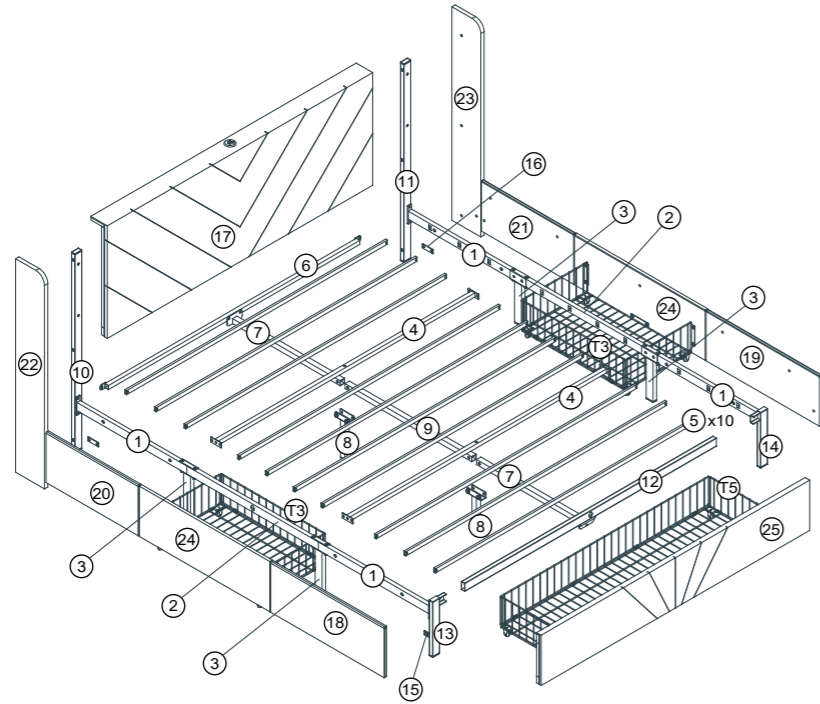
ORIGINAL INSTRUCTION MANUAL



Important Note

- HARDWARE NOTE :**
1. Two or more people are required for assembly
 2. Do not screw on the bolts too tight unless the installation is done. Make sure all bolts are tightly screwed before you use it.

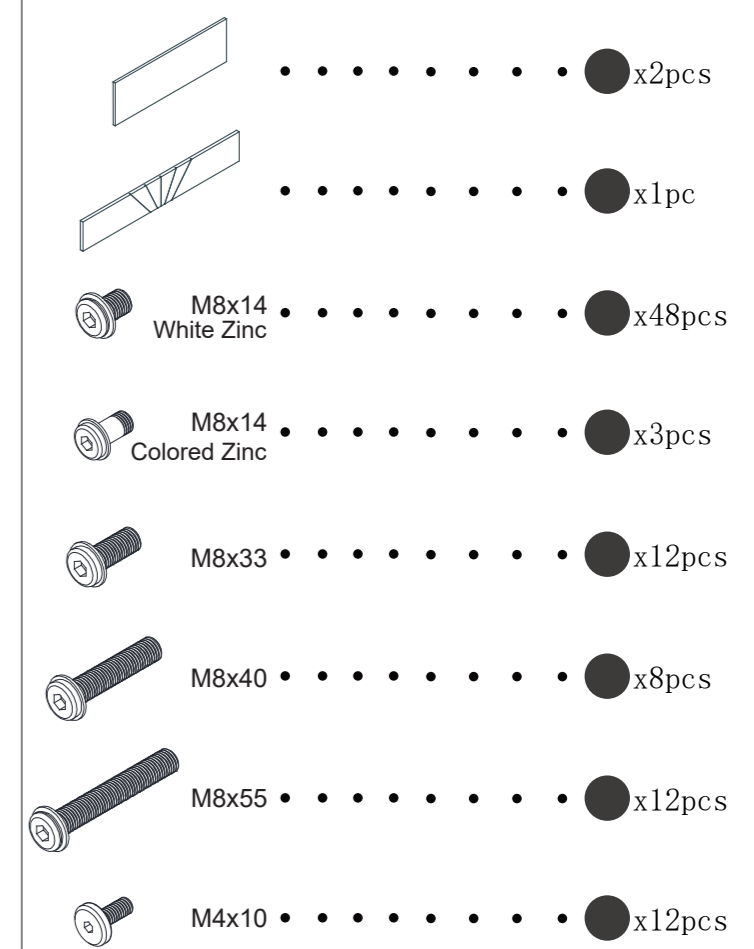
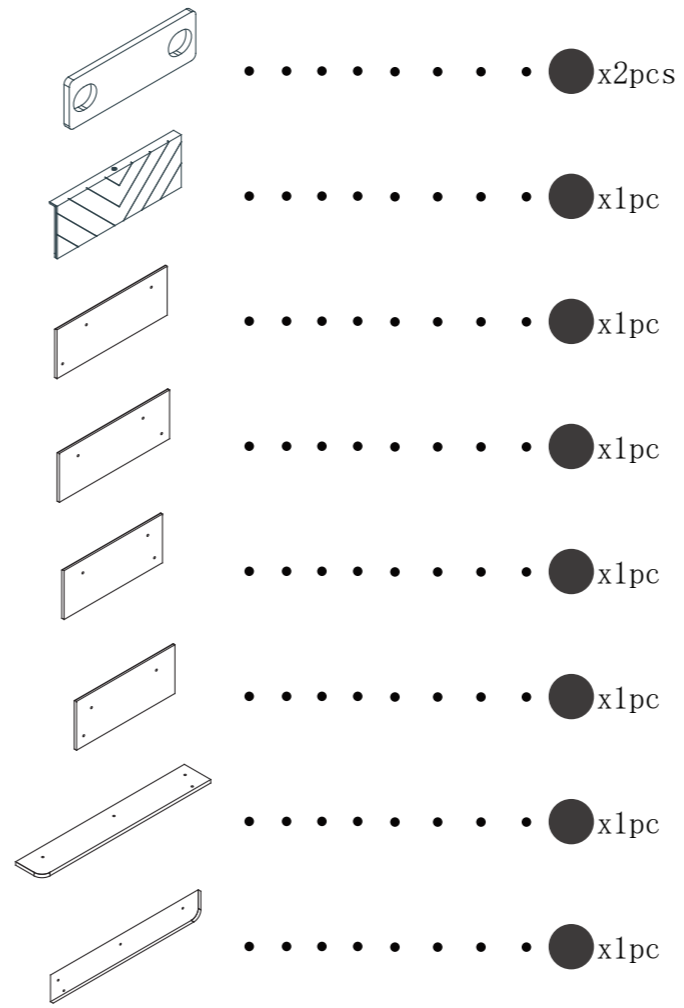
Assembly Instruction



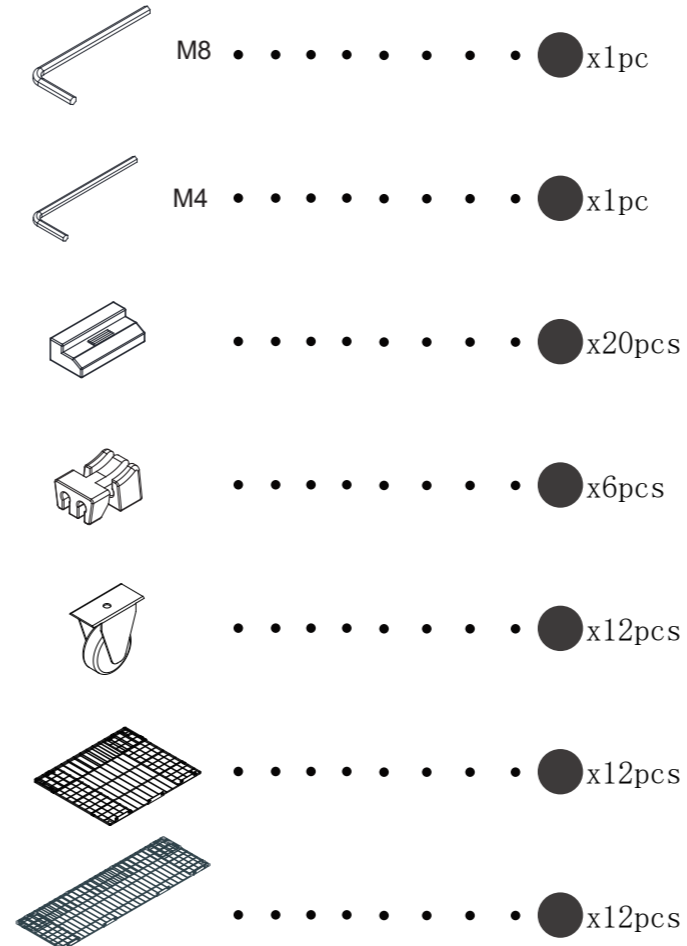
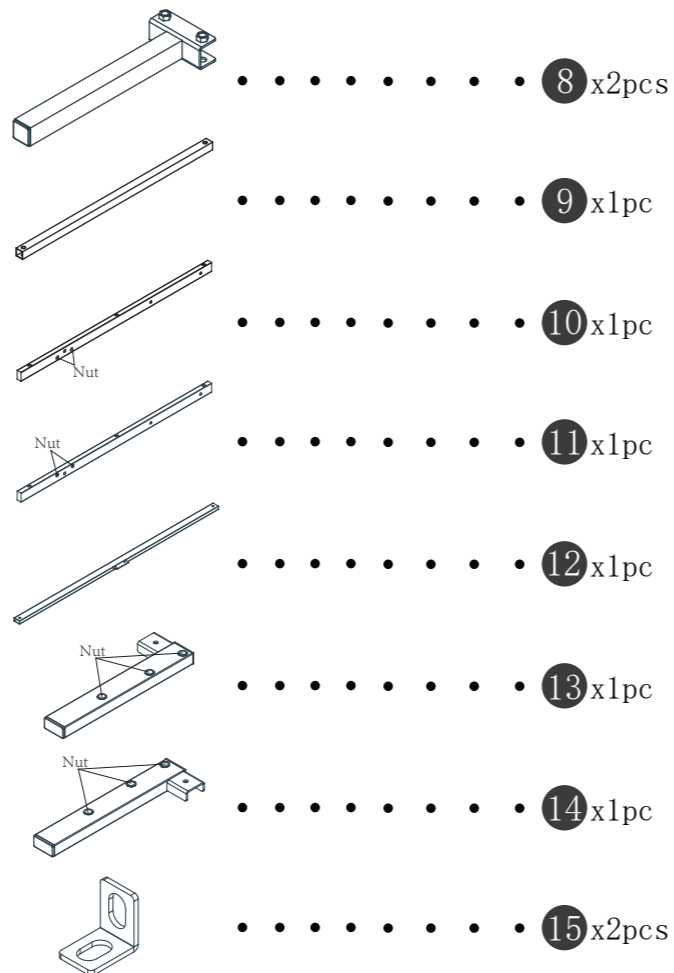
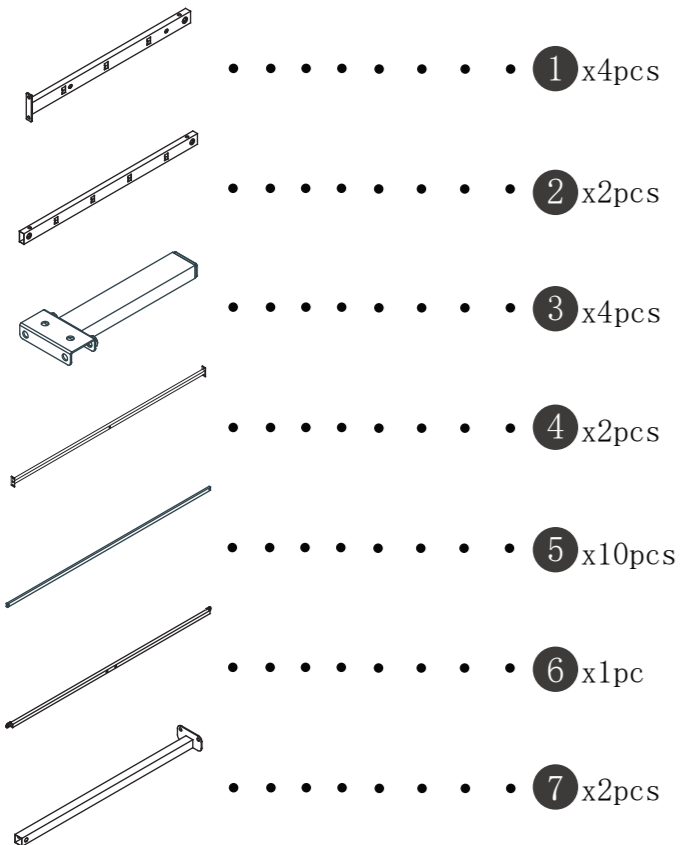
Important Note

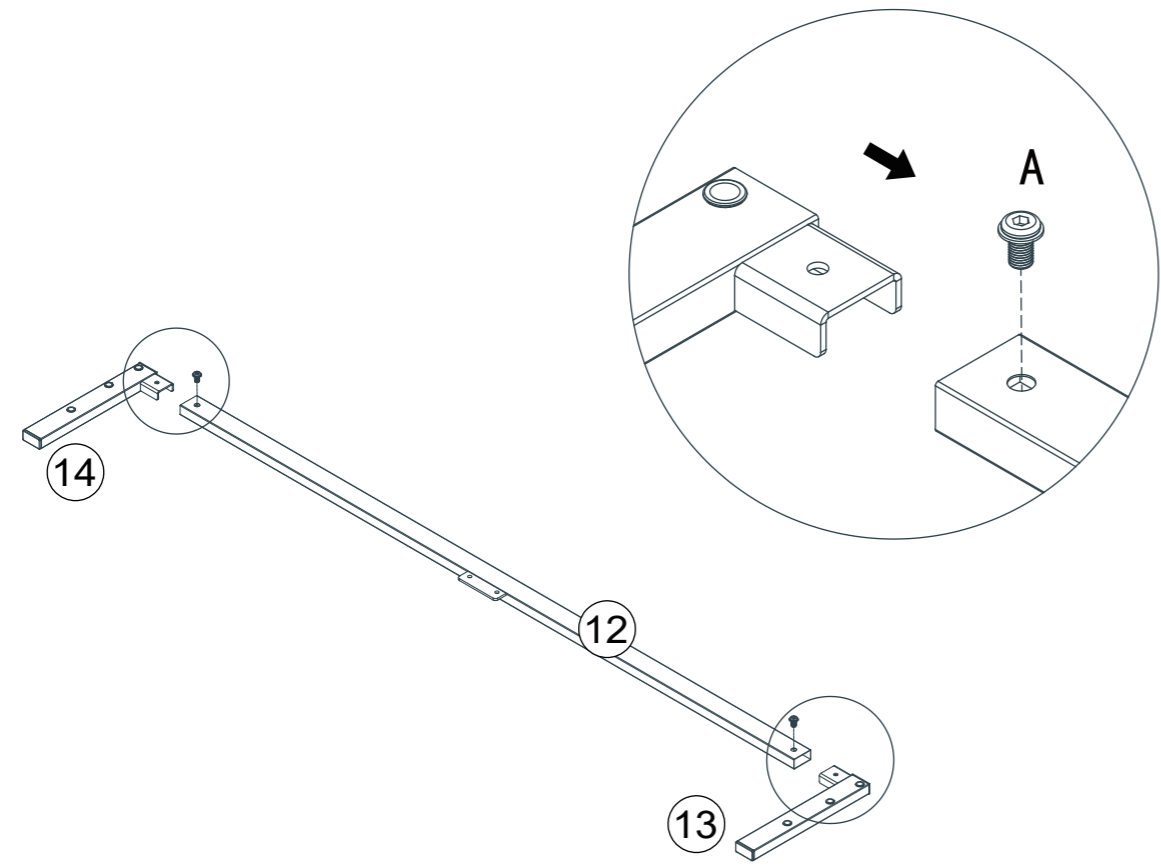
HARDWARE NOTE :

1. Two or more people are required for assembly
2. Do not screw on the bolts too tight unless the installation is done. Make sure all bolts are tightly screwed before you use it.

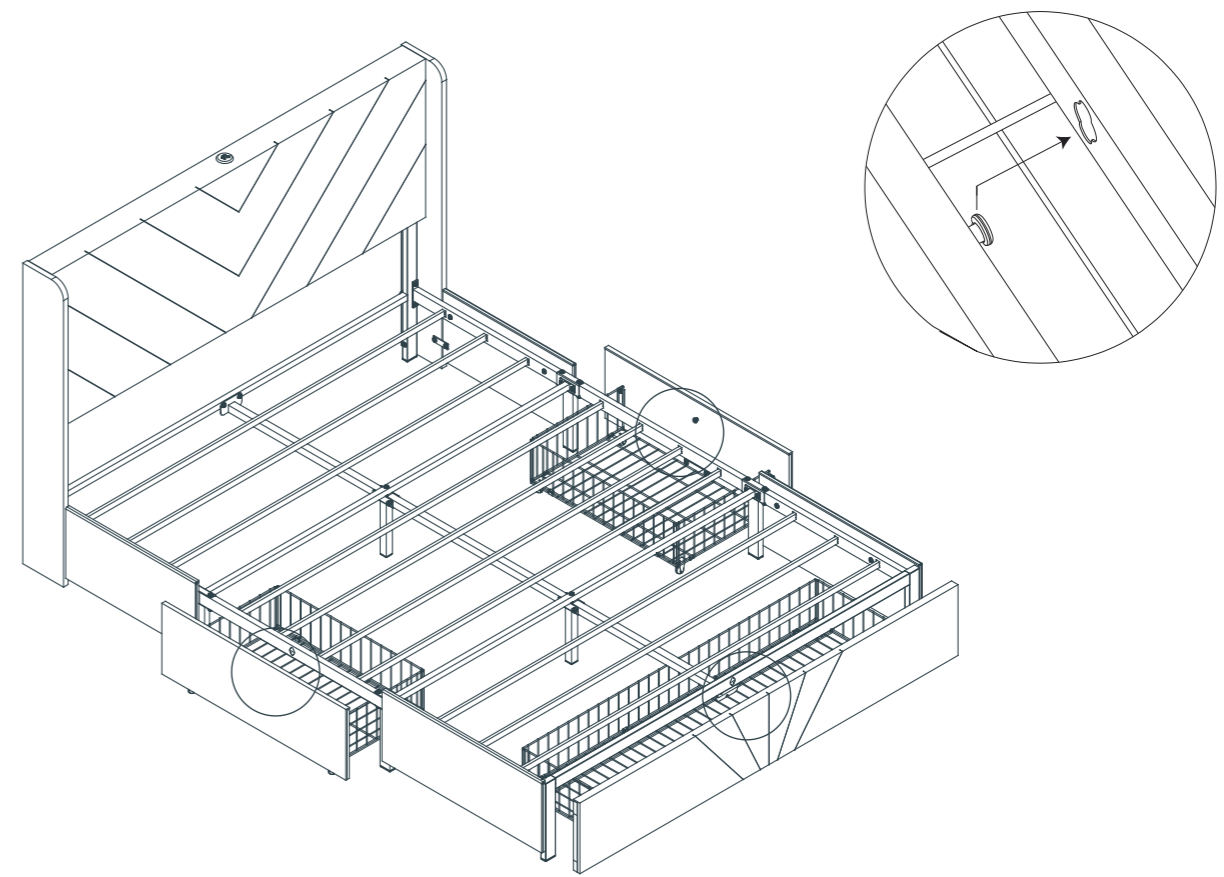


Components

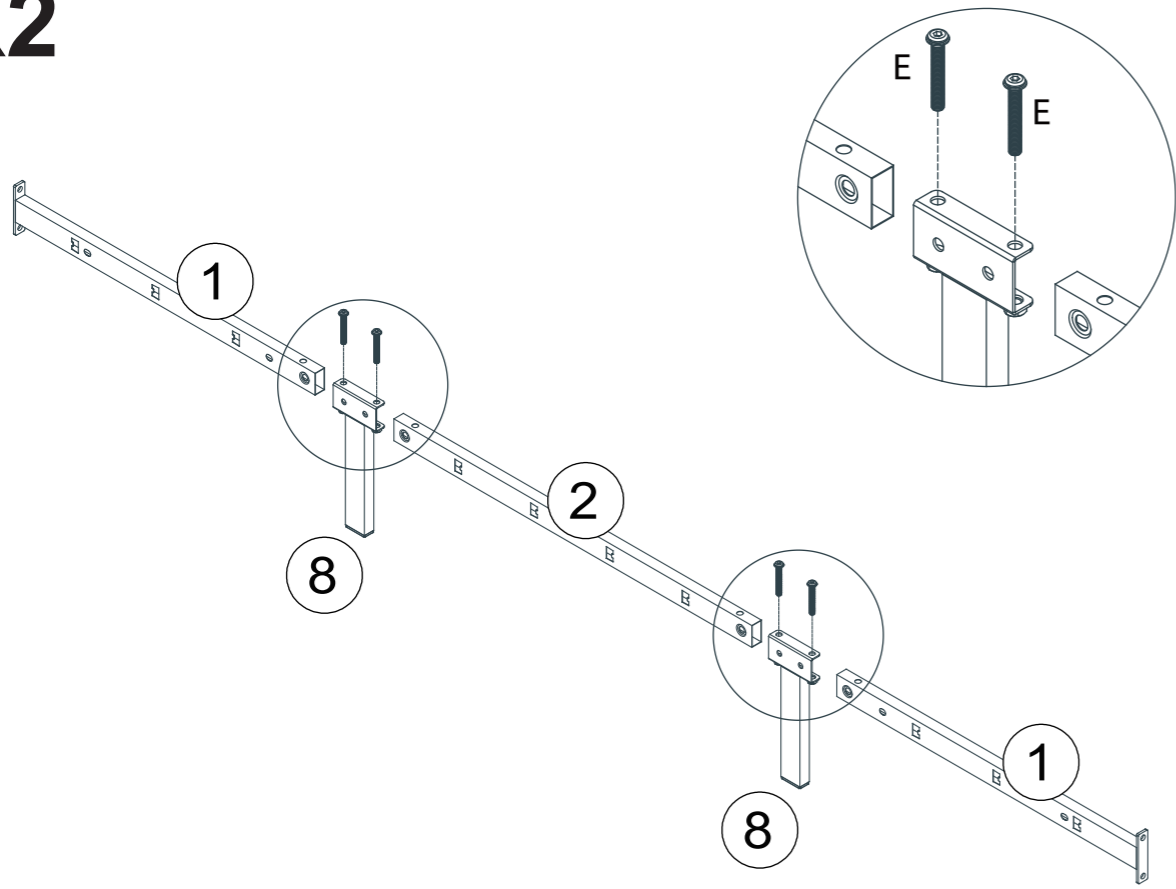




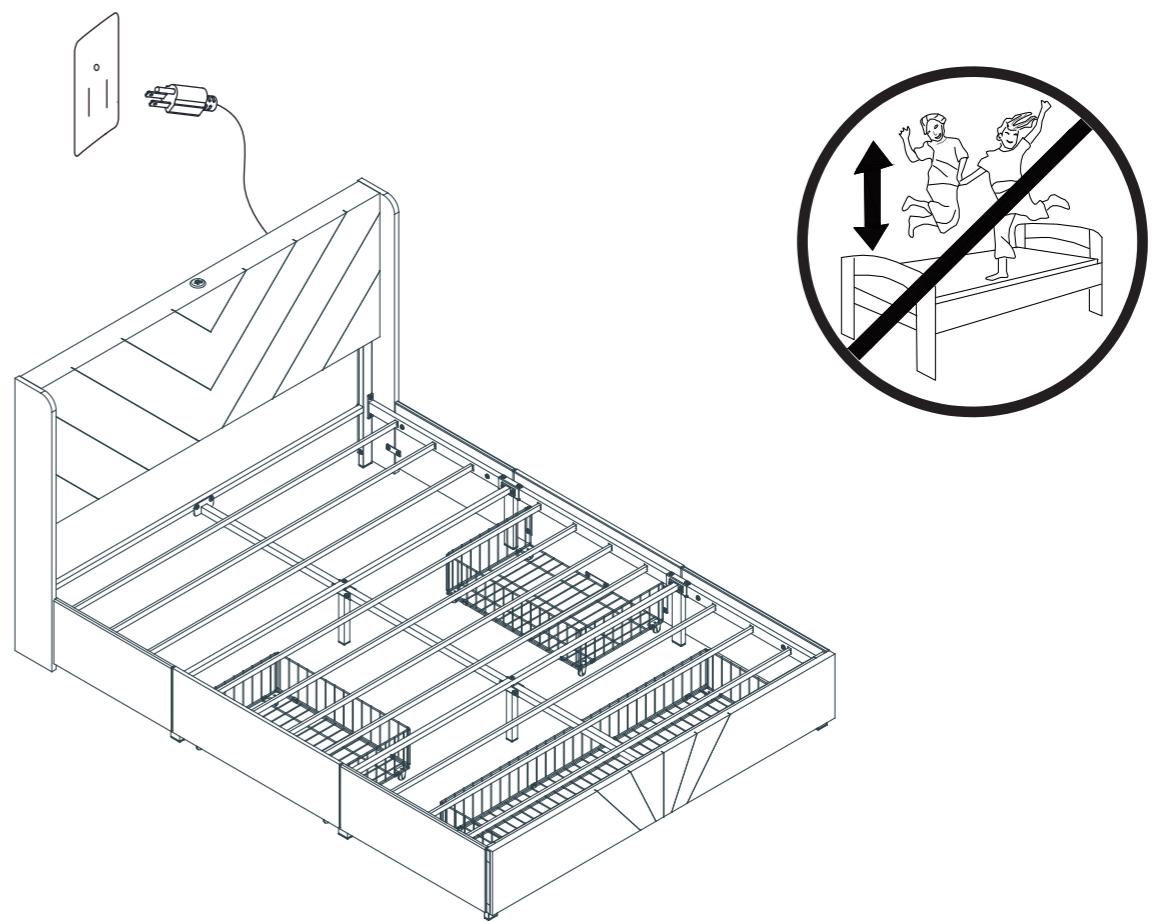
A  2pcs



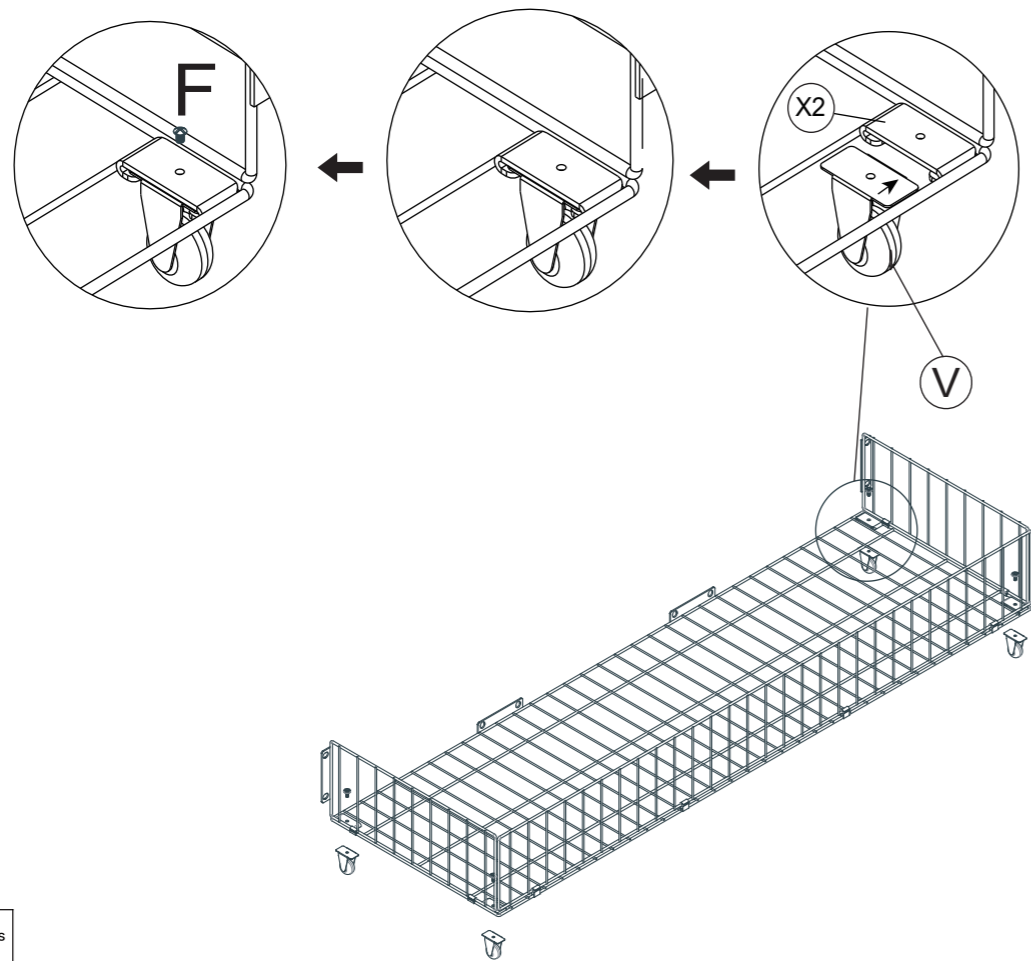
X2




E  8pcs

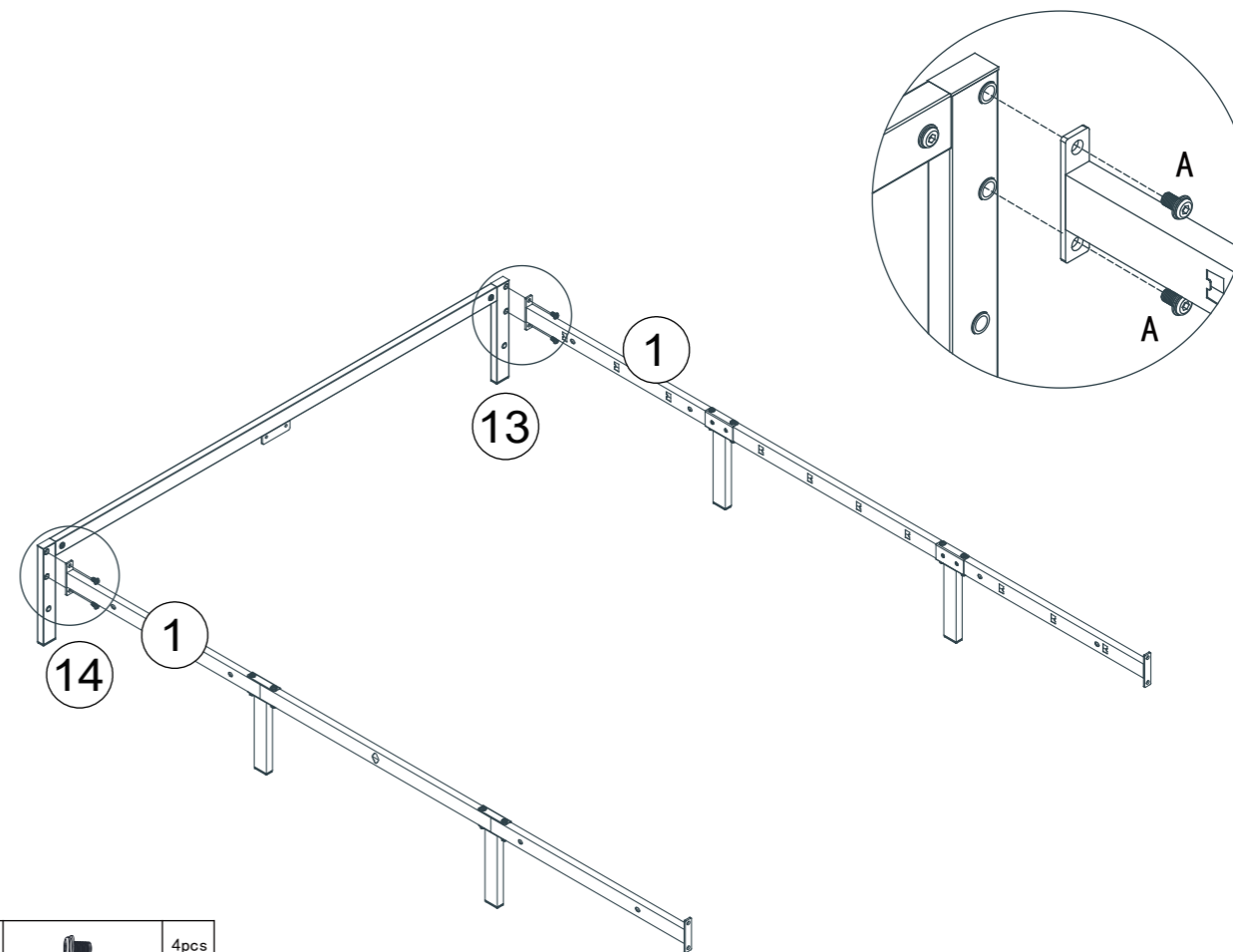


17



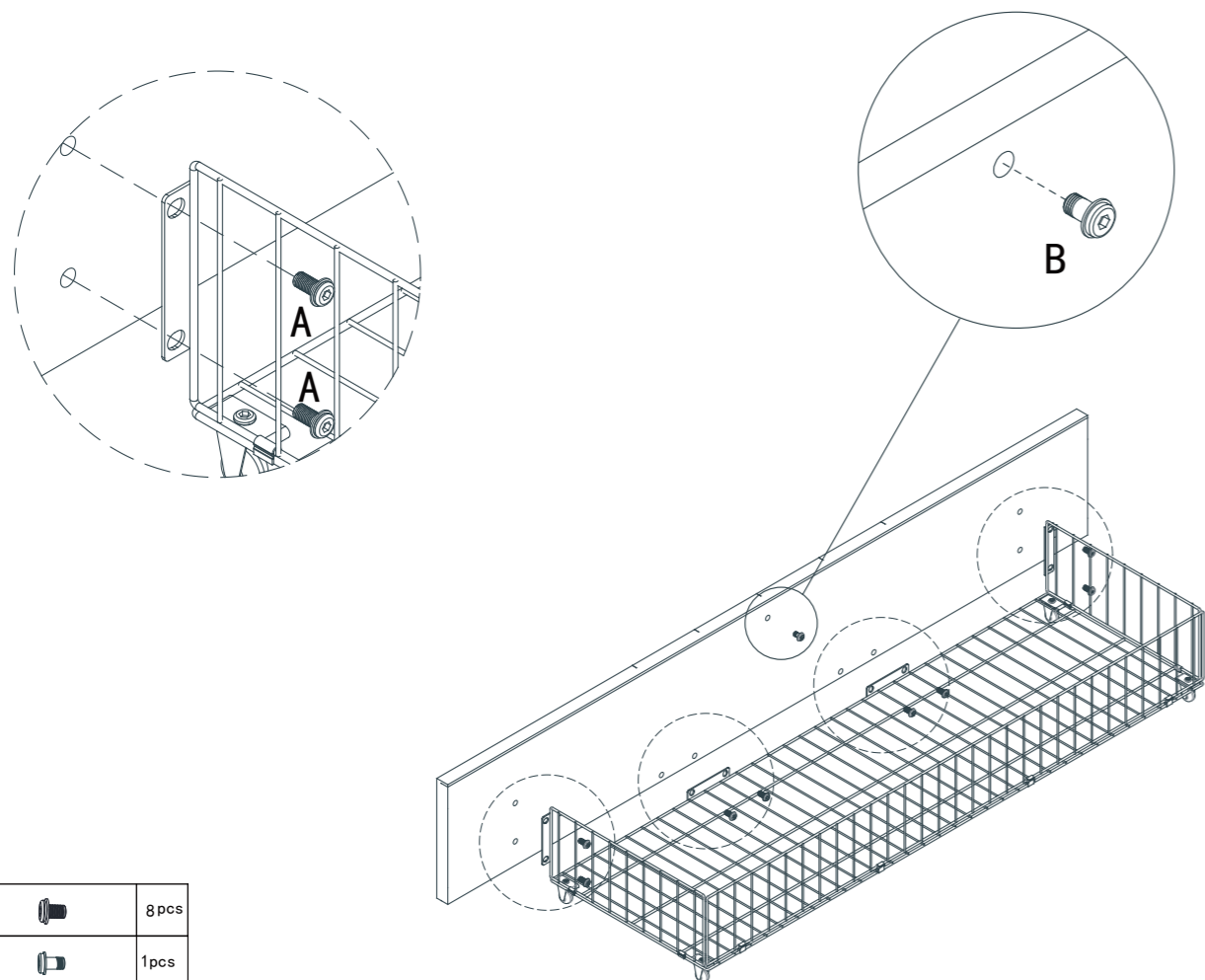
F		4pcs
M4x10		



3



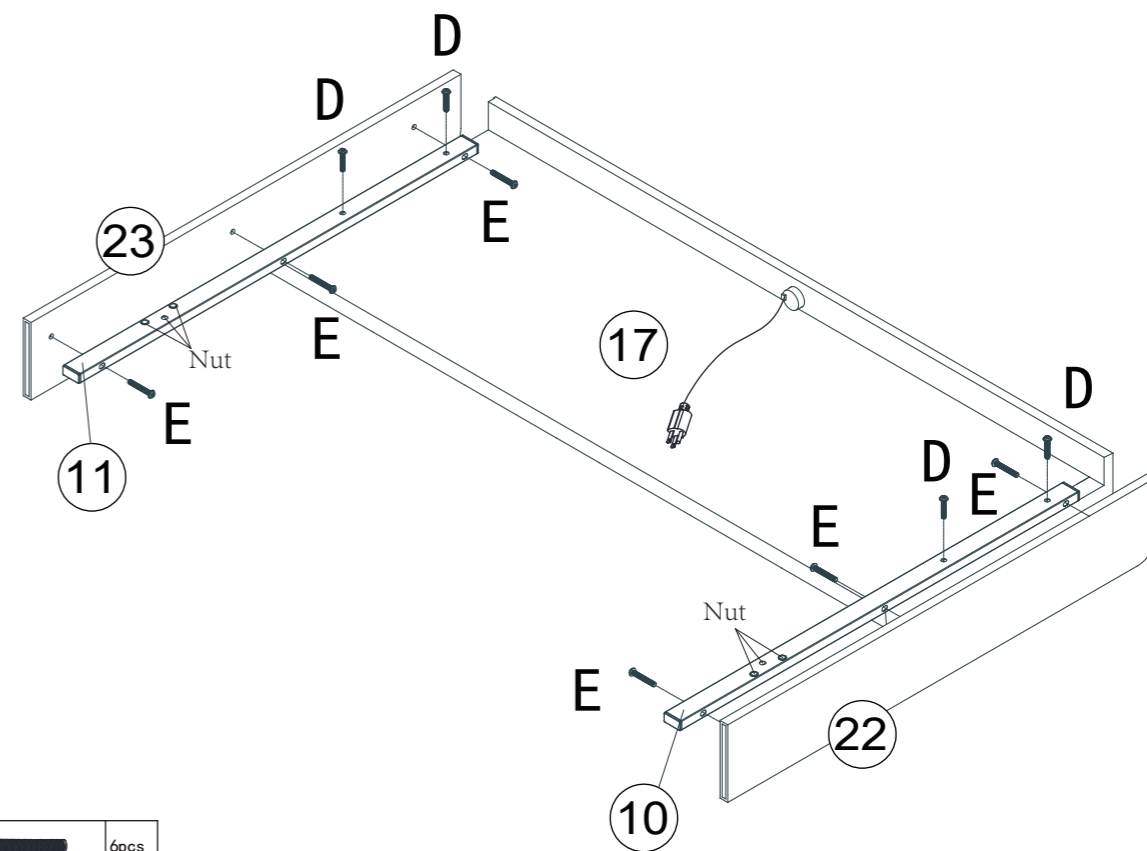
A		4pcs
---	---	------



18



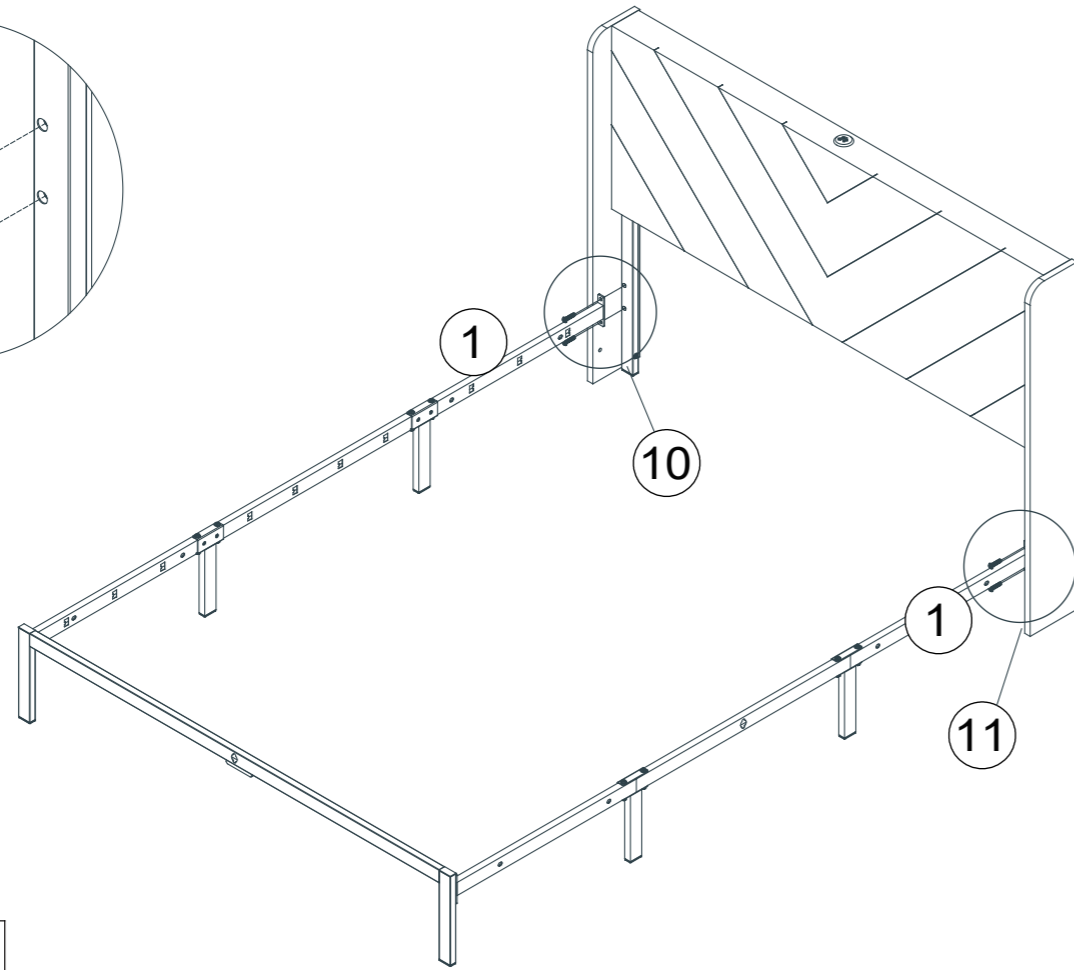
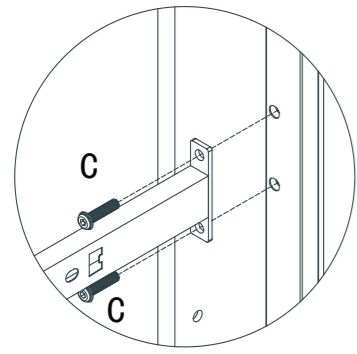
A		8 pcs
B		1 pcs

4



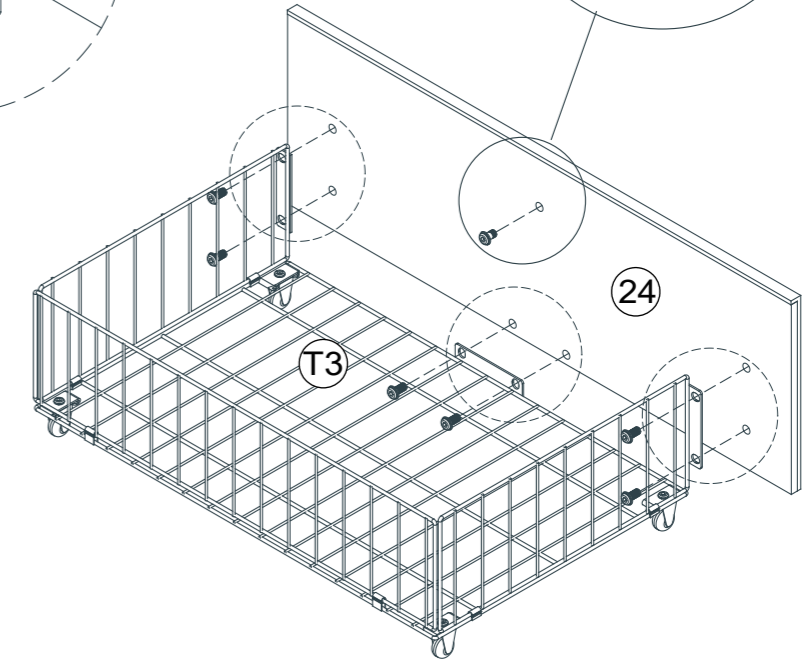
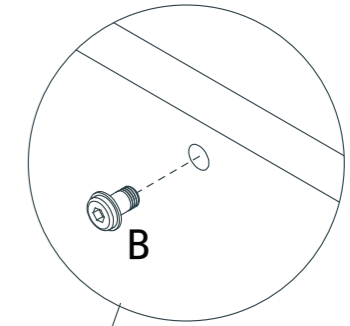
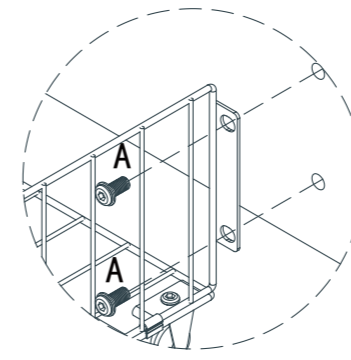
E		6 pcs
D		4 pcs

5



C		4pcs
---	--	------

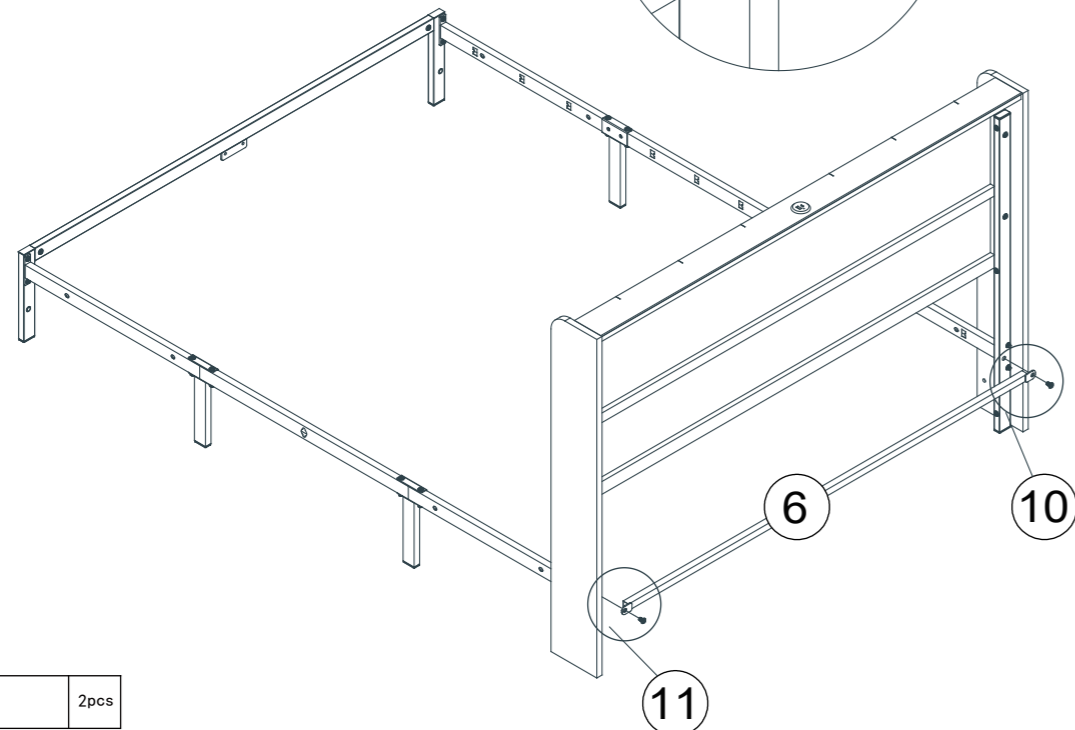
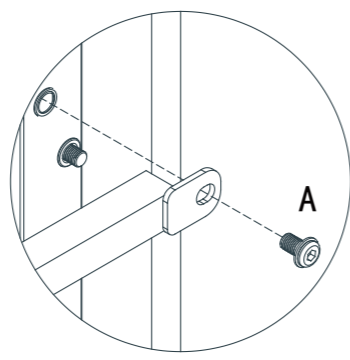
15



X2

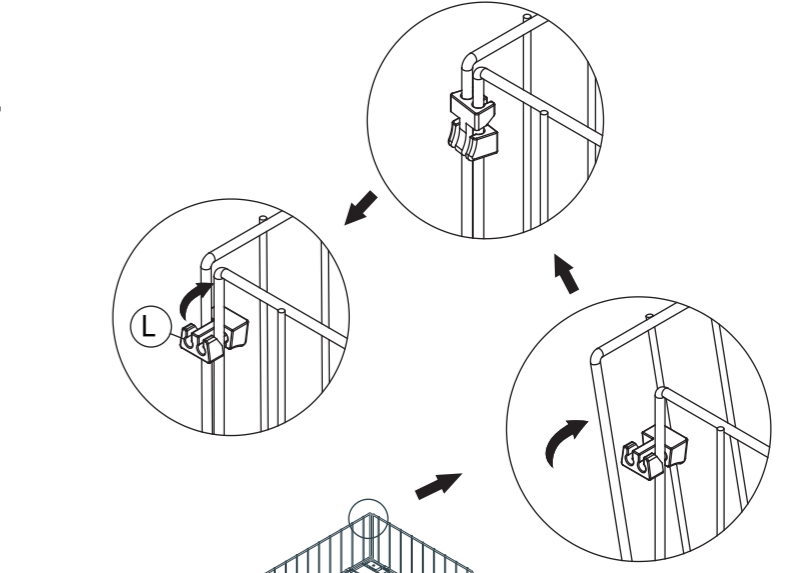
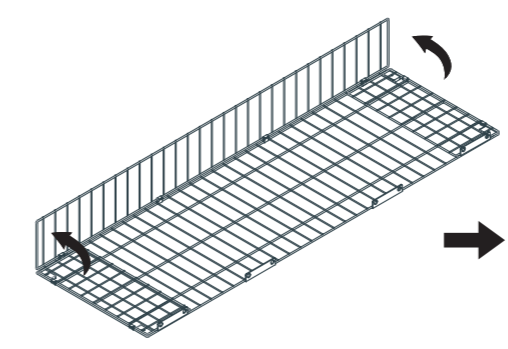
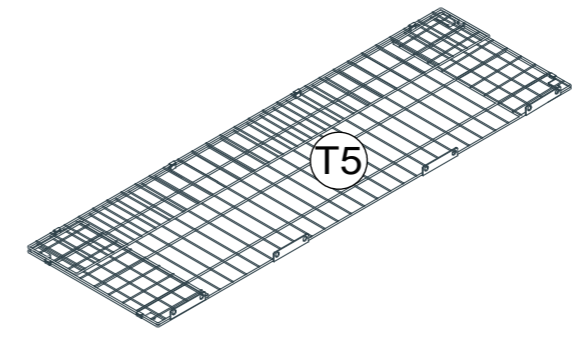
A		12pcs
B		2pcs

6



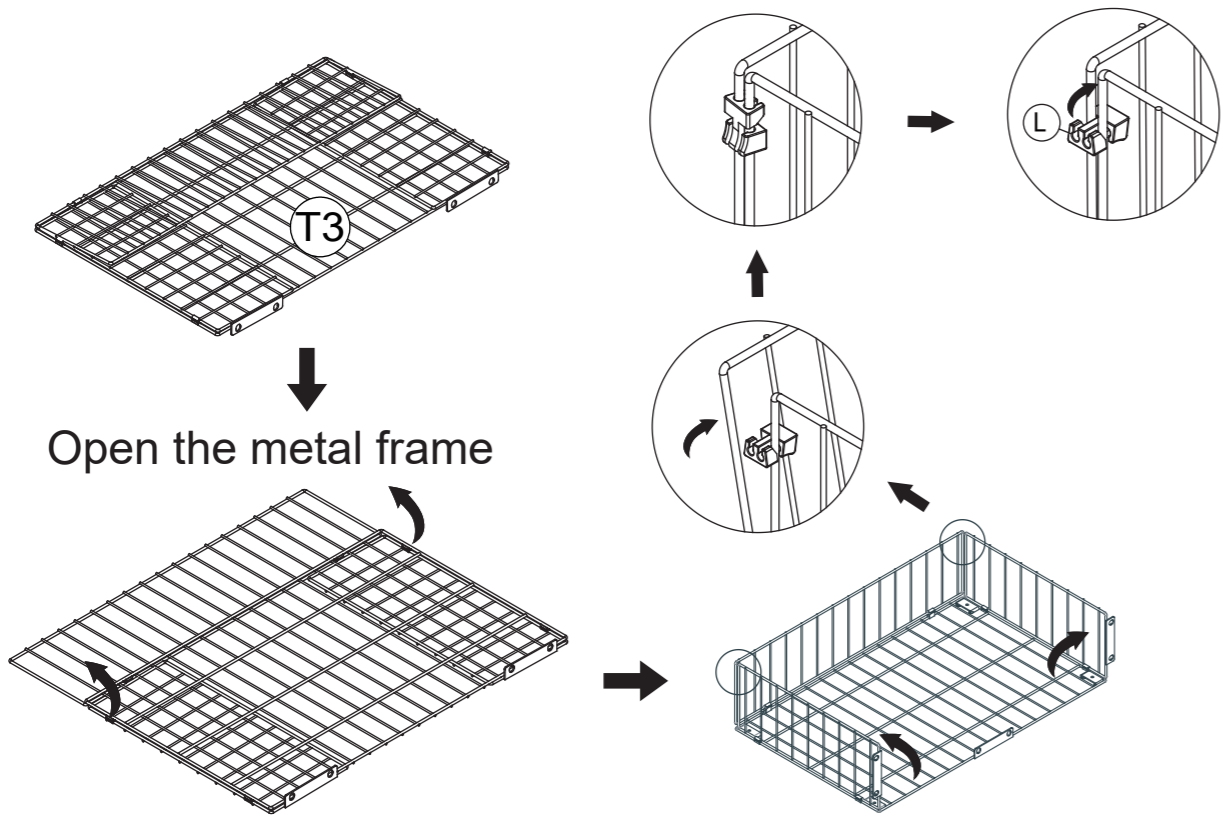
A		2pcs
---	--	------

16



rotates 90 degrees and gets stuck
metal frame as showed

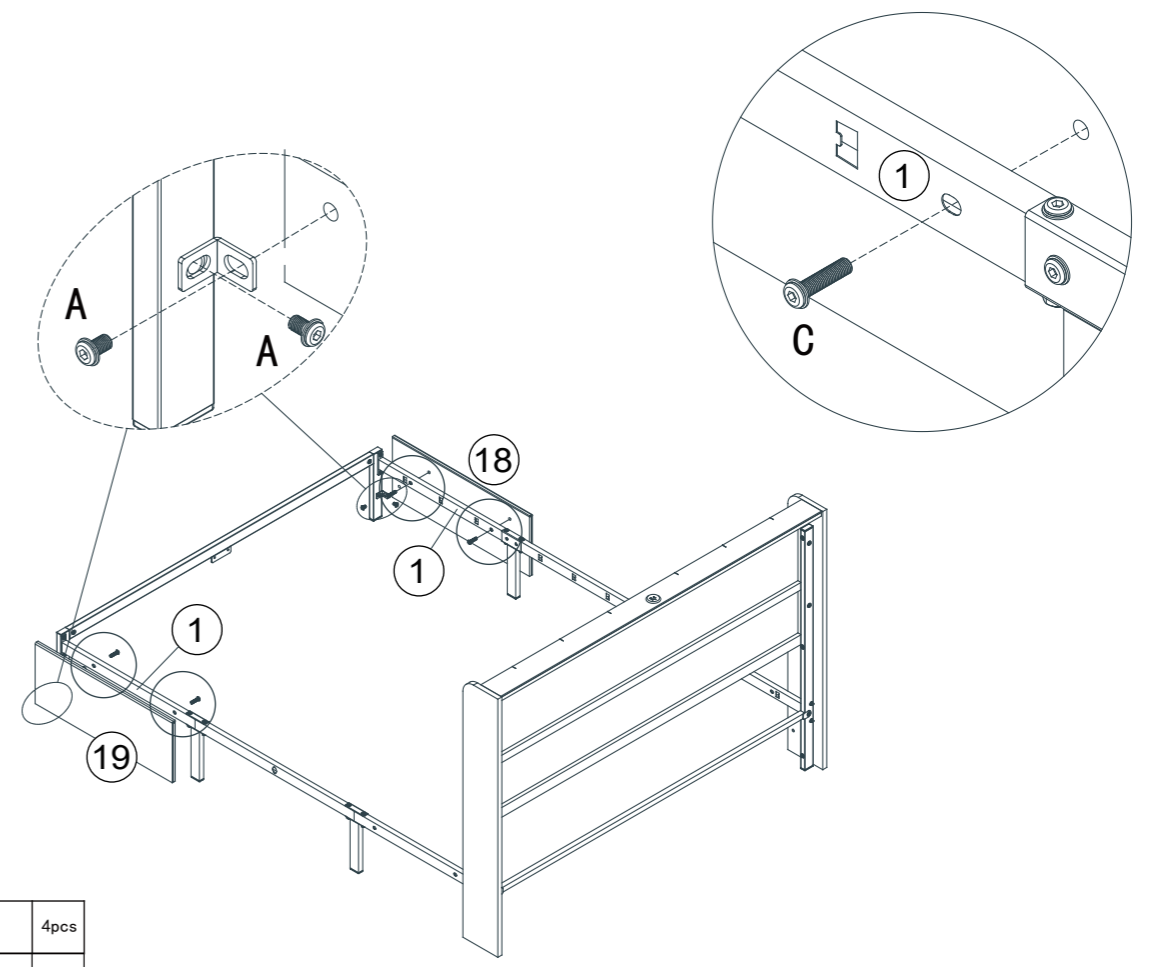
L		2pcs
---	--	------



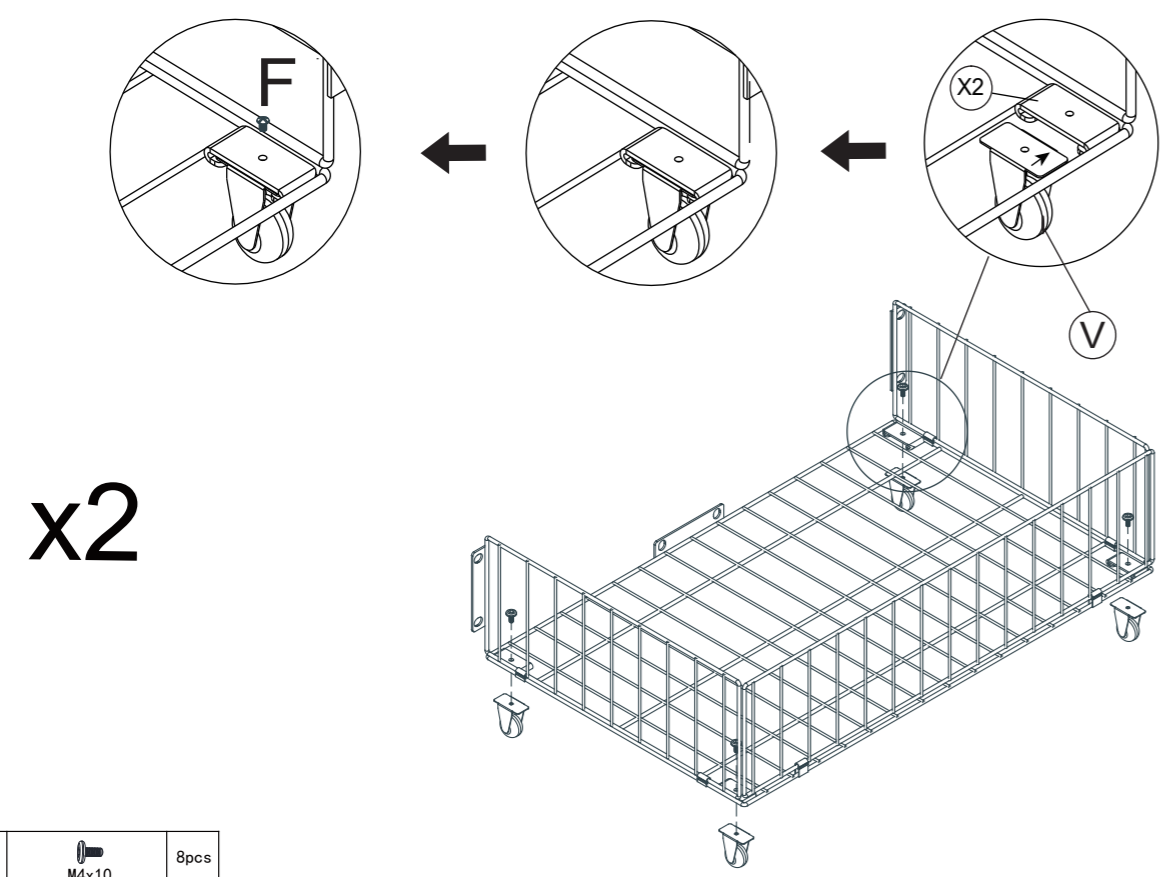
x2

rotates 90 degrees and gets stuck metal frame as showed

L		4pcs
---	--	------

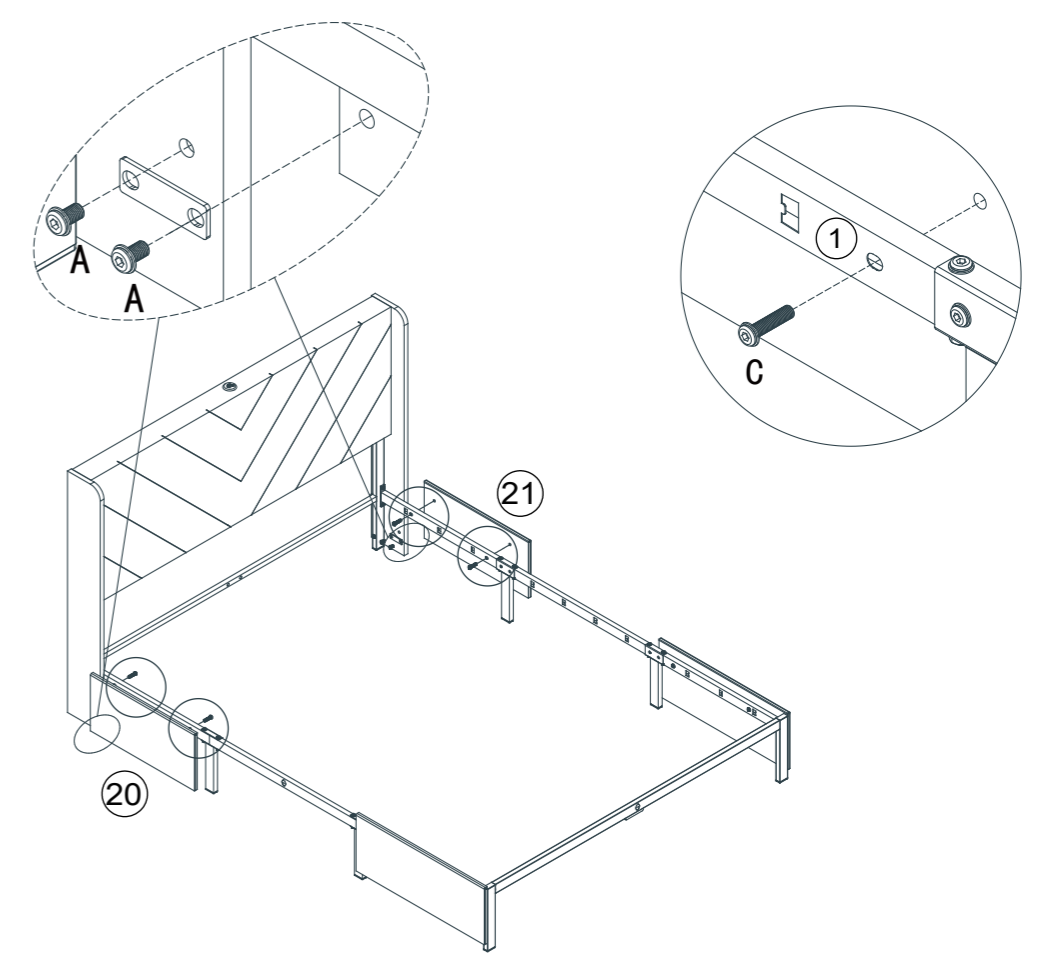


A		4pcs
C		4pcs

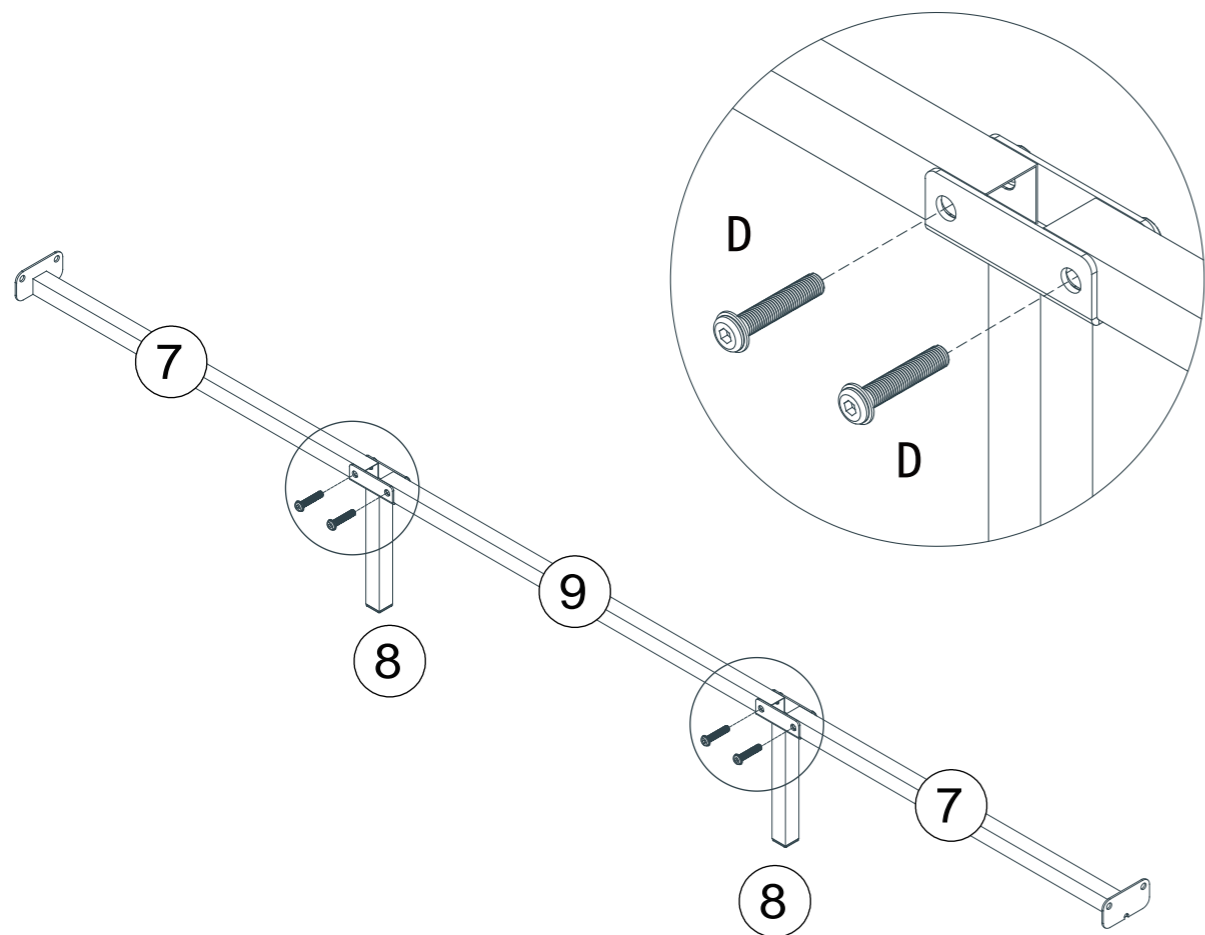


x2

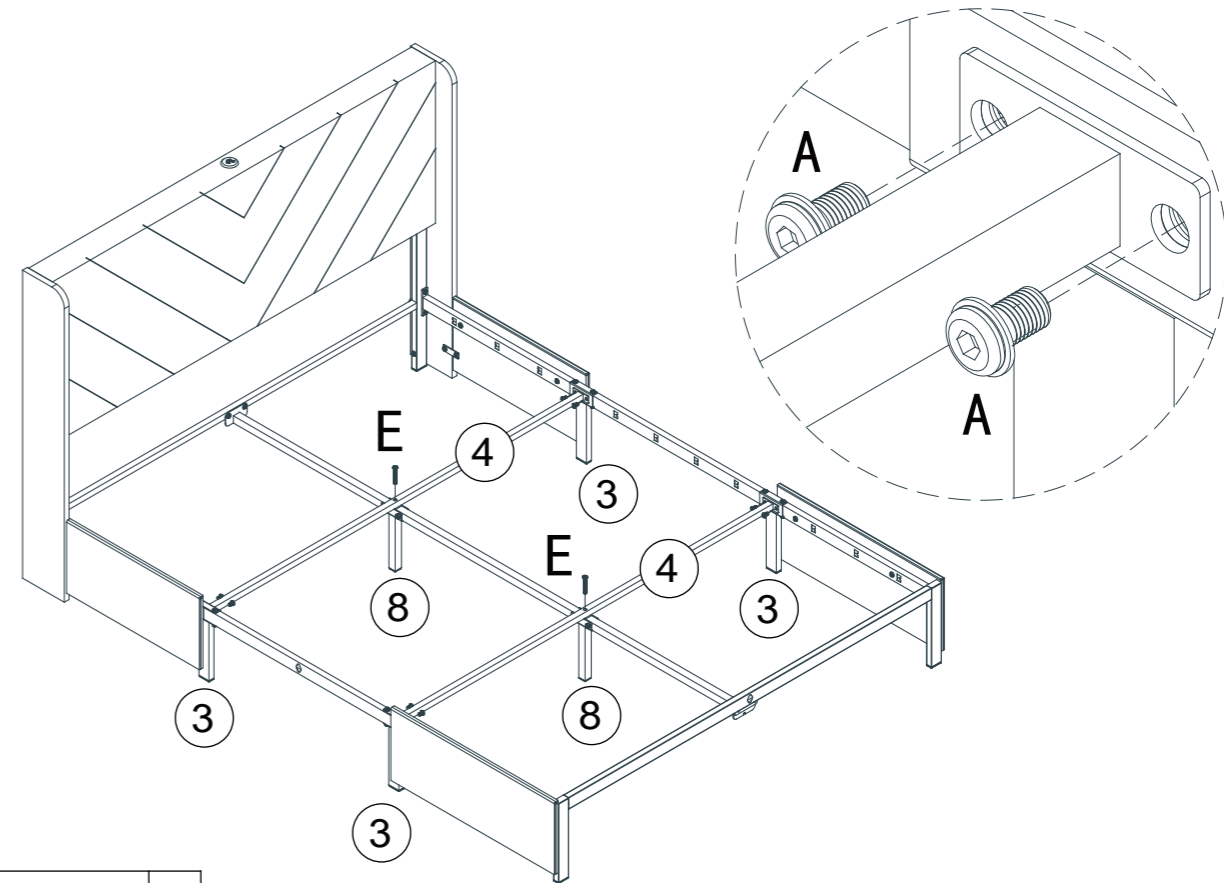
F		8pcs
	M4x10	



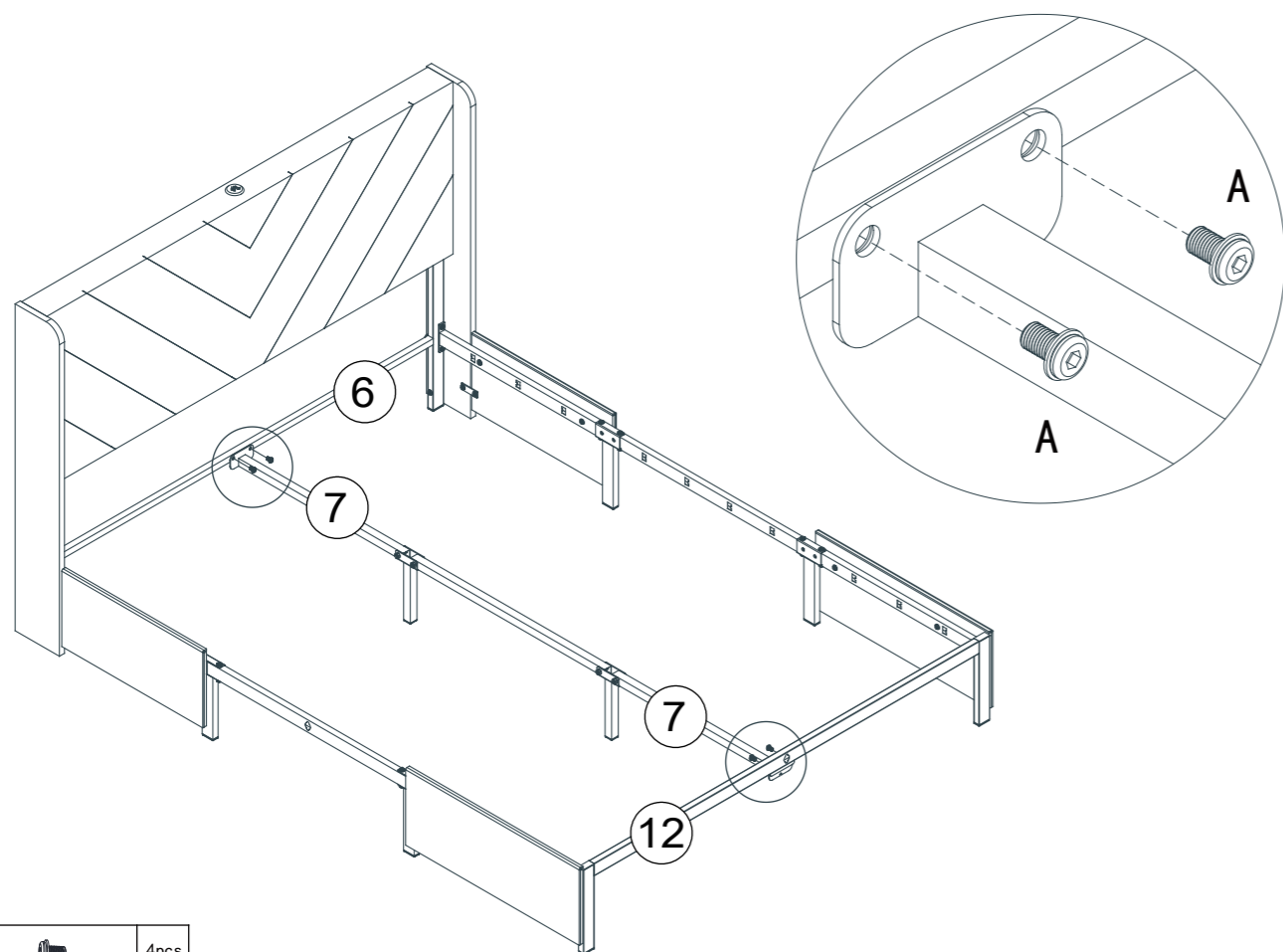
A		4pcs
C		4pcs



D		4pcs
---	--	------

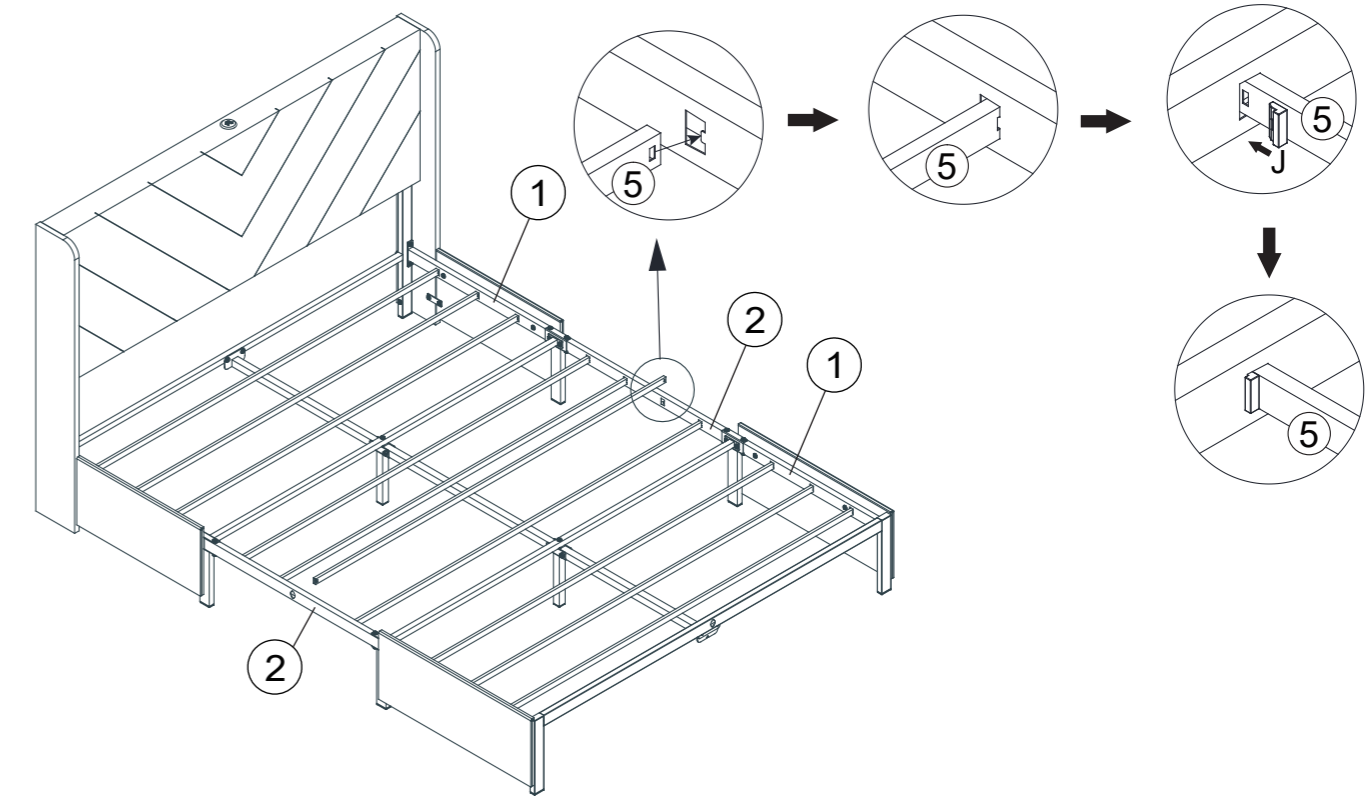


A		8pcs
E		2pcs



A		4pcs
---	--	------

NOTE: Please push to the bottom.



Install metal slats on the bed and use J pad to fix