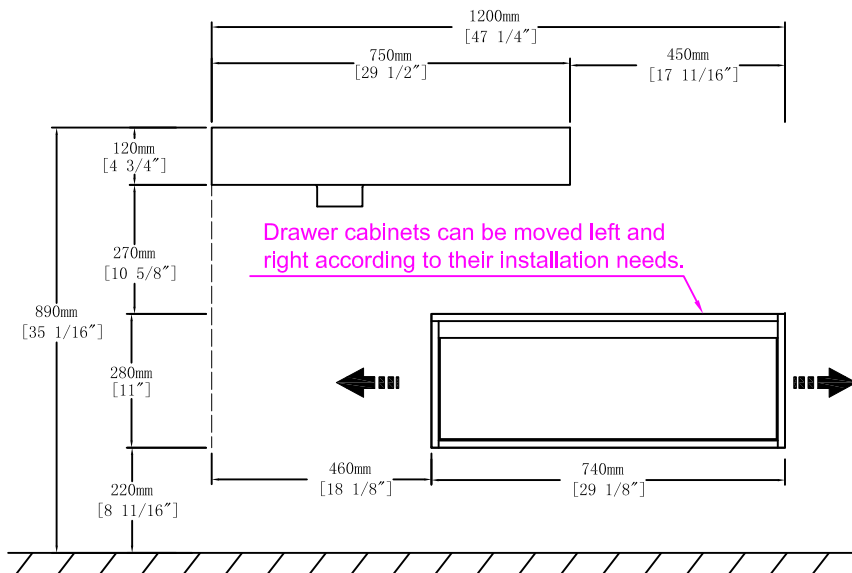
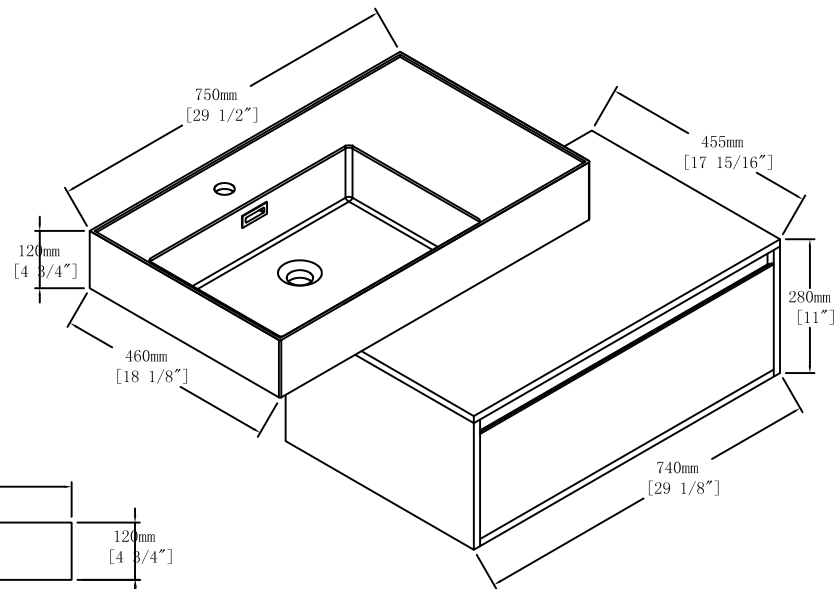
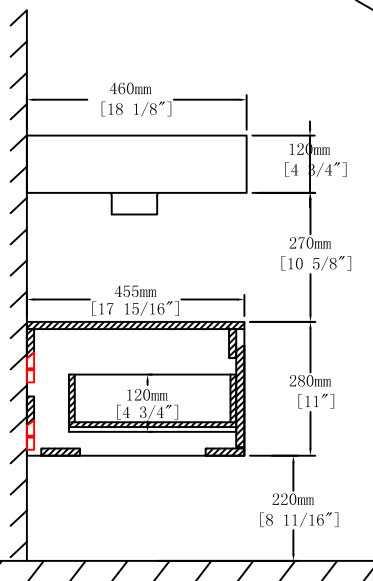


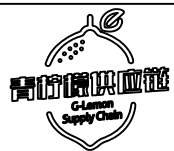
Top View



Front View



Side View



Item NO.	BV B09430-L	Version	V1
Project		Date	2024-7-15