




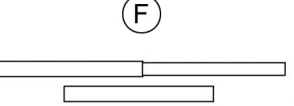


# 1" DRAPERY ROD INSTALLATION INSTRUCTIONS - 72-144" ROD SET

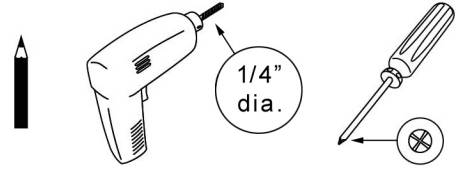
Care Instructions: Clean with a soft cloth. Do not use abrasive cleaning agents, solvents or polishes.

**SET INCLUDES:**

					
X6	X6	X3	X1	X2	Extends 72-144" X1

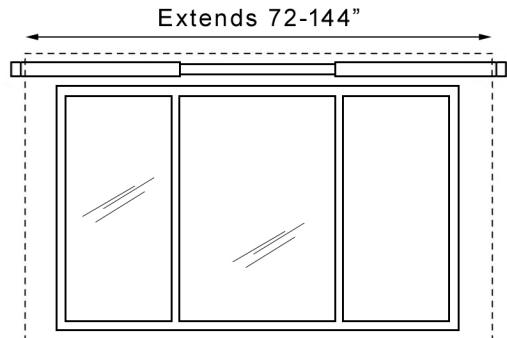
Note: Cap (D) fits to the smaller diameter rod - Caps (E) fit to the larger diameter rods.

**YOU WILL NEED:**



1/4" dia.

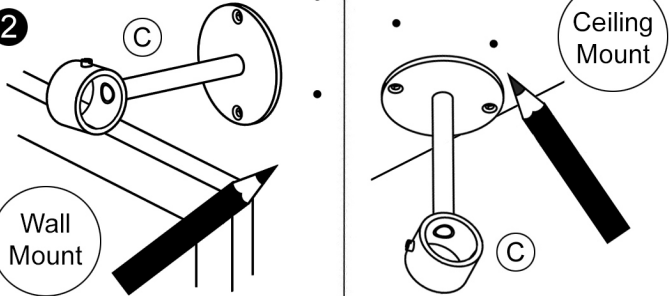
**1**



Extends 72-144"

Before installation, measure windows to determine appropriate drapery rod length.

**2**

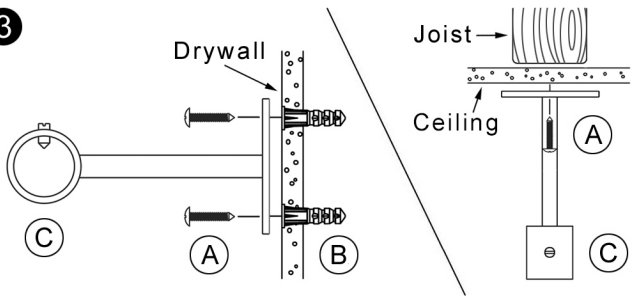


Wall Mount

Ceiling Mount

Use bracket (C) as a guide to mark location for mounting screws (A). Drill pilot holes into wall with 1/4" drill bit (not included).

**3**



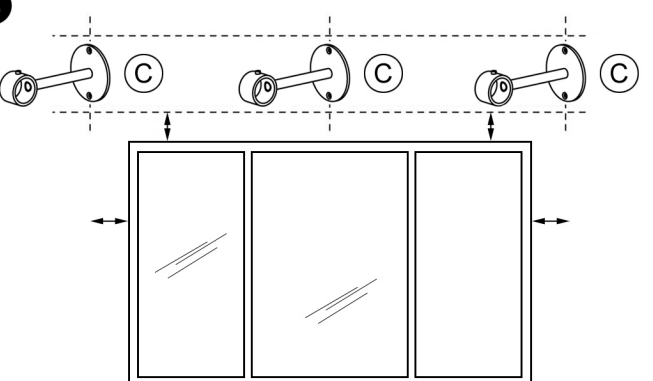
Drywall

Joist

Ceiling

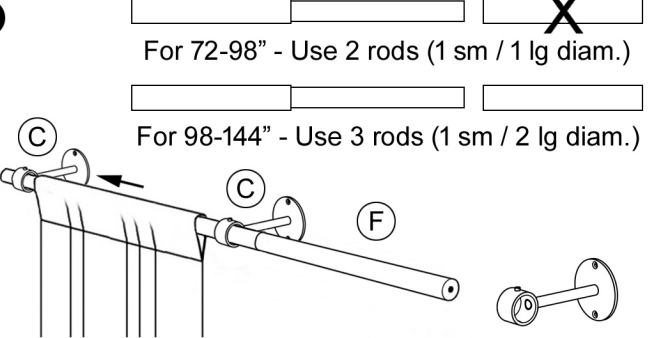
Insert wall anchors (B) into pilot holes and attach bracket (C) using mounting screws (A). Wall anchors may not be necessary if drilling into studs. For ceiling mount installation, we recommend mounting to a ceiling joist or to consult your local hardware store for the best hardware for your application.

**4**



Repeat steps 2-3 for additional brackets. Use level if necessary.

**5**

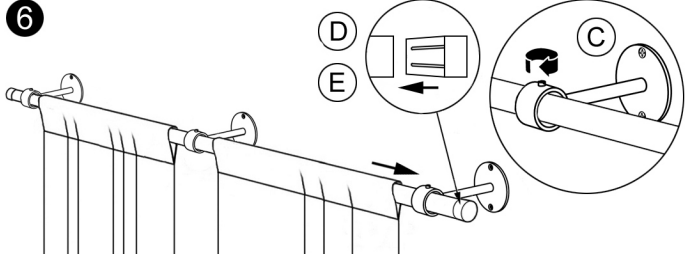


For 72-98" - Use 2 rods (1 sm / 1 lg diam.)

For 98-144" - Use 3 rods (1 sm / 2 lg diam.)

Extend telescoping rod (F) slightly and feed through the ring on the center bracket (C). Place drapery panel(s) (not included) onto drapery rod and feed the rod through the ring on the end bracket (C).

**6**



Place drapery panel(s) (not included) onto drapery rod and feed through the ring on the remaining bracket (C). Insert finials (D & E) into ends of rod and tighten set screws on brackets (C).