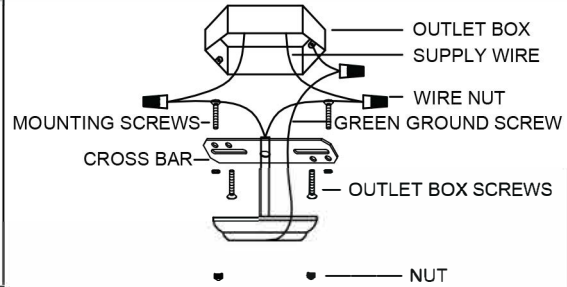


# USER MANUAL

Thank you for purchasing our product.

The wiring connection of luminaire and outlet box

Connect the positive electrode (L) of the main wire to the positive electrode of the outlet box supply wire. Connect the negative electrode (N) of the main wire to the negative electrode of the outlet box supply wire. Connect the fixture ground wire to the outlet box ground wire with wire connectors.

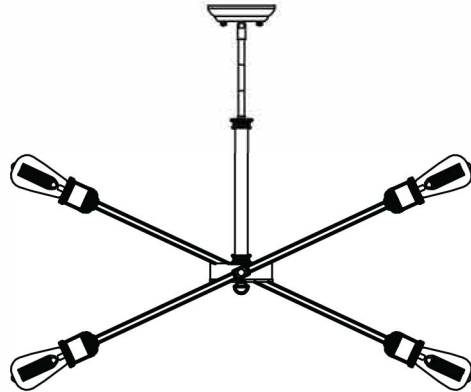


## CAUTION

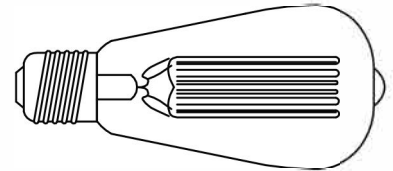
1. Rated 110-130V/60Hz, bulb 40W-60W maximum.
2. Care should be taken to avoid damage to the surface of lighting and wire. Wearing gloves are recommended when installing.
3. Keep lighting away from acid, alkali and other corrosive chemical or gas. Clean the lighting with clean soft cloth only.
4. Installation must be carried out by qualified electrician only.
5. Disconnect the power before installing, cleaning and replacing lighting.
6. Never cover the lighting when power is connected.

## MISE EN GARDE

1. évalué 110 ~ 130V / 60Hz, ampoule 40W-60W maximum.
2. Des précautions doivent être prises pour éviter d'endommager la surface de l'éclairage et du fil. Le port de gants est recommandé lors de l'installation.
3. Gardez l'éclairage éloigné de l'acide, des alcalis et d'autres produits chimiques ou gaz corrosifs, nettoyez l'éclairage uniquement avec un chiffon doux et propre.
4. L'installation doit être effectuée uniquement par un électricien qualifié.
5. Débranchez l'alimentation avant d'installer, de nettoyer et de remplacer l'éclairage.
6. Ne couvrez jamais l'éclairage lorsque l'alimentation est connectée.



Requires E26 40W-60W bulbs (not included)



# INSTRUCTION

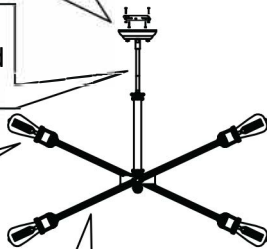
4A. Lock the crossbar on the junction box of the ceiling by using 2 pcs of 5/32 screws in the accessories bag.

4B. Connect the wires. The positive (+) wire is the one which has writing on it. The negative (-) wire is the one which has no writing. The bare wire is the ground wire.

4C. Cover the ceiling canopy and attach the screws to the canopy.

1. There are three 11.8 inches rods. The lamp can be adjusted to the height that you need.

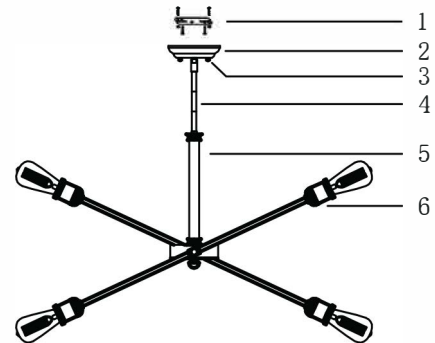
3. Install 10 E26 bulbs (Not included).



2A. Screw 5 arms (part #6) into part #5. Attach the black wires from the light socket to the positive wire (L) from the main wire of the light fixture. Attach the white wire from the light socket to the negative wire (N) from the main wire of the light fixture. Cover the round metal part. Tighten this round piece using the finial.

2B. Adjust the arms at the proper angles in clockwise direction by hand.

Please note: The parts in this table are completely unassembled, for illustrative purpose. In the actual product that you receive, some parts are assembled and attached together.



Part Number	Picture	Quantity
1		1
2		1
3		2
4		3
5		1
6		5