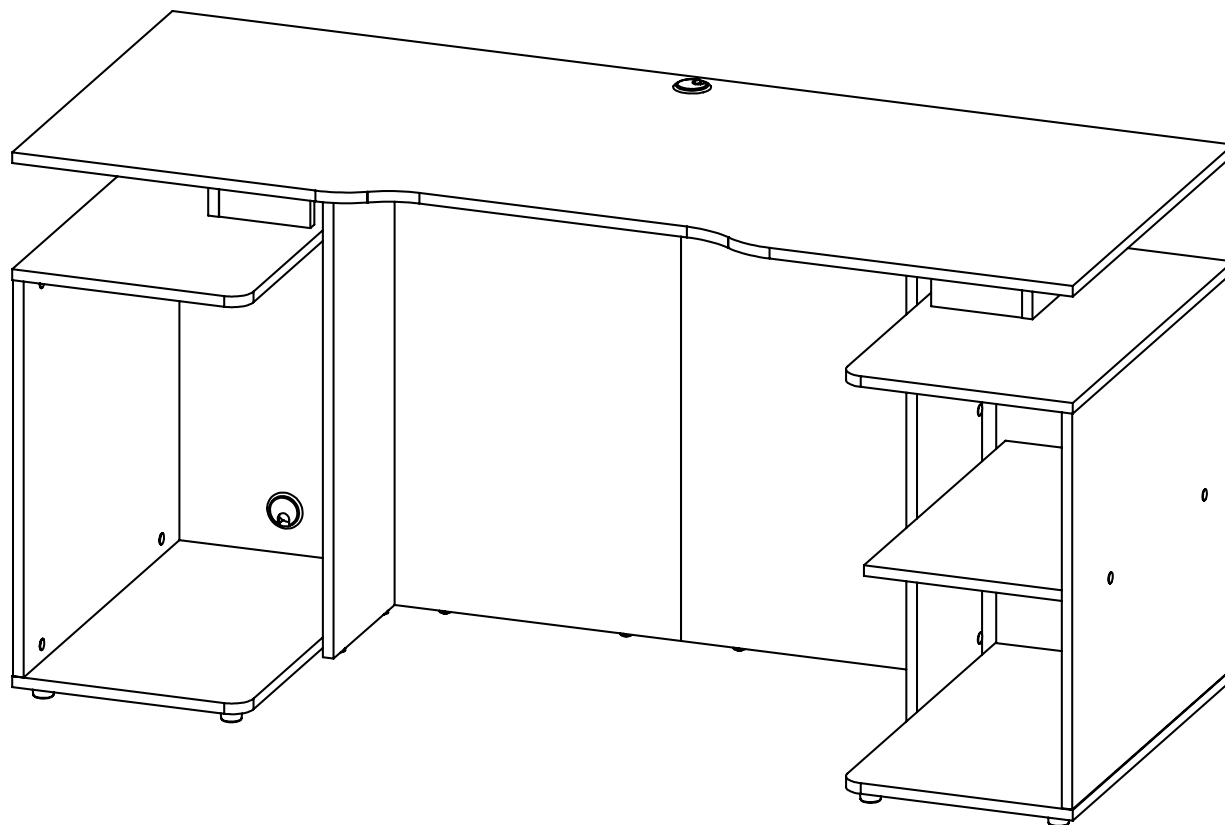
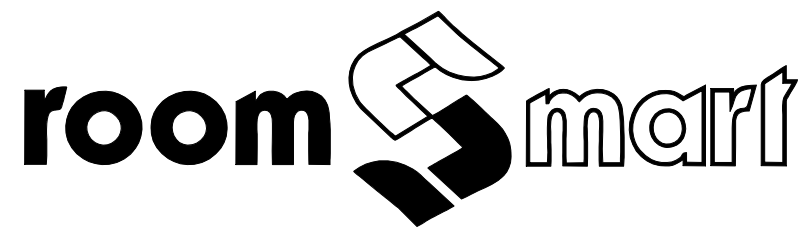
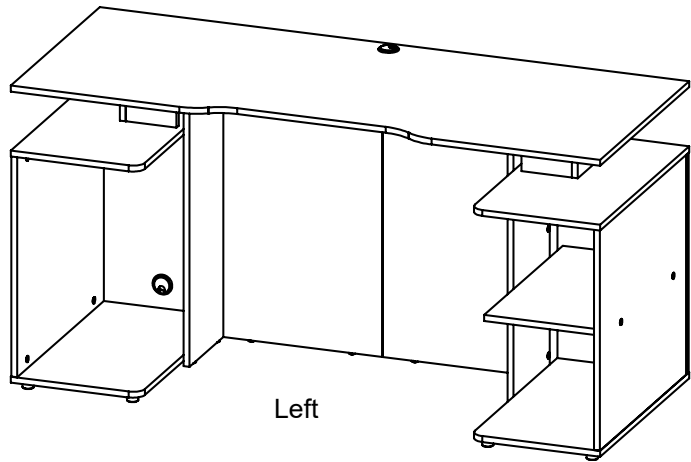


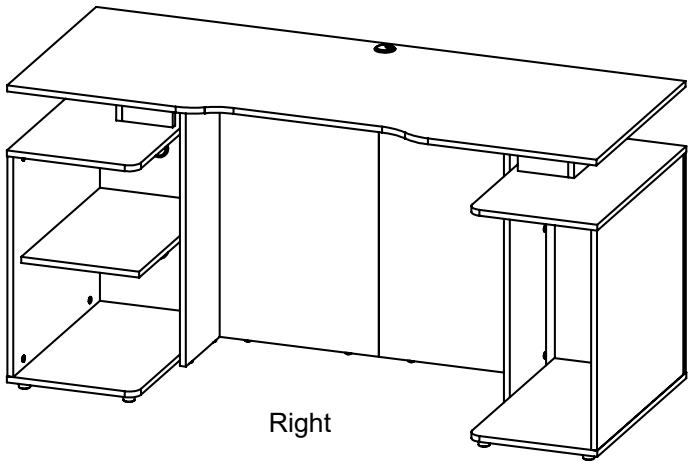
MORFEO GAMER DESK
M01775ES
Revisión:00/4/11/2022



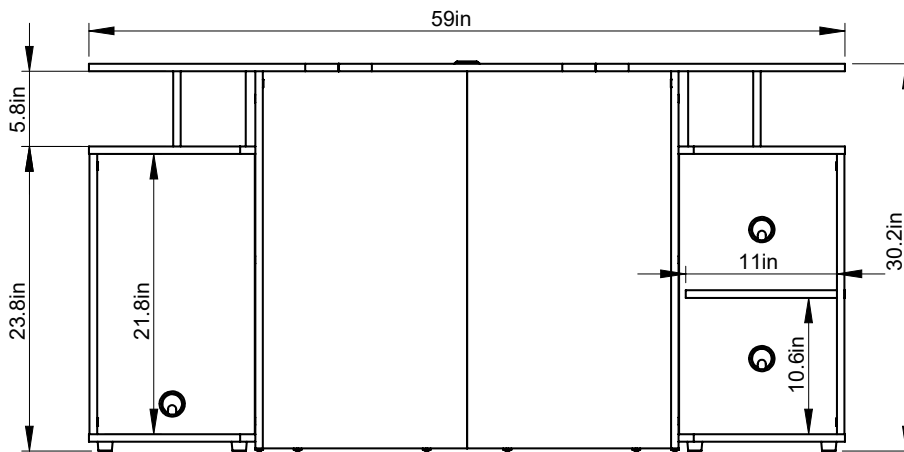


Left

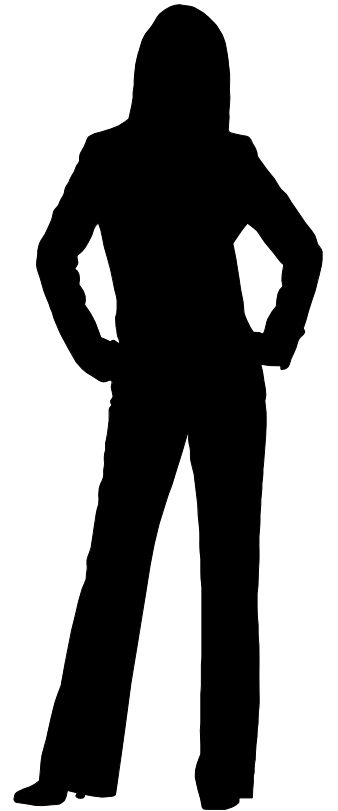
Desktop with CPU module that allows placing multiple configurations

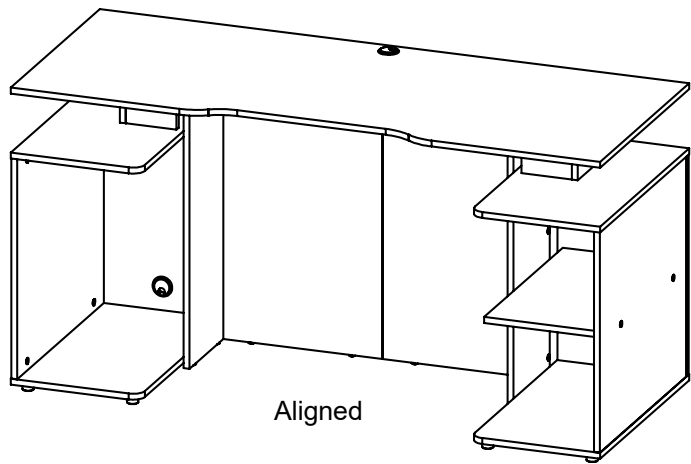


Right

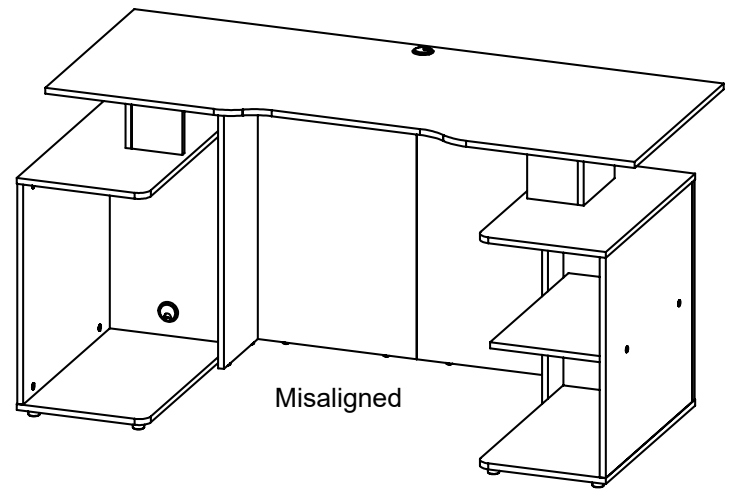


Depth: 23.6in

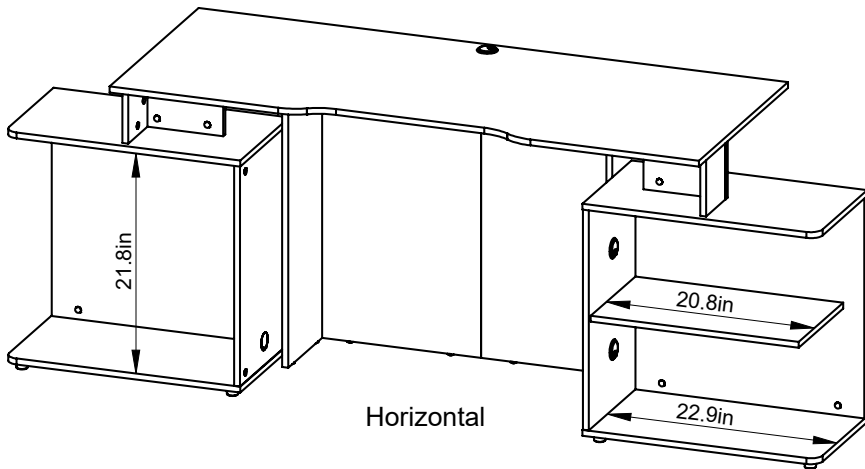




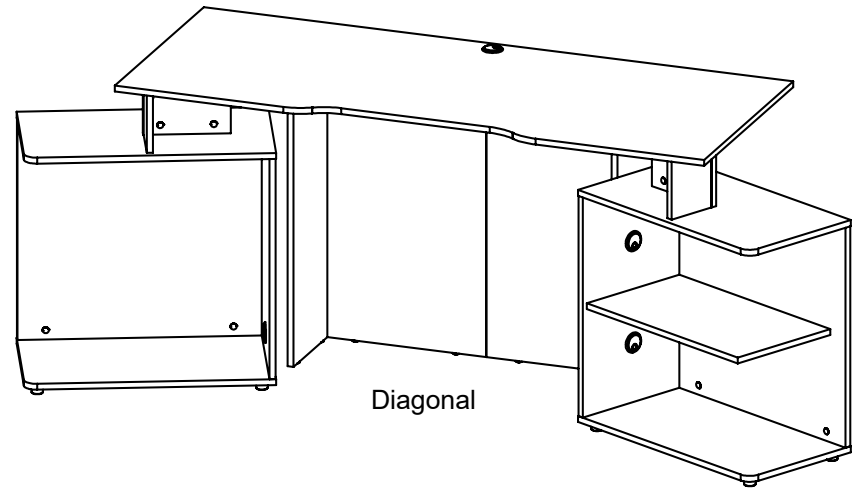
Aligned



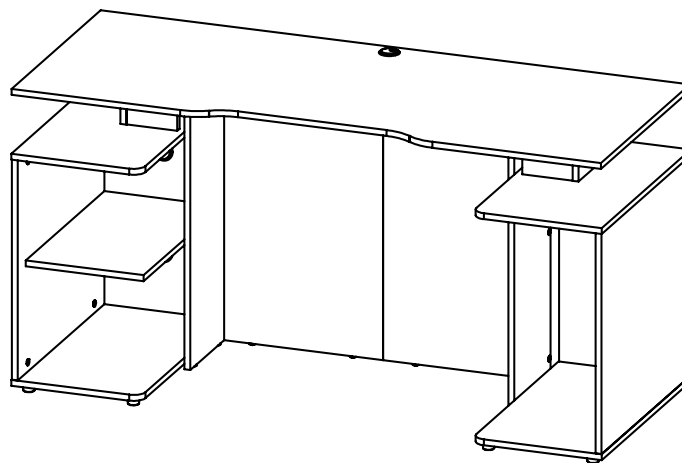
Misaligned



Horizontal



Diagonal



ACCESSORIES




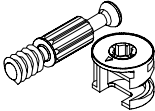
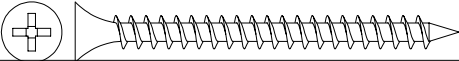

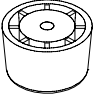

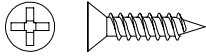

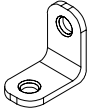
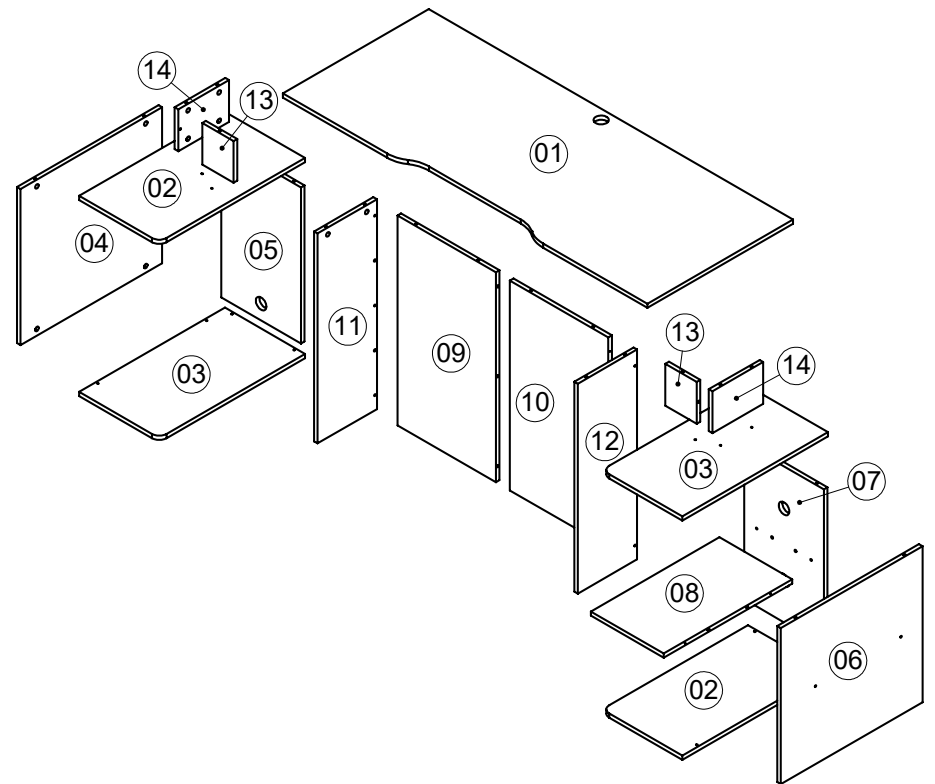
ILLUSTRATION	NAME	Q-TY	PART NUMBER
	LACE SLIPPER	8	WE 20080050
	MINIFIX 15MM CONNECTOR BOLT DOUBLE	3	012378
	ADHESIVE SCREW COVER	54	WE 012557
	MINIFIX 15MM CONNECTOR BOLT	38	0002715
	6 x 2 AVE PHI SCREW	10	0000152
	8X30 WOODEN PLUG	8	20030001
	30X20 LEG	8	NE 20080015
	8X5/8 PAN PHI SCREW	8	0004679
	6 x 5/8 AVE PHI ZINC SCREW	8	0004705
	43*15 MM DESK GROMMET	4	NE 006114

ILLUSTRATION	NAME	Q-TY	PART NUMBER
	CND1912 STEEL CORNER	4	0004637

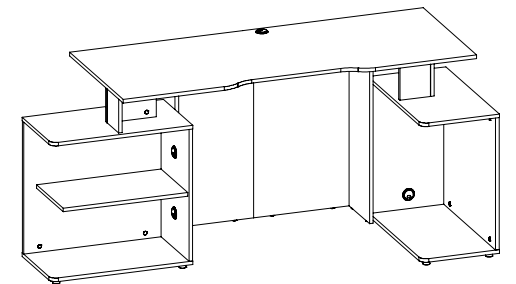
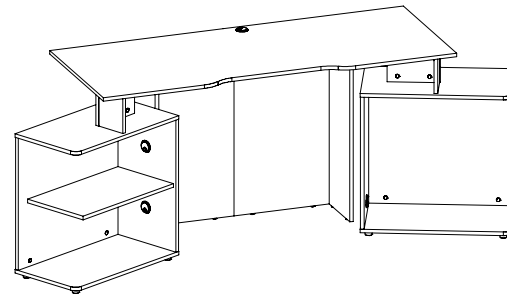
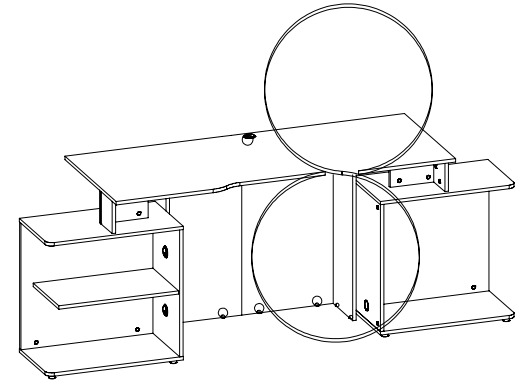
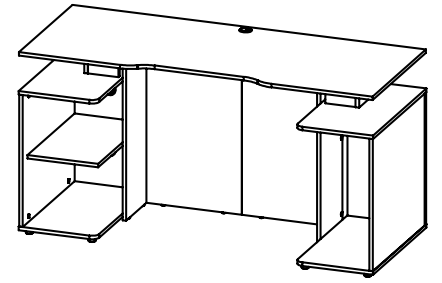
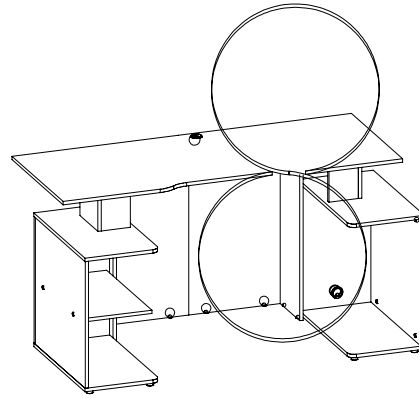
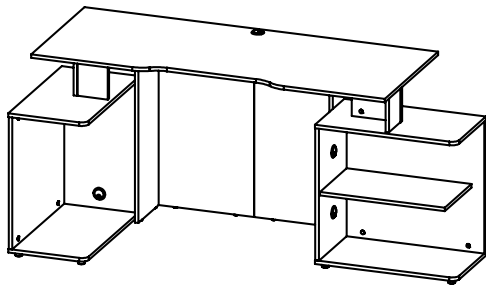
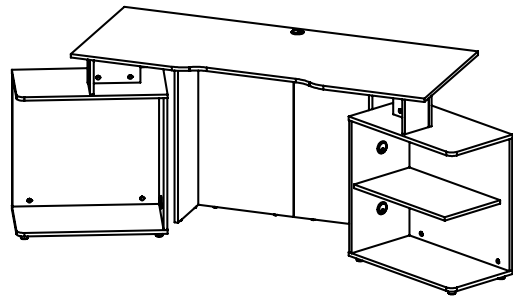
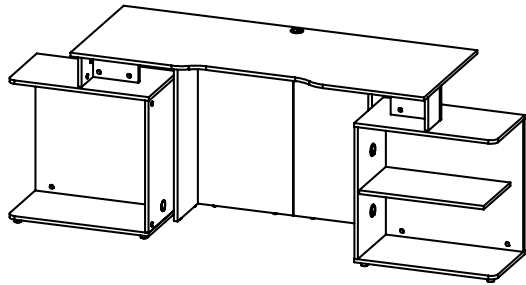
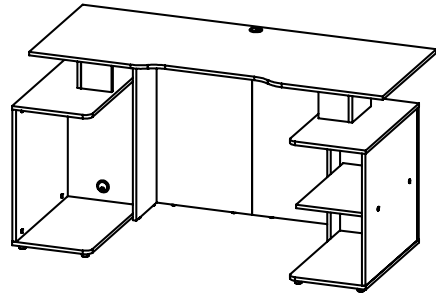
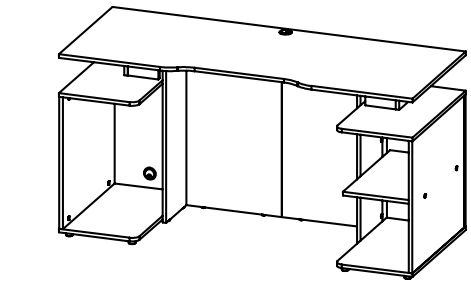


Warning:

Before starting the assembly process, review on the next page, the forms of assembly that the product has and choose the best option.

The information and characteristics of accessories that appear in this ASSEMBLY MANUAL may be subject to change depending on their effective availability and may vary according to the marketed version. MADERKIT S.A. reserves the right to make changes at any time and without prior notice. This information is based on the latest update provided by the manufacturer, and the definitive characteristics of the furniture will be those known and accepted by the buyer. Valid until a new factory update. The parts and/or accessories that must be replaced for warranty purposes will be made by the equivalent version available at the time of the item to be replaced.

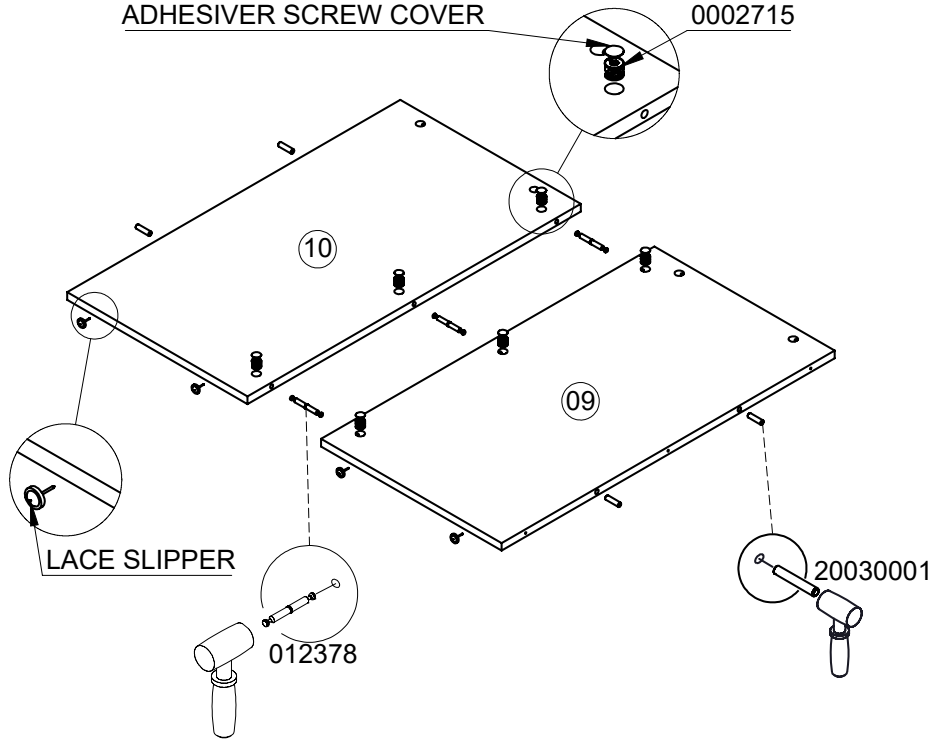
ARMED POSITIONS



STEP 1

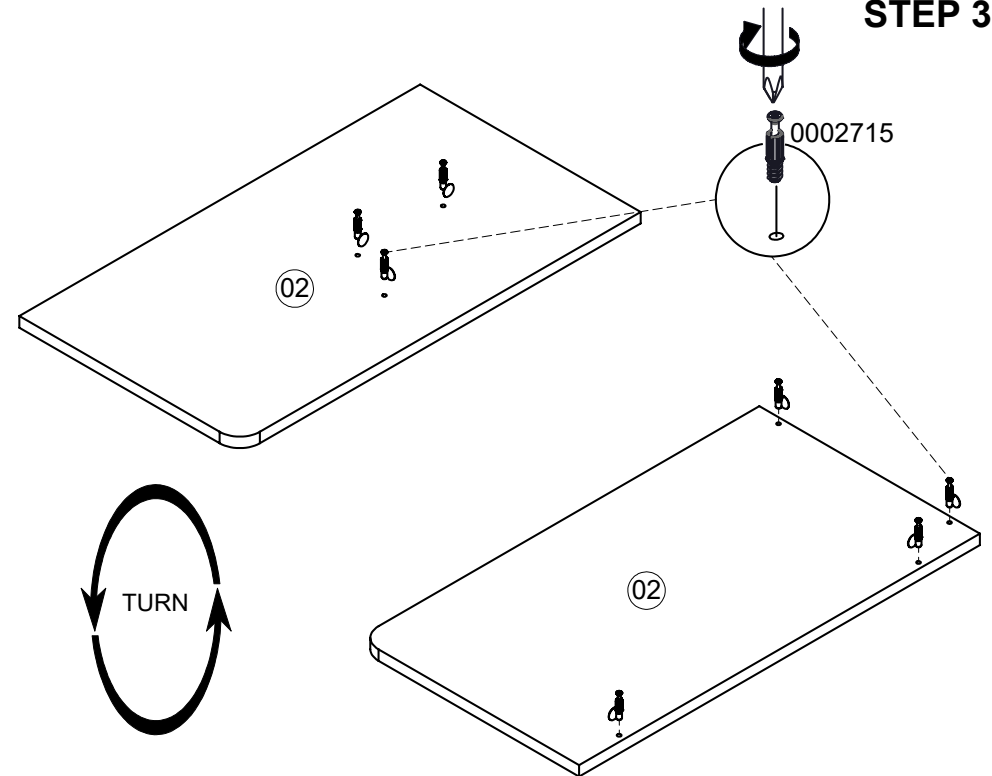
ADHESIVER SCREW COVER

0002715

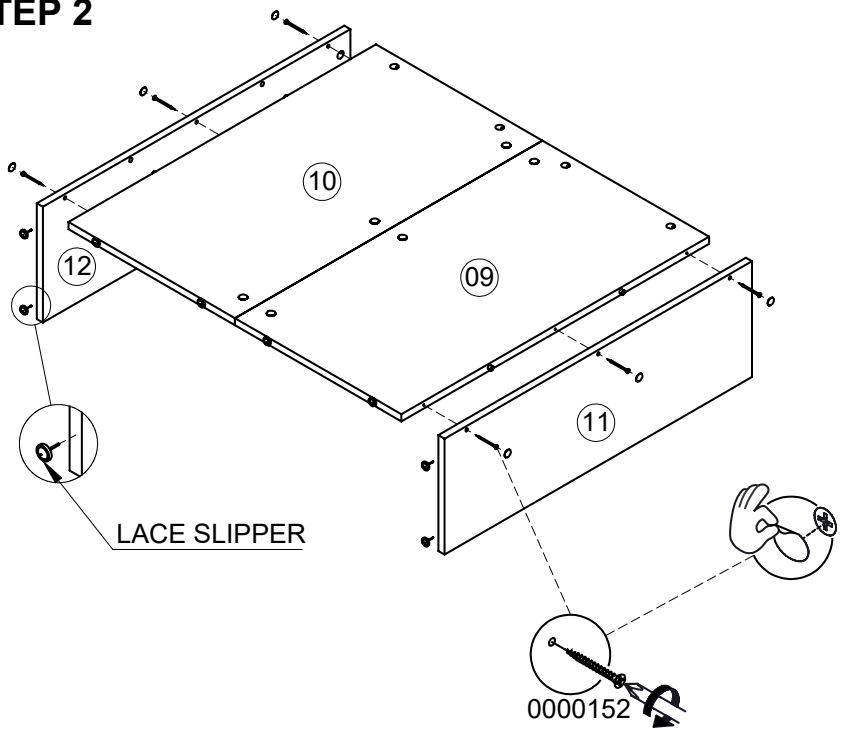


STEP 3

0002715



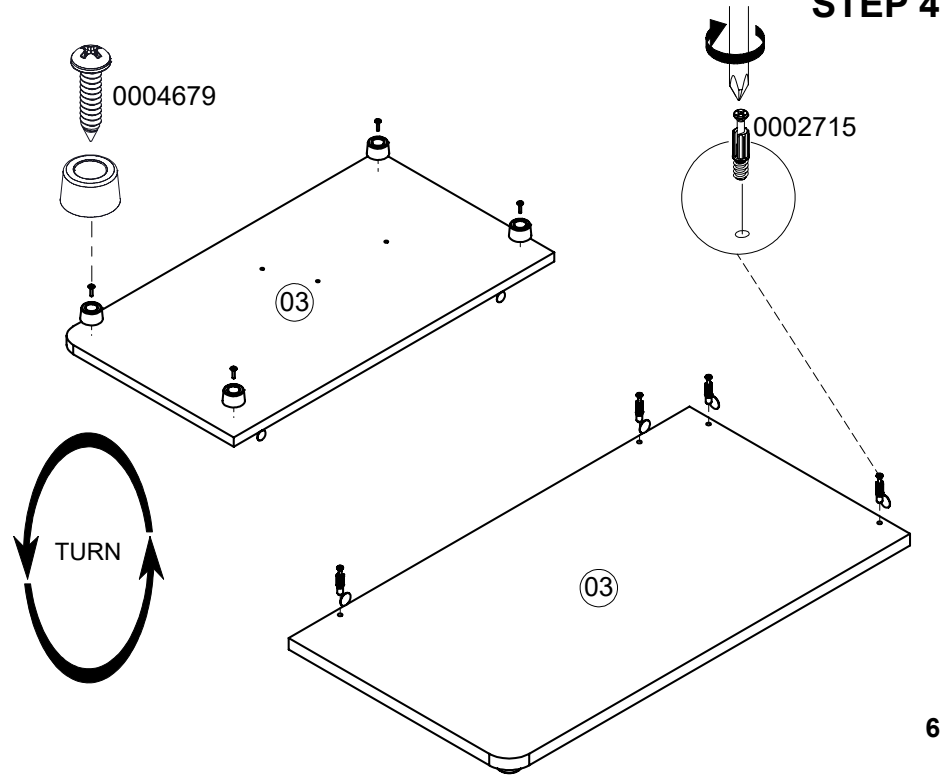
STEP 2



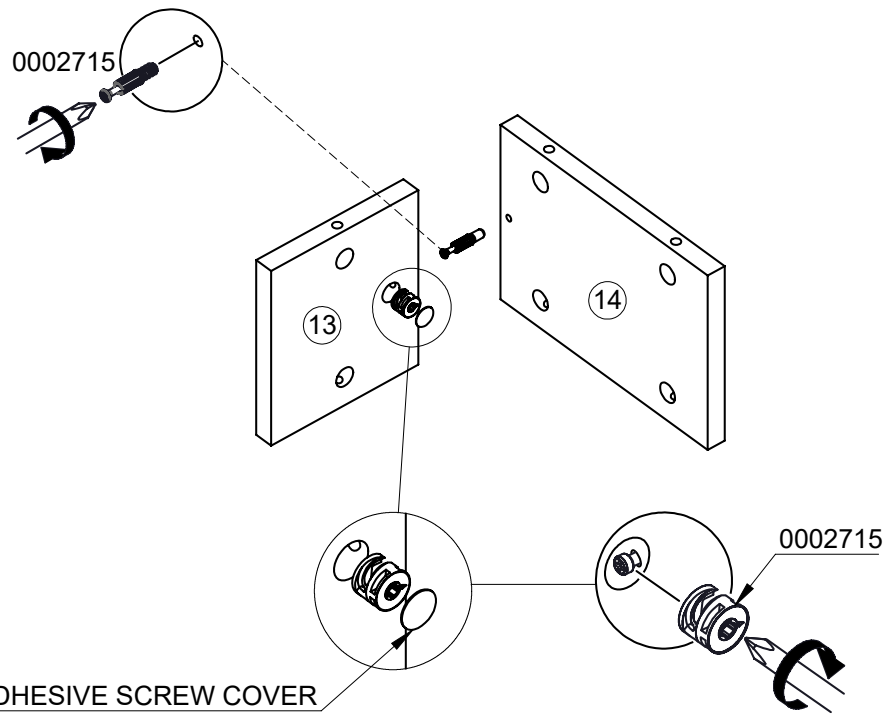
STEP 4

0004679

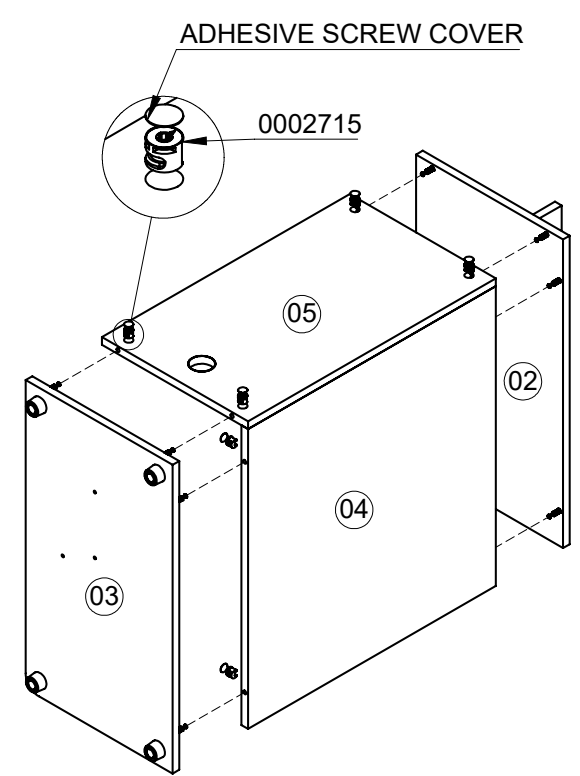
0002715



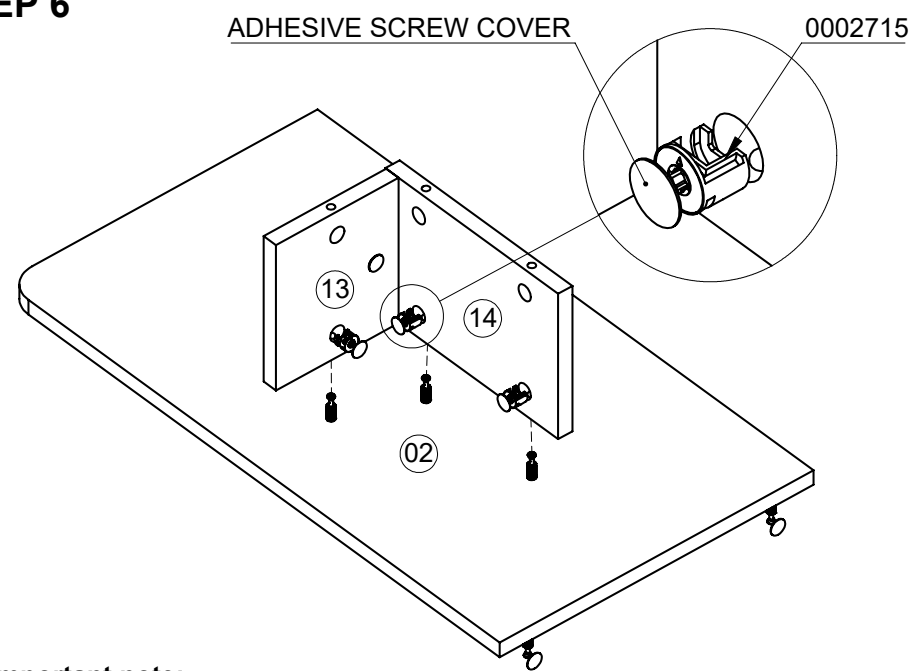
STEP 5



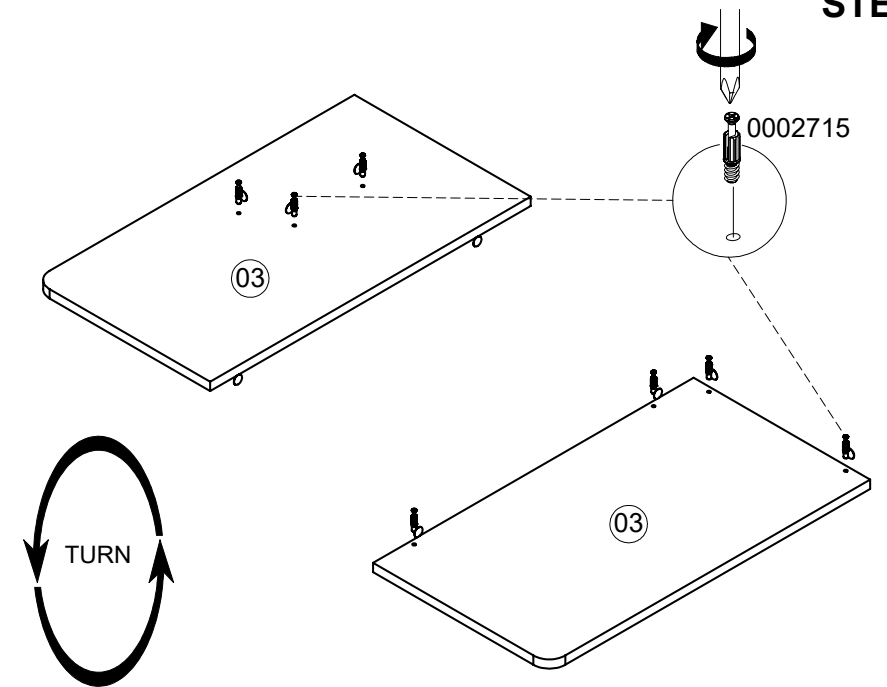
STEP 7



STEP 6

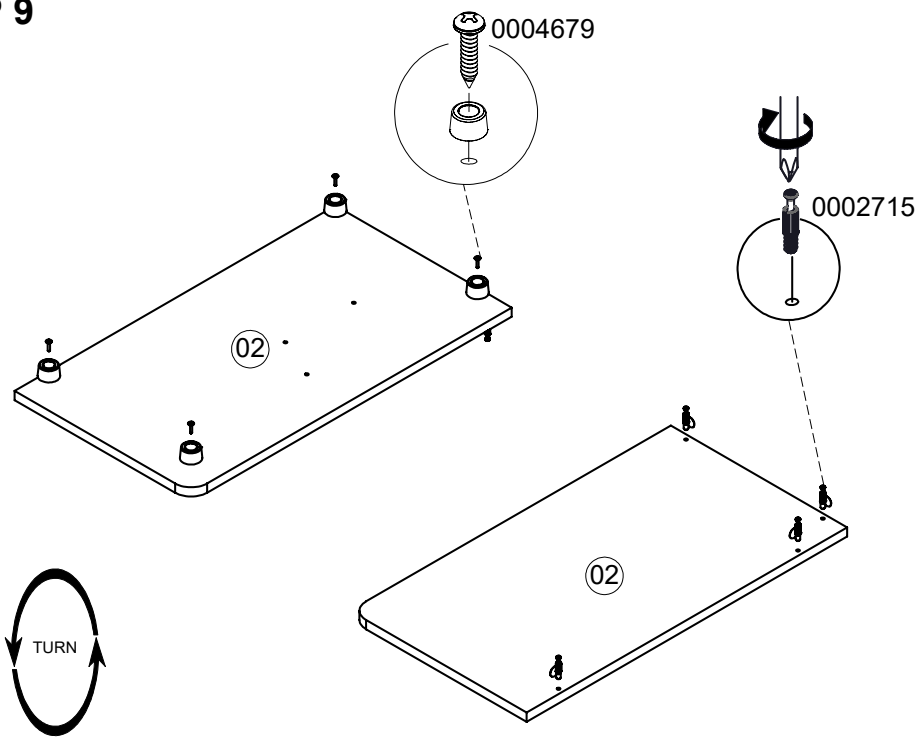


STEP 8

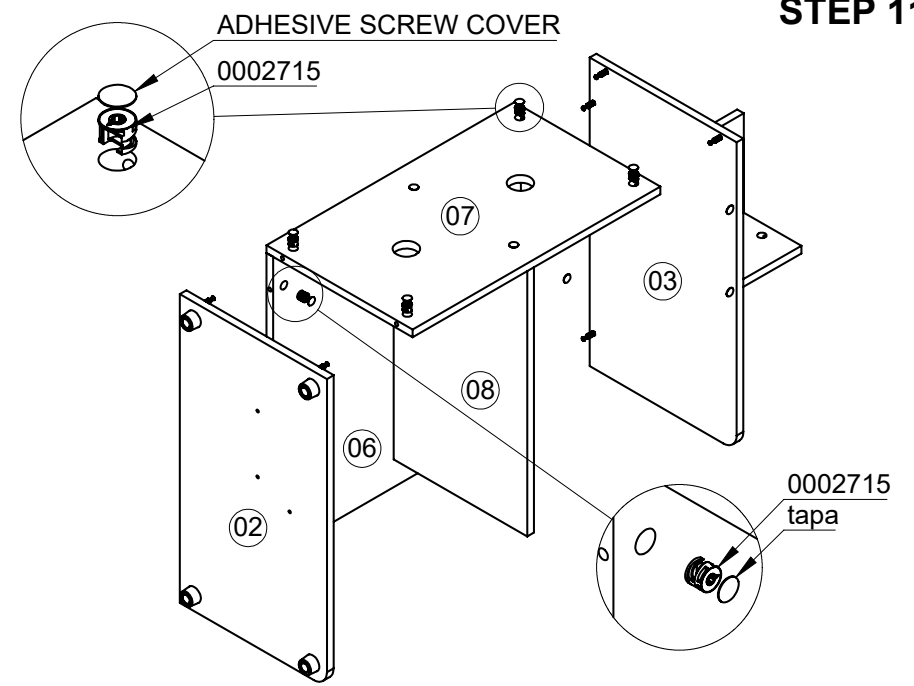


Important note:
 if you want the CPU module on the right, you only need to install the parts 13 and 14 on part #03 and the sliders on part #02

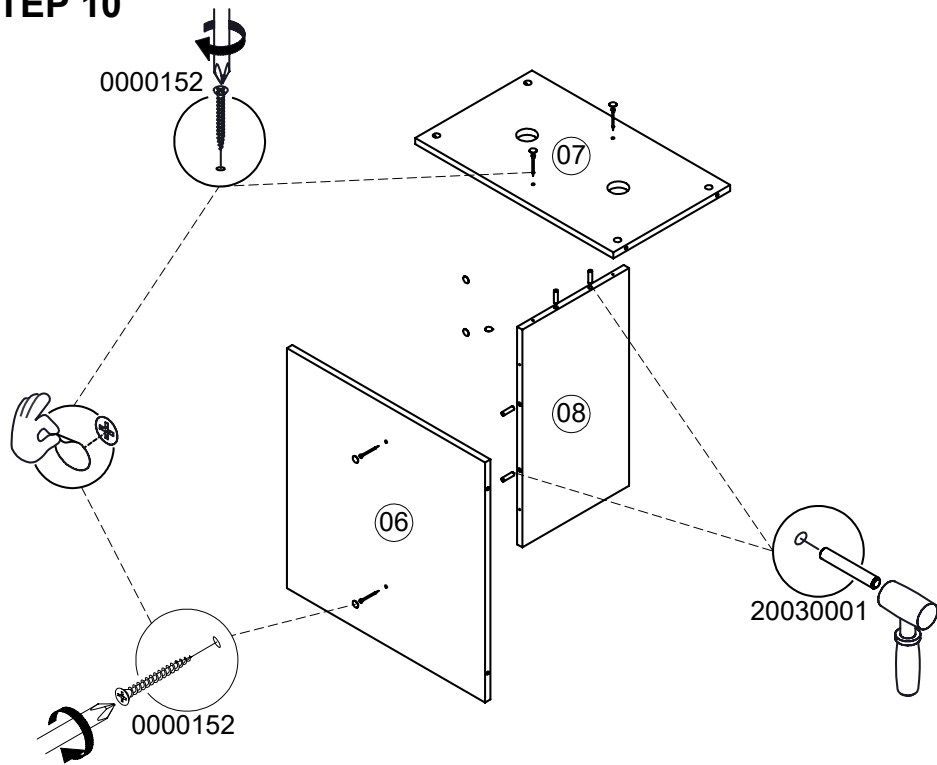
STEP 9



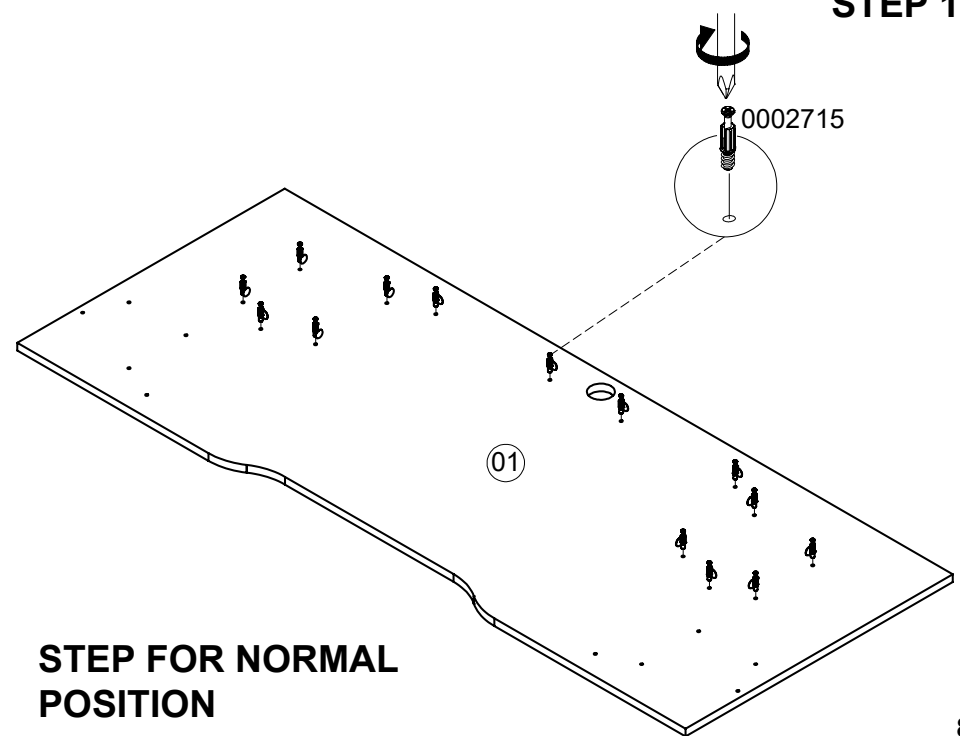
STEP 11



STEP 10



STEP 12

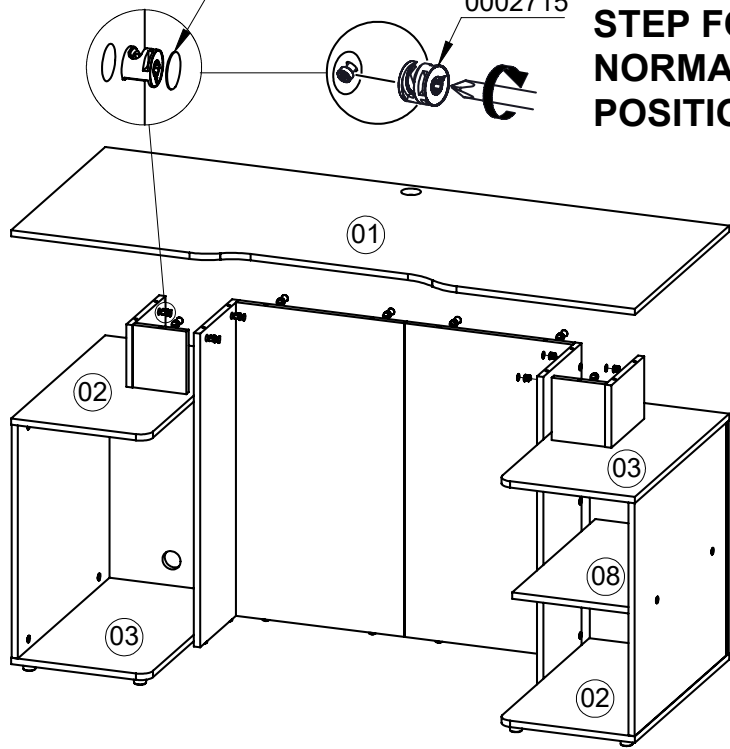


STEP FOR NORMAL POSITION

STEP 13

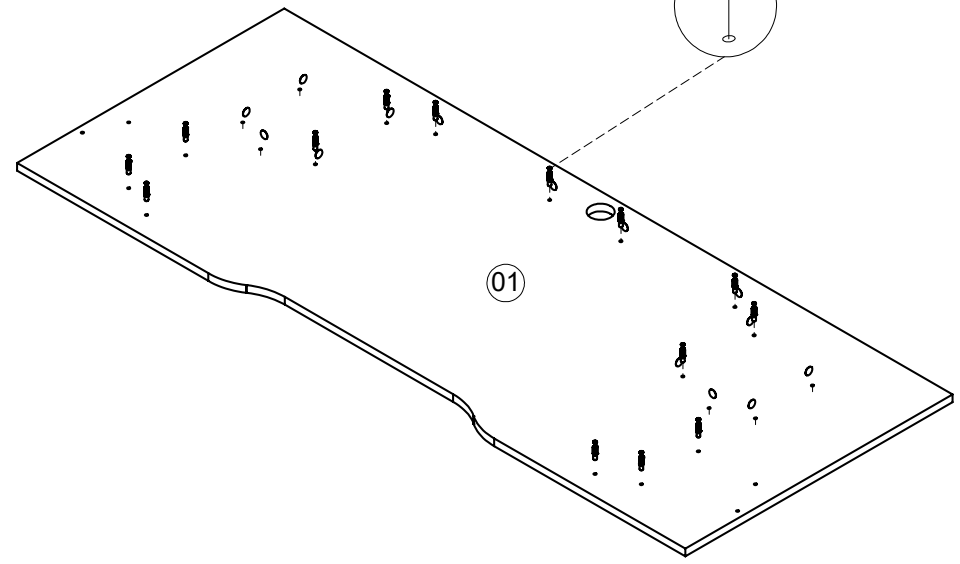
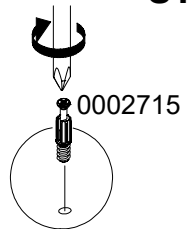
ADHESIVE SCREW COVER
0002715

**STEP FOR
NORMAL
POSITION**

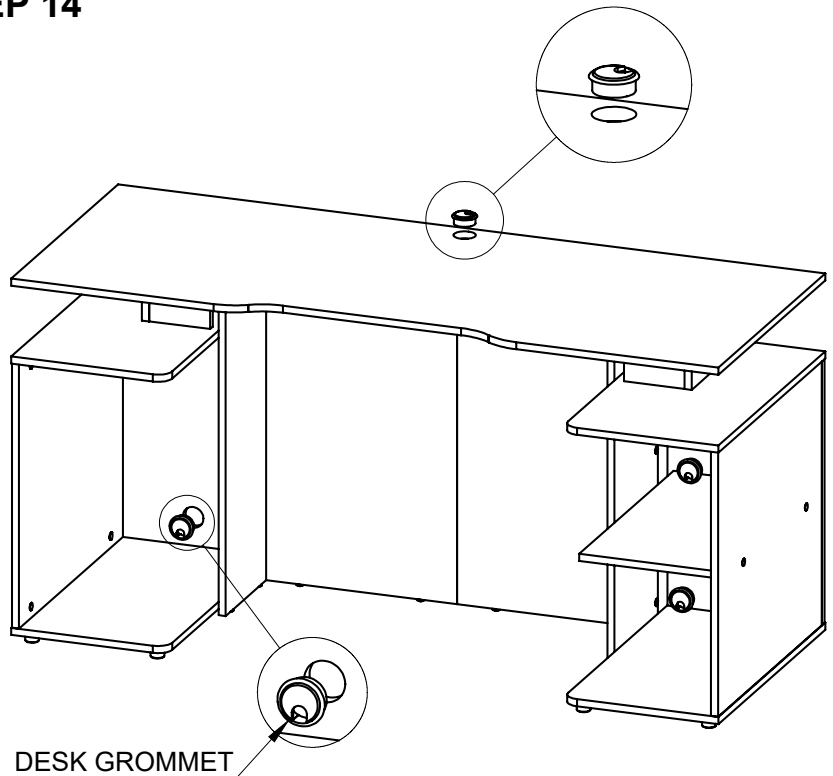


STEP 15

**step to
receded position**



STEP 14

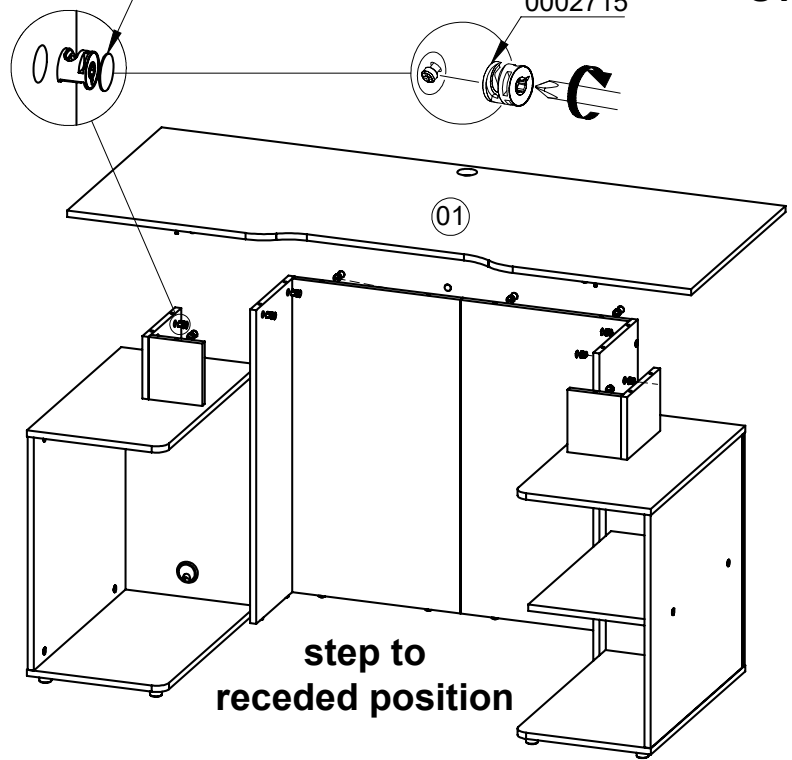


DESK GROMMET

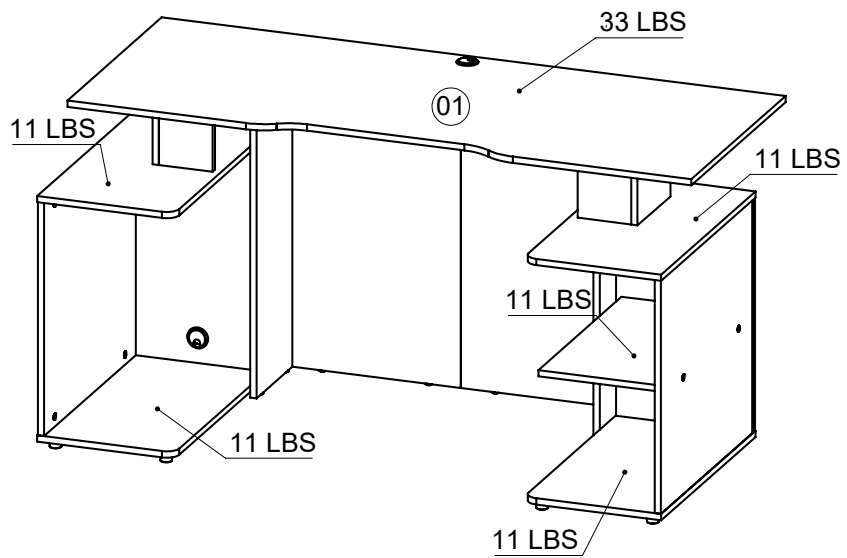
STEP 16

ADHESIVE SCREW COVER
0002715

**step to
receded position**

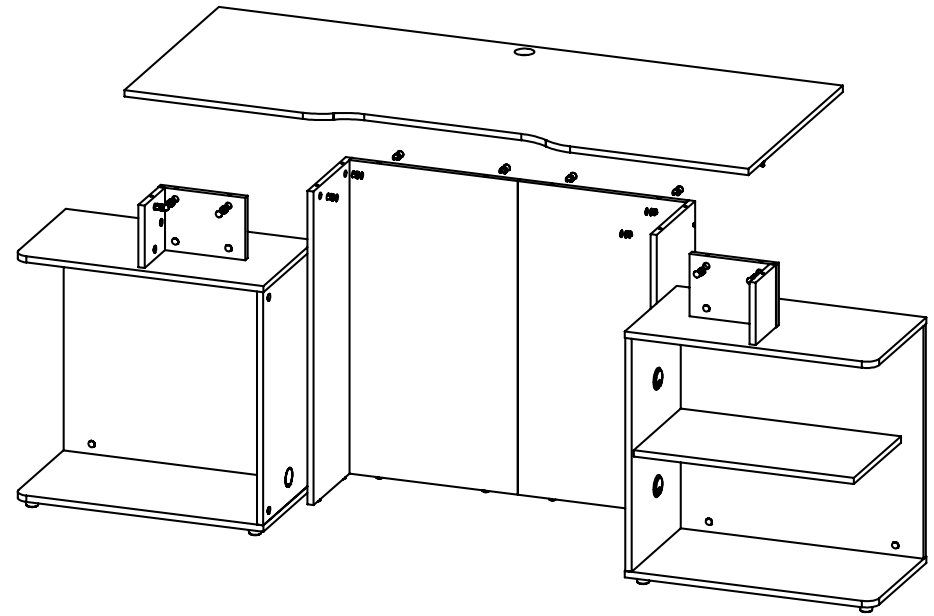


STEP 17

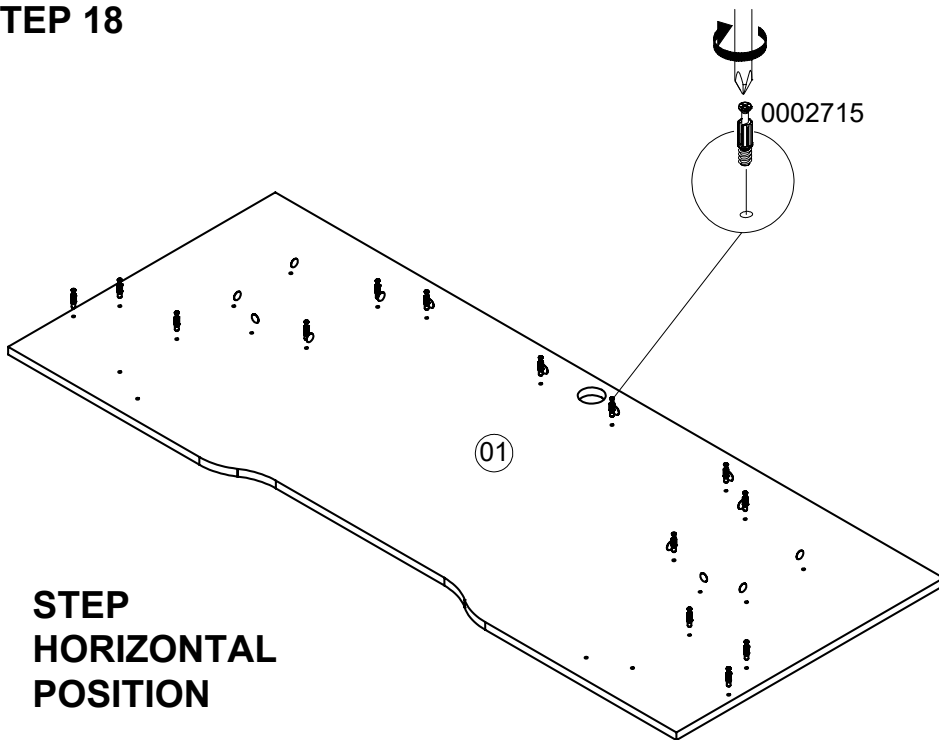


STEP 19

HORIZONTAL POSITION



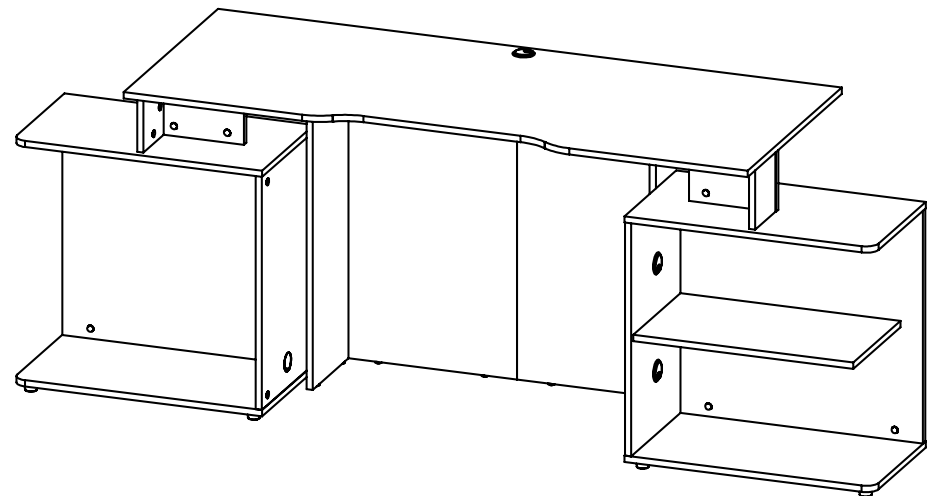
STEP 18



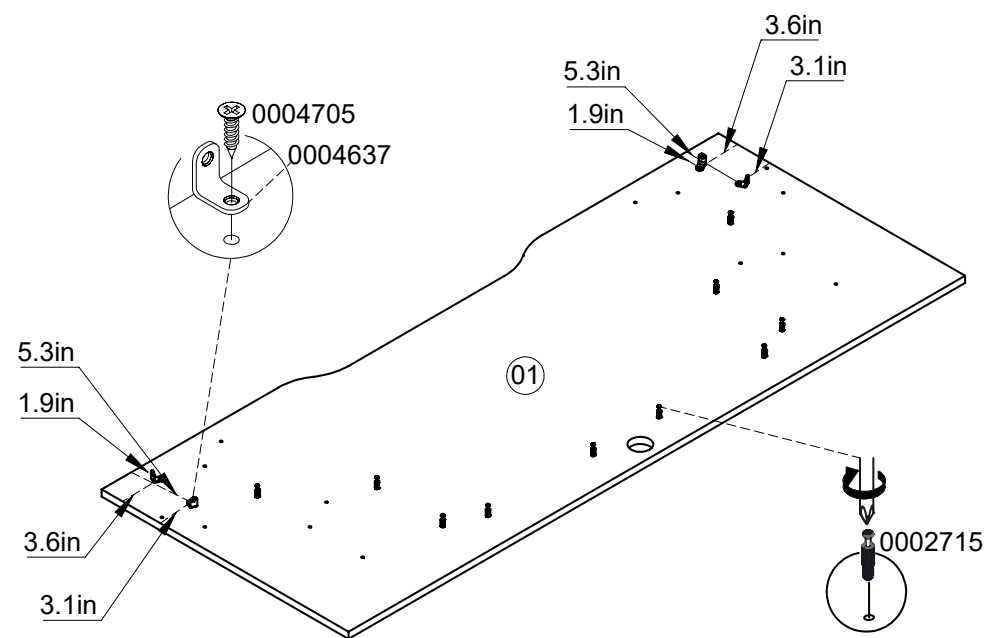
STEP HORIZONTAL POSITION

STEP 20

HORIZONTAL POSITION



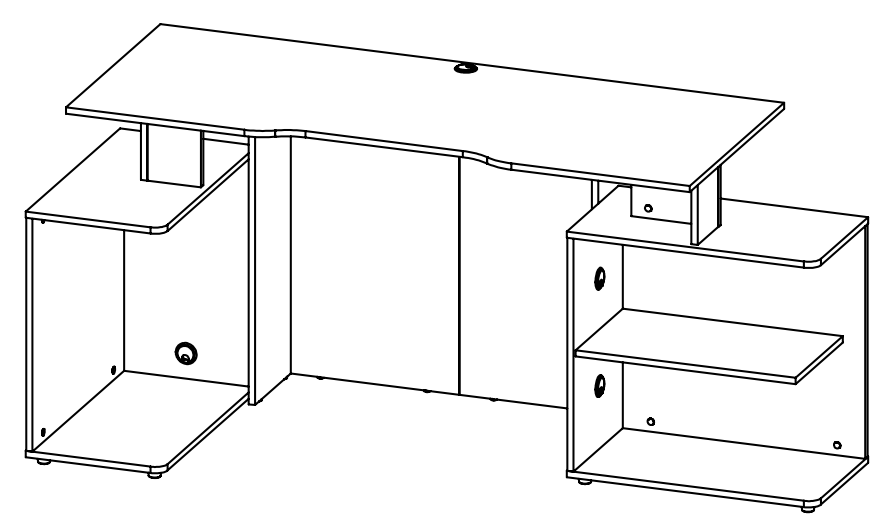
STEP 21



The measures assigned in this step are for the installation of corners diagonally

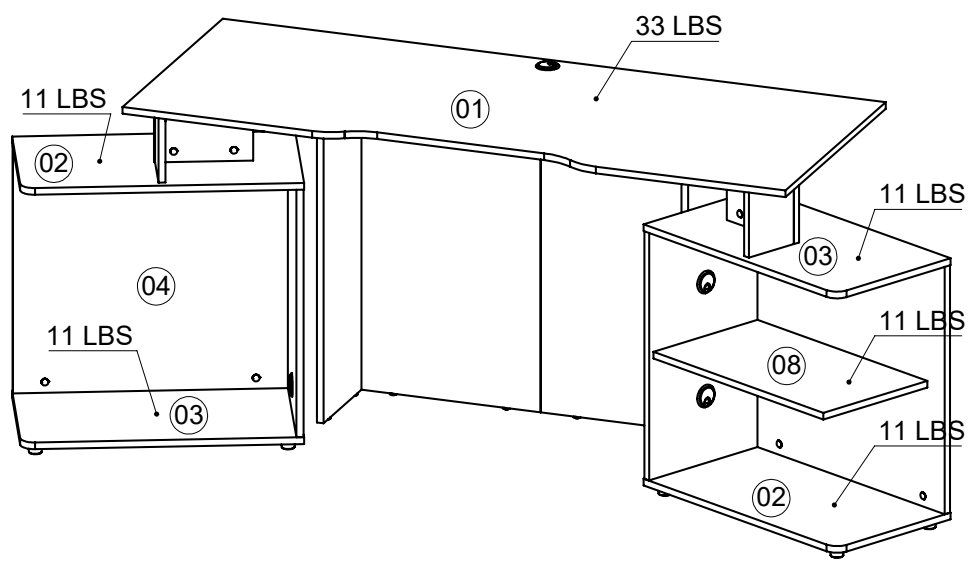
STEP 23

MIXED POSITION

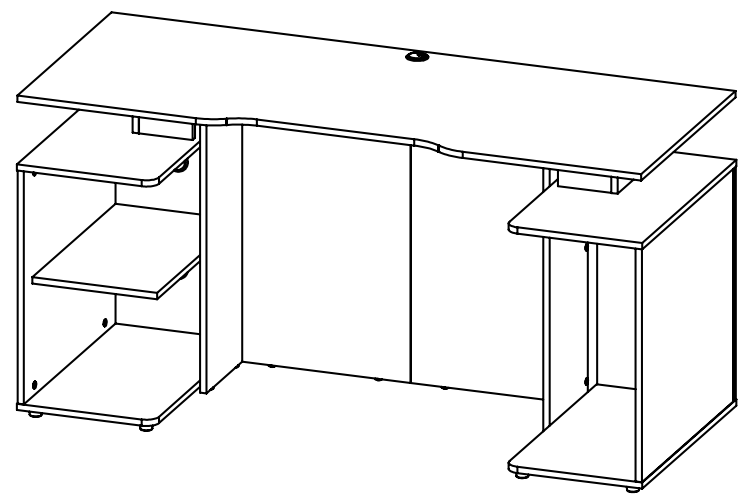


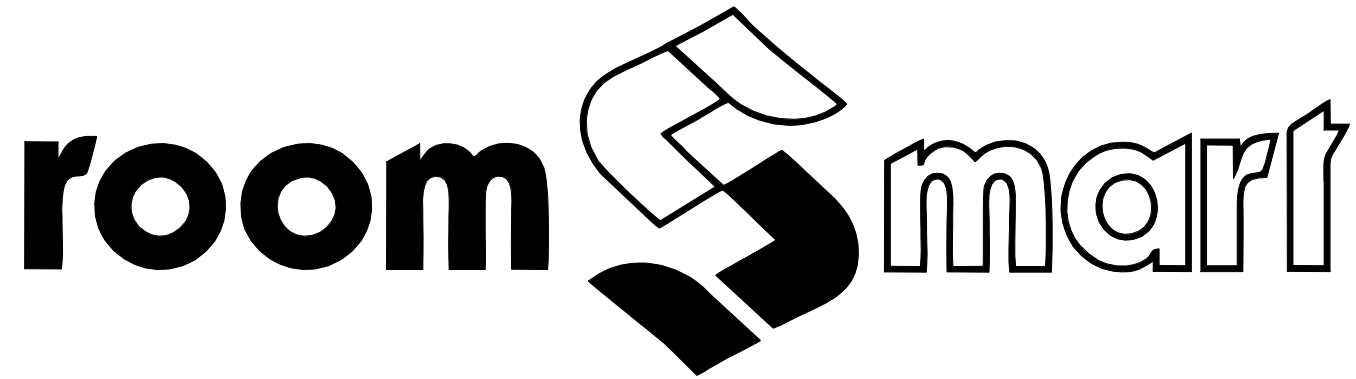
STEP 22

DIAGONAL POSITION



STEP 24





THANK YOU
ASSEMBLY MANUAL
DOWNLOAD FROM:
ROOMSMART.COM
FURNITURE4LESS.STORE