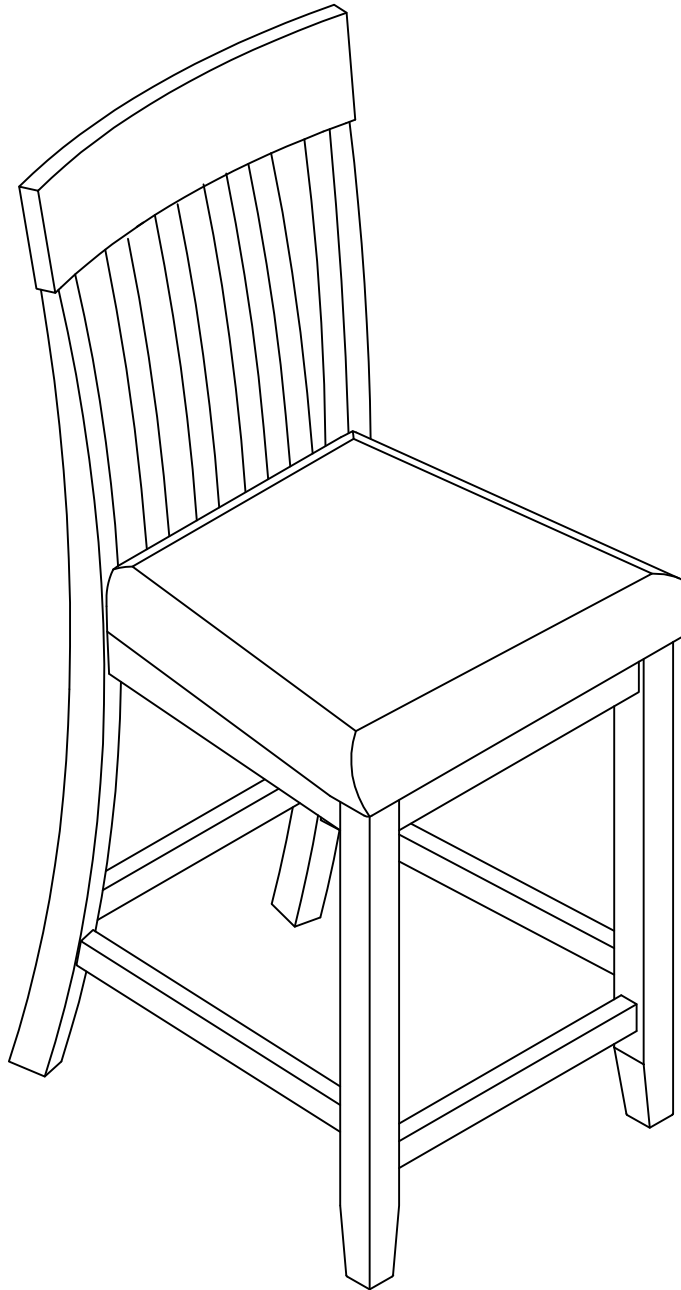


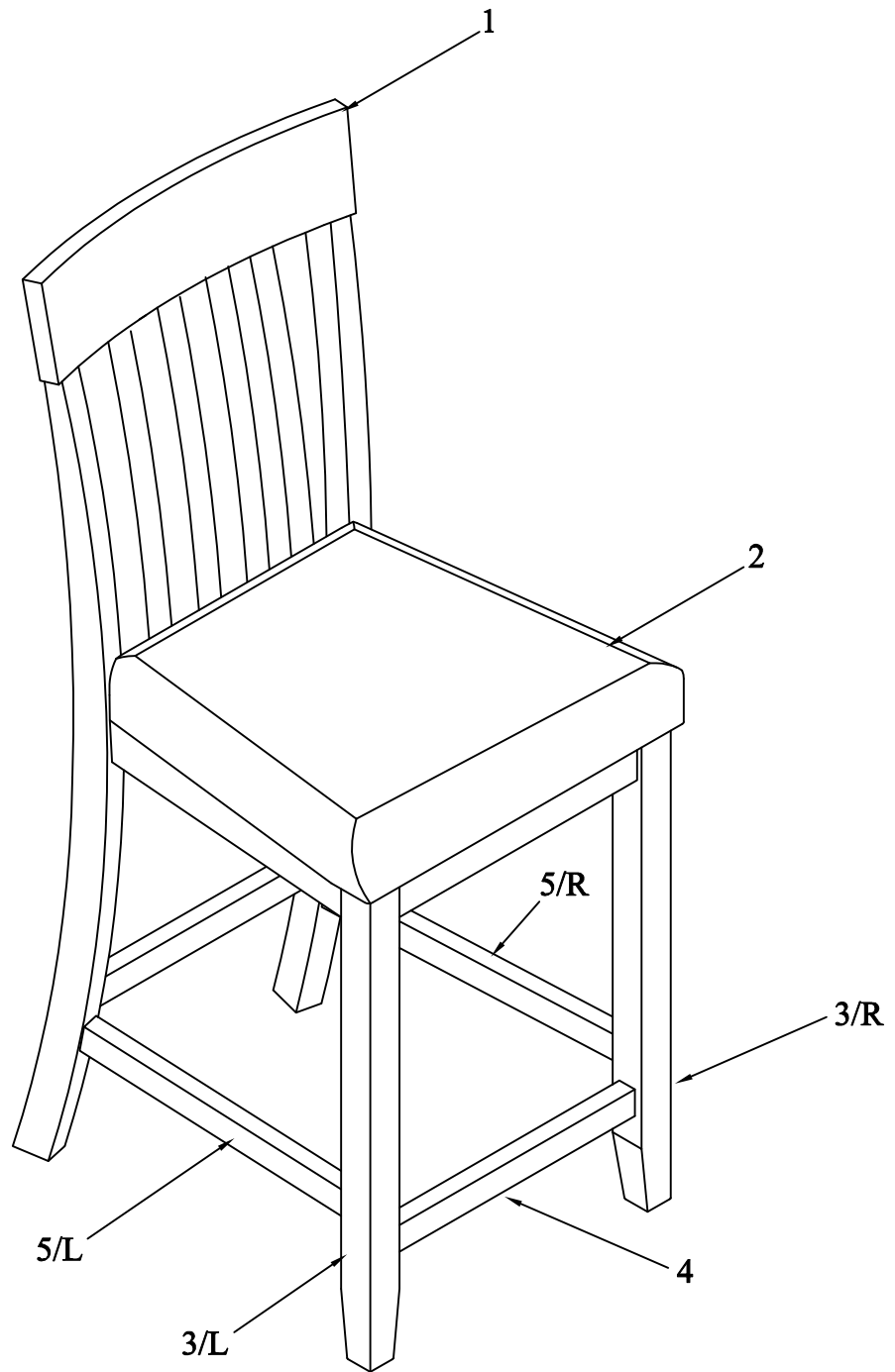
# ASSEMBLY INSTRUCTIONS



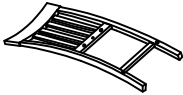
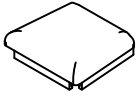
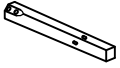

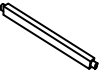
## ASSEMBLY TIPS:

1. Remove hardware from box and sort by size.
2. Please check to see that all hardware and parts are present prior to start of assembly.
3. Please follow attached instructions in the same sequence as numbered to assure fast & easy assembly.








# Exploded View



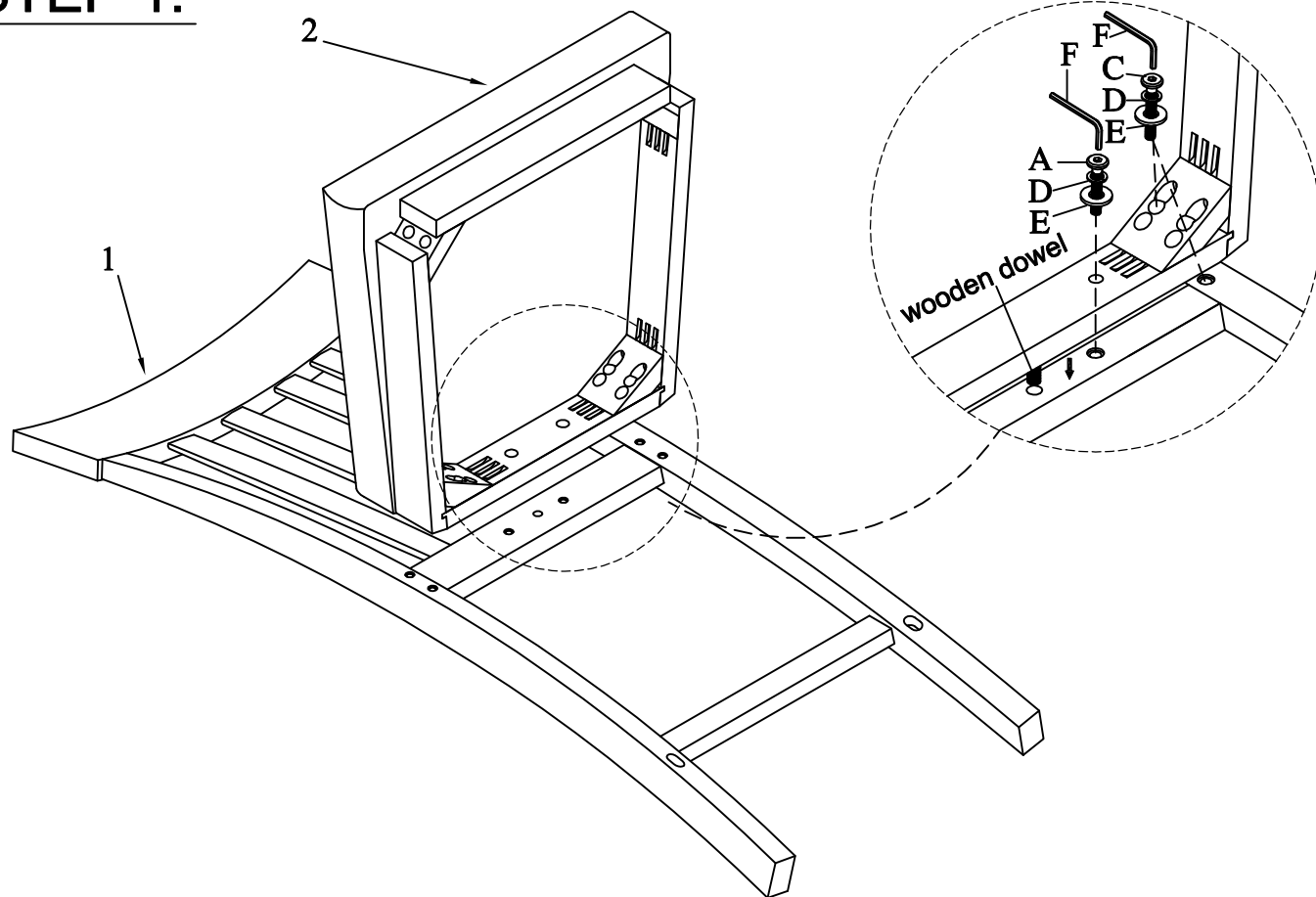
## PARTS LIST

| NO. | DIAGRAM   | PART NAME                     | Q'Ty |
|-----|---|-------------------------------|------|
| 1   |  | CHAIR BACK                    | 1PC  |
| 2   |  | SEAT FRAME WITH CUSHION       | 1PC  |
| 3   |  | LEG (LEFT /RIGHT)             | 2PCS |
| 4   |  | FRONT STRETCHER               | 1PC  |
| 5   |  | SIDE STRETCHERS (LEFT/ RIGHT) | 2PCS |

## HARDWARE LIST

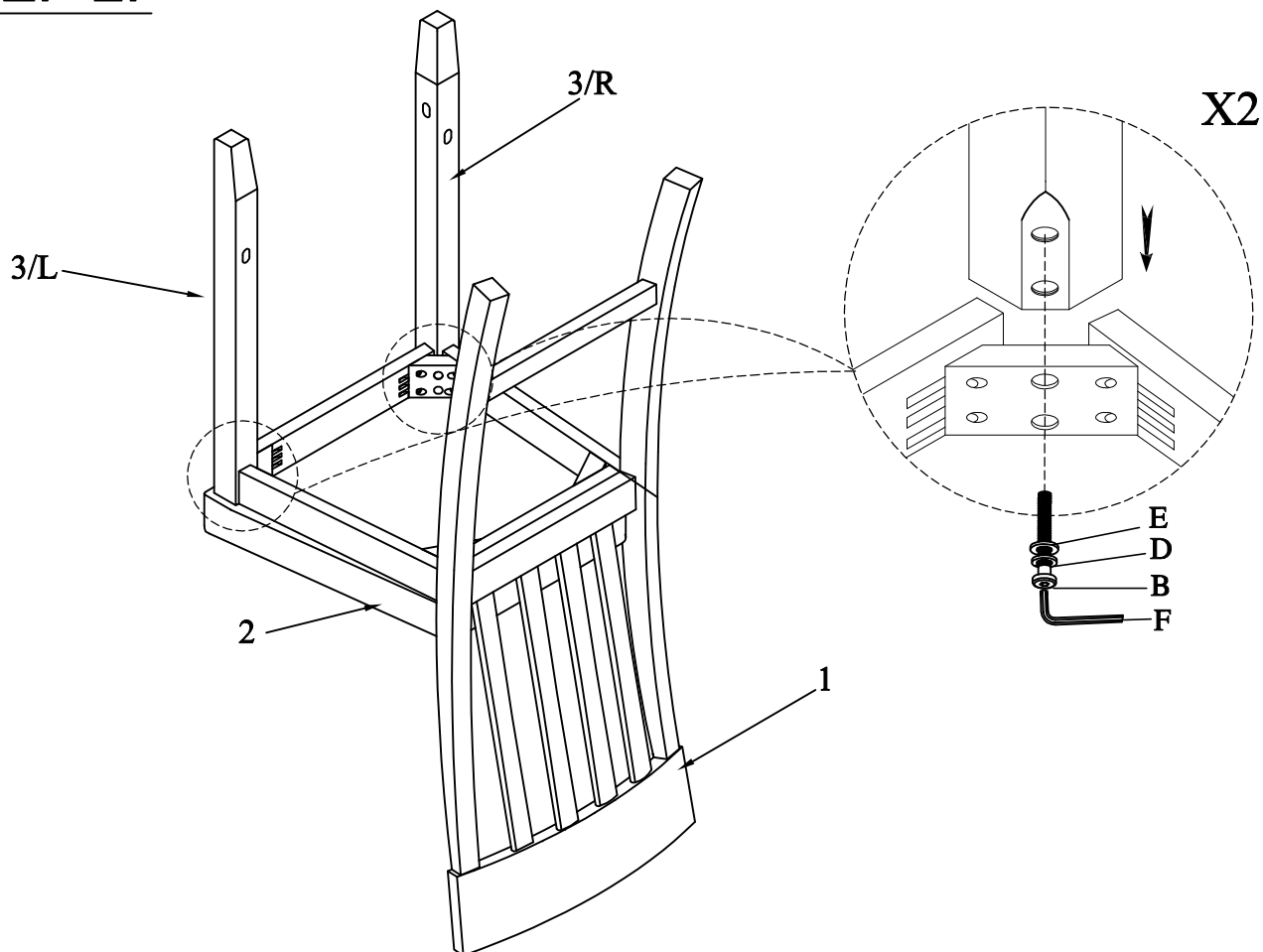
| NO. | DIAGRAM  | PART NAME                       | Q'Ty  |
|-----|--|---------------------------------|-------|
| A   |  | BOLT / BOULON<br>Ø1/4" x 1-1/2" | 2PCS  |
| B   |  | BOLT / BOULON<br>Ø1/4" x 2-3/8" | 4PCS  |
| C   |  | BOLT / BOULON<br>Ø1/4" x 3"     | 4PCS  |
| D   |  | LOCK WASHER<br>Ø1/4"            | 10PCS |
| E   |  | FLAT WASHER<br>Ø1/4"x 3/4"      | 10PCS |
| F   |  | ALLEN KEY<br>1/6" x 2-1/4"      | 1PC   |
| H   |  | SCREW<br>#4x45mm                | 6PCS  |

# STEP 1:

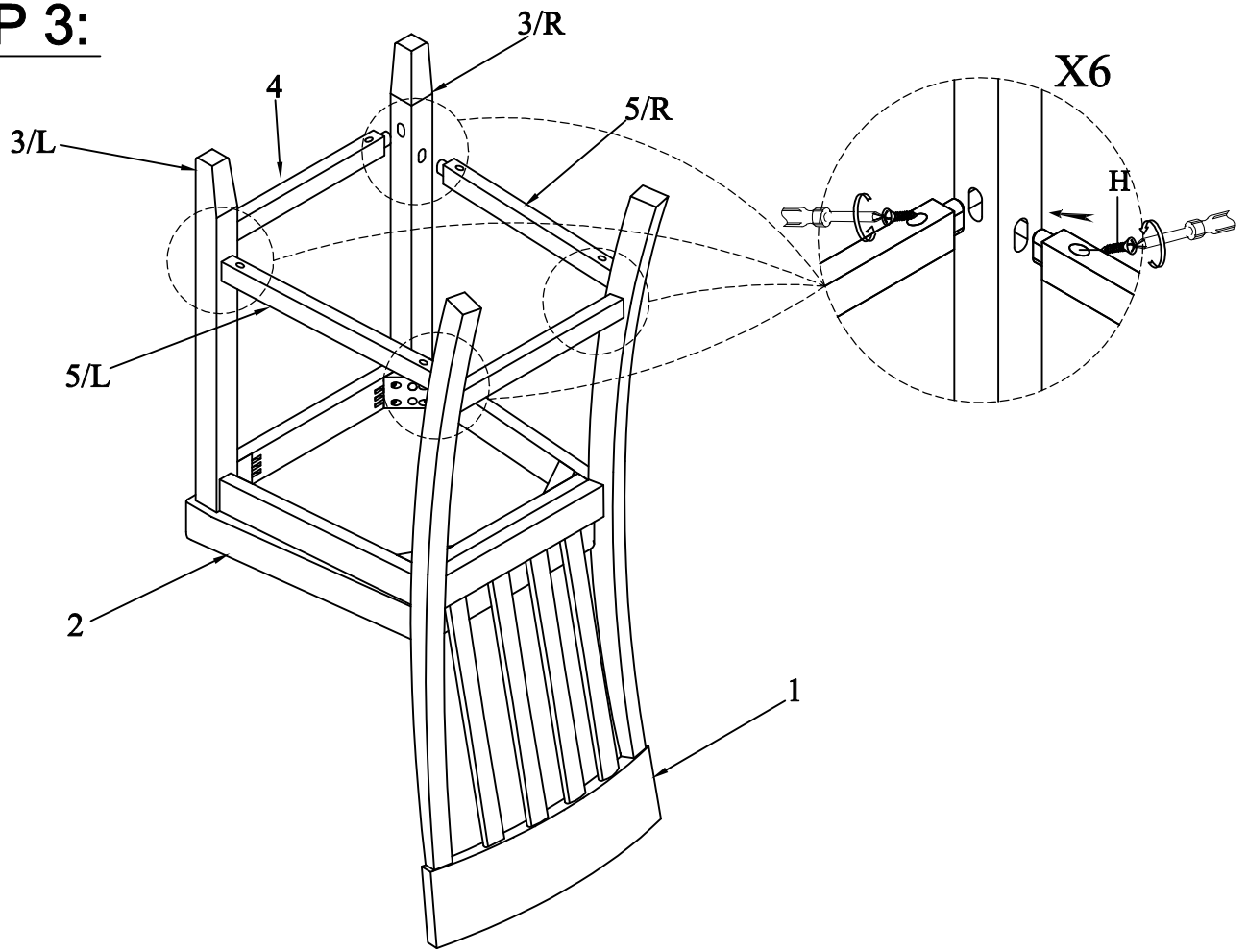


**DO NOT TIGHTEN BOLTS UNTIL COMPLETELY ASSEMBLED.**

# STEP 2:



# STEP 3:



# COMPLETED :

