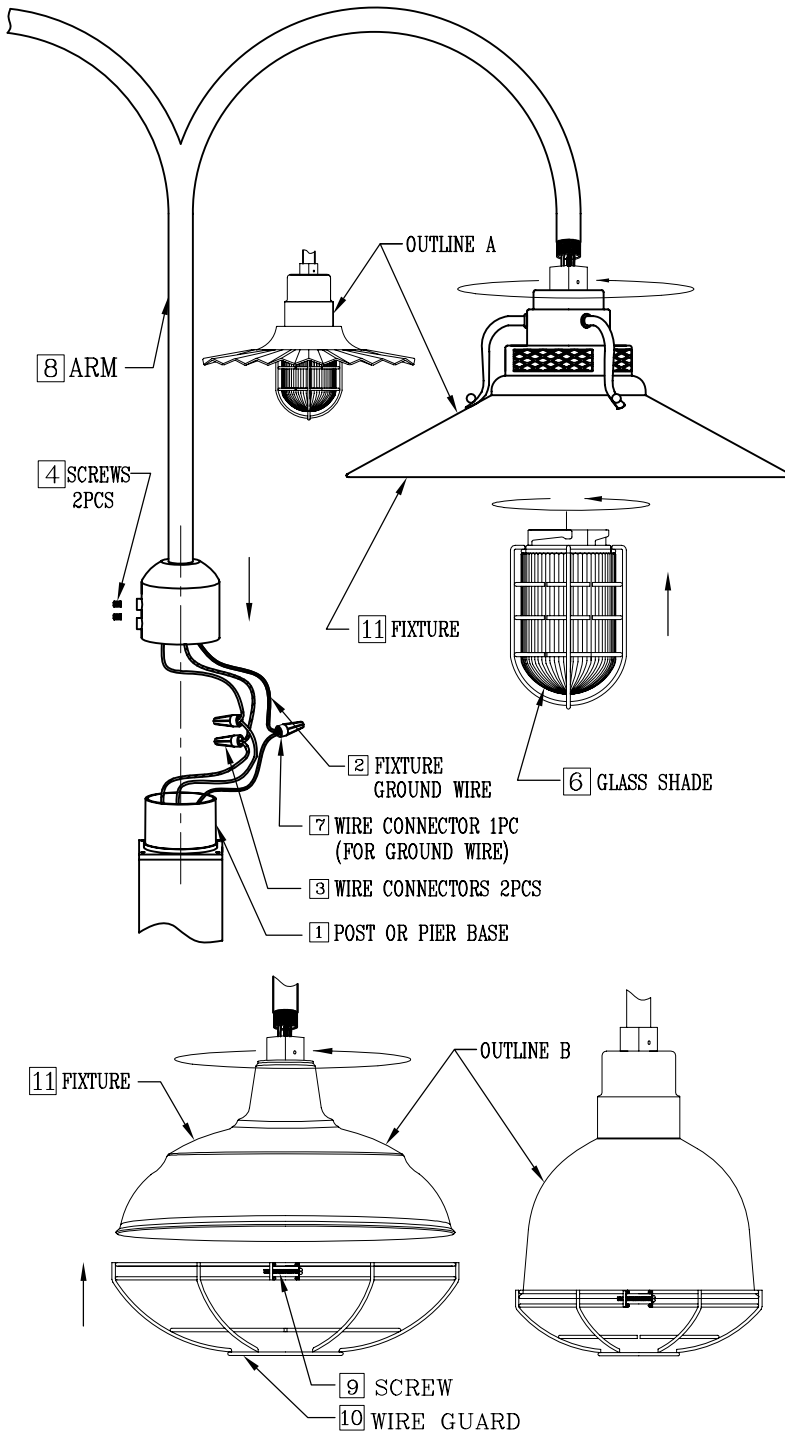


FIGURE



NOTE: THE APPEARANCE OF FIXTURE AND QUANTITY OF SOCKET(S) IS SUBJECT TO THE ACTUAL FIXTURE YOU RECEIVED, WHICH IS DIFFERENT FROM THE FIGURE IN THIS INSTRUCTION SHEET, BUT IN SAME INSTALLING WAY AS ABOVE.

(2) INSTALLING INSTRUCTIONS

FEED FIXTURE WIRES AND GROUND WIRE THROUGH (8 ARM), THREAD (8 ARM) ONTO (11 FIXTURE) TIGHTLY. HEX COUPLING HAS A DRIPPING HOLE WHICH CAN ALLOW THE INFILTRATED WATER COME OUT. WHEN THREADING (8 ARM) ONTO (11 FIXTURE), IT IS OPTIONAL TO USE THE PIPE SEALANT.

(3) INSTALLING WAY:

- 1 EXPOSE THE SUPPLY WIRES FROM (1 POST OR PIER BASE).
- 2 FIXTURE GROUND WIRE:
TWIST (2 FIXTURE GROUND WIRE) AND GROUND WIRE FROM POST OR PIER BASE, FIX THEM WITH (7 WIRE CONNECTOR) (PROVIDED).
- 3 WIRE CONNECTORS 2PCS : CONNECT FIXTURE WIRES AND WIRES FROM (1 POST OR PIER BASE) WITH (3 WIRE CONNECTORS). CAREFULLY TUCK ALL (3 WIRE CONNECTORS) INTO (1 POST OR PIER BASE) AND ENSURE THAT NO WIRE CONNECTORS ARE LOOSE AND NO BARE PARTS OF WIRES ARE EXPOSED. NO LOOSE STRANDS OR LOOSE CONNECTIONS SHOULD BE PRESENT.
- 4 SCREWS 2PCS: SLIDE (8 ARM) OVER (1 POST OR PIER BASE), SECURE (4 SCREWS) ONTO THE THREADING HOLE OF (8 ARM) WITH TOOL, SO AS TO FASTEN (8 ARM) ONTO (1 POST OR PIER BASE).
- 5 TURN ON ELECTRICITY AFTER ASSEMBLING THE BULBS TO TEST IF THE ELECTRICITY CAN WORK NORMALLY. (MAKE SURE THE BULBS CAN WORK)
- 6.1 FIXTURE SHOWN AS OUTLINE A:
GLASS SHADE: TWIST (6 GLASS SHADE) INTO (11 FIXTURE) AT CLOCKWISE DIRECTION TILL IT CAN NOT ROTATE ANY LONGER. MAKE SURE (6 GLASS SHADE) BE FIXED FIRMLY TO AVOID ANY RISK OF FALLING OFF. WHEN TAKING (6 GLASS SHADE) OFF, PLEASE TURN IT AT COUNTERCLOCKWISE DIRECTION. PLEASE BE CAUTIOUS WHEN INSTALLING OR TAKING (6 GLASS SHADE) OFF TO PREVENT (6 GLASS SHADE) BREAKAGE.
- 6.2 FIXTURE SHOWN AS OUTLINE B:
DRAW APART THE CUT OF (10 WIRE GUARD) AT OPPOSITE DIRECTION BY HAND TO MAKE IT LARGE ENOUGH TO LET SHADE ON (11 FIXTURE) SNAP IN, THEN FIX (10 WIRE GUARD) WITH (9 SCREW) TO PREVENT IT FALLING OFF.

READ AND SAVE THIS INSTRUCTION SHEET

ATTENTION

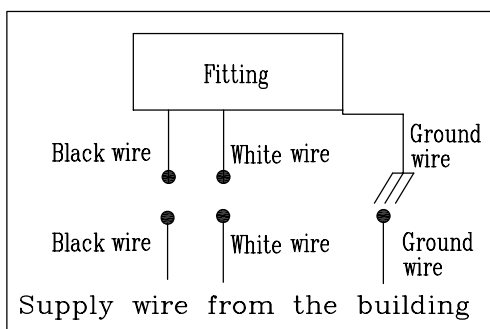
- (1) 1.1 To ensure the success of the installation, be sure to read these instructions and review the diagrams thoroughly before beginning.
- 1.2 All electrical connections must be in accordance with local codes, ordinances, or the National Electrical Code. If you are unfamiliar with the methods of installing electrical wiring, secure the services of a qualified licensed electrician.
- 1.3 The building structure must directly support the pier mount adapter or post base.
- 1.4 This fixture is intended to be mounted to a pier mount adapter or post pole of Dia.3”.
- 1.5 Do not operate the lighting fixture close to any combustible material.
- 1.6 Ensure that the fitting is cool and switched off before changing the bulb.
- 1.7 Do not use bulbs exceeding maximum wattage as marked on lighting fixture.
- 1.8 After installing the luminaries ,use waterproof glue (ex.GE-108)for caulking compound.
 - 1.8.1 Caulk completely around where back of backplate meets the wall surface to prevent water from seeping into outlet box.
 - 1.8.2 Caulk completely around gap between the parts of enclosure to prevent water from seeping into the enclosure.
- 1.9 Do not install on post or pole that results in a vertical rise of 25 feet or higher.

(2) CAUTION BEFORE INSTALLATION

- 2.1 Prepare tools and materials required, e.g.: Ladder, Wrench, Wire cutter, Screw driver, Bulbs and Wiring supplies as required by electrical code.
- 2.2 To avoid electrical shock. Do not attempt to install the fixture in wet or rainy conditions. Always turn off electrical power at the circuit breaker or by disconnecting the fuse.
- 2.3 If you are replacing an existing fixture, disconnect and remove the old fixture.Expose the supply wiring.
- 2.4 No rough or sharp edges are in contact with any of the wire , to ensure the insulation on any of the wires has not been damaged during installation.
- 2.5 The bare or green insulated wire are for grounding, do not connect with current carrying wires.
- 2.6 Firstly connect white (or rough) fixture wire with white supply wire and then connect black (or smooth) fixture wire with black supply wire. after fixture wires are connected with supplier wires, the bare parts of wires need to be completely covered by connector, to prevent from causing short circuit and electric leakage.

The method of wiring and operation refer to circuit diagram 1 and circuit diagram 2:

Circuit diagram 1



Circuit diagram 2

