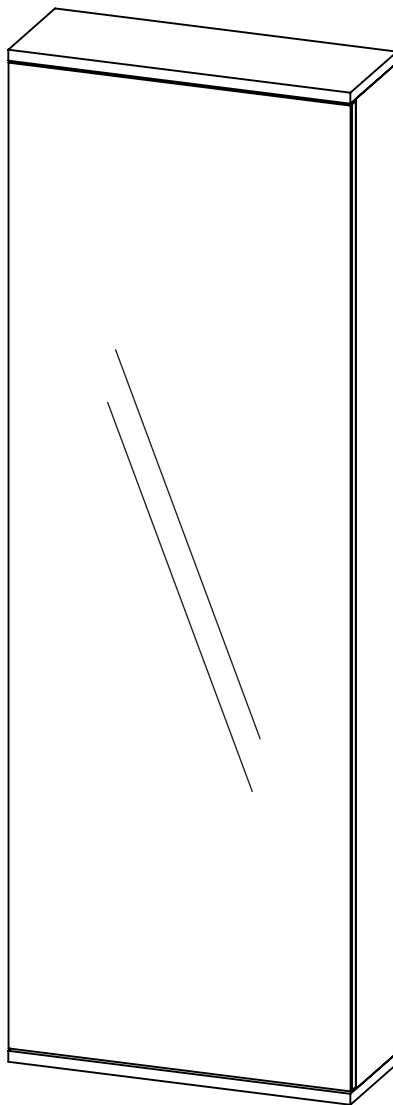


ASSEMBLY INSTRUCTIONS

INSTRUCCIONES DE ENSAMBLE



Height: 54,33 in	Alto: 138 cm
Width: 18,5 in	Ancho: 47 cm
Depth: 8,13 in	Fondo: 20,65 cm



IMPORTANT RECOMMENDATIONS

Do not paint the cabinet.

The cabinet **MUST** be used exclusively indoors, do not expose to direct sun.

Clean metallic hardware with a dry cloth.

Do **NOT** overload the cabinet (see suggested loads).

Do not hit or hammer the cabinet (just when indicated).

Clean with a slightly damp cloth, use gentle soaps.

Do not drag, lift and move between two people.

Avoid direct contact with water, fire or exposure to heat sources.

RECOMENDACIONES IMPORTANTES

No pintar el mueble.

El mueble debe ser usado únicamente en interiores, no exponer al sol directo.

Limpiar los herrajes metálicos con un paño seco.

NO sobrecargar el mueble (ver las cargas sugeridas).

No golpear ni martillar el mueble (solo cuando se indique).

Limpiar con un paño ligeramente húmedo, usar jabones suaves.

No arrastre el mueble, levántelo entre dos personas.

Evite el contacto directo con el agua, el fuego o la exposición a fuentes de calor.



WARNING

Never allow children to climb or manipulate the cabinet, furniture tip over can cause serious injuries or death.



ADVERTENCIA

Nunca permita que los niños escalen o manipulen el mueble, la caída de este puede provocar lesiones graves o la muerte.

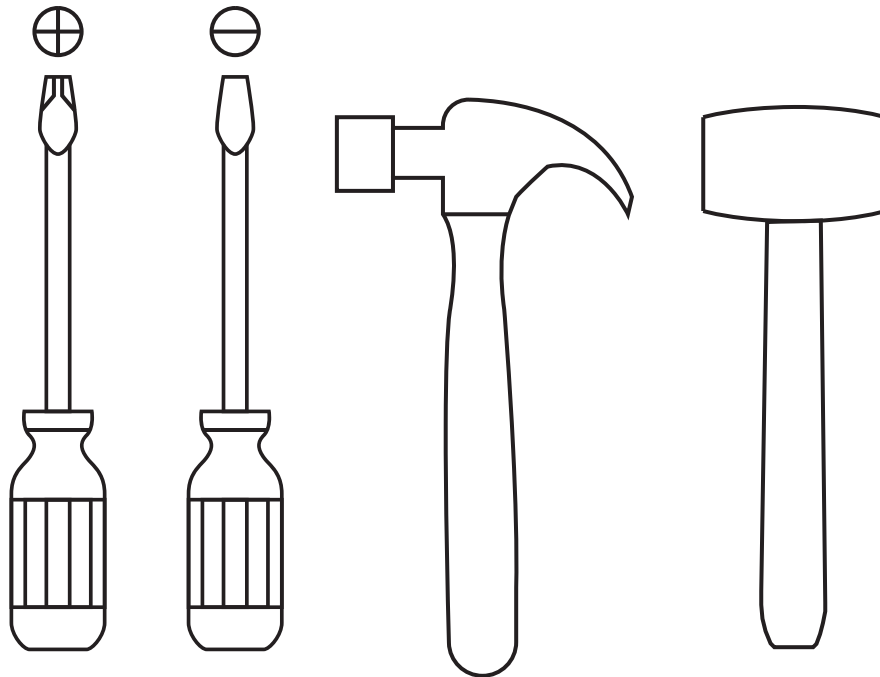
INDEX

ÍNDICE

Assembly Hardware	4	Herrajes para Armado.....	4
Assembly Parts	5	Piezas de Armado.....	5
Suggested Loads.....	6	Cargas Sugeridas.....	6
Assembly Recommendations.....	6	Recomendaciones de Ensamble.....	6
Assembly Steps	7-13	Pasos de Armado.....	7-13
Warranty.....	14	Garantía	14

REQUIRED TOOLS*

HERRAMIENTAS NECESARIAS*



*Not included, and not shown actual size.

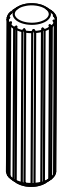
*No incluidas y no se muestran en tamaño real.

ASSEMBLY HARDWARE

Please check that the hardware content is correct. If any item is missing, please call to our customer service line.

HERRAJES PARA ARMADO

Compruebe que el contenido de los herrajes sea el correcto. En caso de que falte alguna pieza, por favor llame a nuestra línea de atención al cliente.



x19

Wood Dowel
Tarugo



x16

Spreading Bolt
Perno Minifix



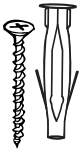
x16

Minifix Cams
Minifix



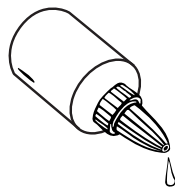
x16

Cover Caps
Tapa Adhesiva
Minifix



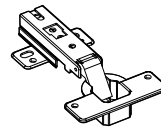
x4

Drywall Screw +
Wall Anchor
Chazo Mariposa
+ Tornillo Ensamble



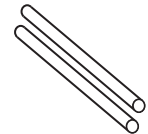
x1

Glue
Pegante



x3

Inset Hinge
Bisagra Parche



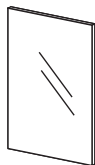
x5

Aluminum tube
Tubo aluminio
5/16"



x18

Flat Head Screw
Tornillo Lámina



x1

Mirror
Espejo Pulido



x12

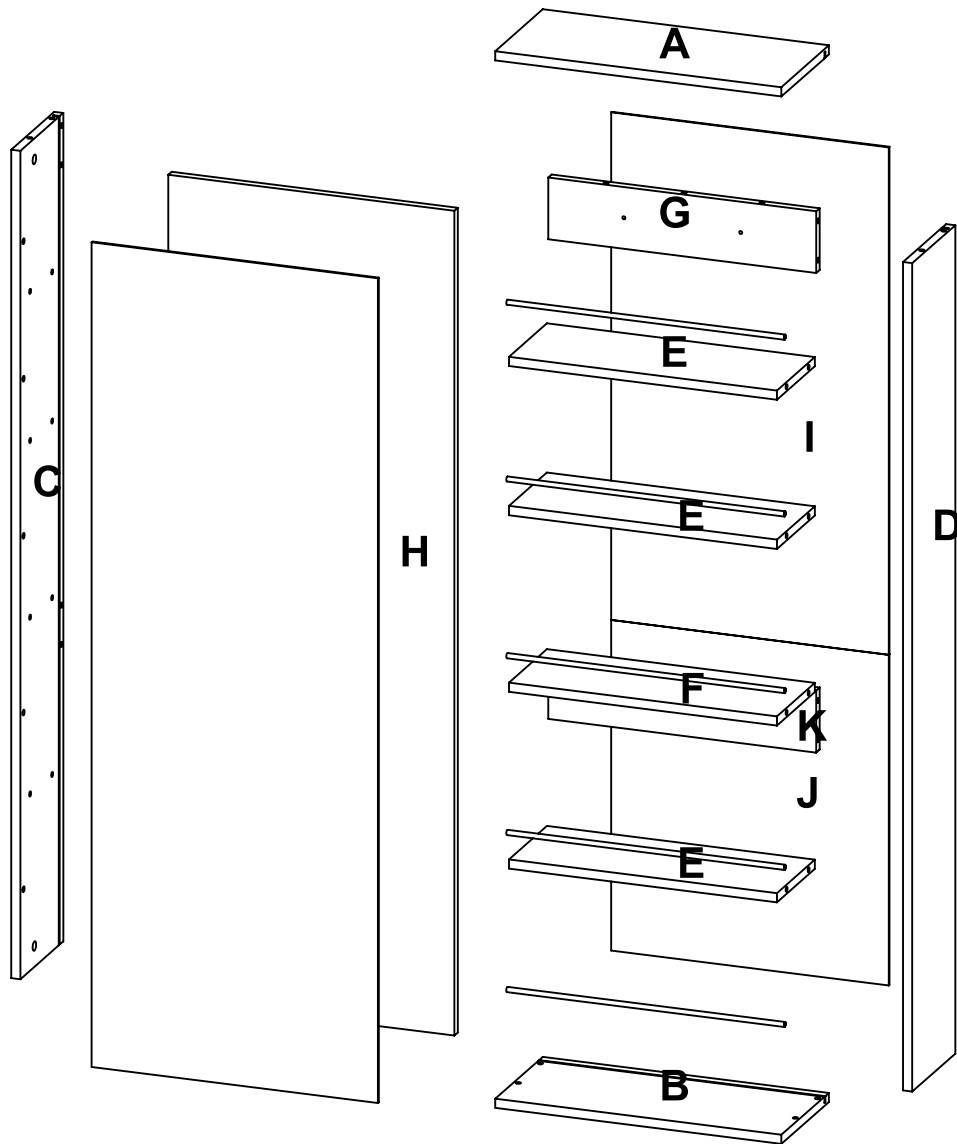
Tape
Cinta doble faz

Hardware items are NOT shown actual size.

Los herrajes no se muestran en el tamaño real.

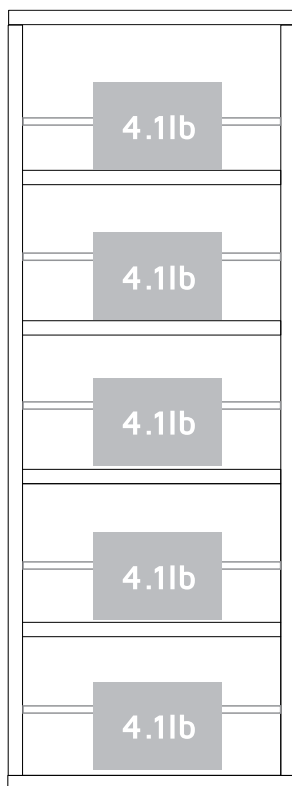
ASSEMBLY PARTS

PIEZAS DE ARMADO

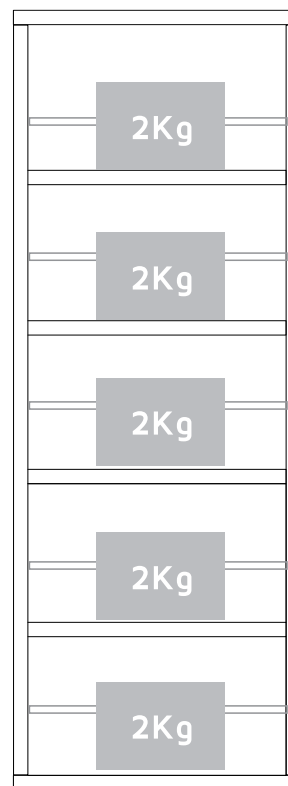


A - x1	F - x1	K - x1
B - x1	G - x1	
C - x1	H - x1	
D - x1	I - x1	
E - x3	J - x1	

MAX SUGGESTED LOADS



CARGAS MÁXIMAS SUGERIDAS



ASSEMBLY RECOMMENDATIONS

Two people are recommended to assemble the product.

Assemble the cabinet on a flat, smooth surface, preferably on a carpeted floor or the carton box of the product.

Carefully read the assembly instructions and identify every wood and hardware part before start assembling the cabinet.

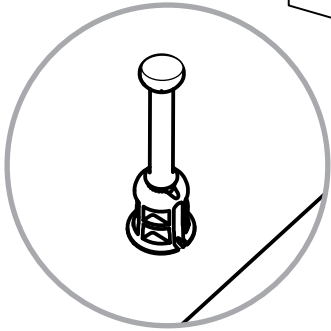
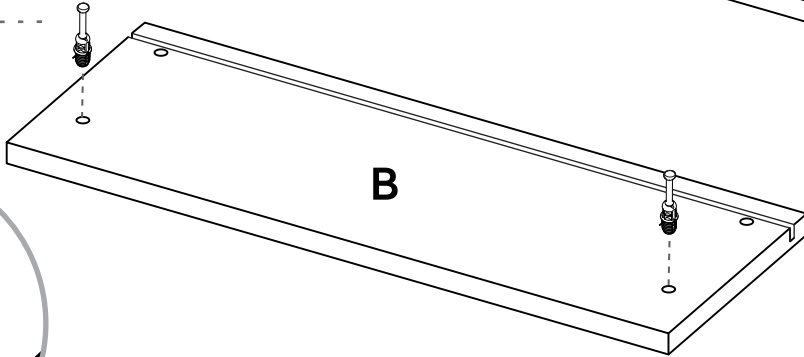
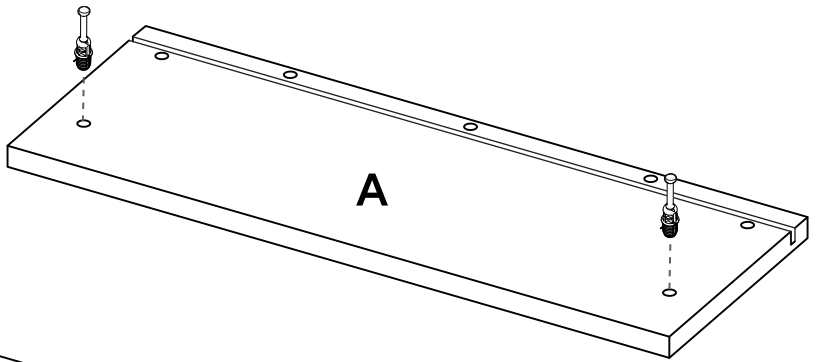
RECOMENDACIONES DE ENSAMBLE

Ensamble el mueble entre dos personas.

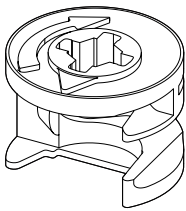
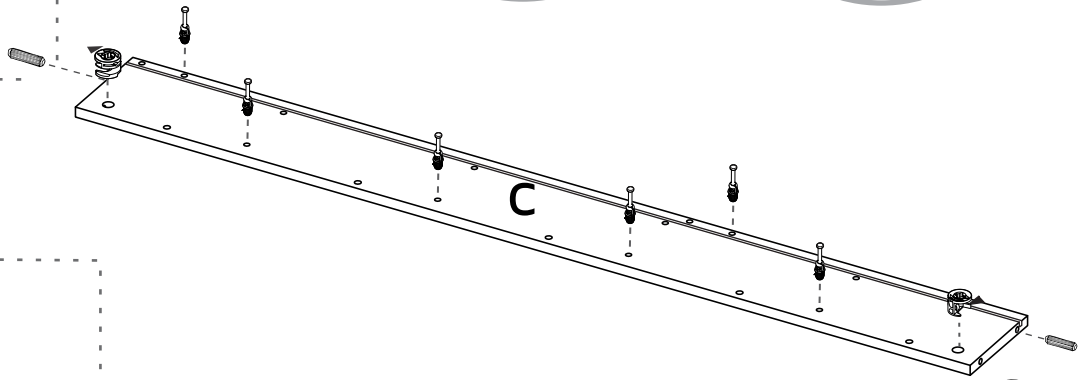
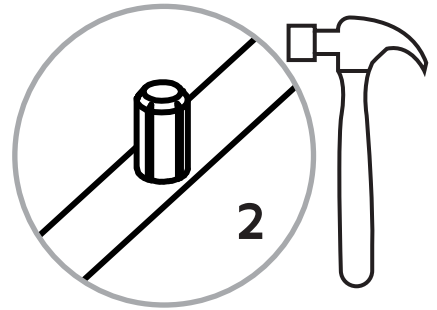
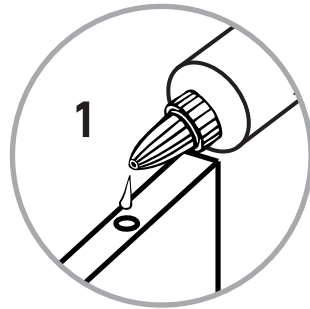
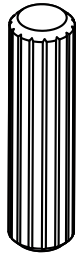
Ensamble el mueble sobre una superficie plana y lisa, preferiblemente sobre un tapete o el cartón de la caja

Lea cuidadosamente las instrucciones e identifique todas las piezas y herrajes antes de empezar a armar el mueble.

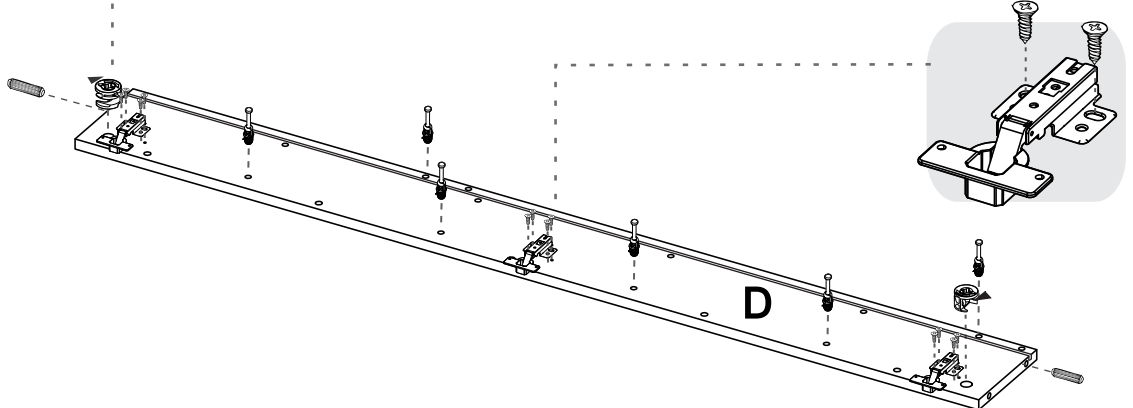
1



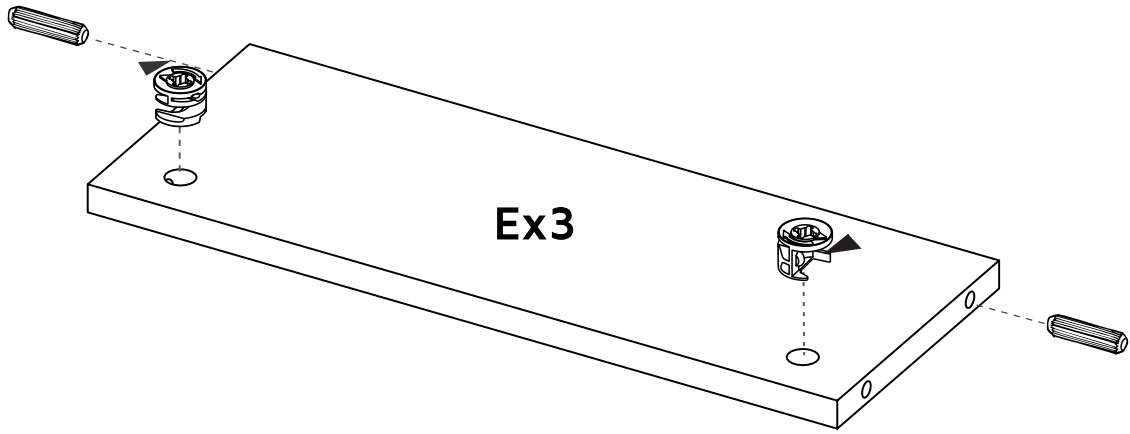
2



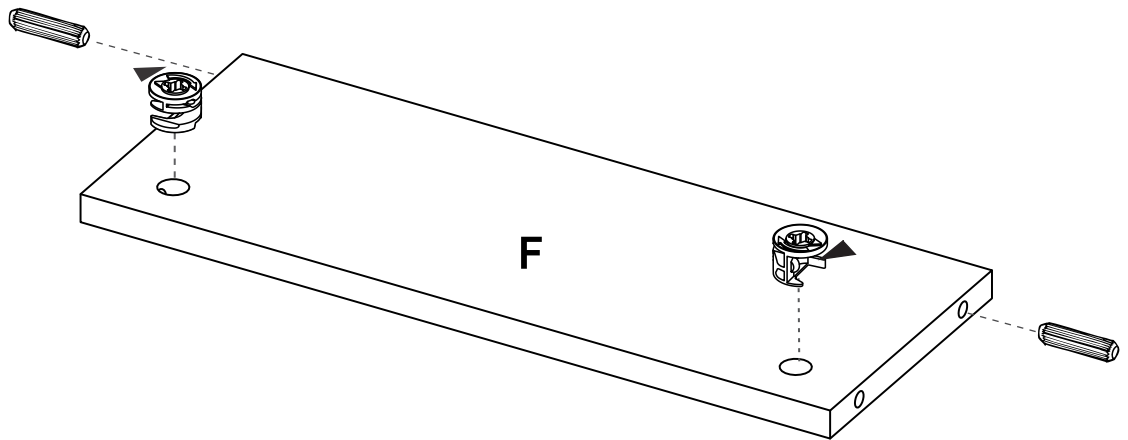
Do NOT tighten the
cams in this step.
NO apriete las cajas
minifix en este paso.



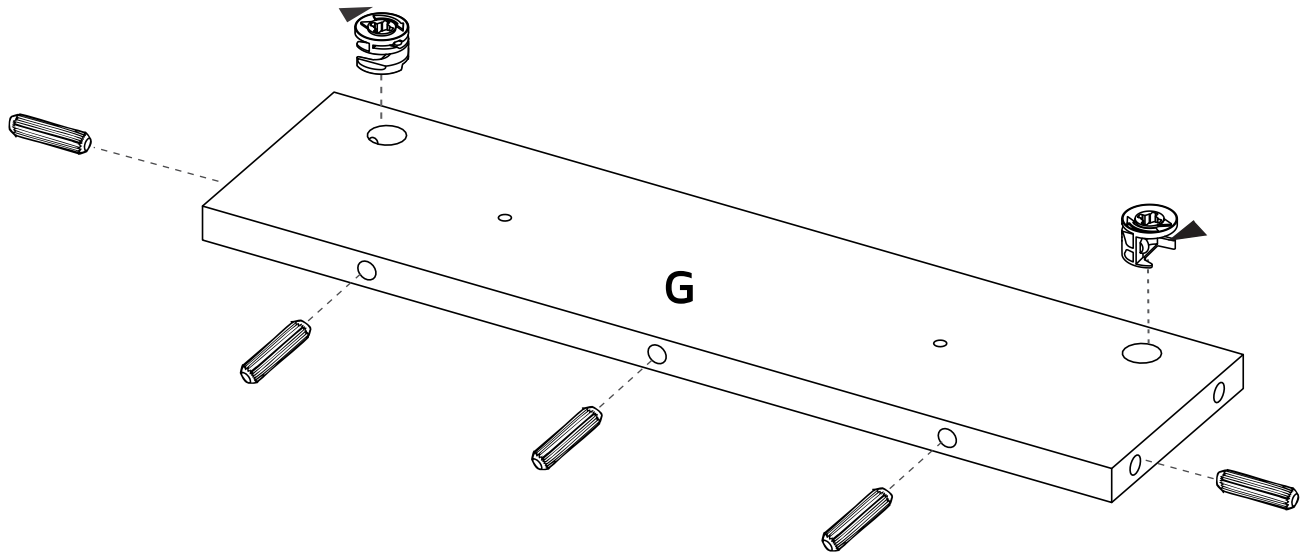
3



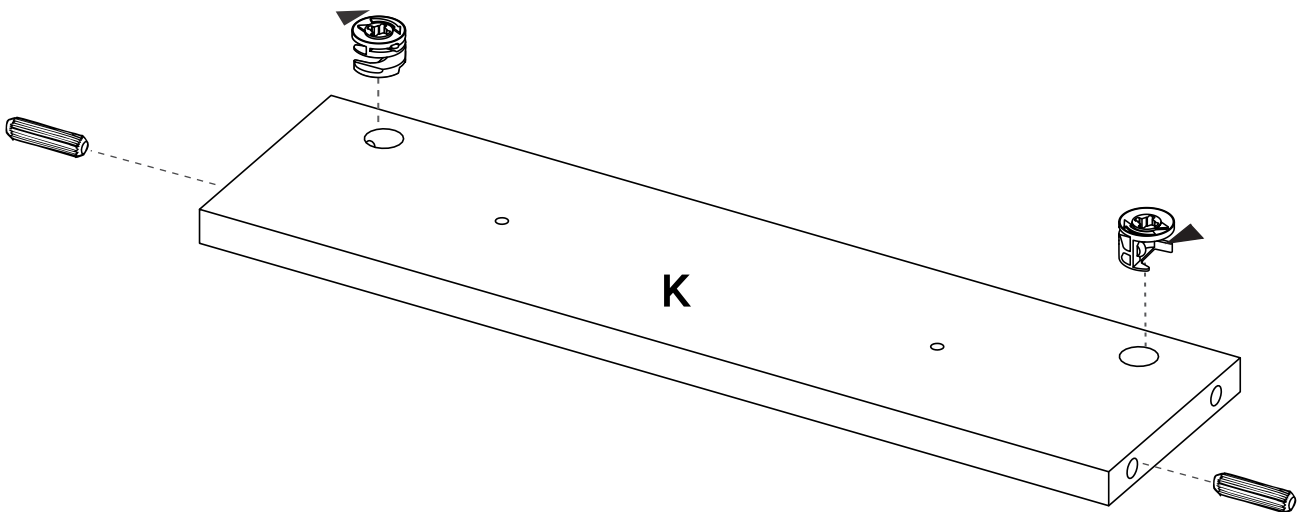
4



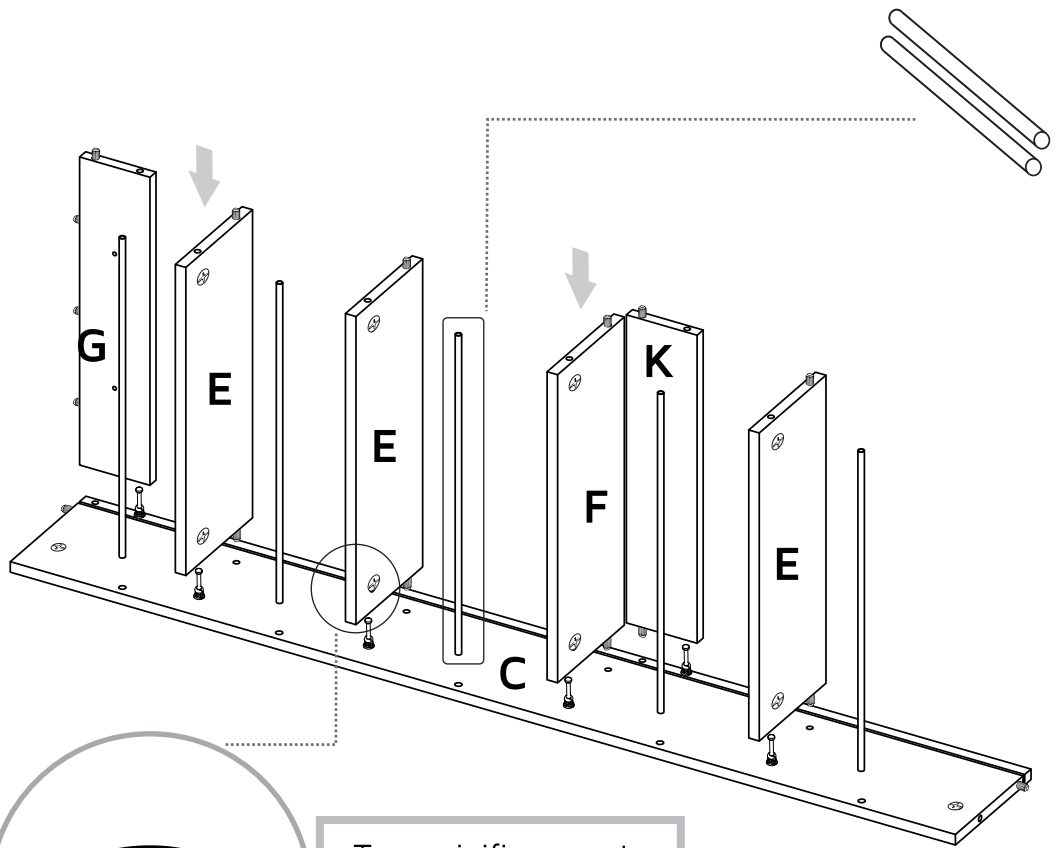
5



6

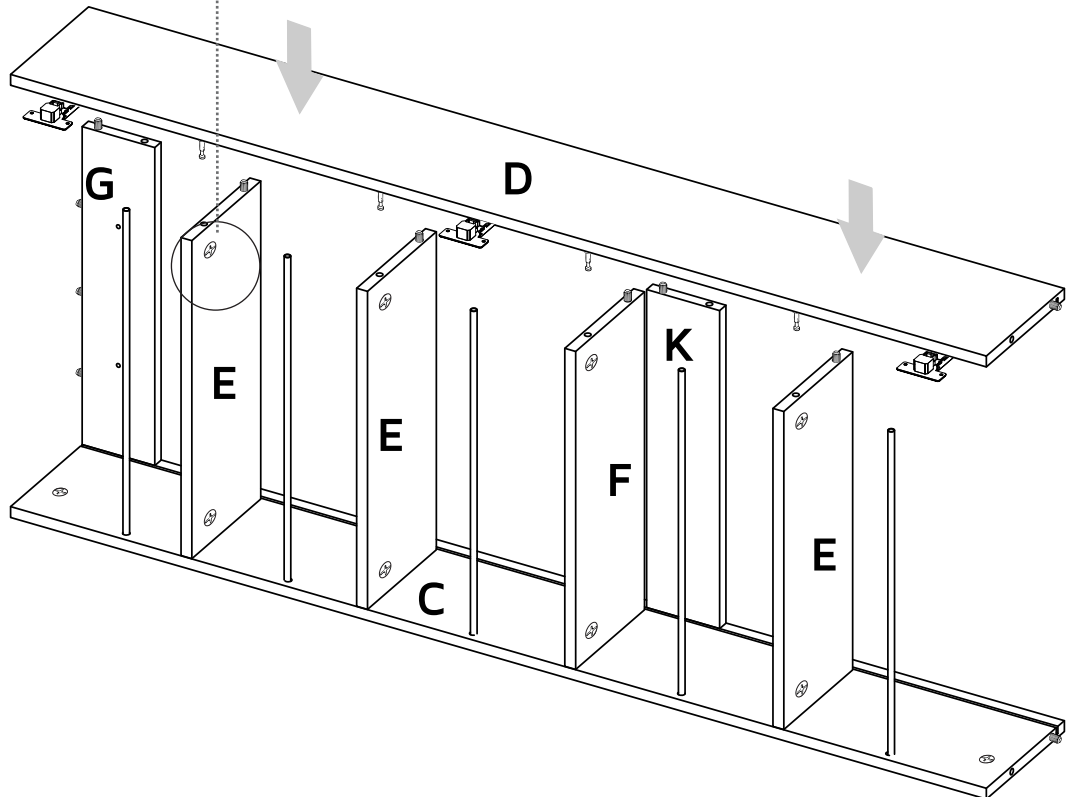
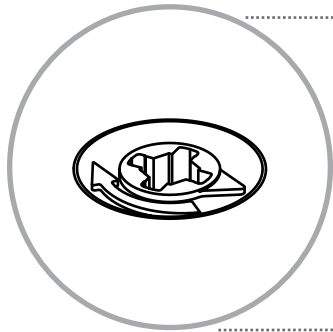
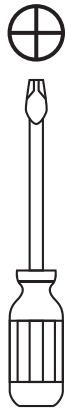


7

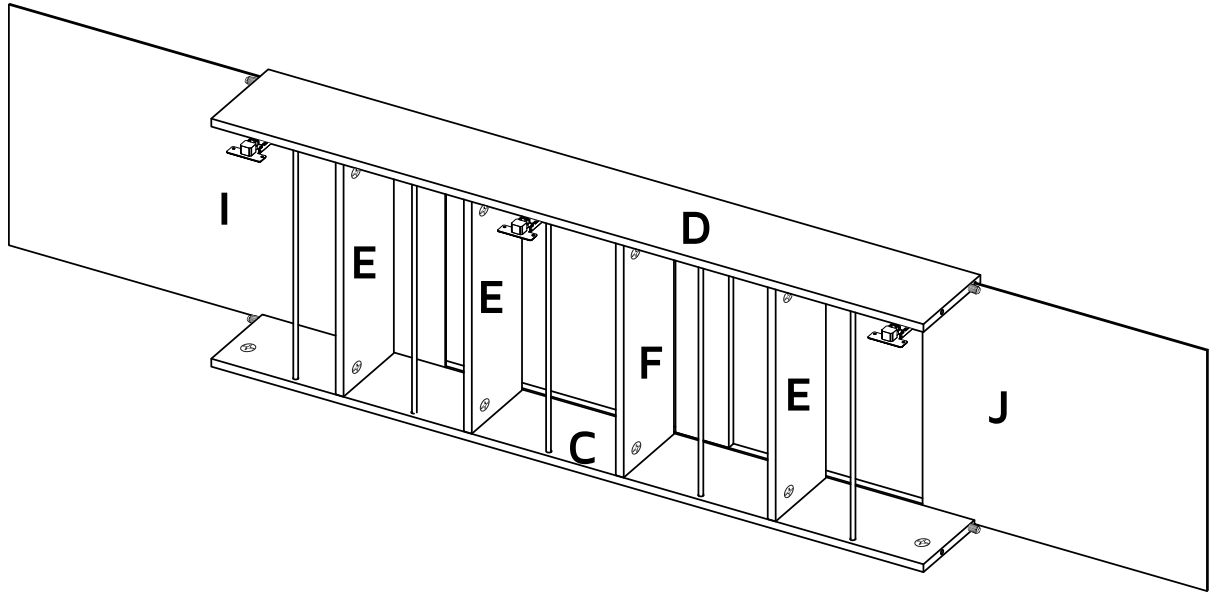


Turn minifix cams to the right to tighten.
Gire las cajas minifix hacia la derecha para apretar las piezas.

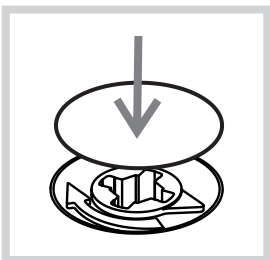
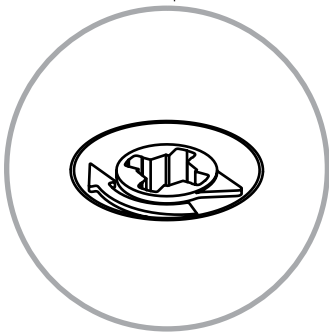
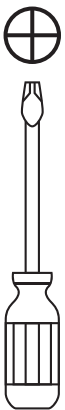
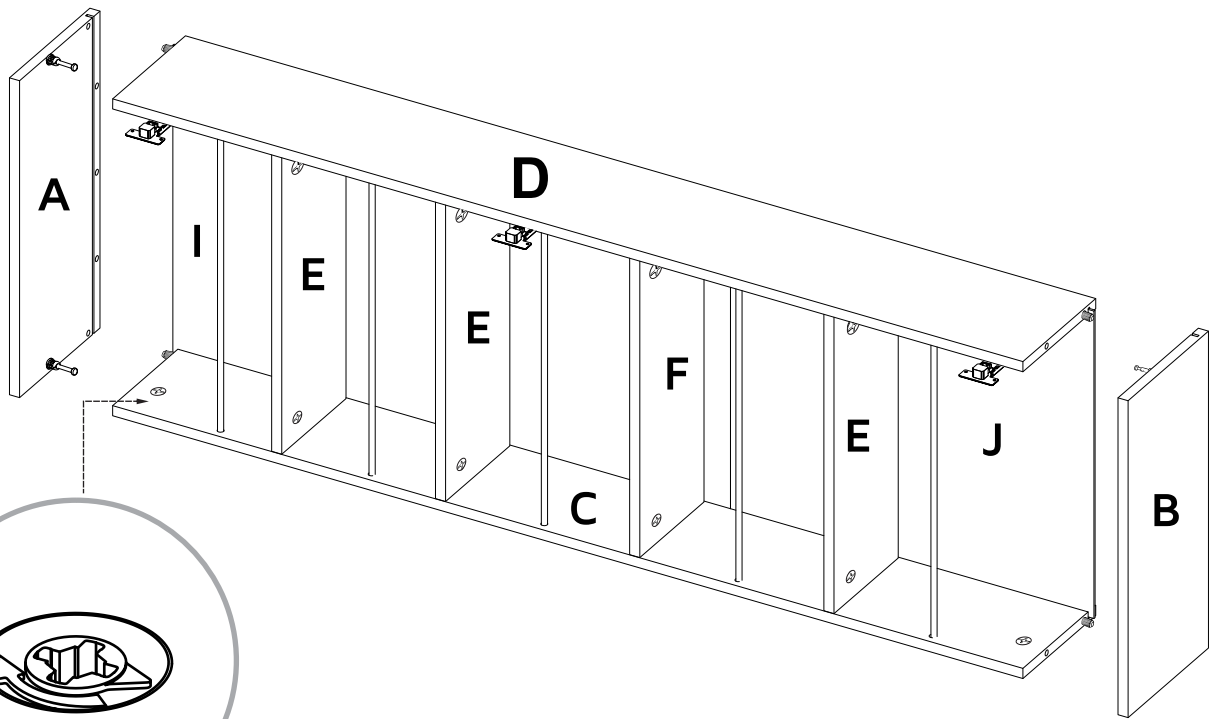
8



9

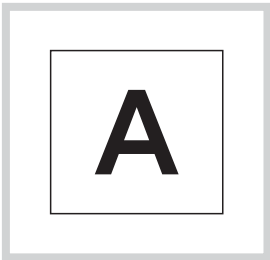


10



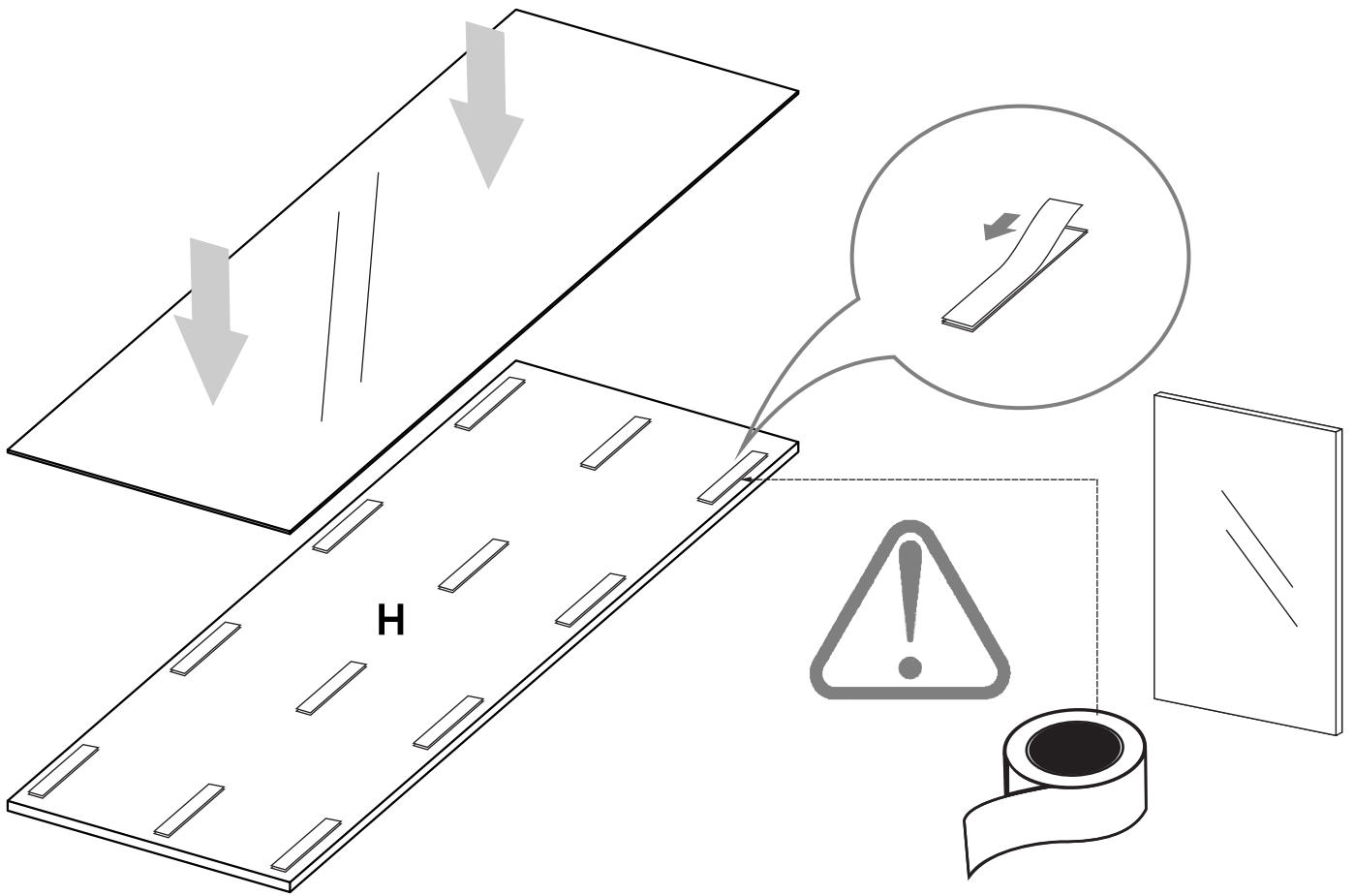
After you finish the adjustment of the cams, cover them with the cover caps.

Después de ajustar todas las cajas minifix, cúbralas con las tapas adhesivas.



After you finish assembling the cabinet, take off the adhesive letters.

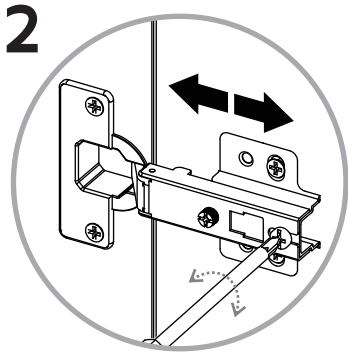
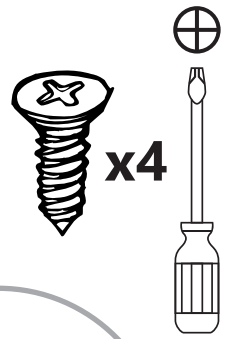
Al terminar de armar, despegue las letras adhesivas.



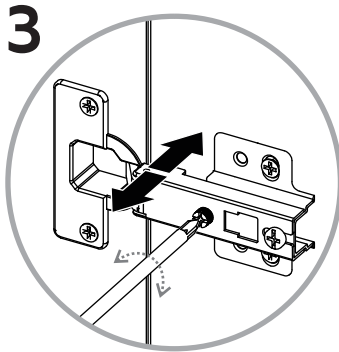
12

Door Installation Instalación de las Puertas

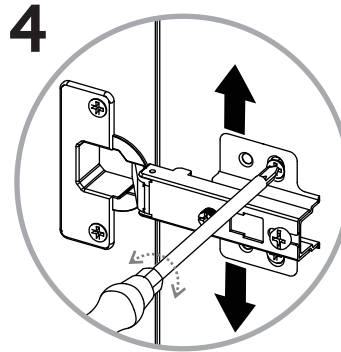
Hinge adjustment
Ajuste de las bisagras



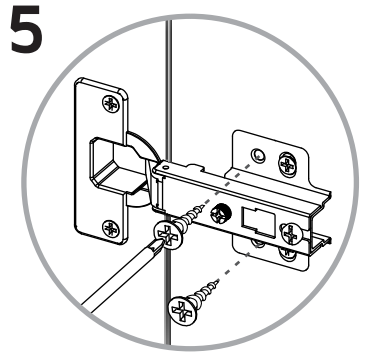
2
Depth adjustment
Ajuste de profundidad



3
Side adjustment
Ajuste lateral



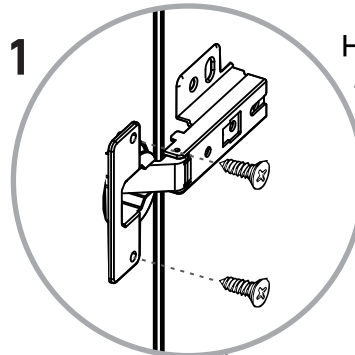
4
Height adjustment
Ajuste de altura



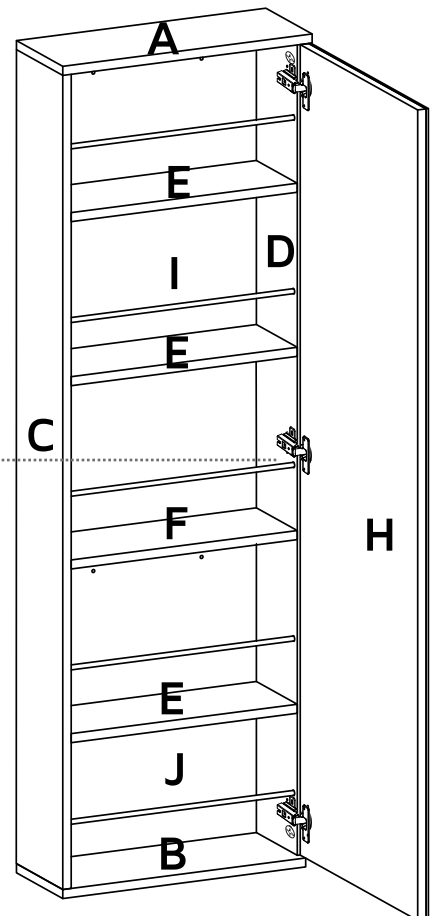
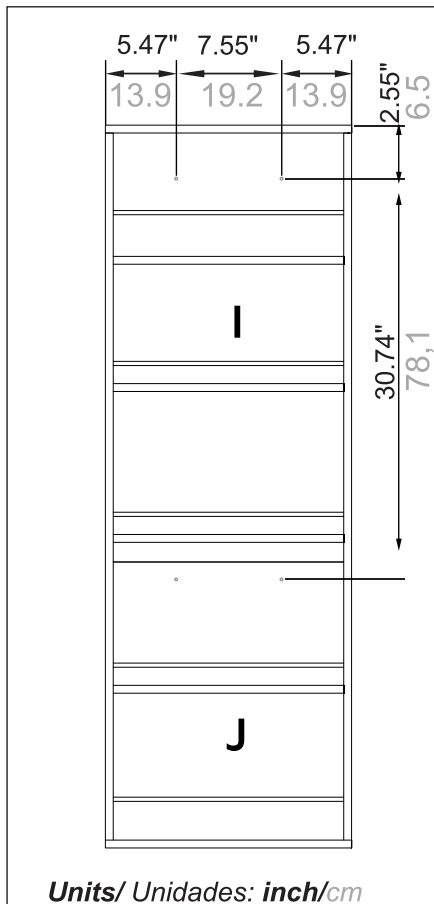
5
Hinge adjustment
Ajuste de las bisagras



Tools not included
Herramienta No incluida
5/16" / Drill Bit



Wall Installation Instalación a la pared



WARRANTY POLICY

PÓLIZA DE GARANTÍA

The product has a 3-year warranty coverage on wooden parts and a 1-year warranty coverage on hardware pieces from the manufacturing date, which can be found in the lot number printed on the product box and the assembly instructions leaflet.

The warranty covers material and workmanship defects that impair the assembly or proper functioning of the cabinet.

This warranty is not valid if defects or imperfections are caused by failure to follow assembly instructions, warnings, and recommendations, misuse, intentional damage, fire, flood, modifications or alterations, or repairs performed by unauthorized persons, or if the product is assembled more than 3 months after the date of purchase. These defects **MUST be reported before the warranty period expires. Once the product has been assembled, the company will not be responsible for defective and/or damaged parts.**

This warranty is **ONLY valid for the **ORIGINAL PURCHASER** and does not apply if the product has been resold, rented, or otherwise transferred.**

No liability is assumed for incidental or consequential damages caused by or to the product (this may not apply in your state).

To validate this warranty, you must contact customer service via email describing the product defect, including the lot number, and providing your sales receipt or proof of purchase, or contact customer service by phone. Replaced parts will remain under the original warranty period. Damaged parts will become the property of the company.

No other warranties are applicable to this product.