

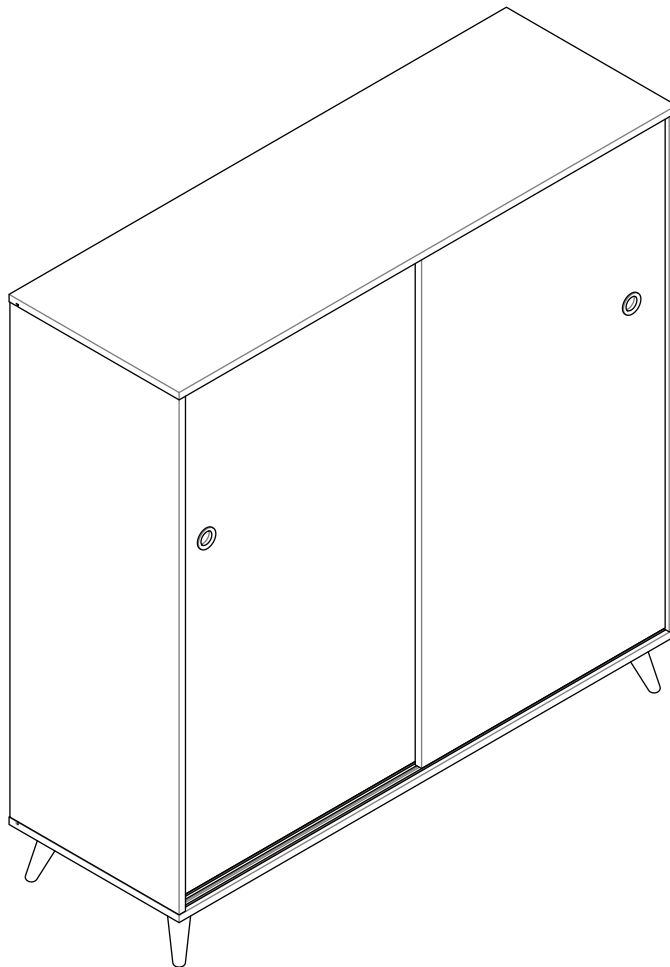
ASSEMBLY INSTRUCTION FOR ACME FURNITURE

MODEL#97777

Thank you for purchasing the quality product. Be sure to check all packing material carefully for small parts which may have come loose inside the carton during shipment. Separate, identify and count all parts and metal hardware. Compare with all parts are present. If any part(s) are missing or damaged, please contact your local furniture dealer. For efficient and speedy service, please indicate the model number and code letter of part(s) needed.

*****Do not fully tighten screws until fully assembled.*****

SHOE CABINET



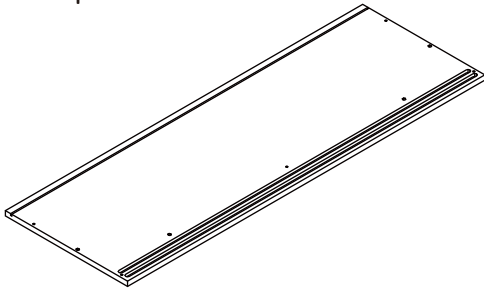
DIMENSIONS

Width - 46.06"
Depth - 15.75"
Height - 46.93"

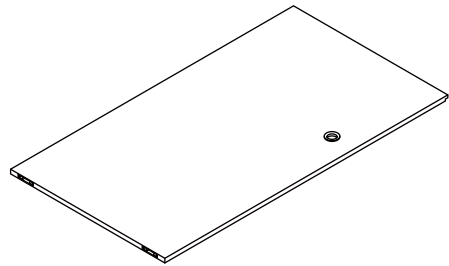
97777

PARTS LIST

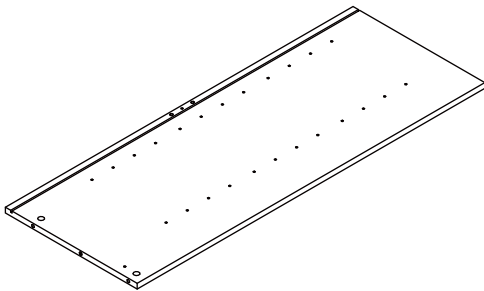
A X1 Top



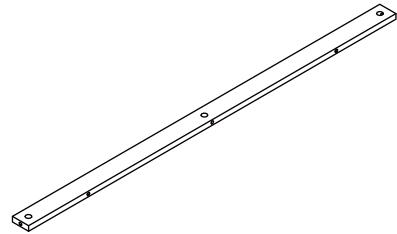
F X1 Right door



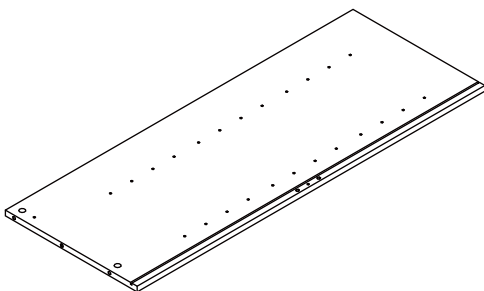
B X1 Left side



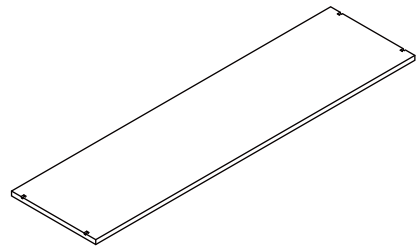
G X1 Top support



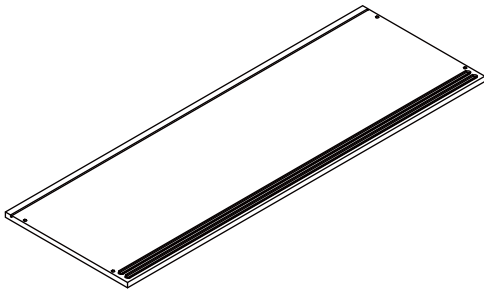
C X1 Right side



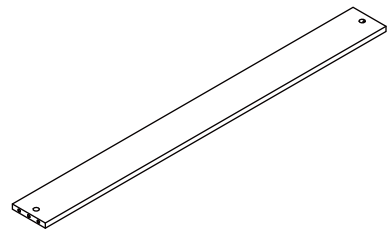
H X3 Layer



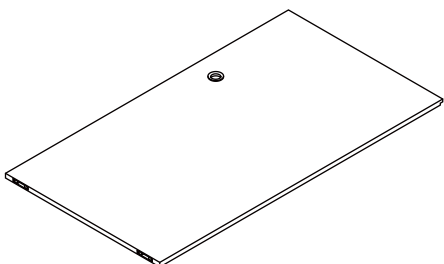
D X1 Bottom



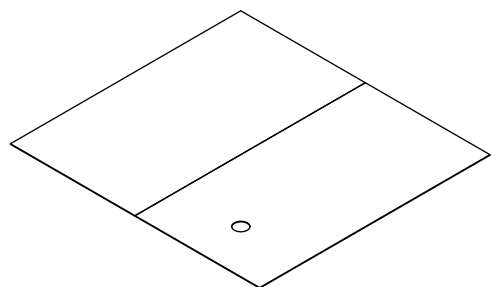
I X1 Back support



E X1 Left door



J X1 Back



HARDWARE LIST

① X9 Cam bolt 7*35*12.5mm



② X9 Cam lock 15*12mm



③ X8 Dowel 8*30mm



④ X4 Coarse screw 7*11*50mm



⑤ X12 Shelf pin 4.9*16mm



⑥ X4 Door wheel



⑦ X8 Wood screw #6*7/8"



⑧ X4 Fixative plate



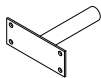
⑨ X4 Wood screw 3*19mm



⑩ X4 Foot



⑪ X1 Support foot



⑫ X20 T-head screw 4*12mm



⑬ X1 Floor protector 24mm*1/4*12mm



⑭ X1 Vent cap 60mm*66mm*3mm



⑮ X1 Glue



⑯ X1 Allen wrench



⑰ X4 Sticker

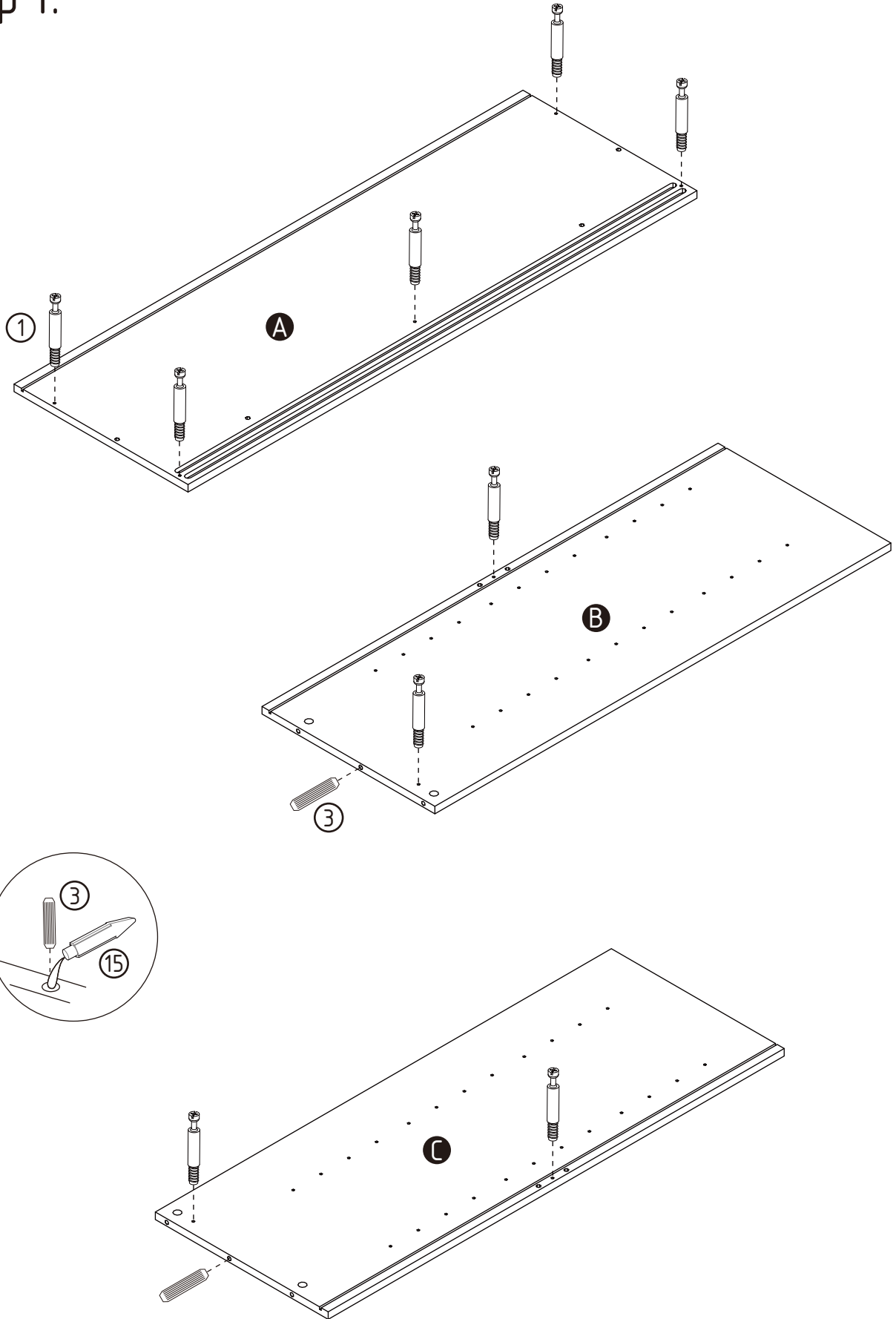


Attention

Some number parts listed on the instruction sheet may not be in parts bag as they may already be assembled. Carefully check parts and packing materials prior to ordering replacements.

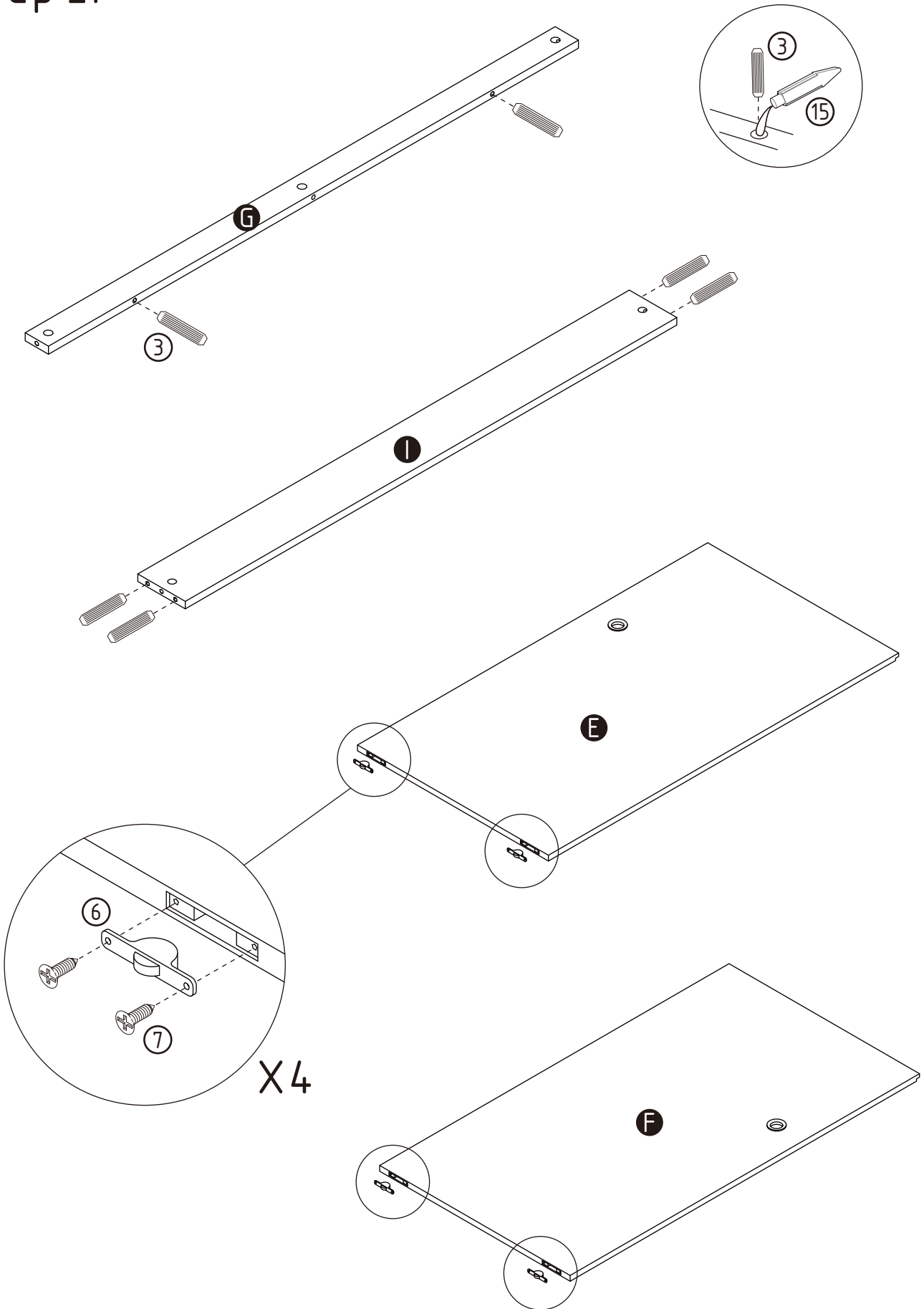
ASSEMBLY INSTRUCTIONS

Step 1.



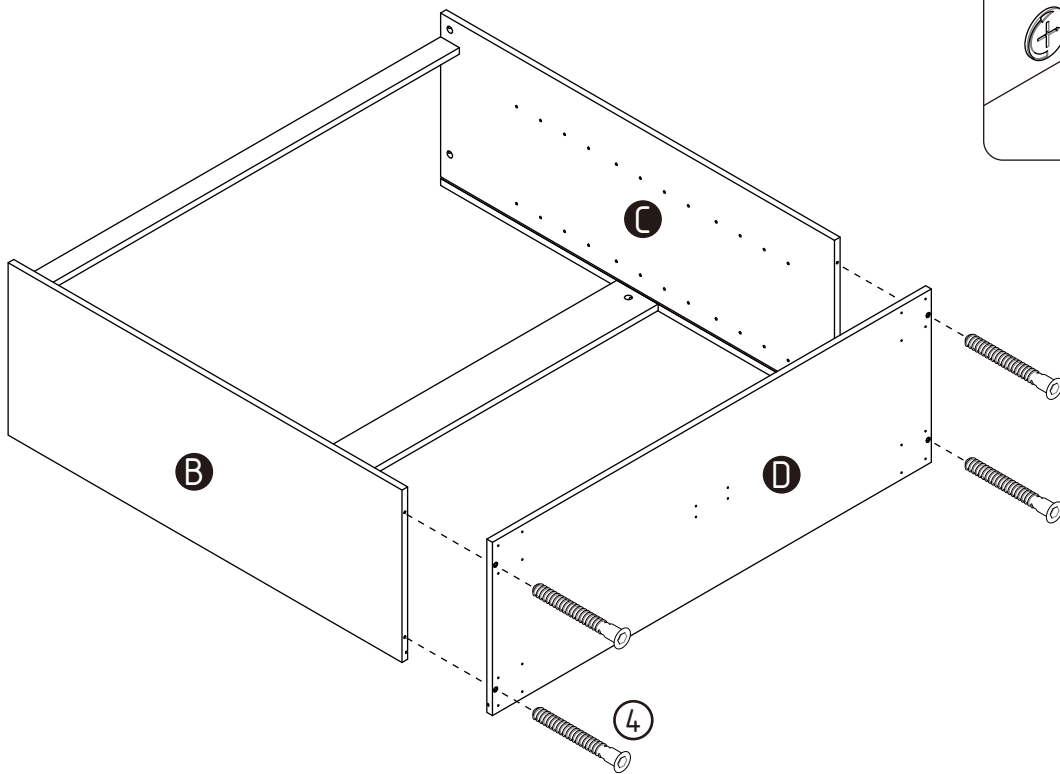
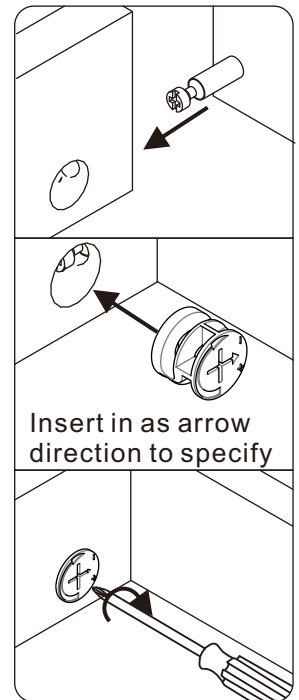
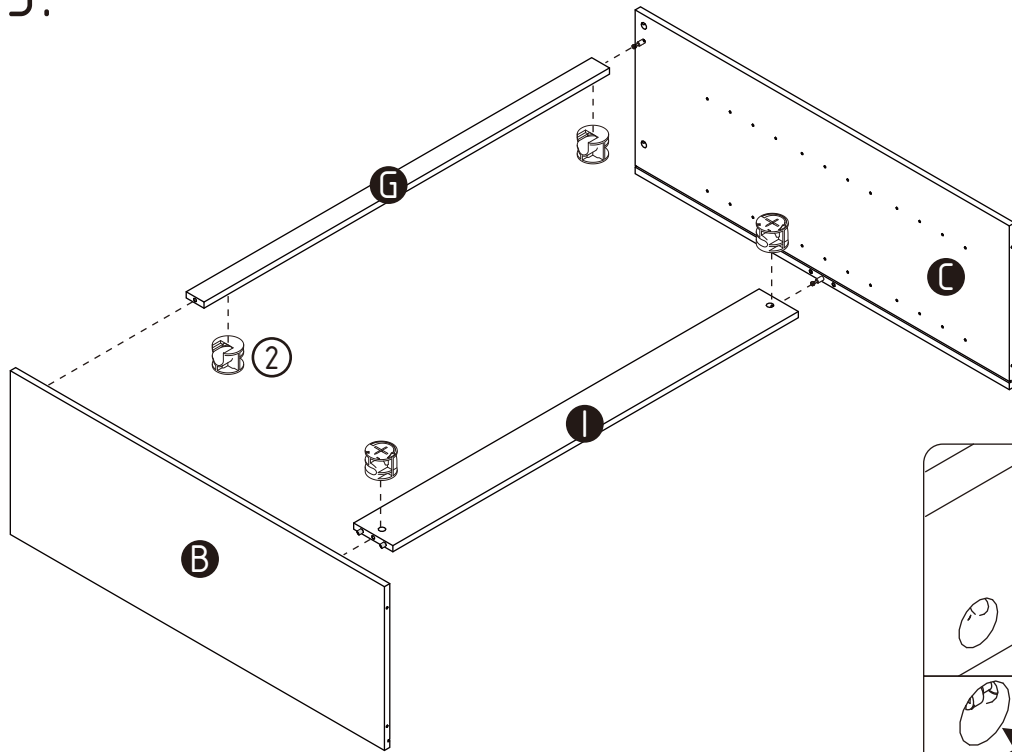
ASSEMBLY INSTRUCTIONS

Step 2.



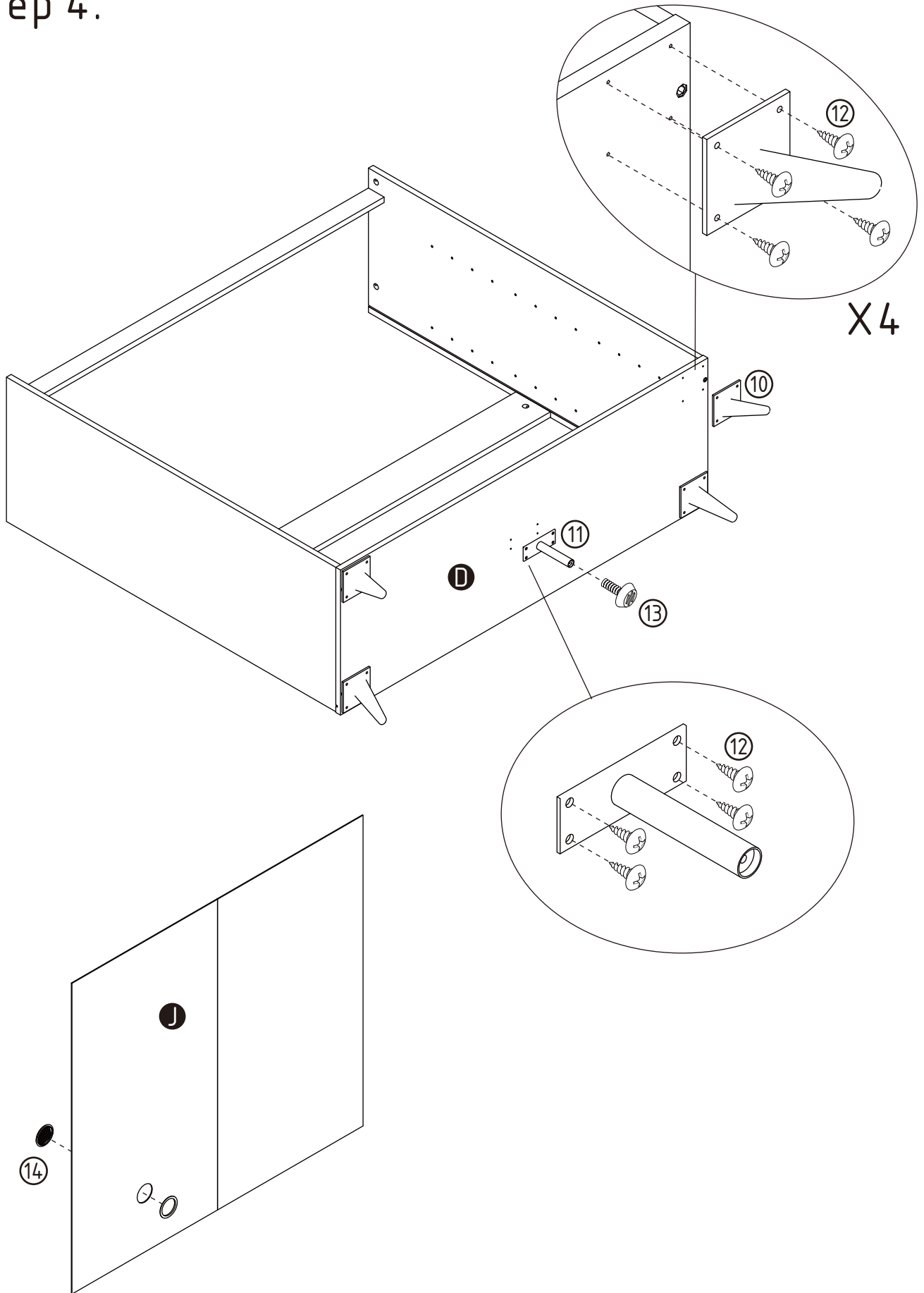
ASSEMBLY INSTRUCTIONS

Step 3.



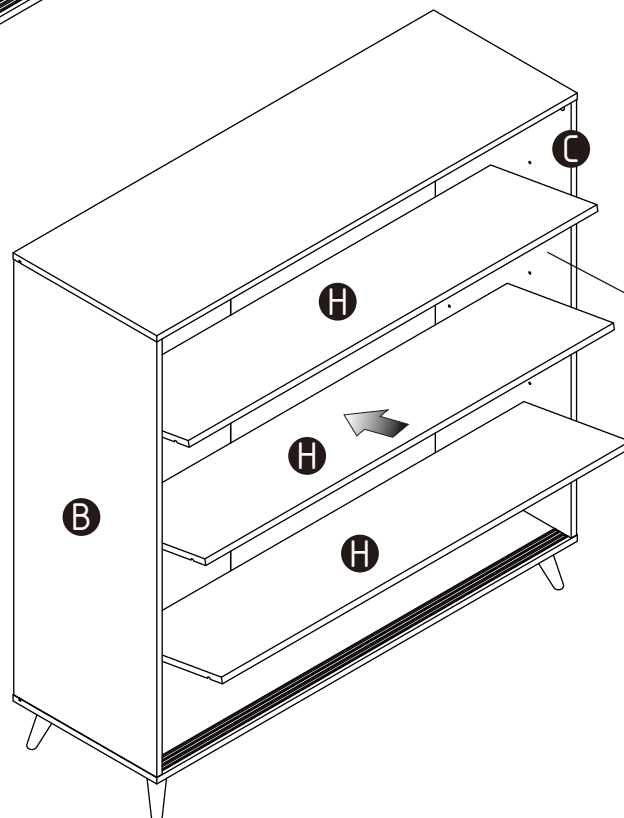
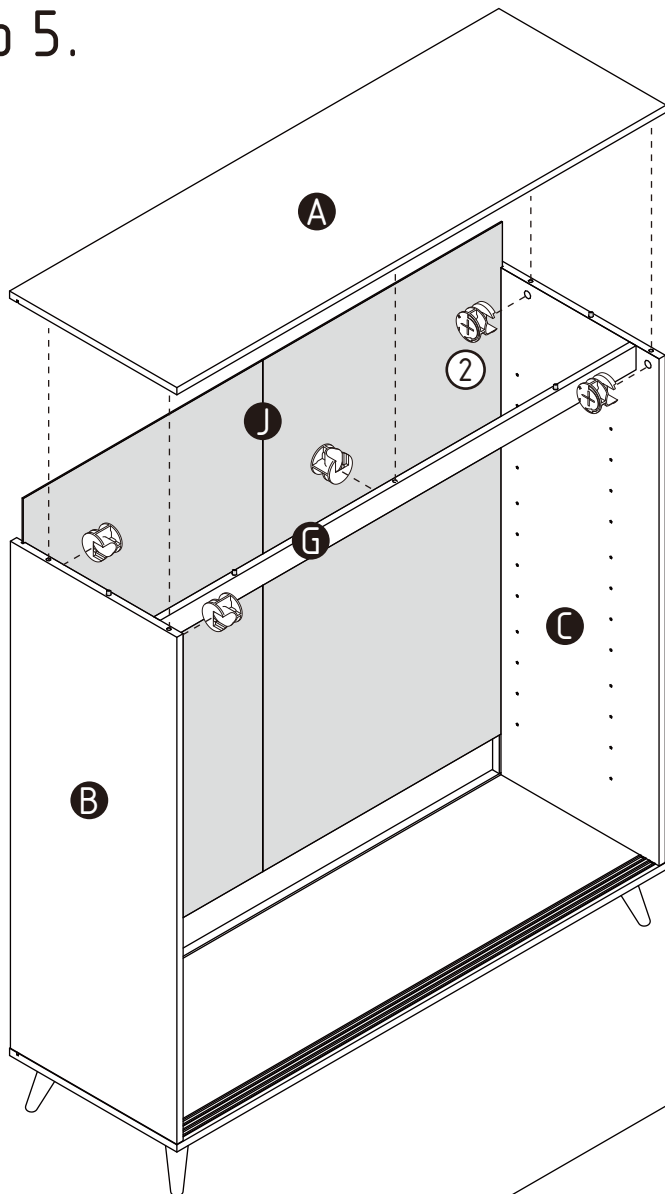
ASSEMBLY INSTRUCTIONS

Step 4.



ASSEMBLY INSTRUCTIONS

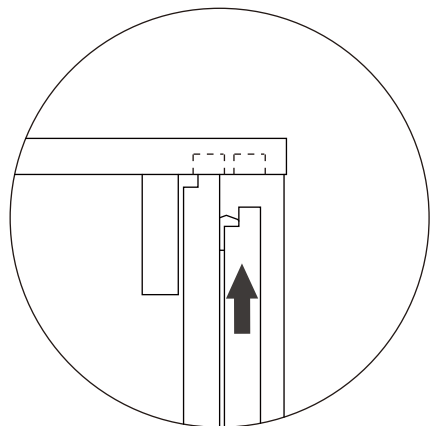
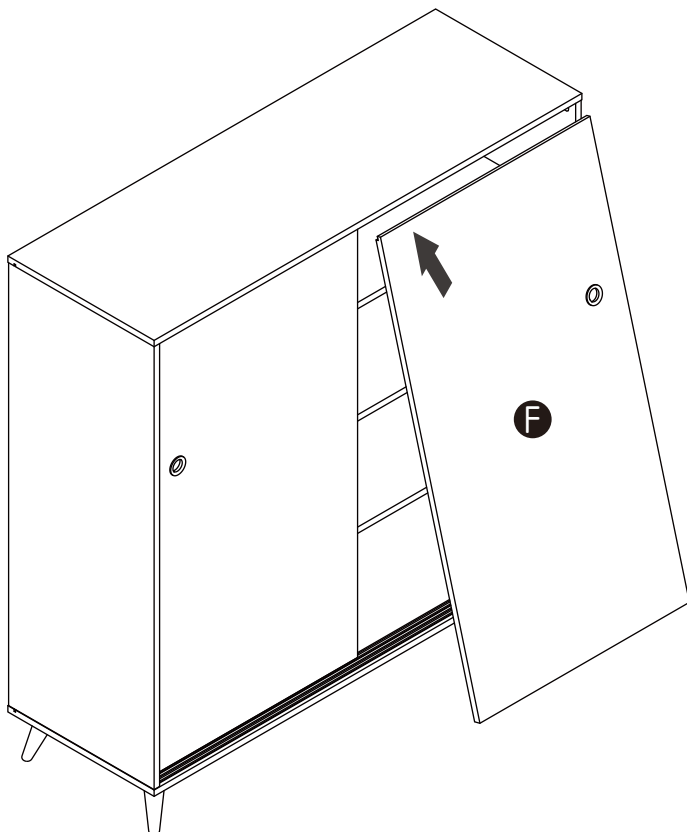
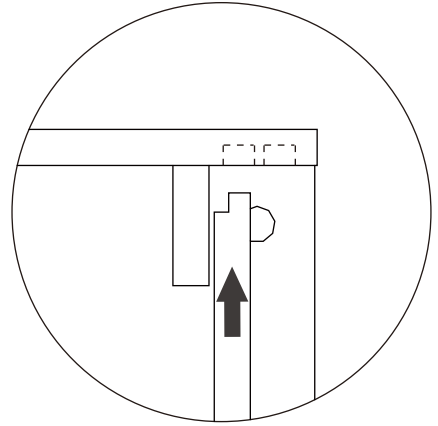
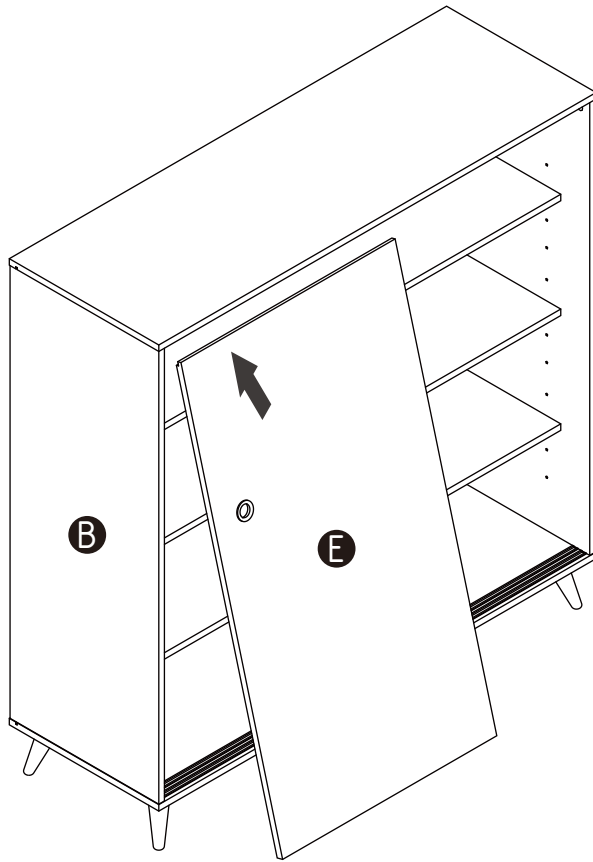
Step 5.



X12

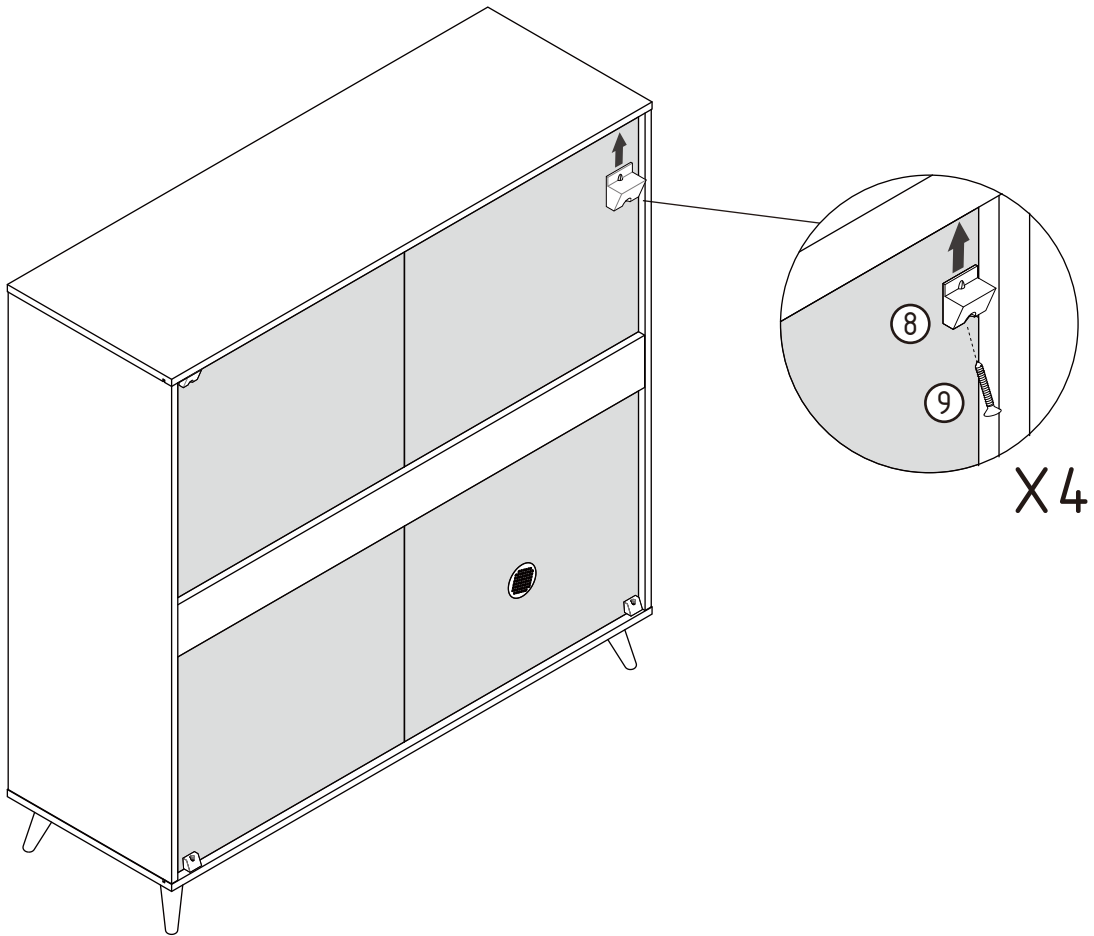
ASSEMBLY INSTRUCTIONS

Step 6.



ASSEMBLY INSTRUCTIONS

Step 7.



ASSEMBLY IS COMPLETED.

Make sure the product is rested on a flat surface and does not feel loose or wobbly. If it does, double check that the bolts/screws are secured and properly tightened.