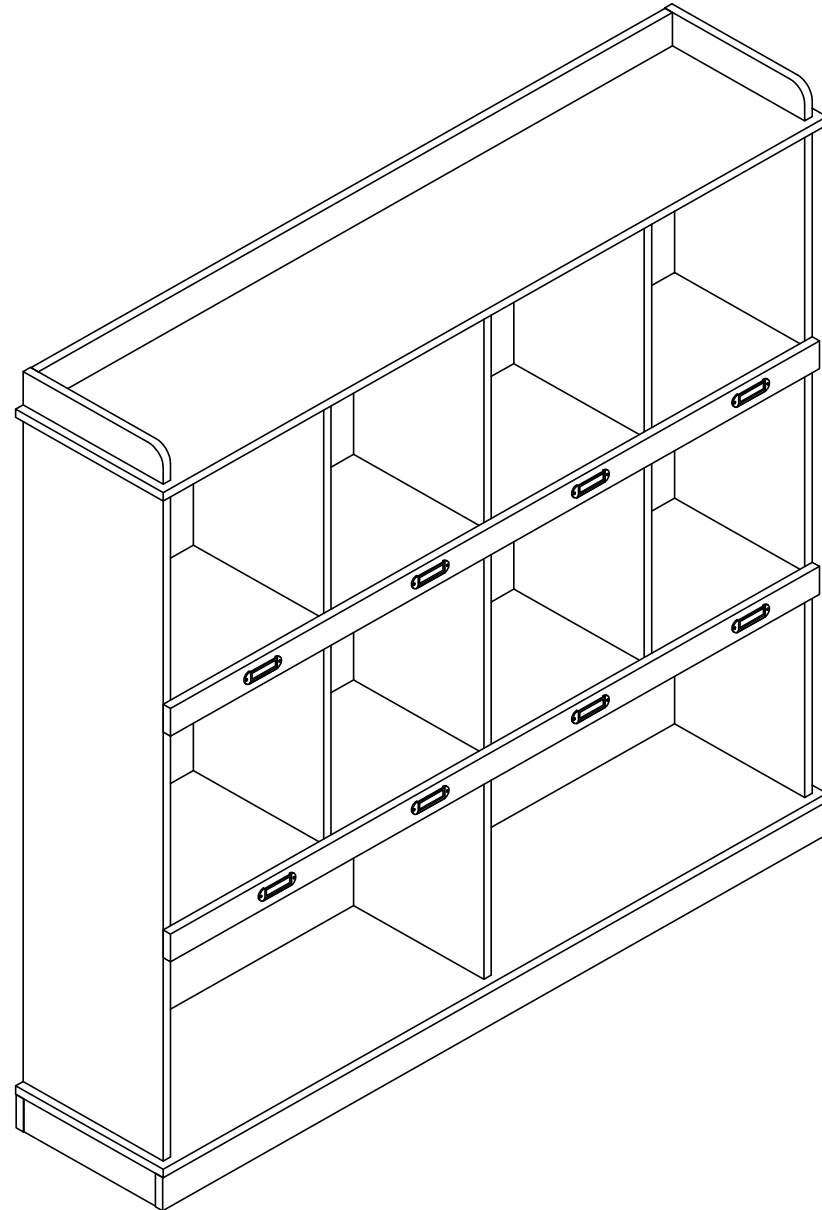
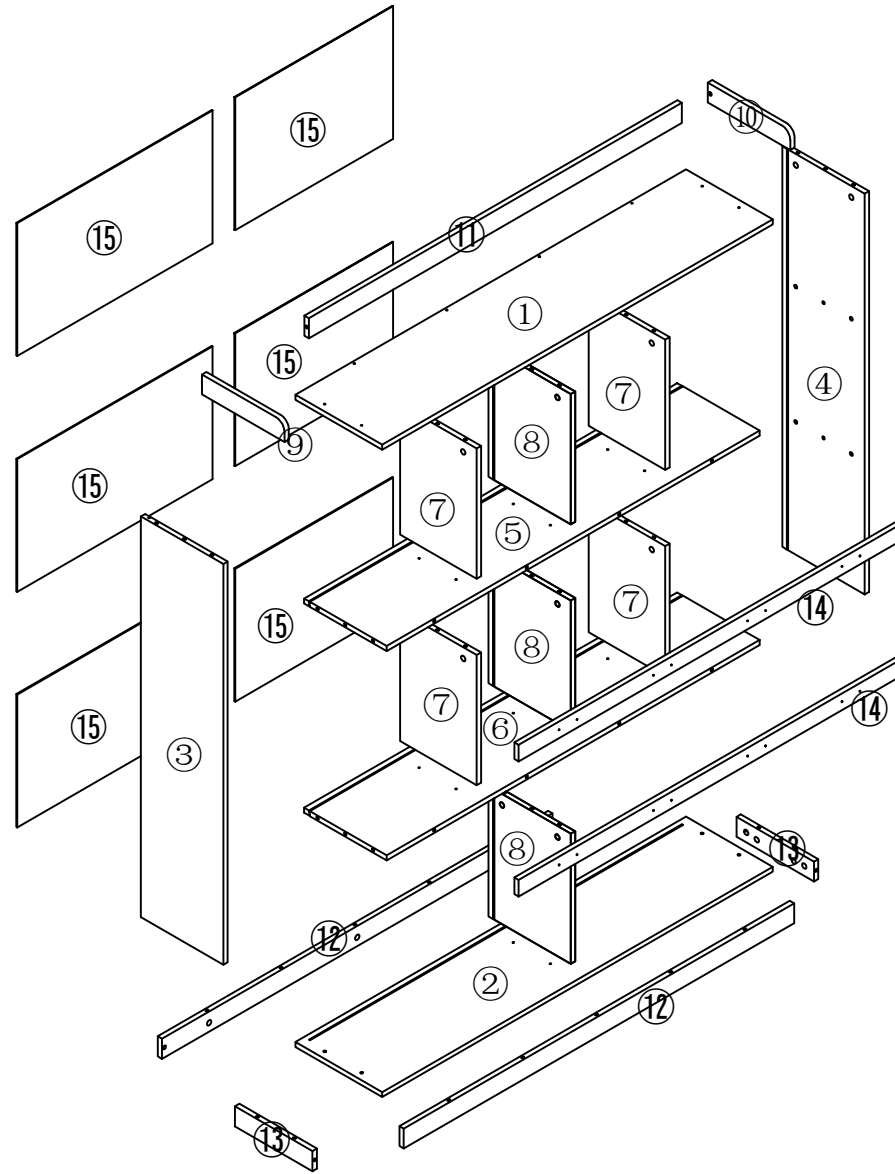
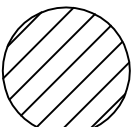

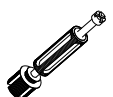
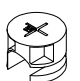


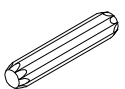
Installation & Assembly




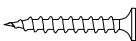


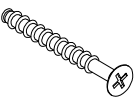
<p>K</p>  <p>18PCS</p>	<p>L</p> <p>3.5*14</p>  <p>4PCS</p>
--	--

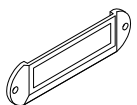
<p>A</p>  <p>50PCS</p>	<p>B</p>  <p>50PCS</p>
--	---

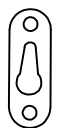
<p>C</p> <p>8*40</p>  <p>17PCS</p>

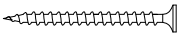
<p>D</p> <p>3.5*12</p>  <p>16PCS</p>

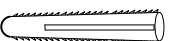
<p>E</p> <p>3.5*35</p>  <p>22PCS</p>
--

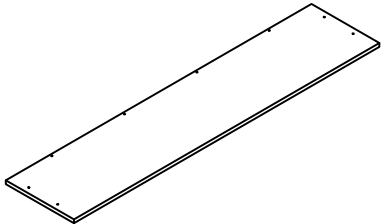
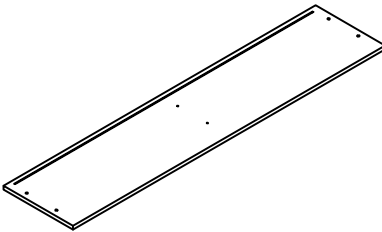
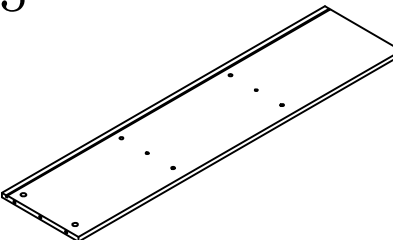
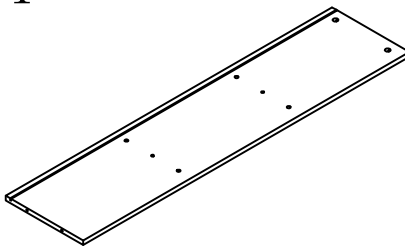
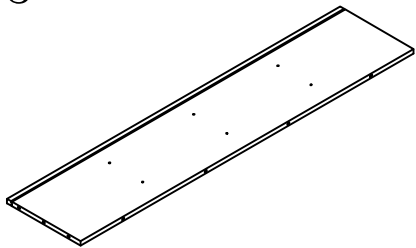
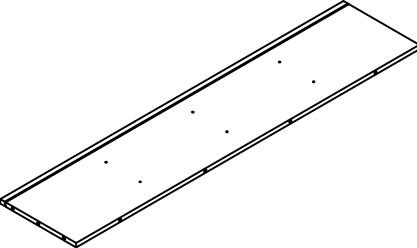
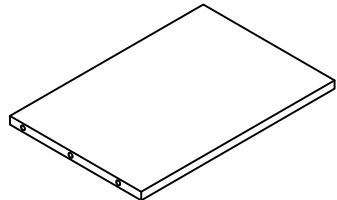
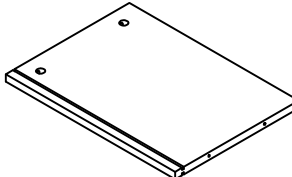
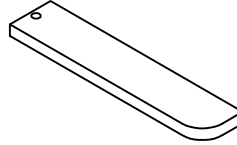
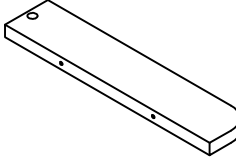
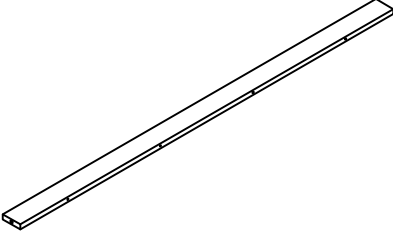
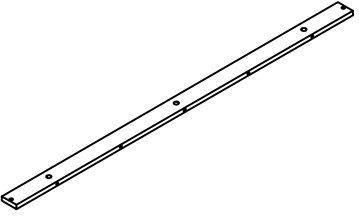
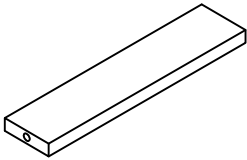
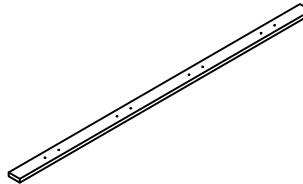
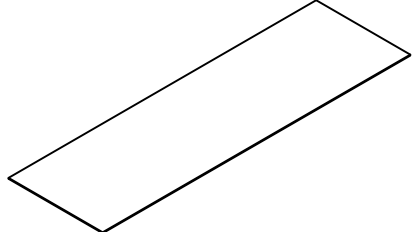
<p>F</p> <p>7*50</p>  <p>4PCS</p>
--

<p>G</p>  <p>8PCS</p>
--

<p>H</p>  <p>2PCS</p>
--

<p>I</p> <p>4*50</p>  <p>2PCS</p>
--

<p>J</p> <p>8*40</p>  <p>2PCS</p>
--

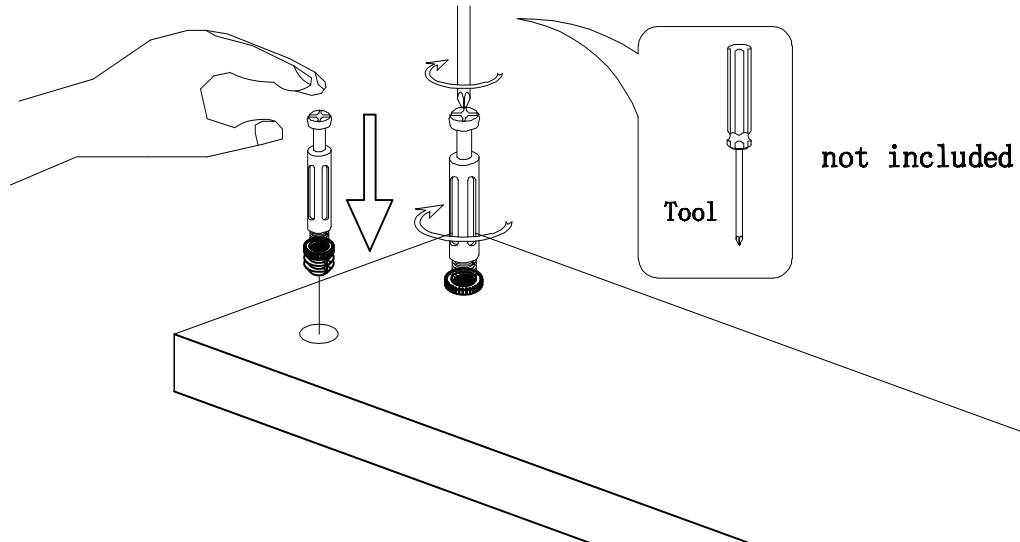
<p>1</p>  <p>1350*300 1PS</p>	<p>2</p>  <p>1350*300 1PS</p>	<p>3</p>  <p>1050*285 1PS</p>	<p>4</p>  <p>1050*285 1PS</p>	<p>5</p>  <p>1290*285 1PS</p>
<p>6</p>  <p>1290*285 1PS</p>	<p>7</p>  <p>340*265 4PS</p>	<p>8</p>  <p>340*285 3PS</p>	<p>9</p>  <p>285*60 1PS</p>	<p>10</p>  <p>285*60 1PS</p>
<p>11</p>  <p>1290*60 1PS</p>	<p>12</p>  <p>1350*60 2PS</p>	<p>13</p>  <p>268*60 2PS</p>	<p>14</p>  <p>1320*50 2PS</p>	<p>15</p>  <p>646*398 6PS</p>



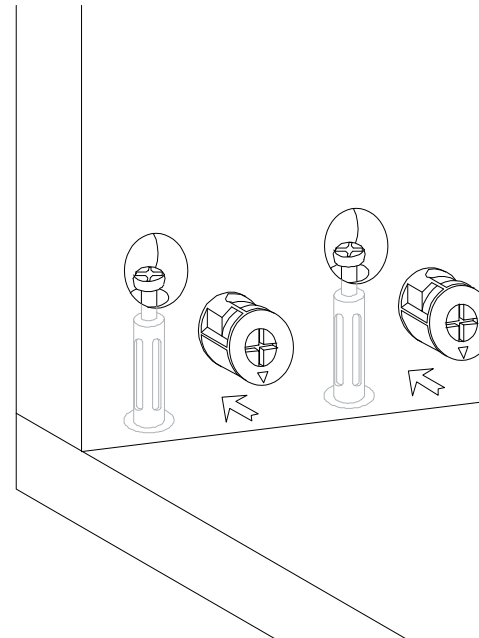
Hardware installation demonstration

NOTE: Please make sure "A" hardware tightened and can't be pulled out!

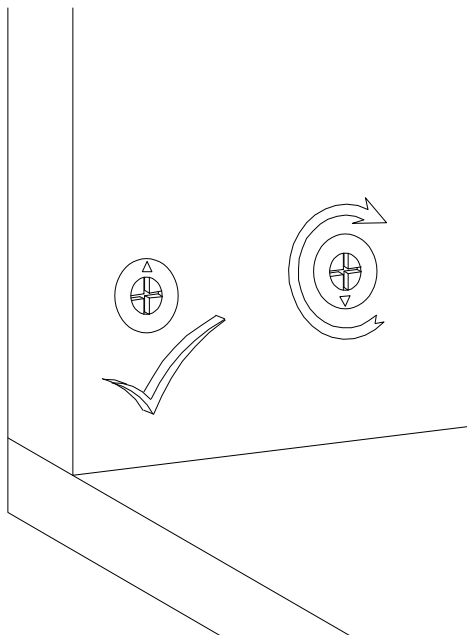
I



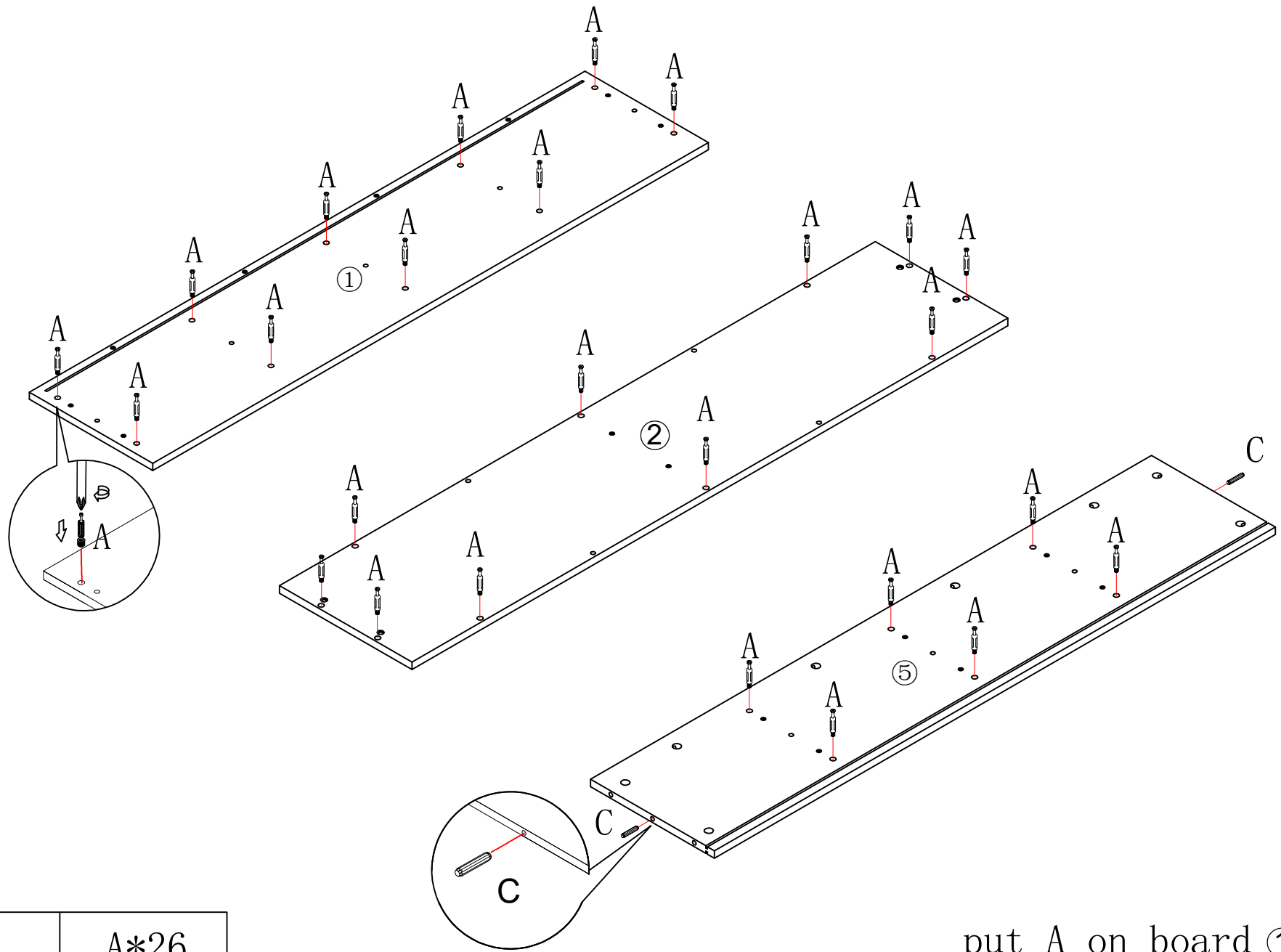
II


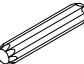


III



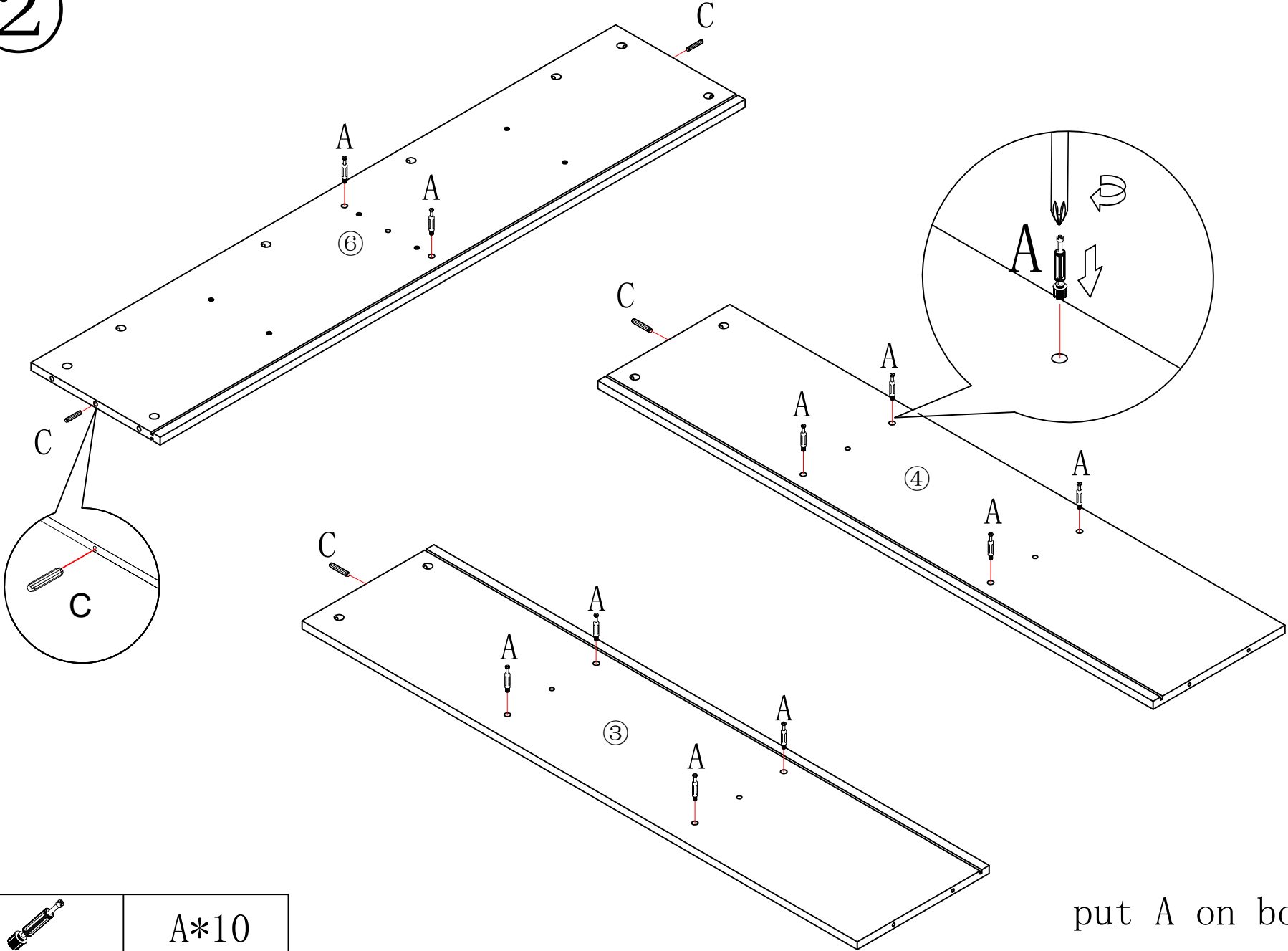
1



	A*26
	C*2

put A on board ① ② ⑤
put C on board ⑤

2

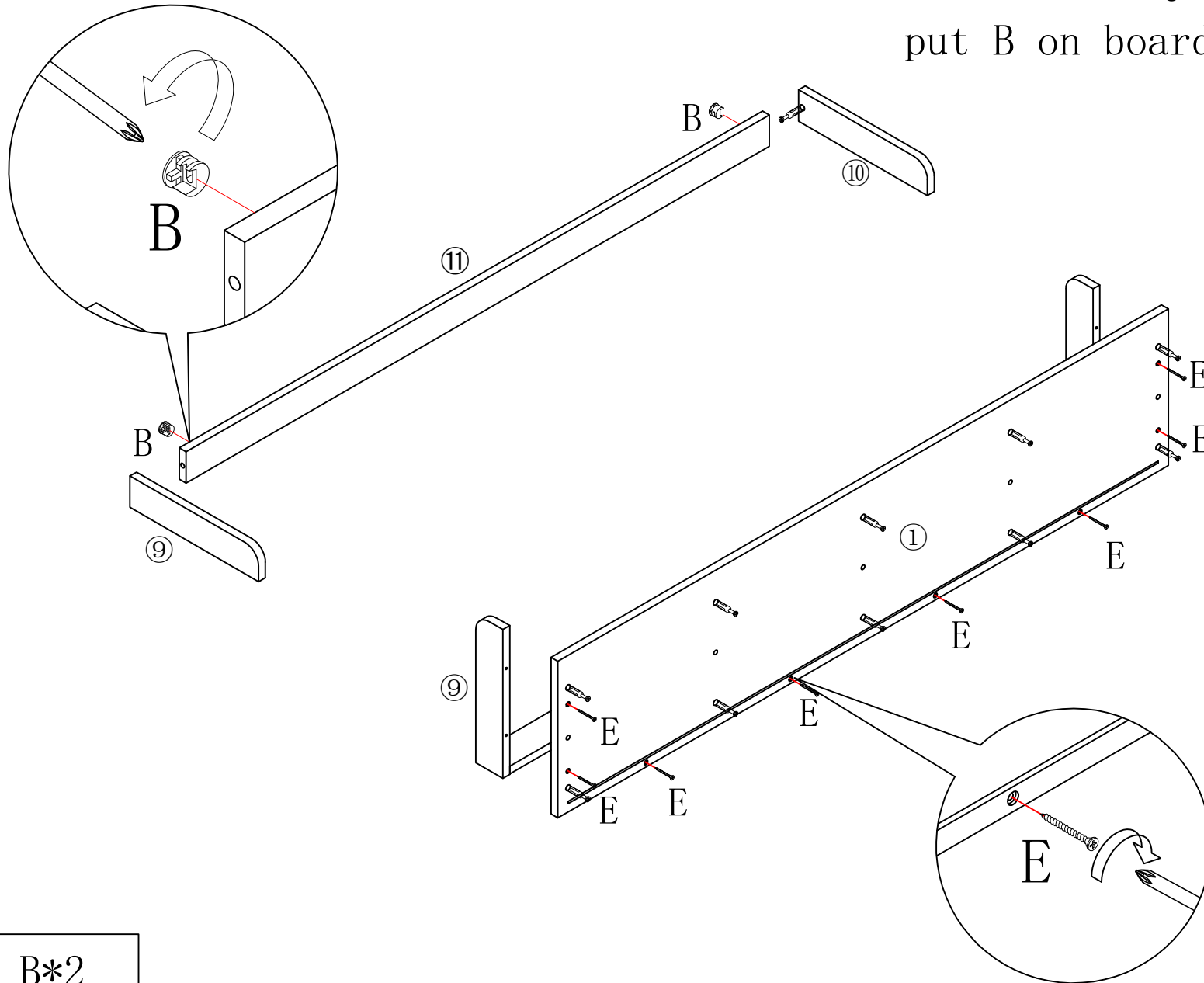


put A on board ③④⑥
put C on board ③④⑥

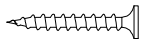
4

Make sure the arrow on the screw align to the hole on the side.

put B on board 9 10 11



B*2

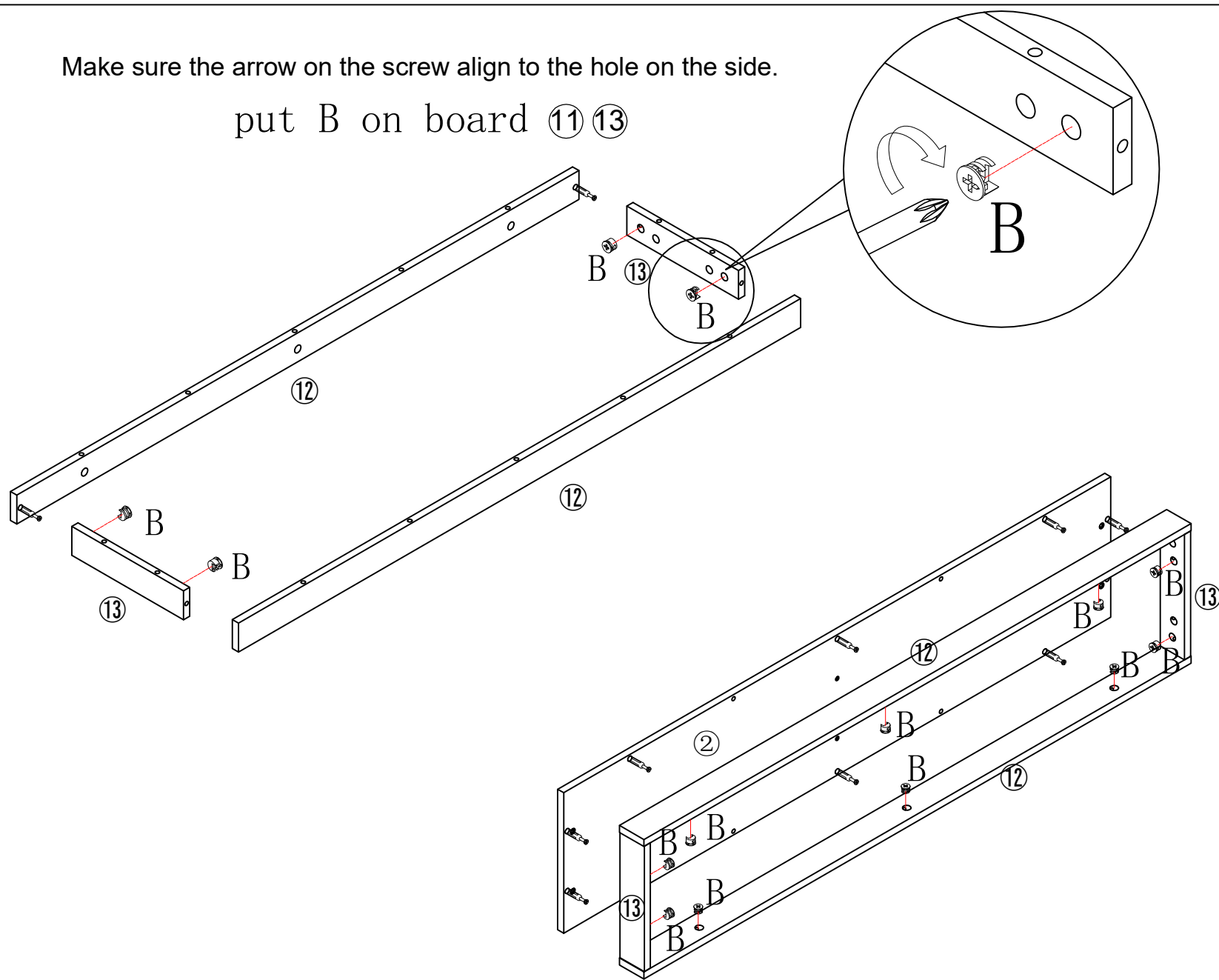


E*8

5

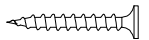
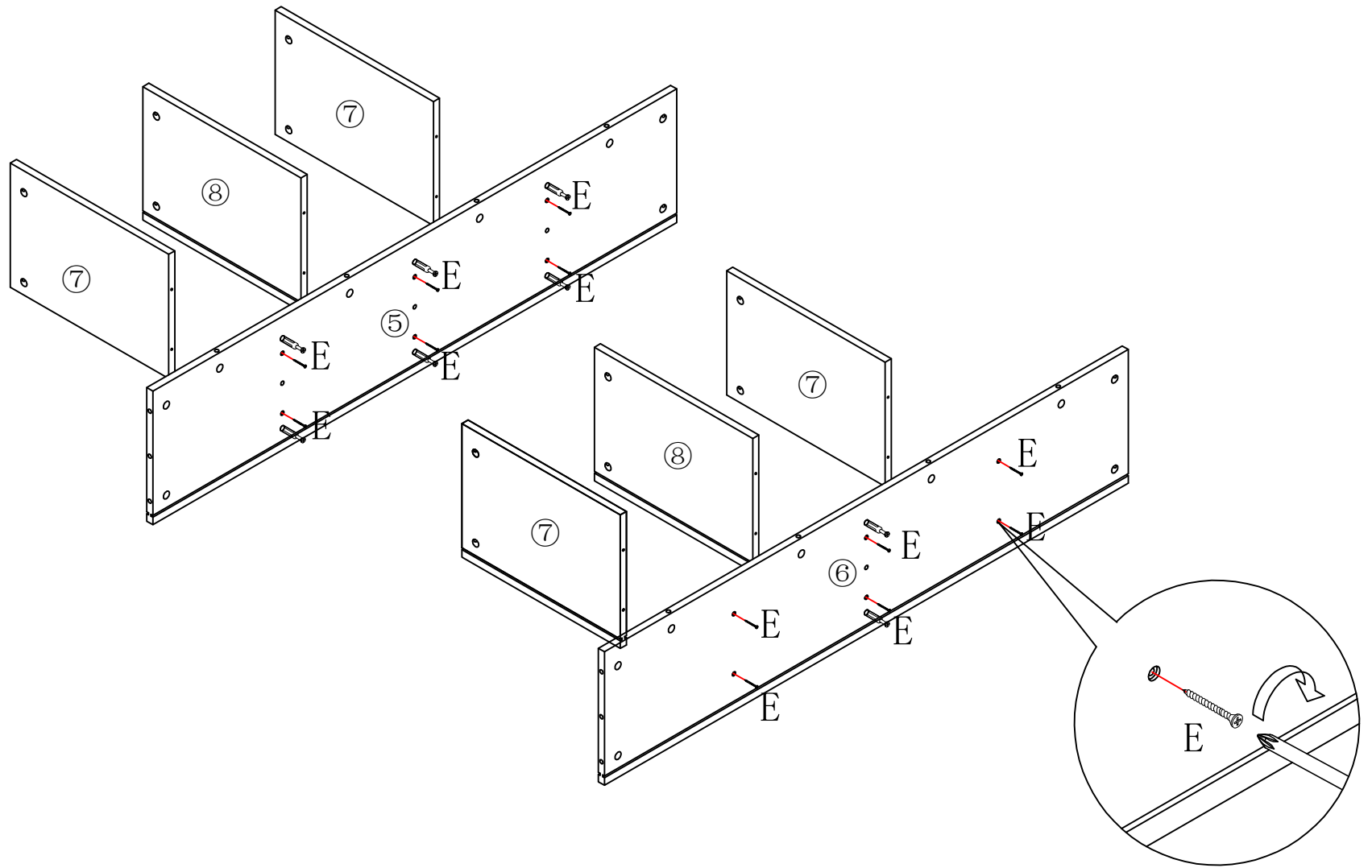
Make sure the arrow on the screw align to the hole on the side.

put B on board ⑪ ⑬



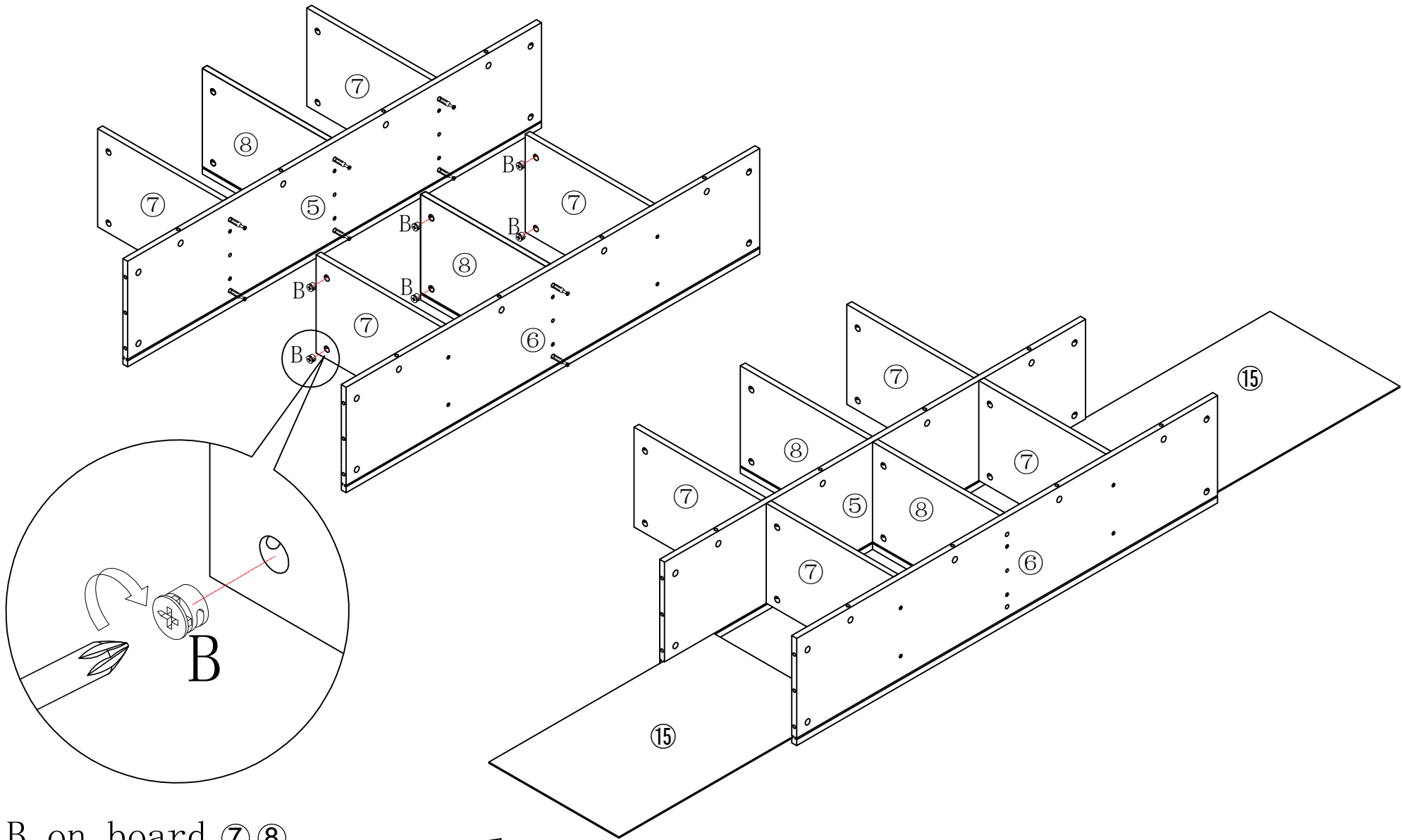
B*14

6

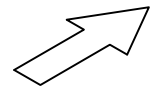


E*12

7

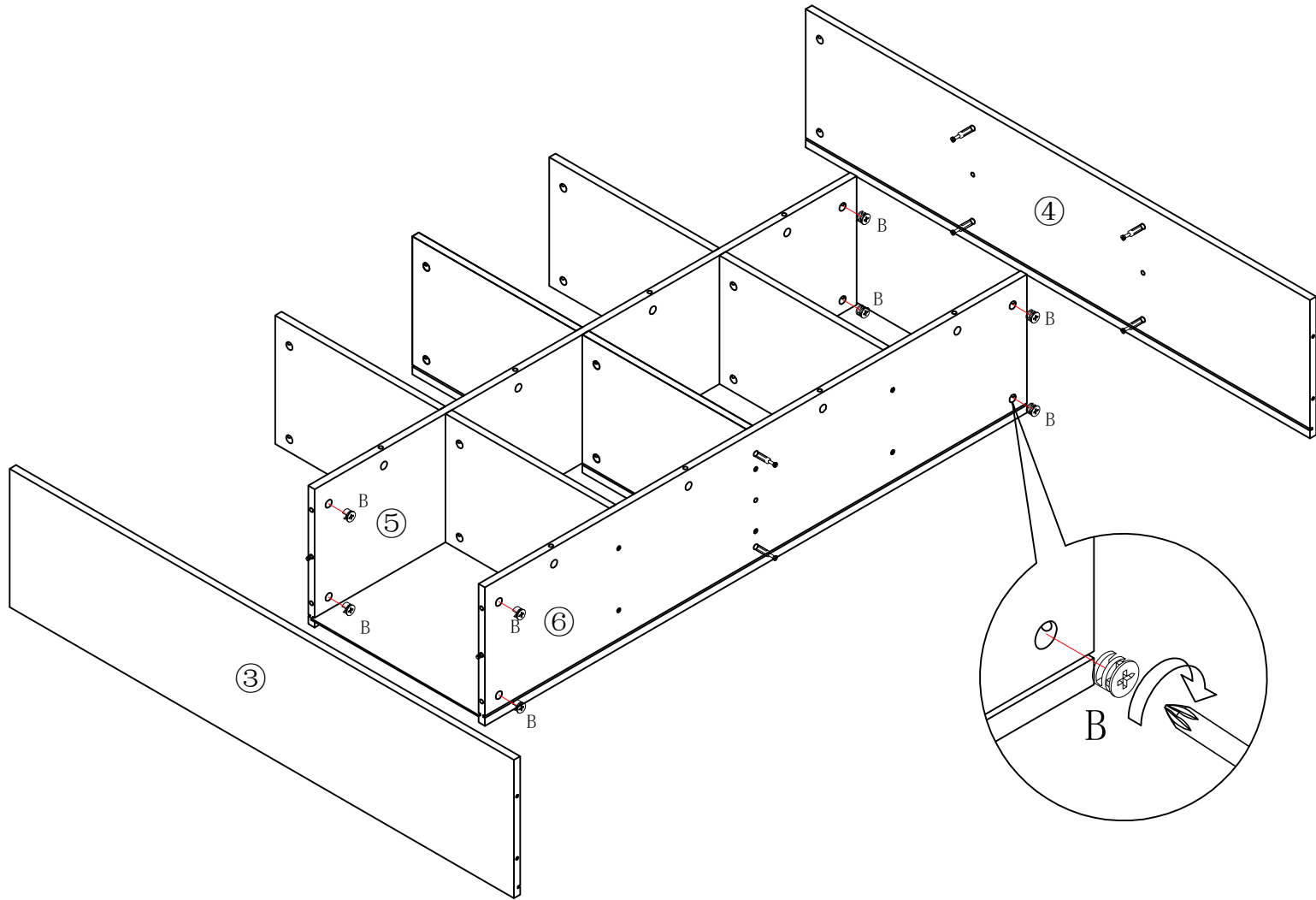


put B on board ⑦ ⑧



	B*6
---	-----

8



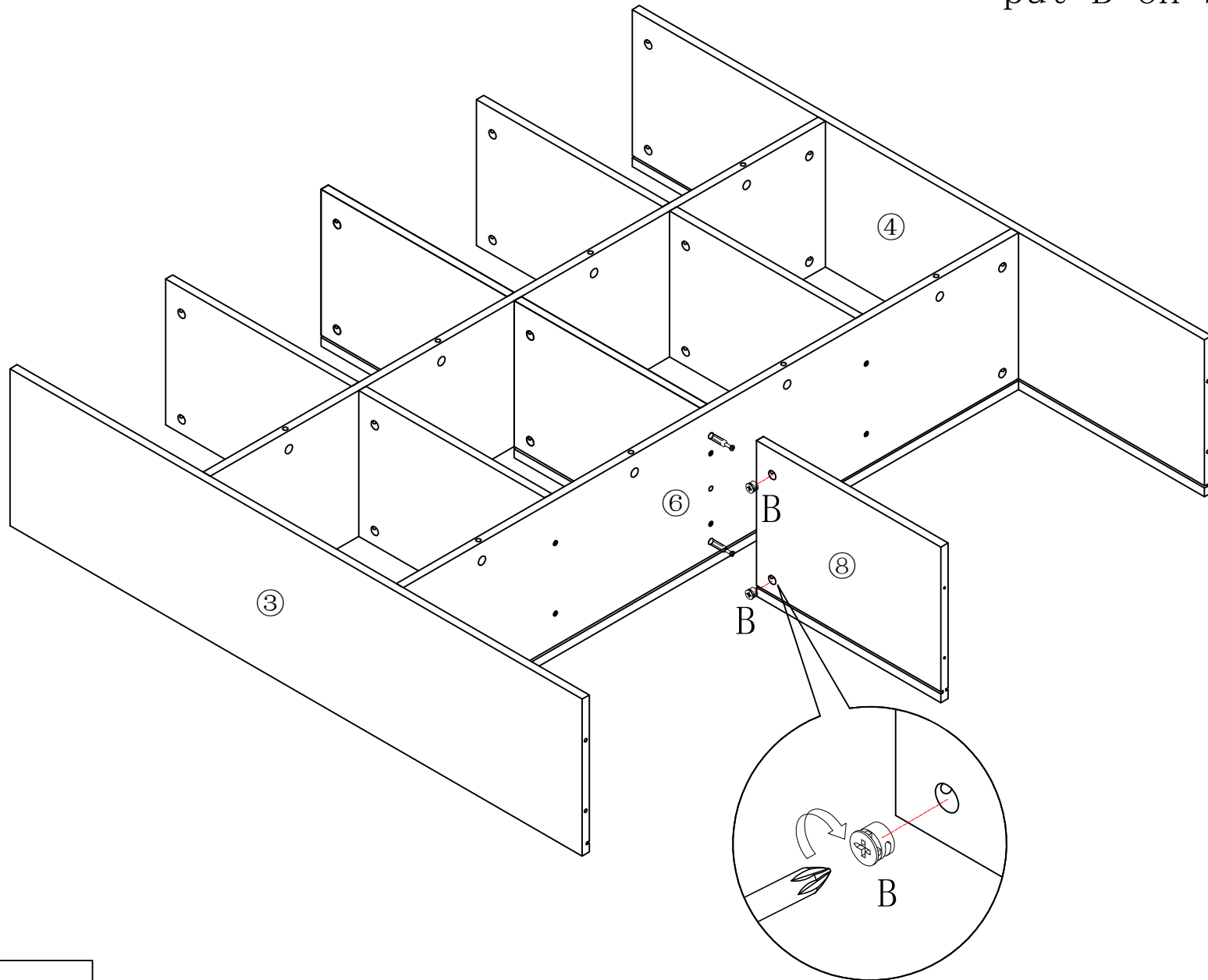
B*8

put B on board ⑤ ⑥

9

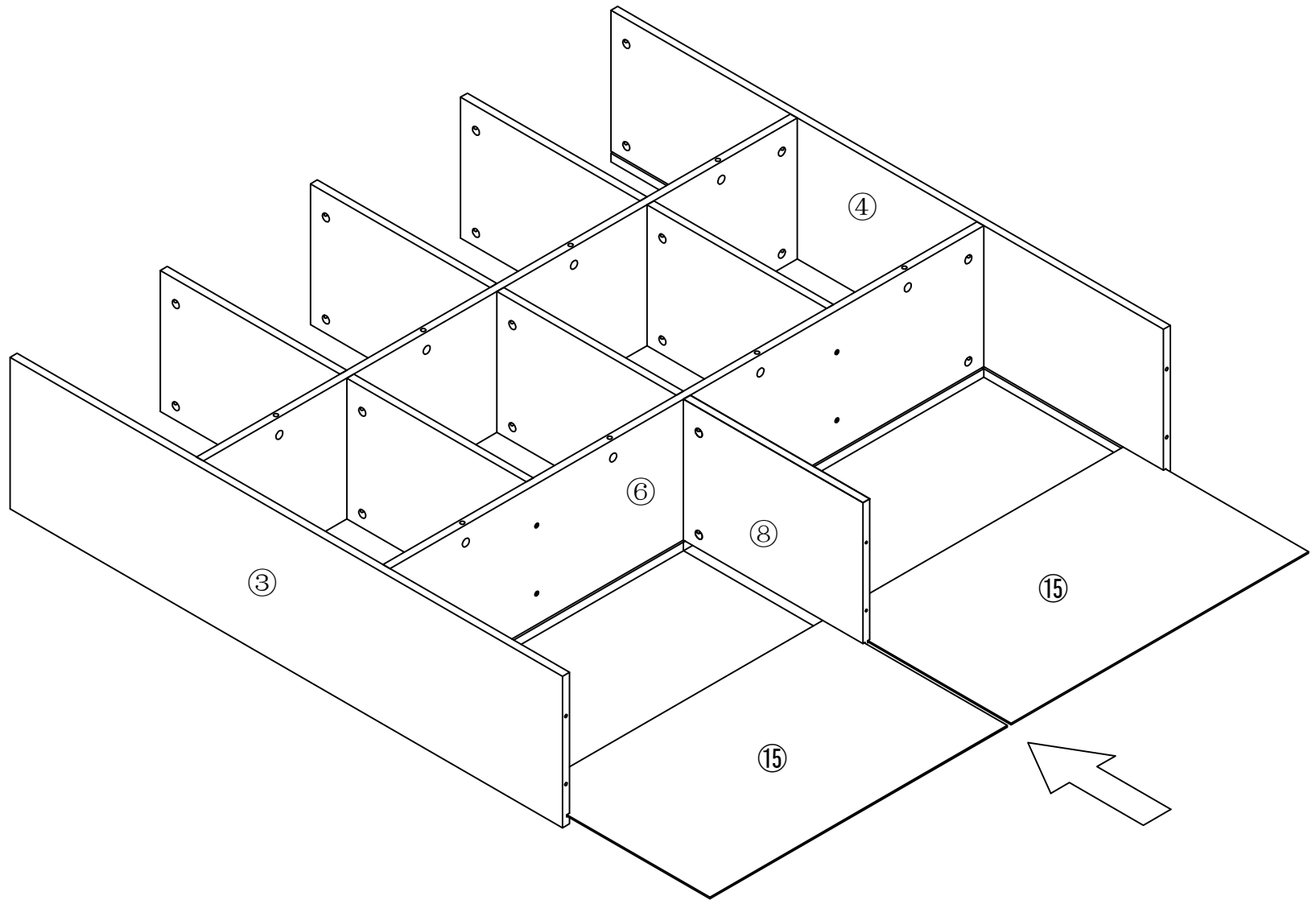
Make sure the arrow on the screw align to the hole on the side.

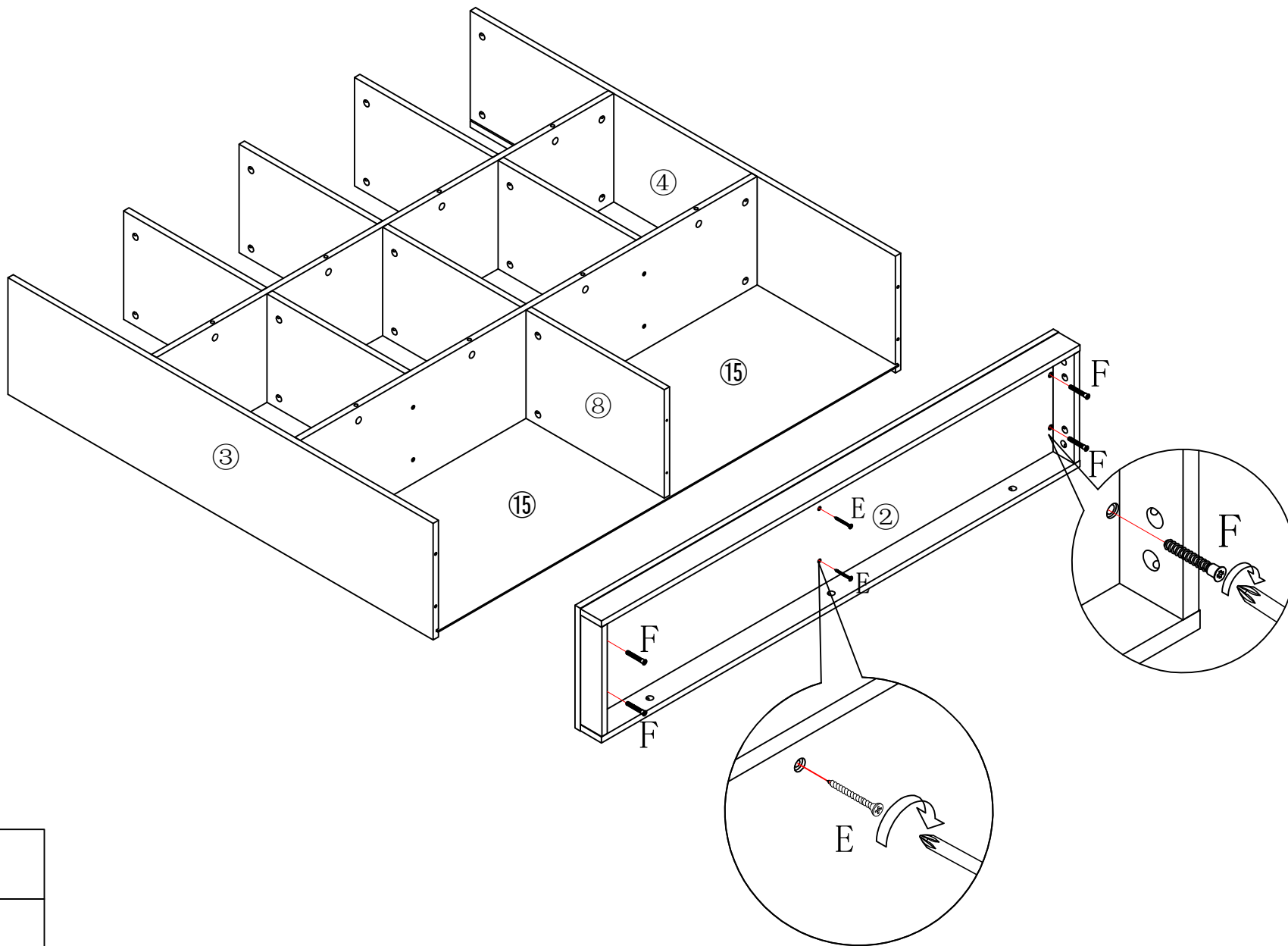
put B on board ⑧



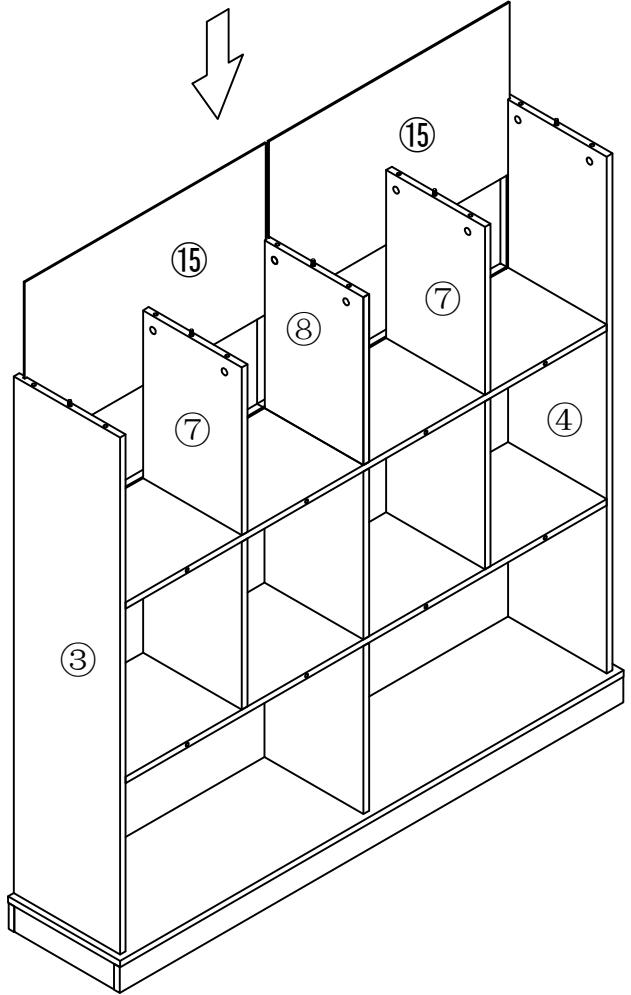
B*2

10

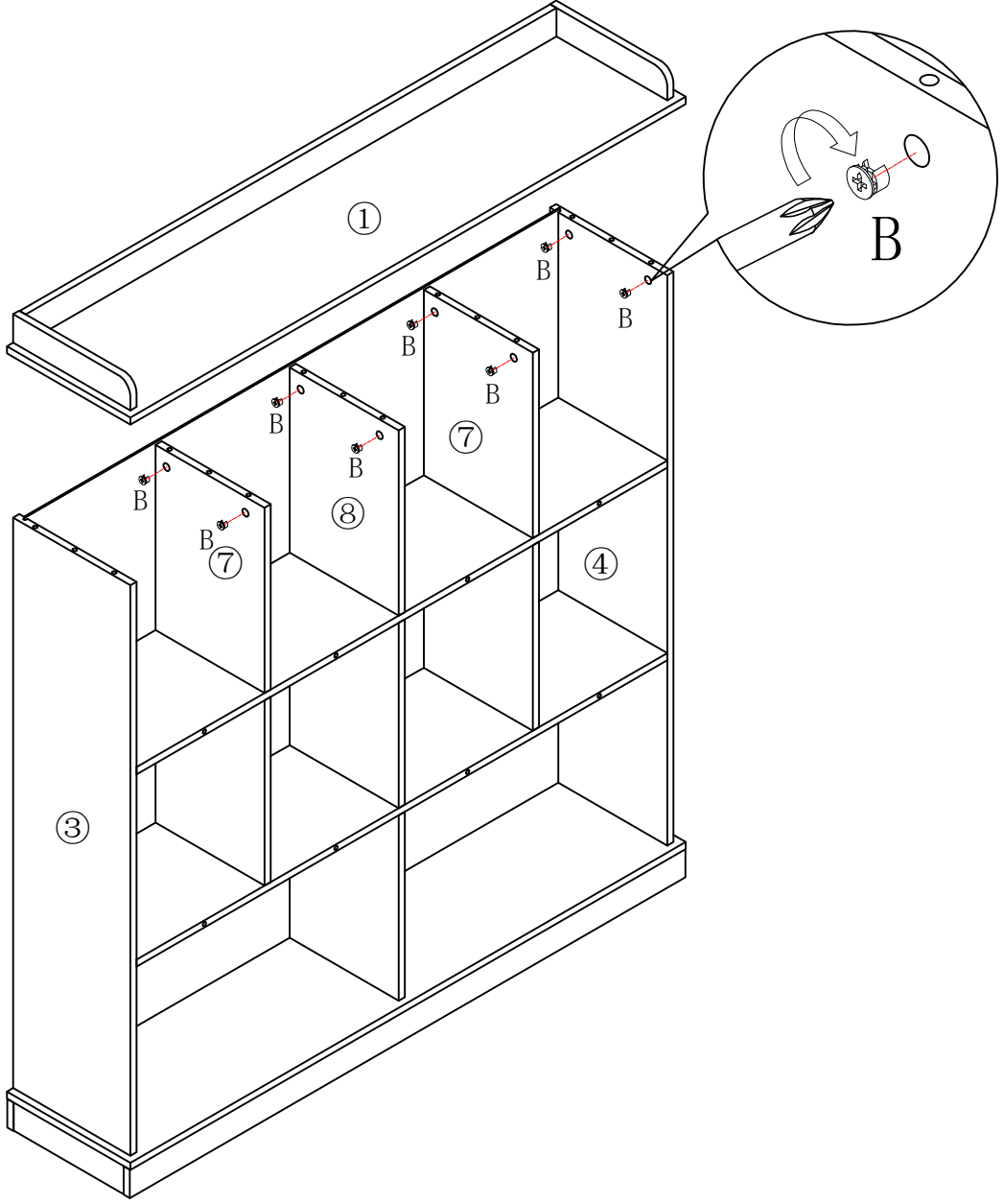




12



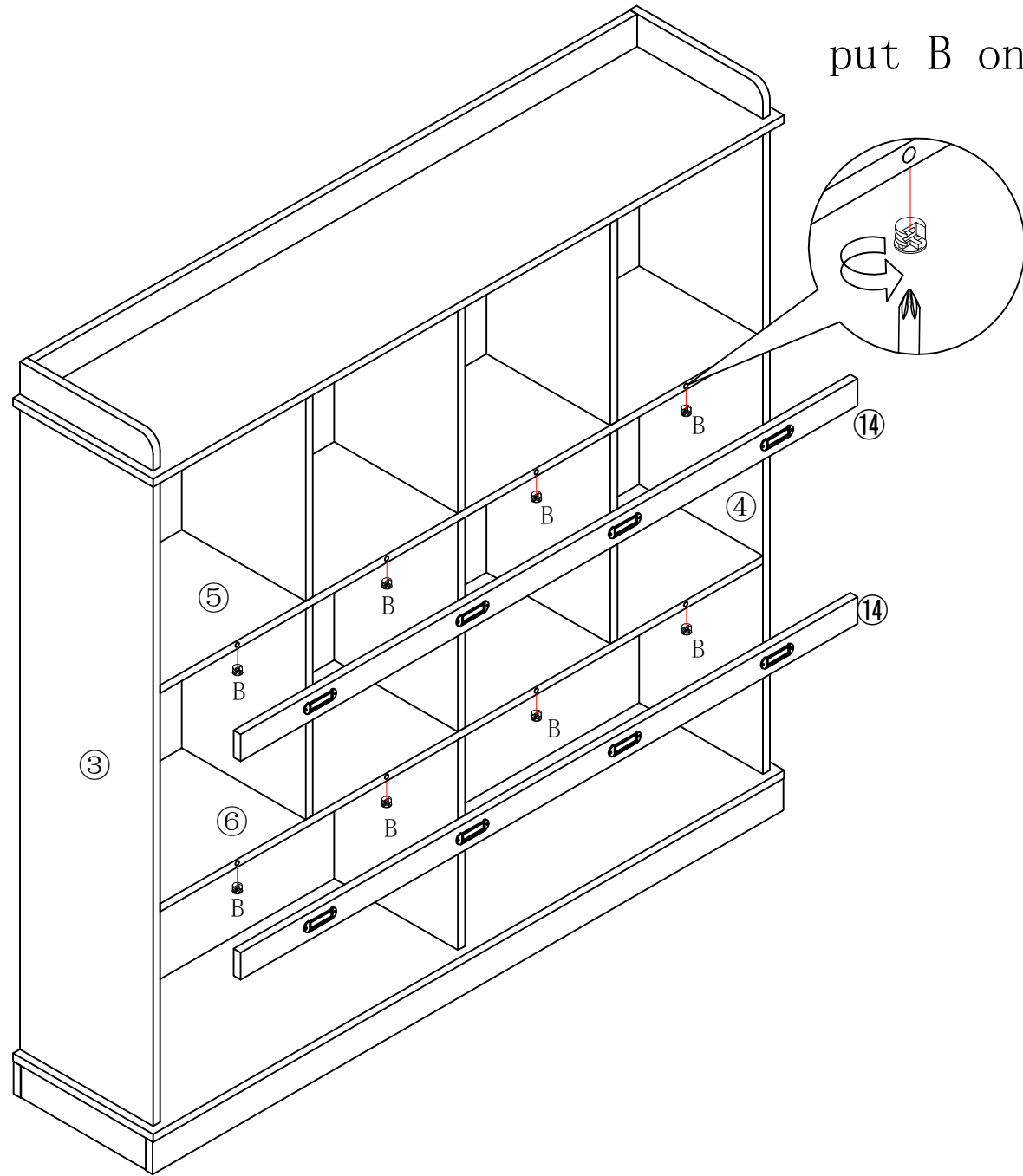
put B on board ③ ④ ⑦ ⑧



B*10

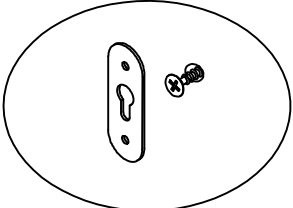
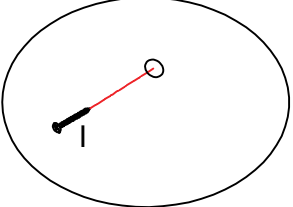
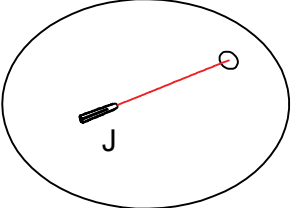
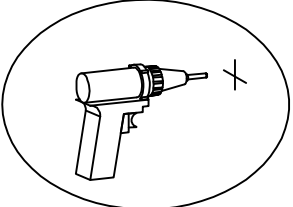
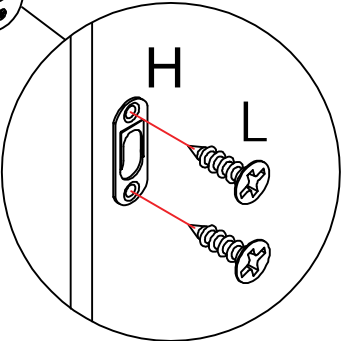
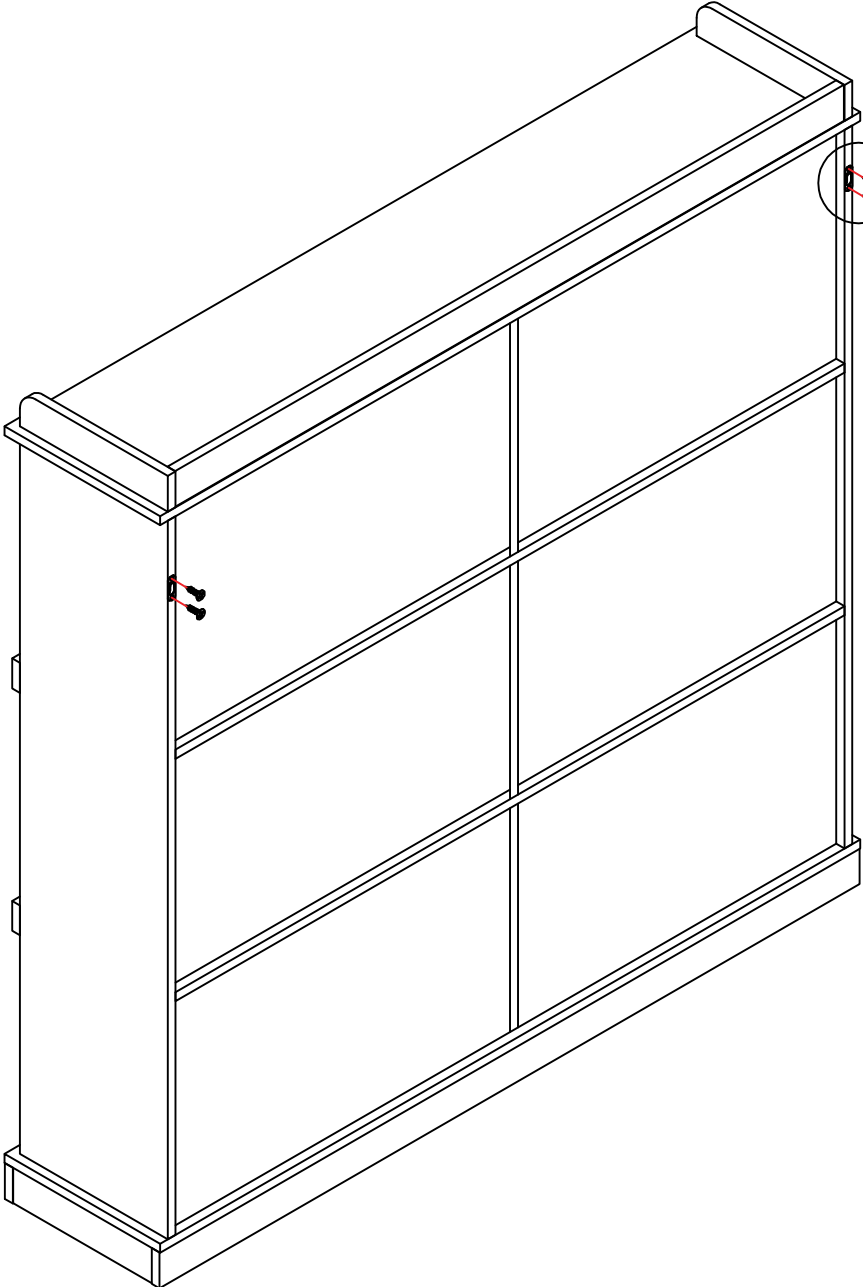
13

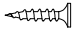

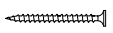
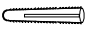
put B on board ⑤ ⑥



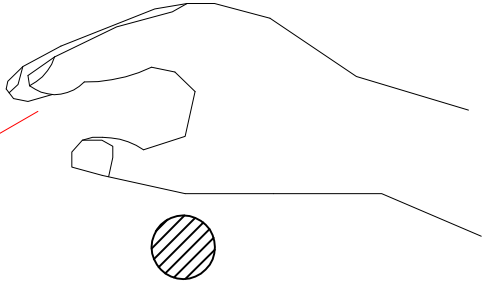
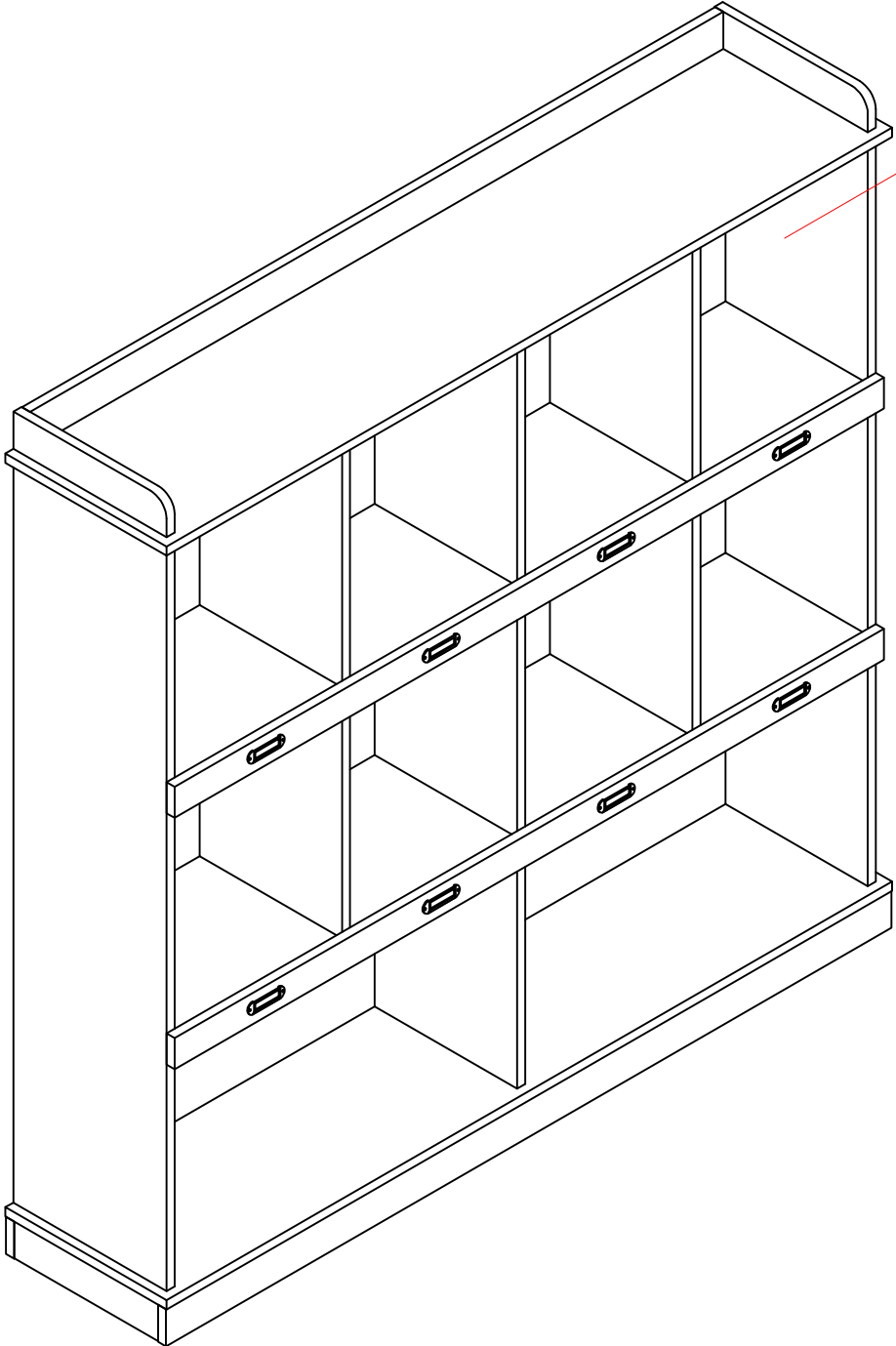
B*8

14

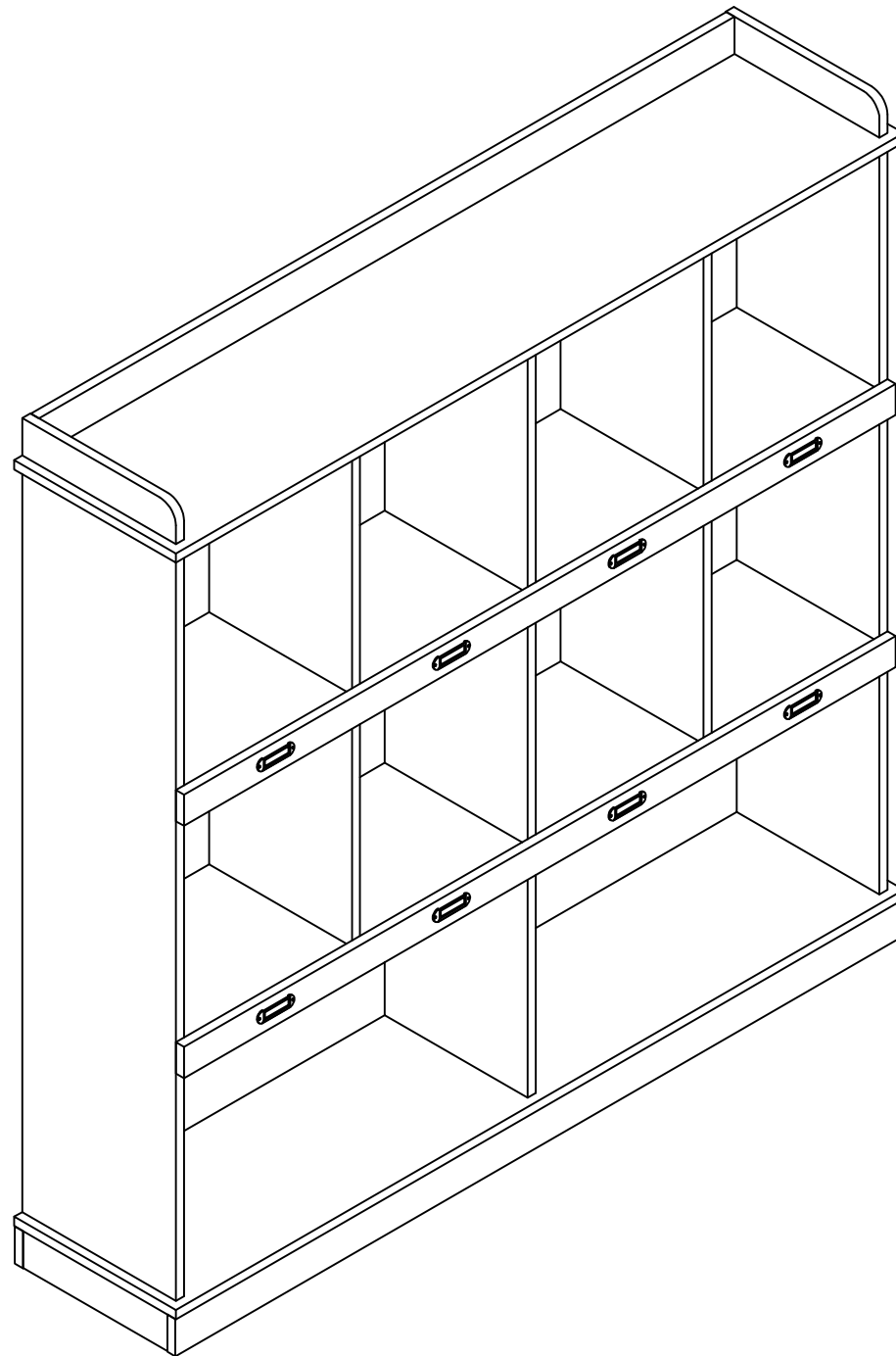


	L*4
	H*2
	I*2
	J*2

15



K*18



END