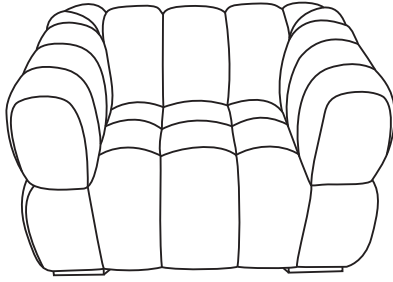
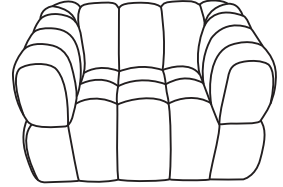


# ASSEMBLY INSTRUCTION

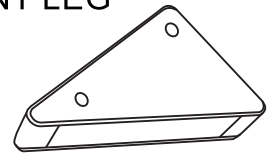


## + Parts Included

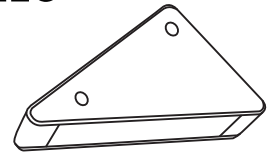
- ① CHAIR BASE  
1PC



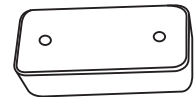
- ② CHROME FRONT LEG  
2PCS



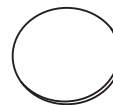
- ③ GOLD FRONT LEG  
2PCS



- ④ CHROME BACK LEG ⑤ GOLD BACK LEG  
2PCS 2PCS



- ⑥ FOOT PAD  
8PCS



## + Hardware Included

- A ALLEN WRENCH  
Ø5/16 \*66MM 1PC



- B BOLT  
M6\*70MM 8PCS



## + Do Not Use Power Tools



## + Suggested Adults



## NOTE:

- 1 Read instructions cover to cover.
- 2 Save all packaging until assembly is completed.

## 1 IMPORTANT SAFETY INFORMATION

**Do not** assemble the product if any of the following parts arrived damaged:

- Part # - Chair Base
- Part # - Chrome Front Leg
- Part # - Gold Front Leg
- Part # - Chrome Back Leg
- Part # - Gold Back Leg
- Part # - Foot Pad

**Do not** assemble if any of the following

Hardware parts missing:

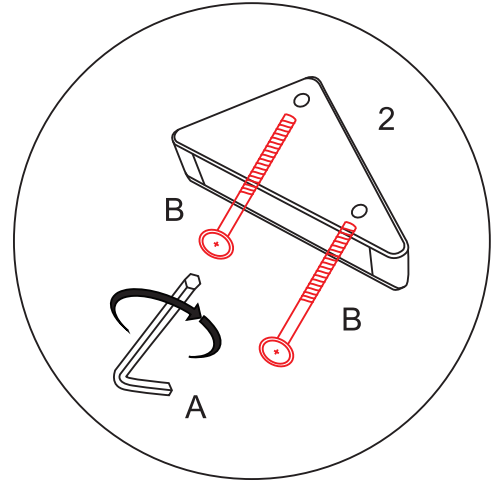
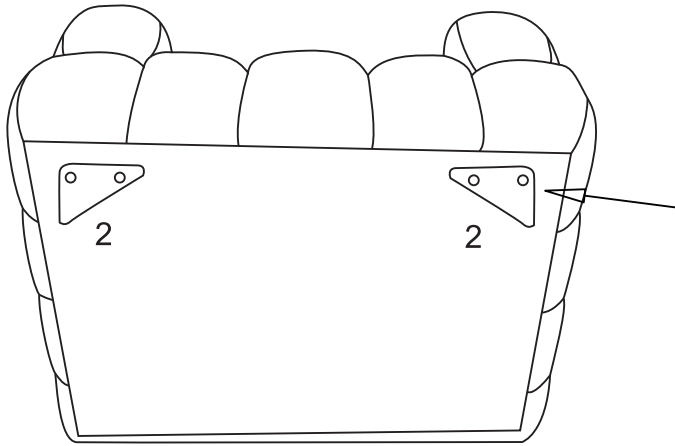
- Part # - Allen Wrench
- Part # - Bolt

## 2 IMPORTANT ASSEMBLY INFORMATION

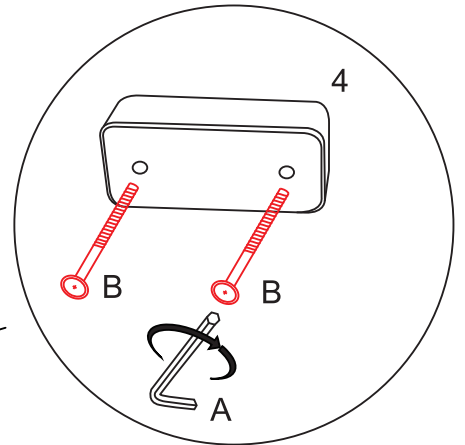
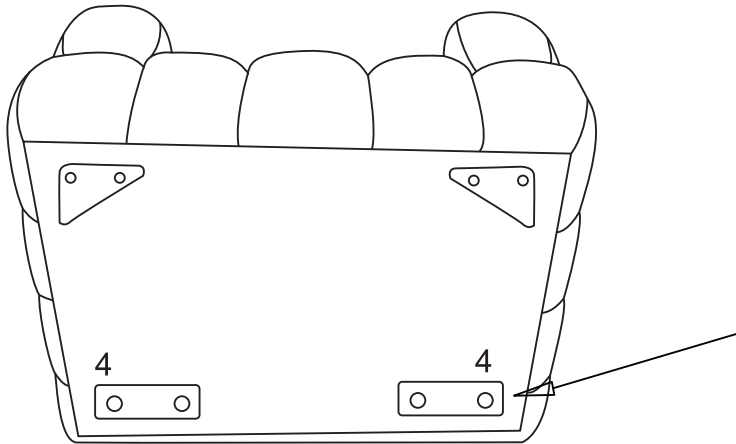
**Assembly Step** If loosening persists, please make sure to tighten all the bolts periodically, or use a thread locker adhesive.

# ASSEMBLY INSTRUCTION

1



2



3

