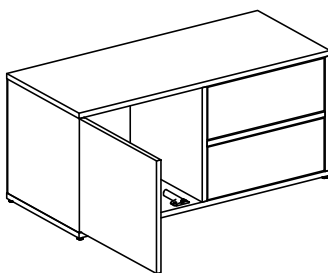
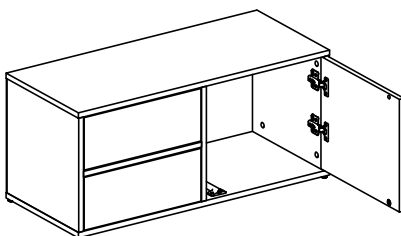
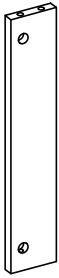


I

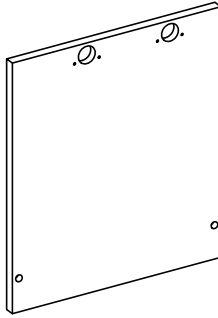


II

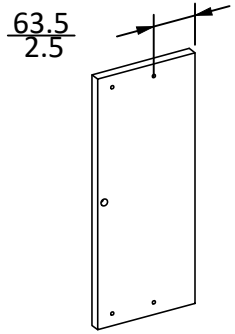




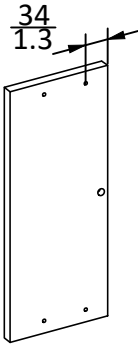
Ax1



Bx1



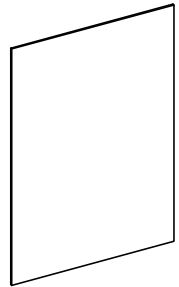
Cx1



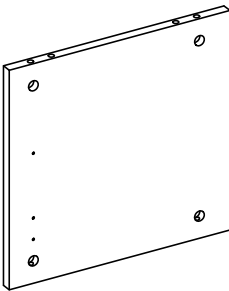
Dx1



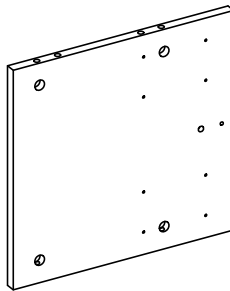
Ex2



Fx2



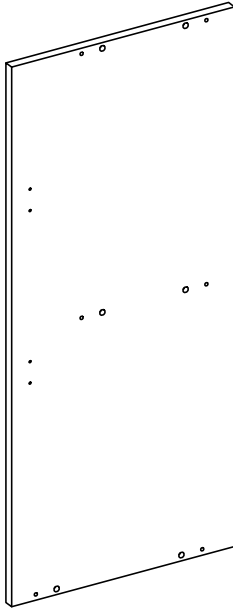
Gx1



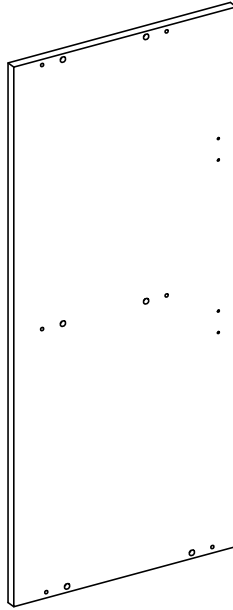
Hx2



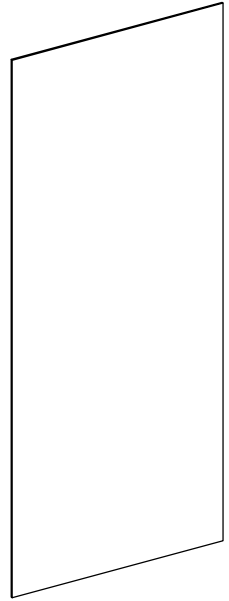
Ix4



Jx1  
 $\frac{801 \times 343}{31.5 \times 13.5}$



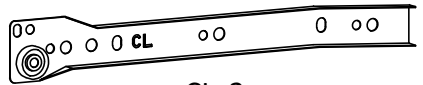
Kx1  
 $\frac{801 \times 343}{31.5 \times 13.5}$



Lx1



CRx2



CLx2



DRx2



DLx2



Mx30



Nx14



Ox30



Px8



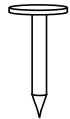
Qx12  
M3.5x  $\frac{15}{0.6}$



Rx22  
M3.5x  $\frac{12}{0.5}$



Sx3  
M2.5x  $\frac{12}{0.5}$



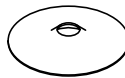
Tx30



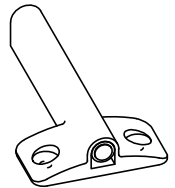
Ux6



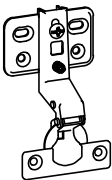
Vx3



Wx3



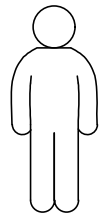
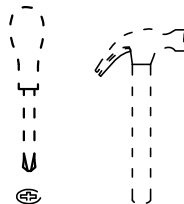
Xx3



Yx2



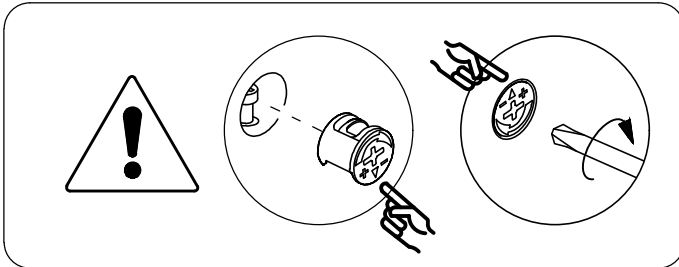
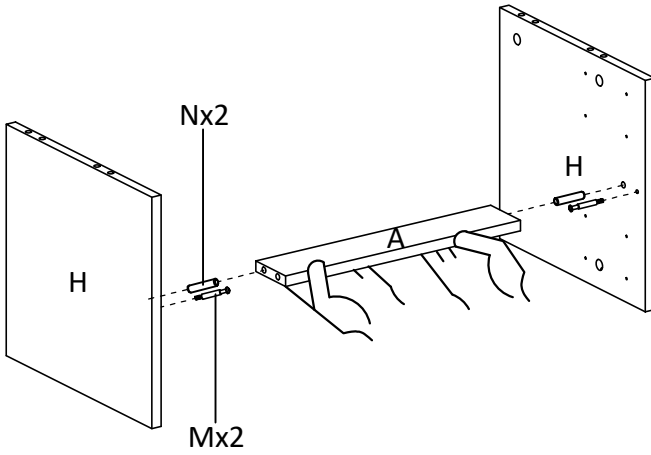
Zx2



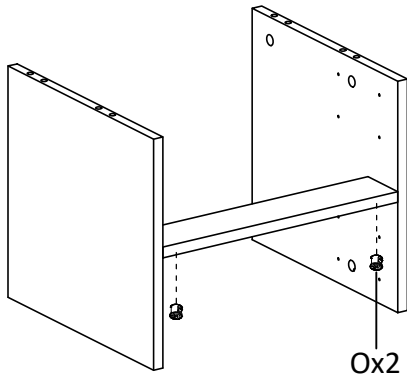
mm  
inch

x2

①

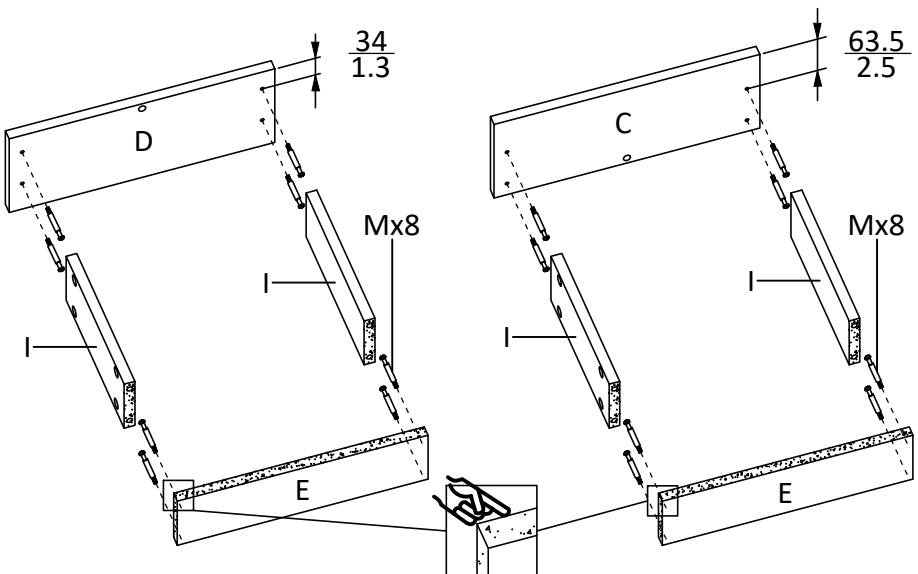


②

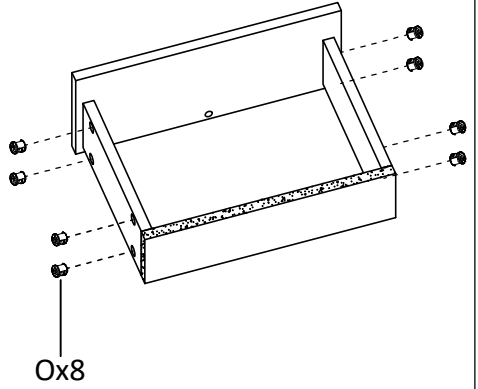
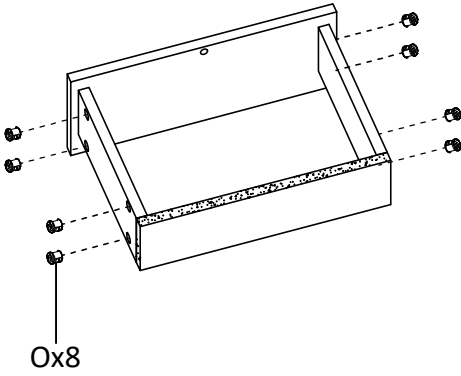


Ⓐ

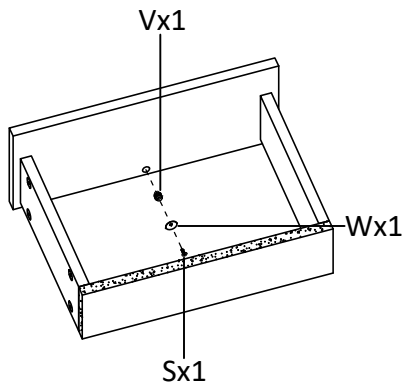
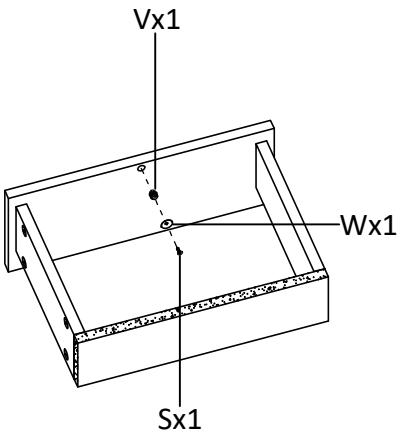
③



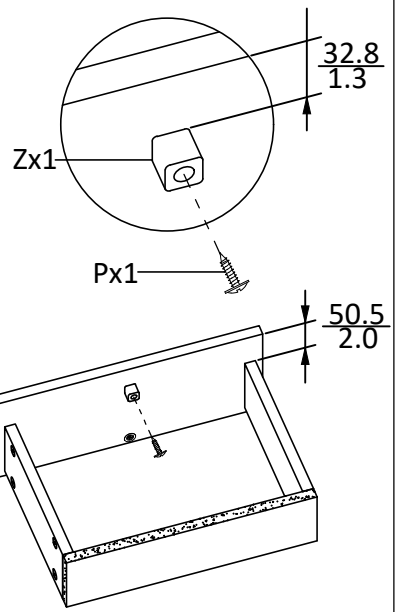
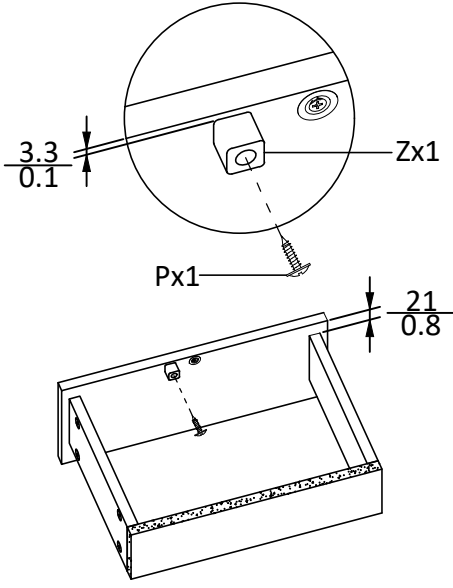
④



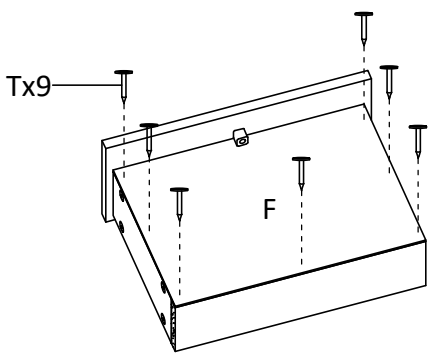
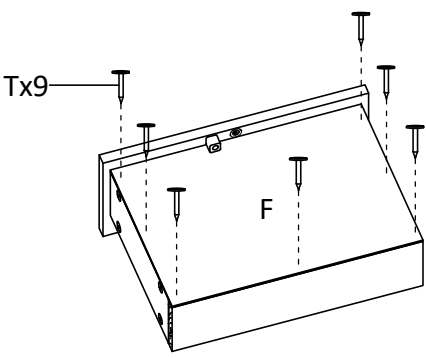
⑤



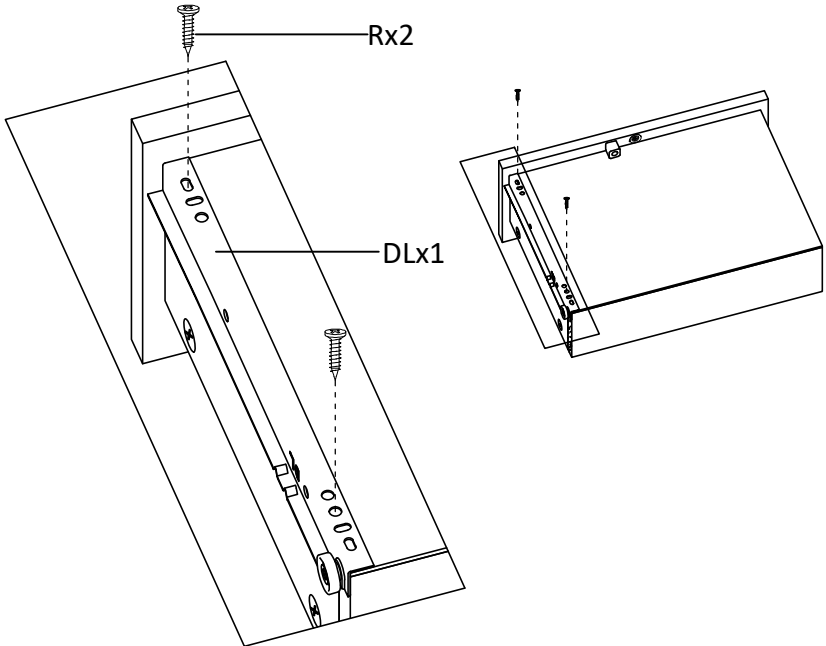
⑥



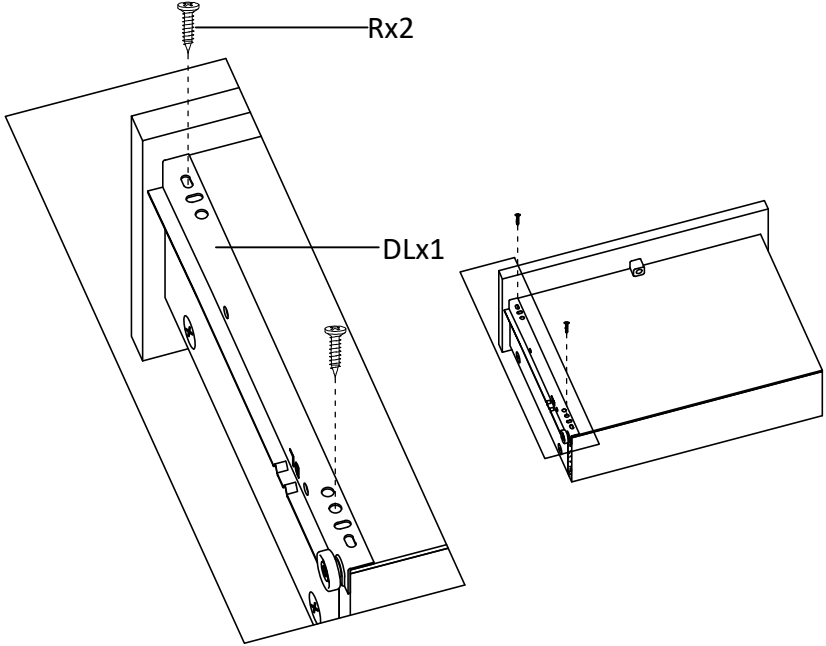
⑦



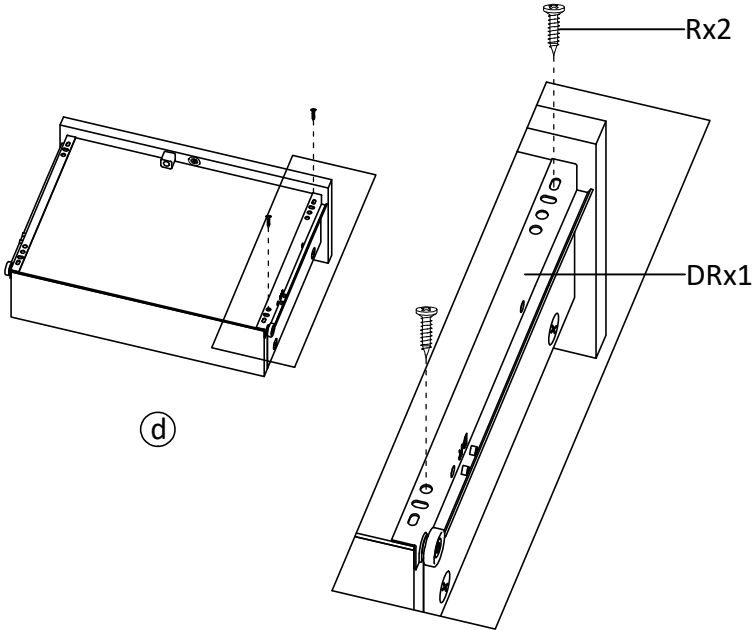
8



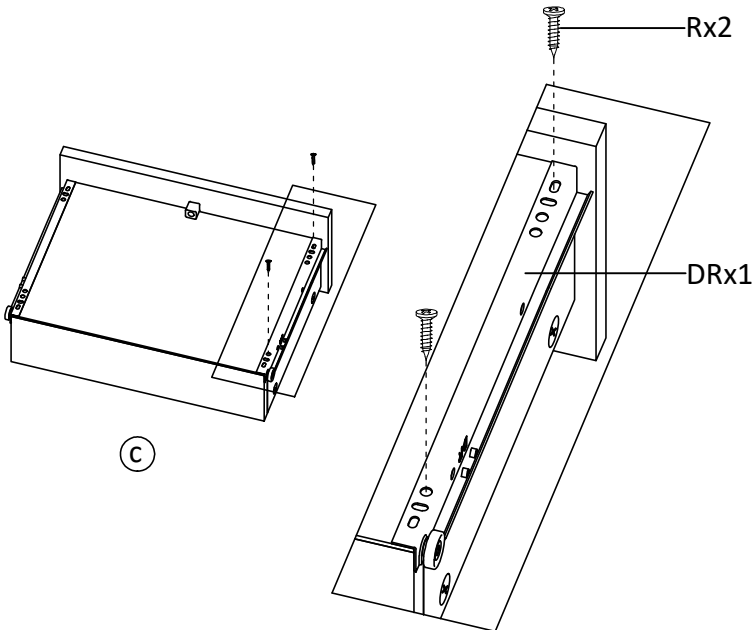
9

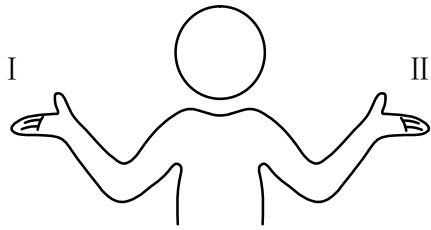


10

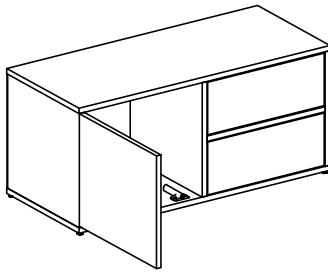


11

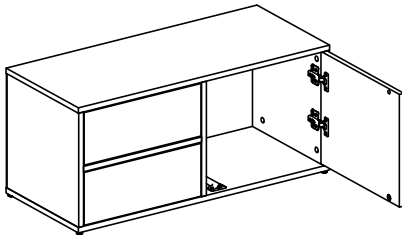




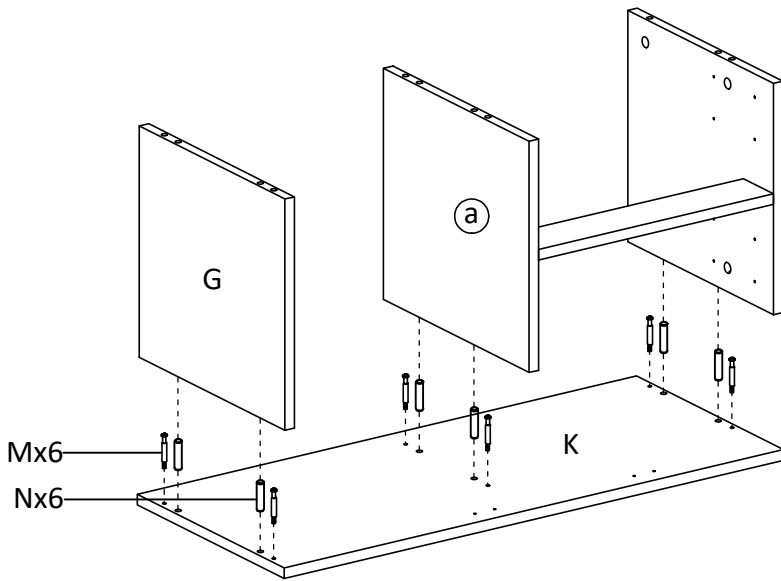
I



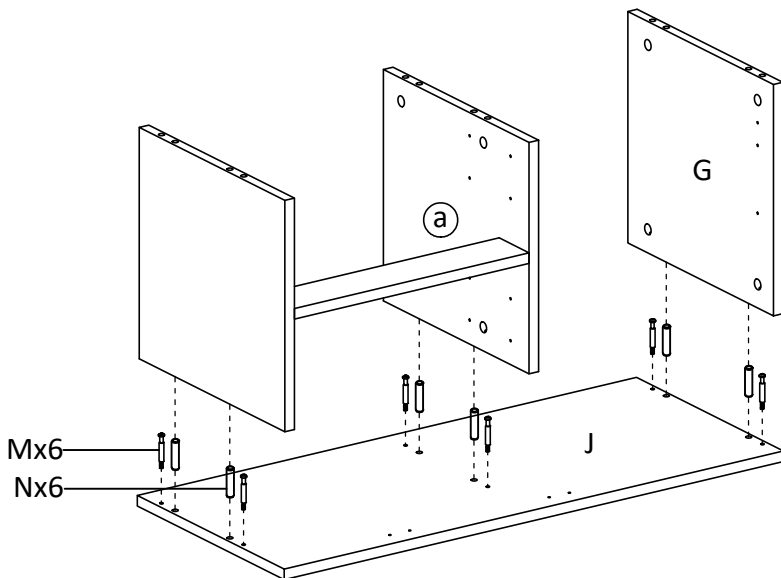
II



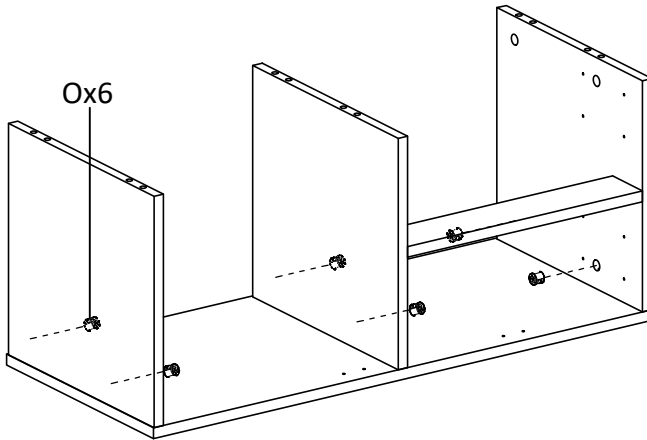
12-I



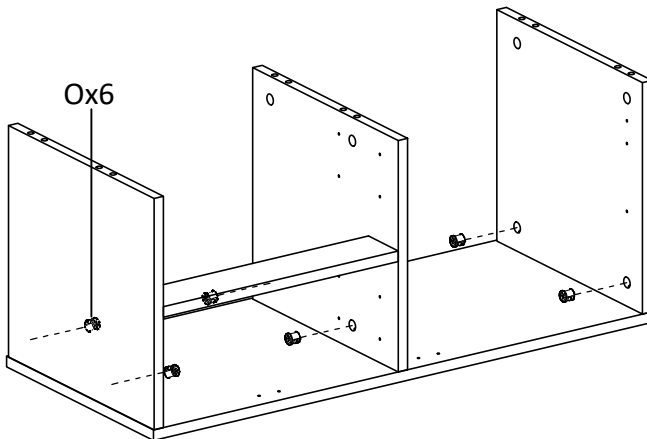
12-II



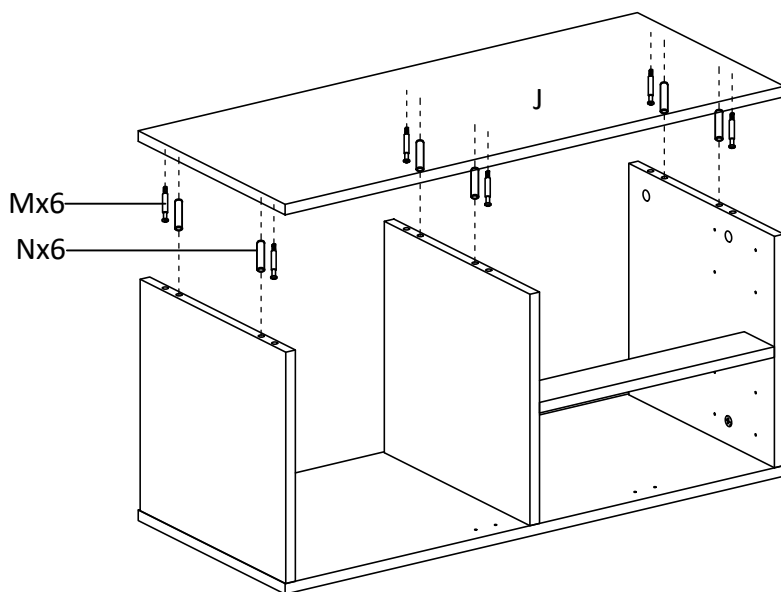
13-I



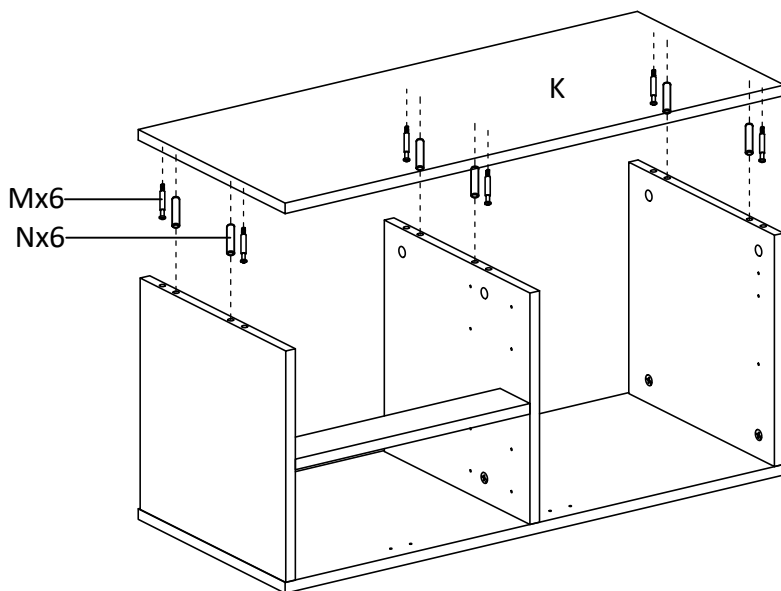
13-II



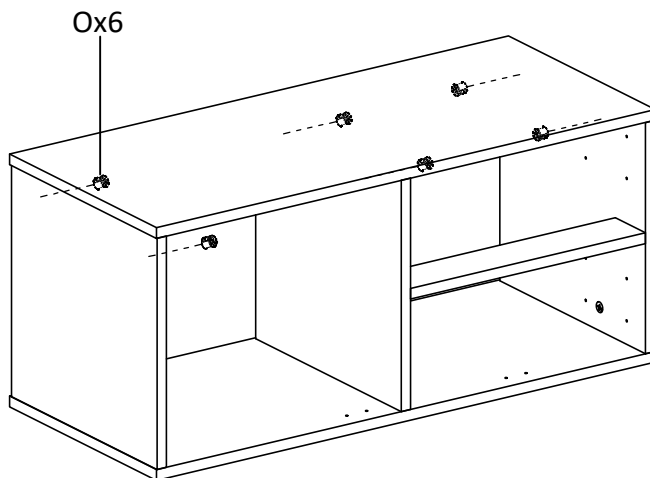
14—I



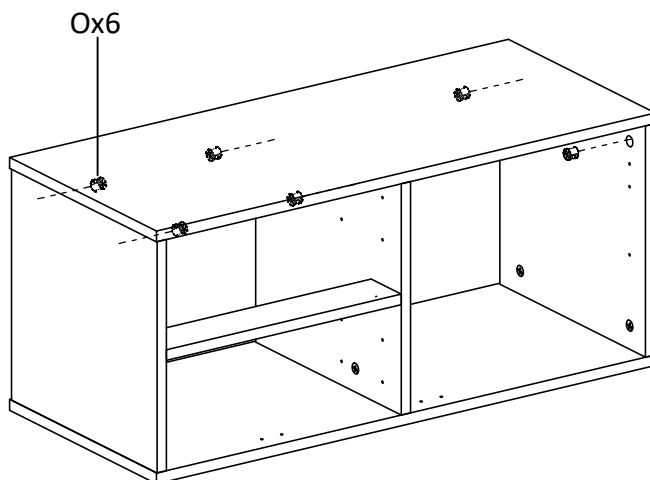
14—II



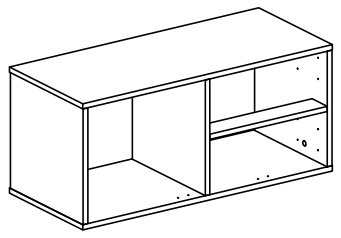
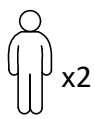
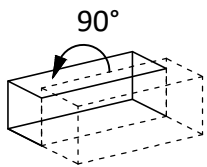
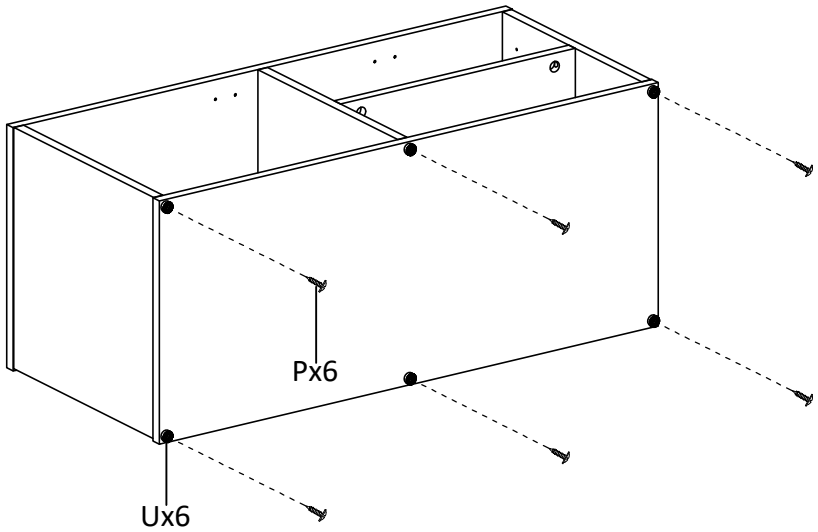
15-I



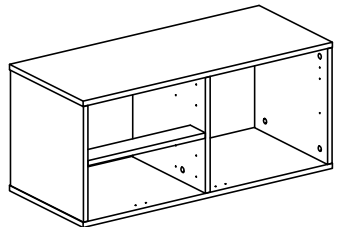
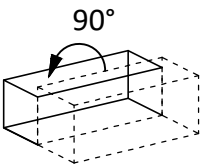
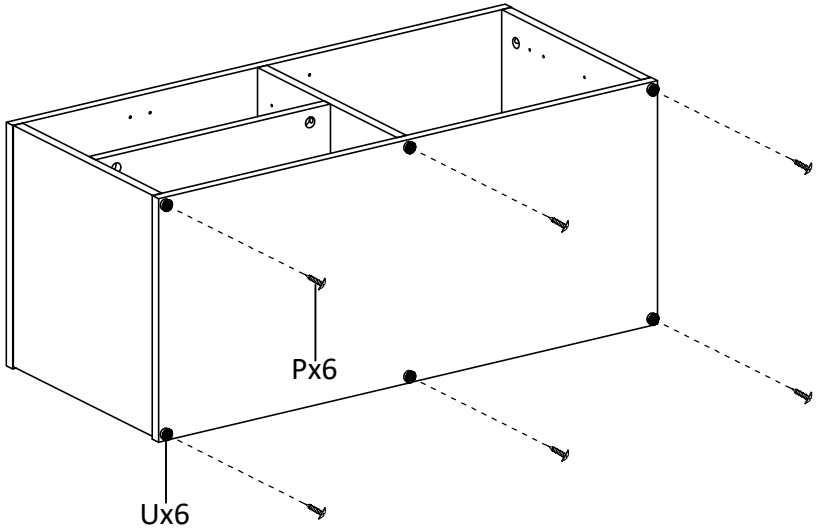
15-II



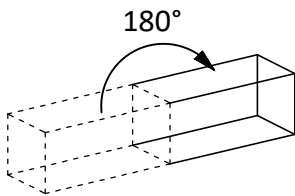
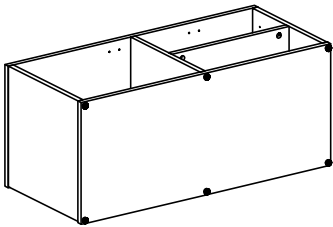
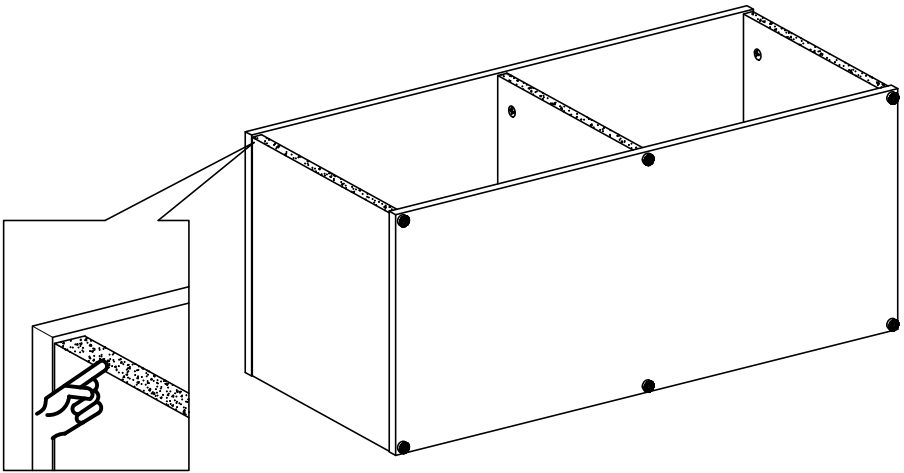
16-I



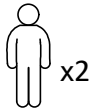
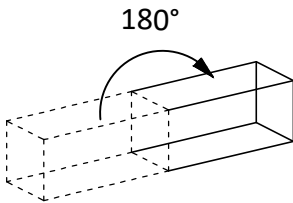
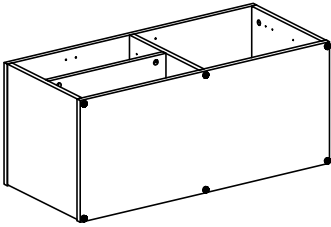
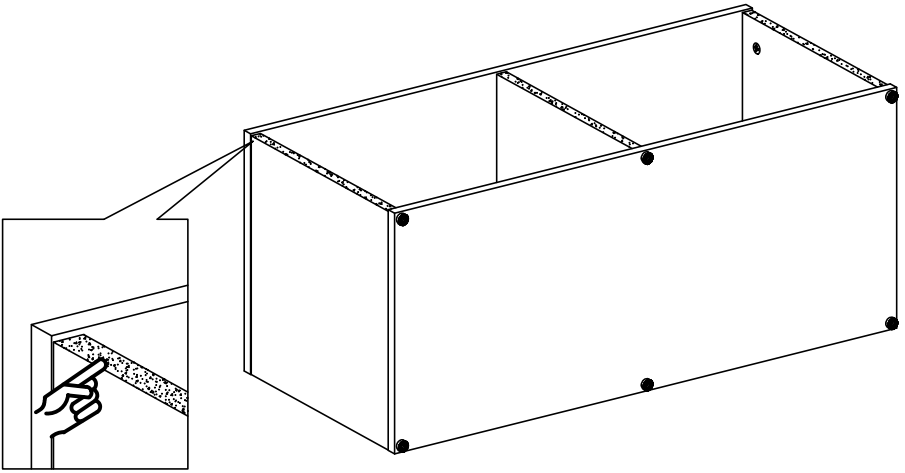
16—II



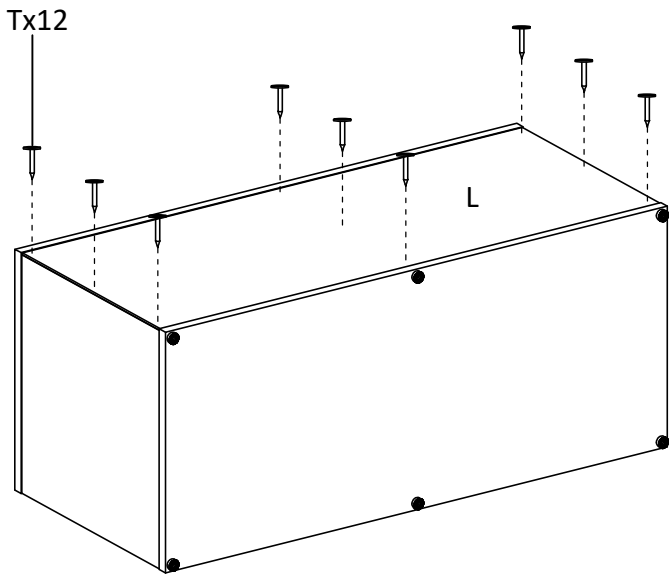
17-I



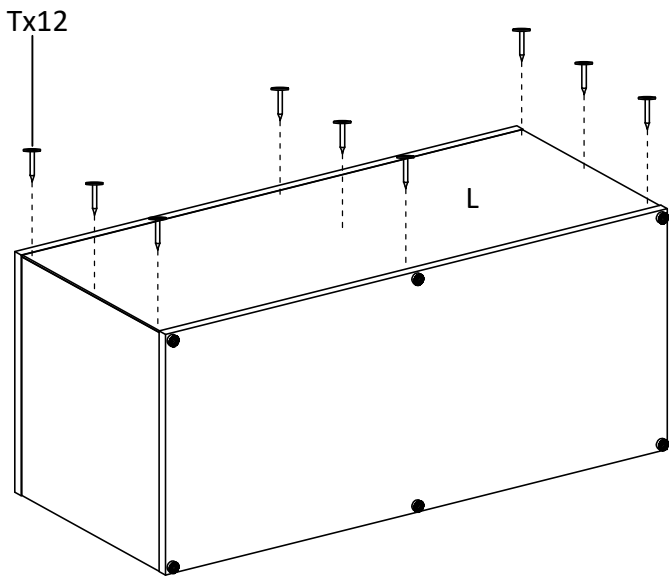
17—II



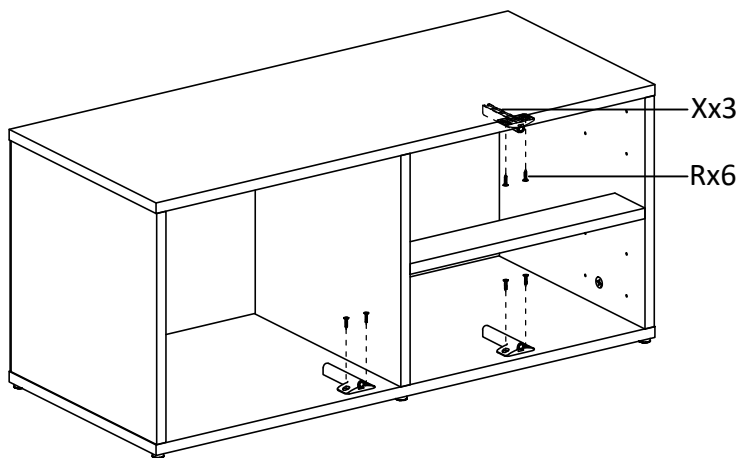
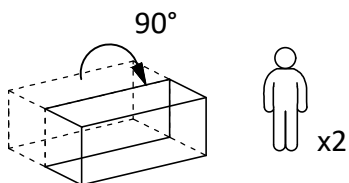
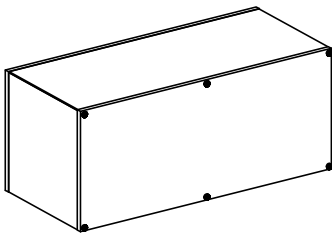
⑱-I



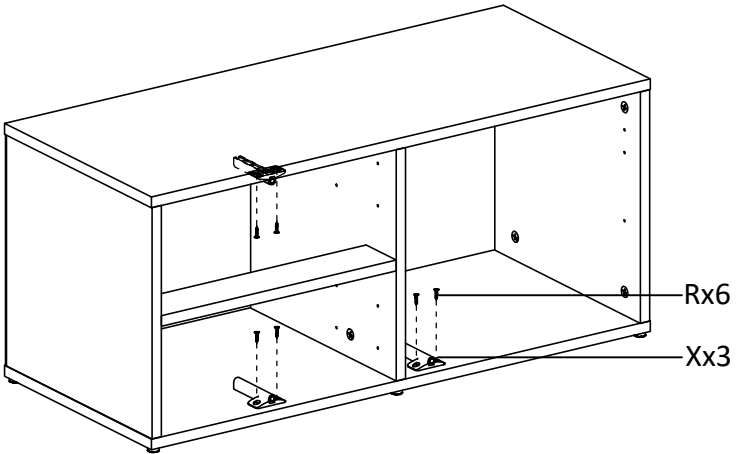
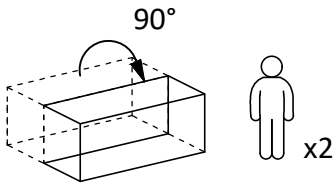
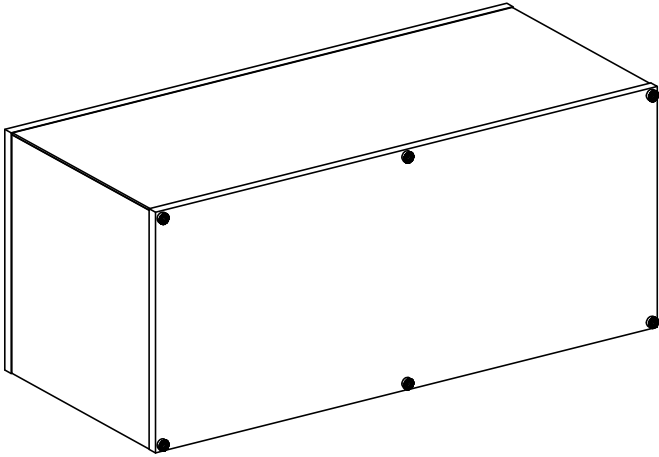
⑱-II



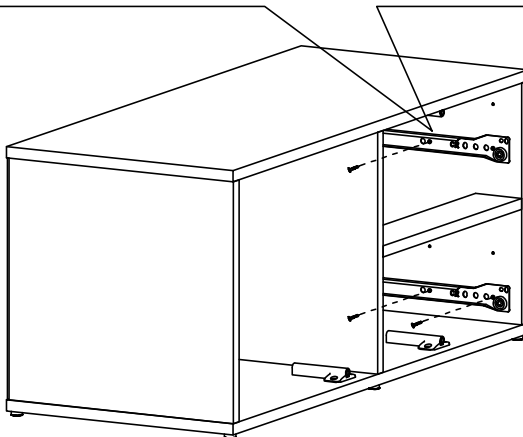
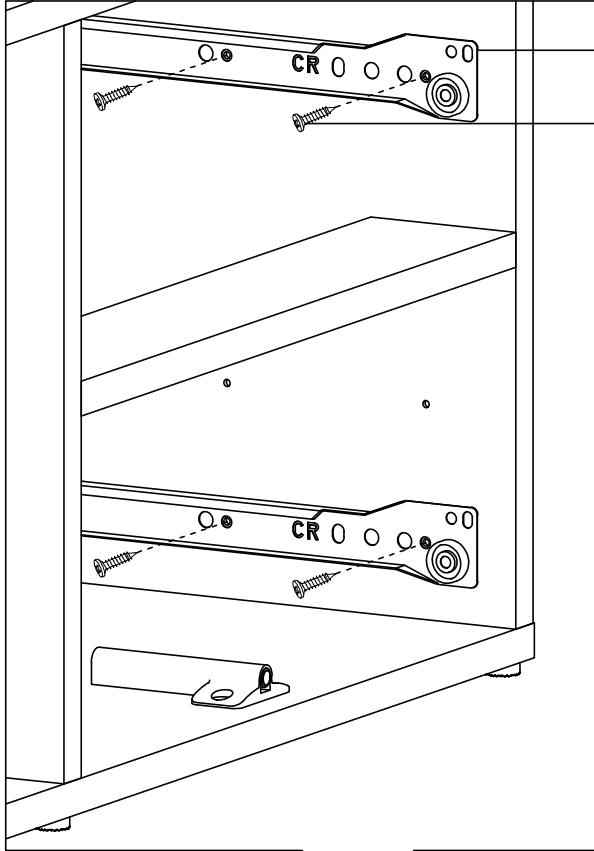
19-I



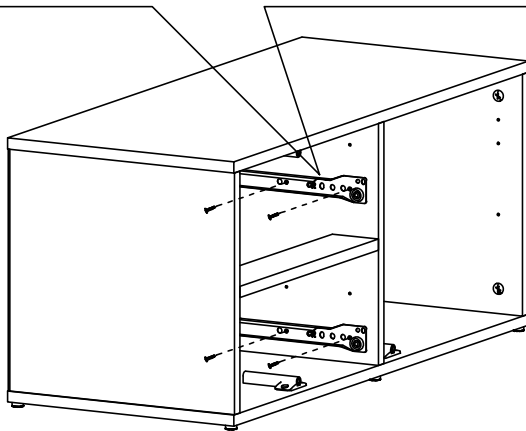
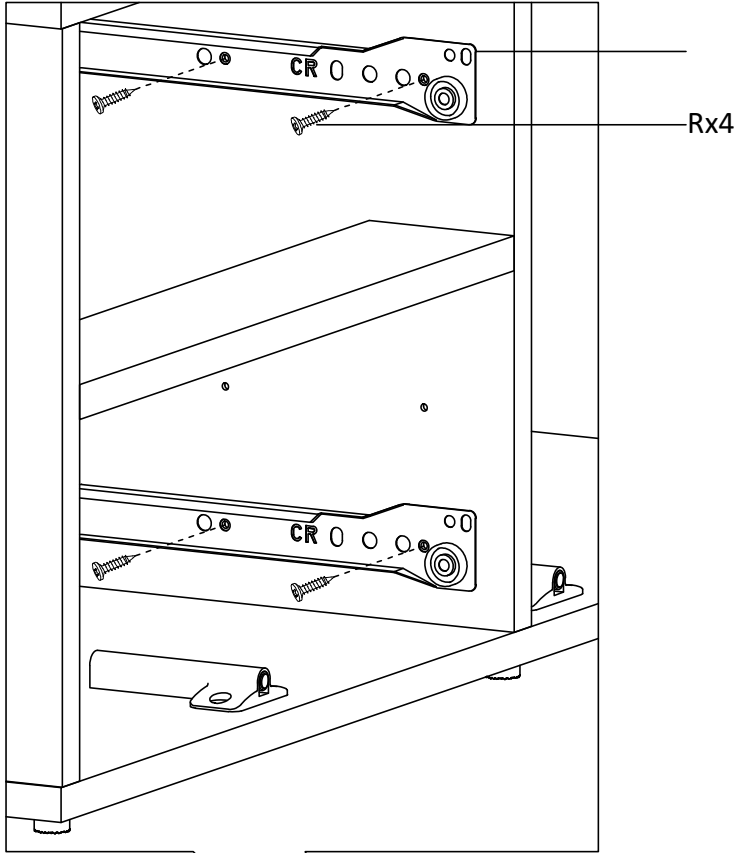
19—II



20-I



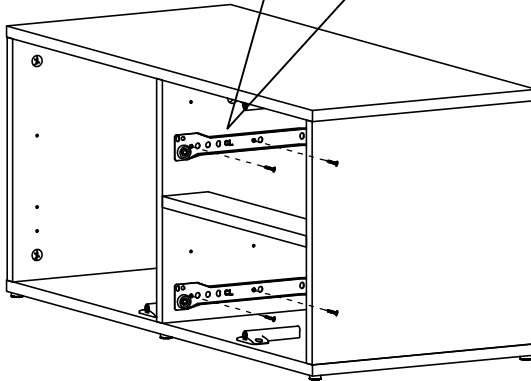
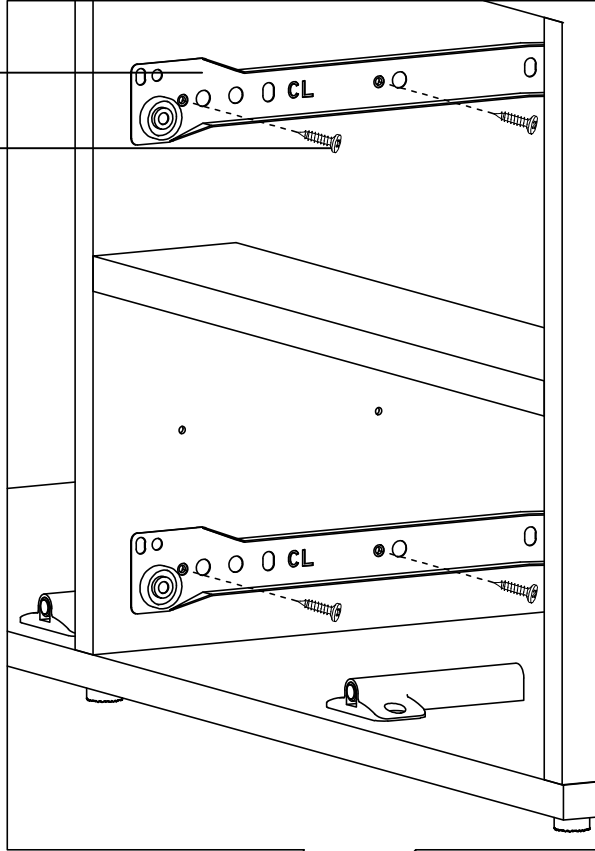
20—II



21-I

CLx2

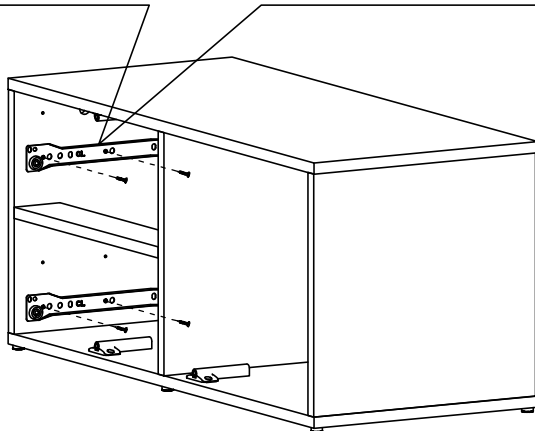
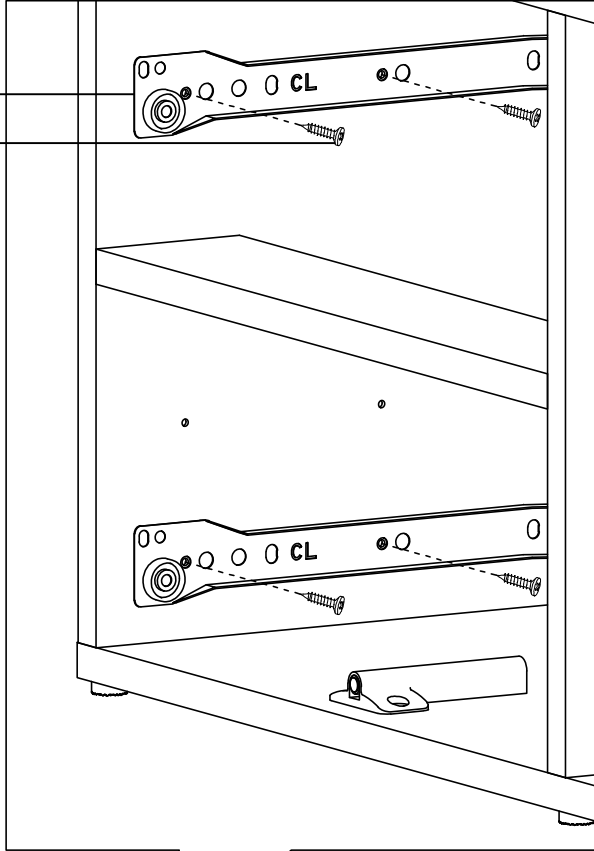
Rx4



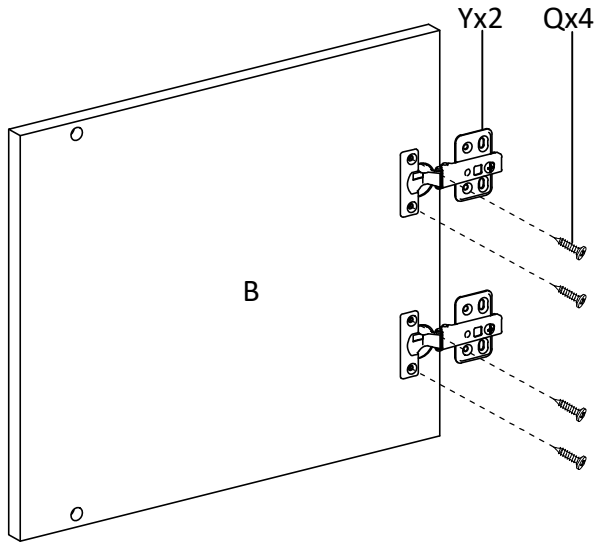
②1 — II

CLx2

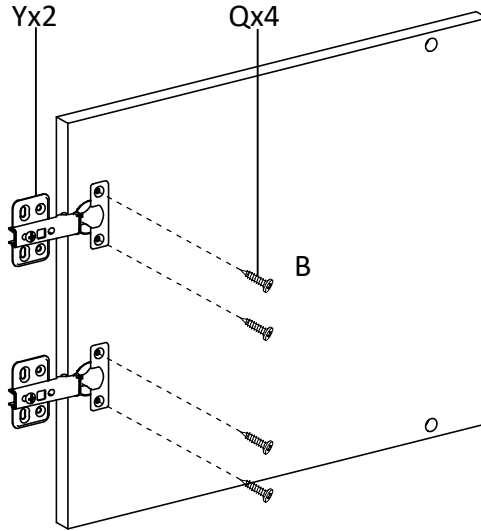
Rx4



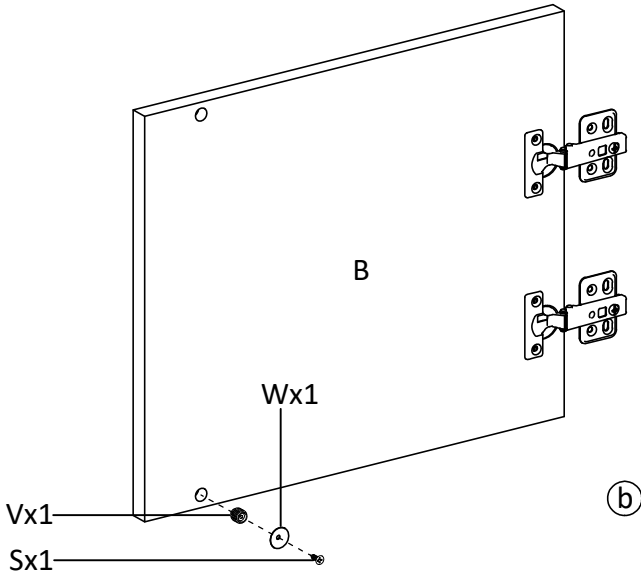
22-I



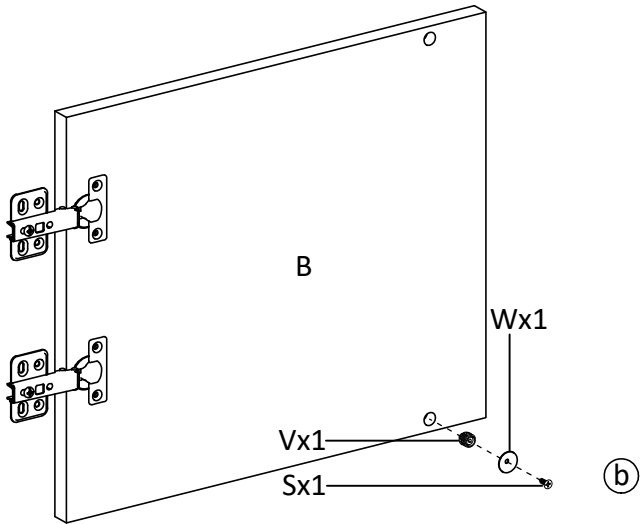
22-II



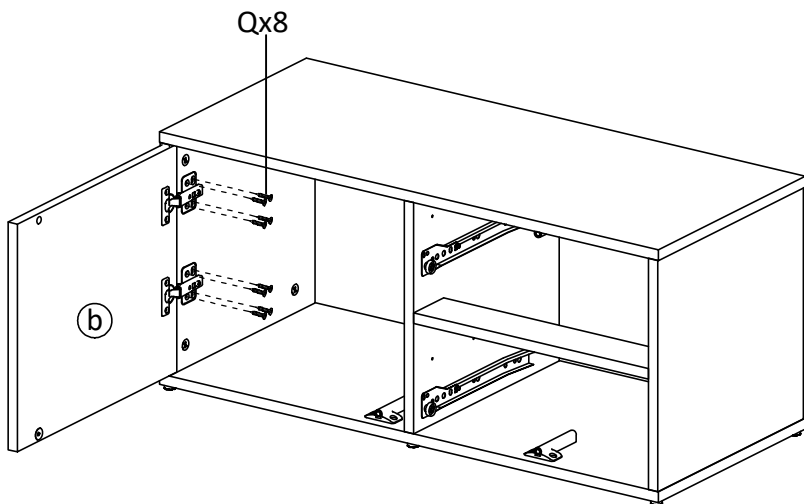
23-I



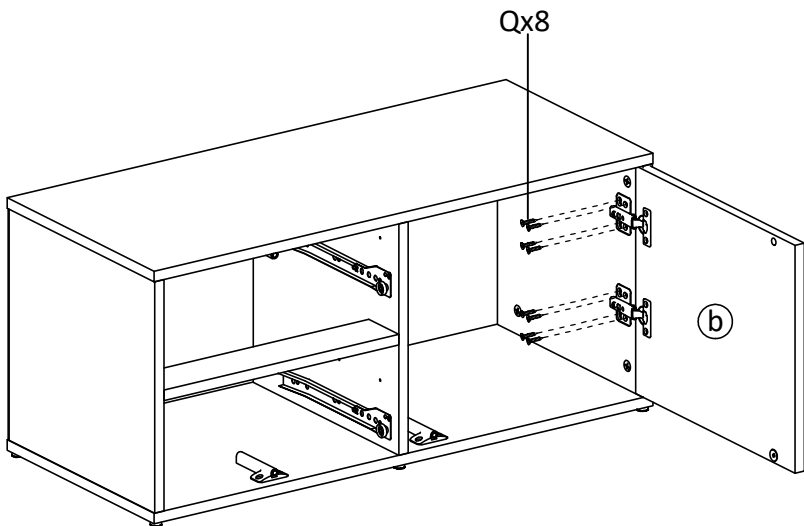
23-II



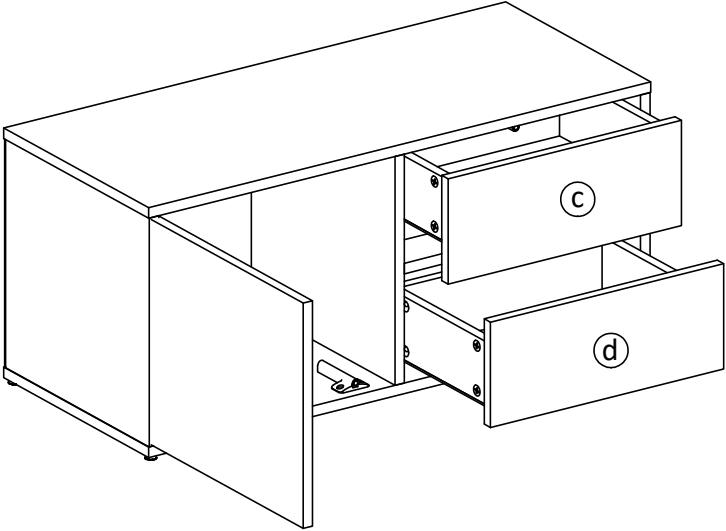
24—I



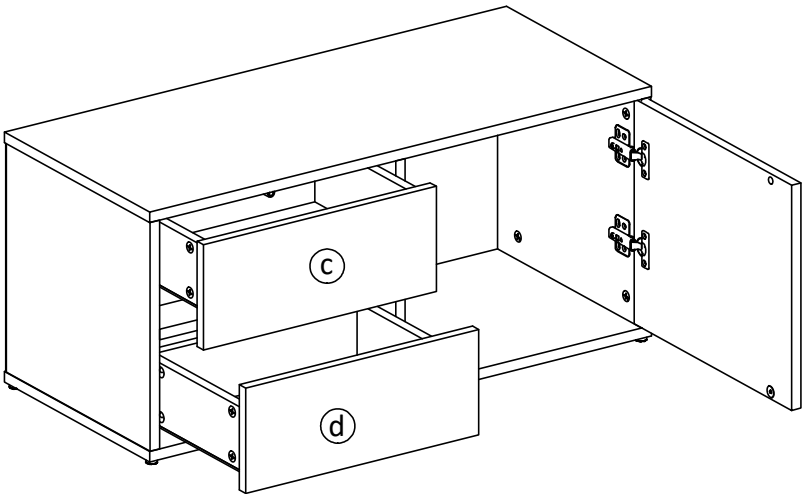
24—II



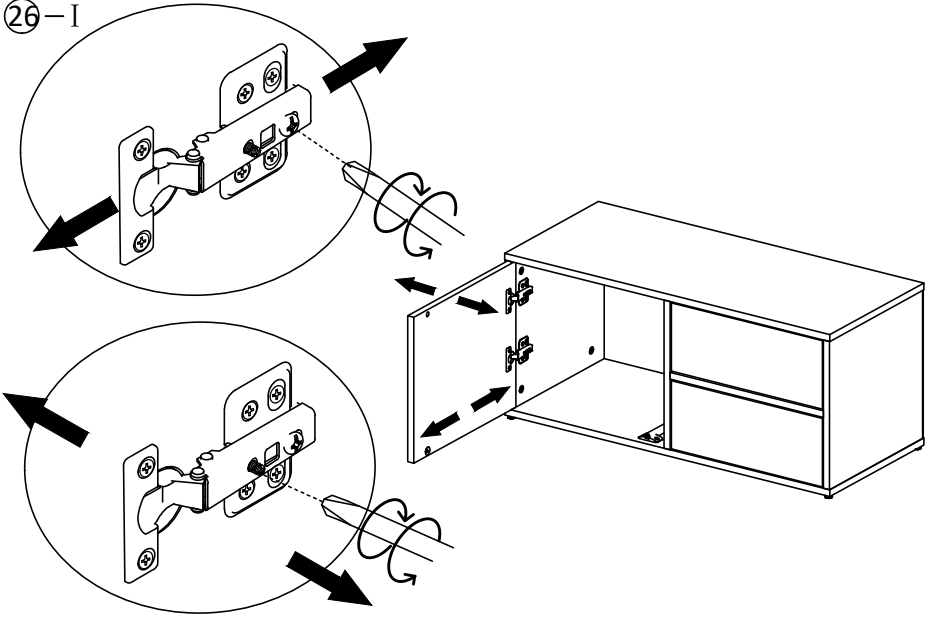
25—I



25—II



26-I



26-II

