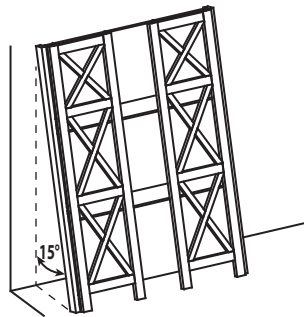
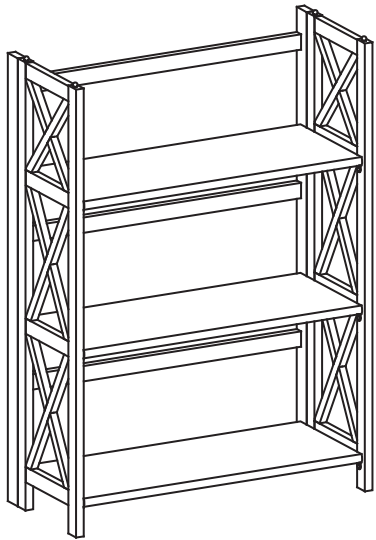


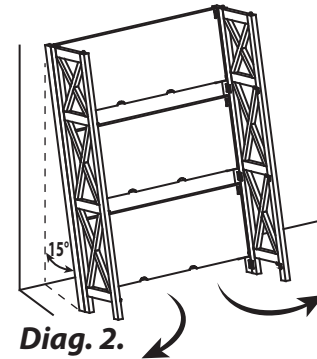
ASSEMBLY INSTRUCTION

3-Shelf Folding Bookcase



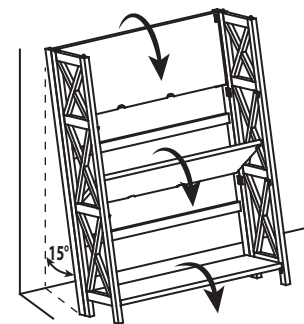
Diag. 1.

Step 1: Gently lean the closed bookcase against the wall with a slight tilt to the back as per **Diag. 1.**



Diag. 2.

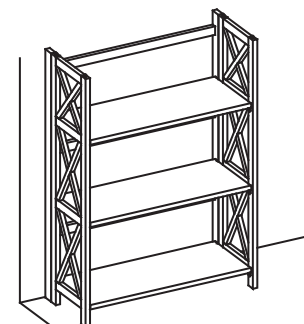
Step 2: Open side panels as per **Diag. 2.**



Diag. 3.

Step 3: While they are opened lower each shelf as per **Diag. 3.**


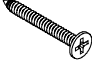
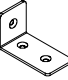
Make sure each shelf rests on the metal clip one on each side of the side panels.



Diag. 4.

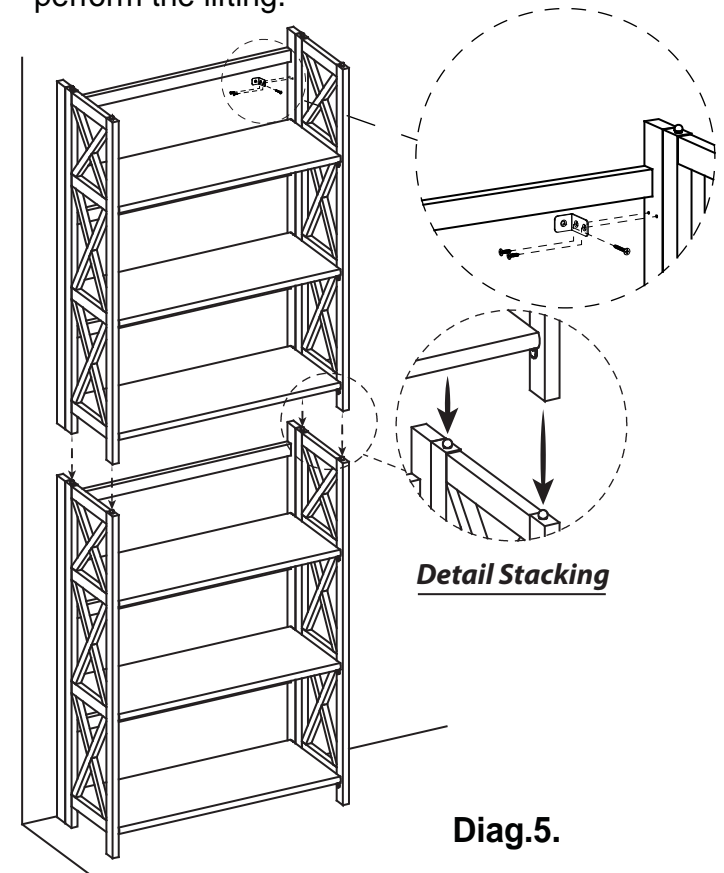
Step 4: Stand the bookcase to its upright position as per **Diag. 4.**

List of Hardware

NO	DESCRIPTION	Q'TY
RF10004	 Screws F6 x 5/8"	4
RF10002	 Screws F6 x 1 1/4"	2
RF50003	 L-Bracket	2

STACKABLE OPTION

CAUTION, highly recommended that with two people perform the lifting.



Detail Stacking

Diag.5.

Gently lift the second bookcase and place it on top of the first as per **Diag.5.**

The ball like tip should securely fit into each hole at the bottom of the bookcase.

Use 1-2 L-brackets (RF50003) and screws F6 x 5/8" (RF10004) to attach two side panels to the studs in the wall, using screws F6 x 1 1/4" (RF10002) as per **Diag. 5.**