










INSTALLATION INSTRUCTIONS

Read these instructions carefully.
Ensure that all parts are complete
before assembling.

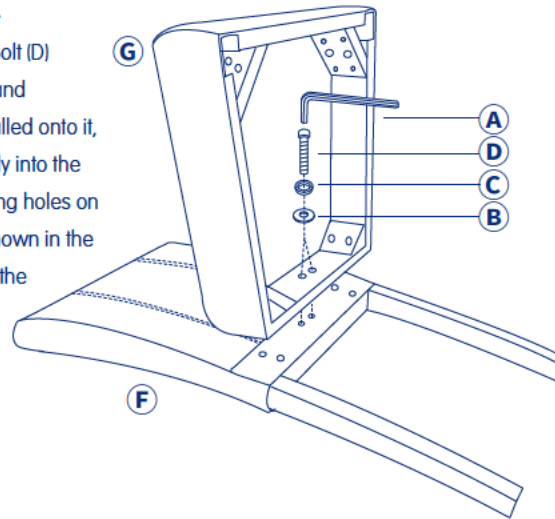
- (A)**  Allen Key x1
- (B)**  Flat Washer x10
- (C)**  Spring Washer x10
- (D)**  M6*50 Bolt x6
- (E)**  M6*80 Bolt x4
- (F)**  Chair Back x1
- (G)**  Chair Seat x1
- (H)**  Front Leg x2
- (I)**  Foot Pad x4

Step 1

Using the Allen Key (A),
assemble the M6*50 Bolt (D)
with a Flat Washer (B) and
Spring Washer (C) installed onto it,
and insert the assembly into the
corresponding mounting holes on
the Chair Back (F) as shown in the
diagram. Then tighten the
bolt (D) to 75% .



Tighten to 75%

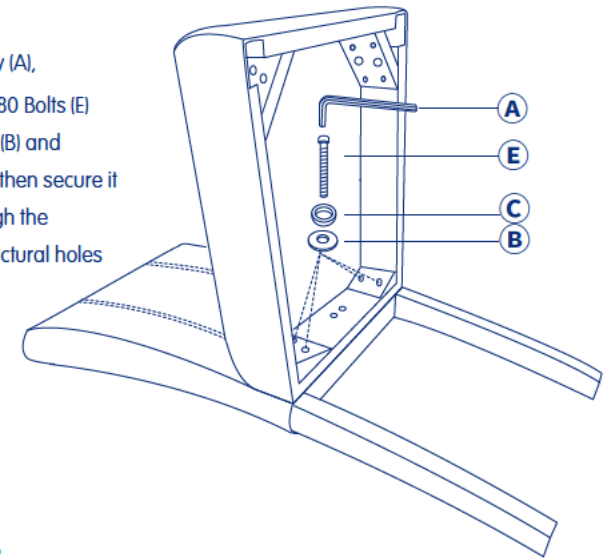


Step 2

Using the Allen Key (A),
assemble the M6*80 Bolts (E)
with a Flat Washer (B) and
Spring Washer (C), then secure it
into position through the
corresponding structural holes
on the chair back.
Then tighten the
bolt (E) to 75% .



Tighten to 75%

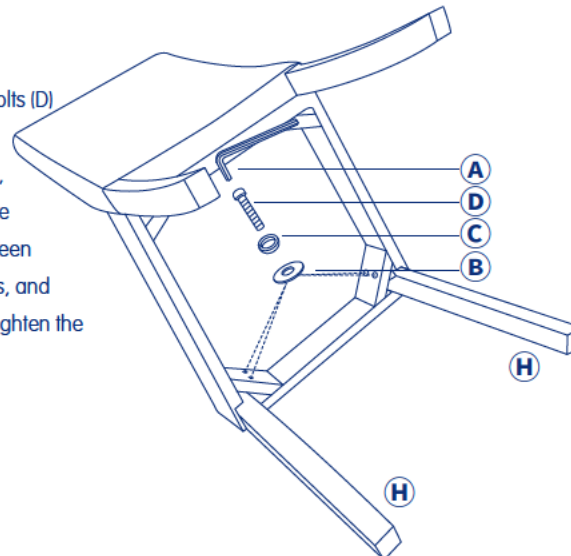


Step 3

Using the Allen Key (A),
assemble the M6*50 Bolts (D)
with Flat Washers (B)
and Spring Washers (C),
then install them into the
connection points between
the chair seat, front legs, and
chair back as shown. Tighten the
bolts(D) to 75%.



Tighten to 75%



Step 4

Ensure the chair is stable
on the ground and doesn't
require any adjustments,
then tighten all screws
to 100%.



Tighten to 100%

