

ASSEMBLY INSTRUCTION

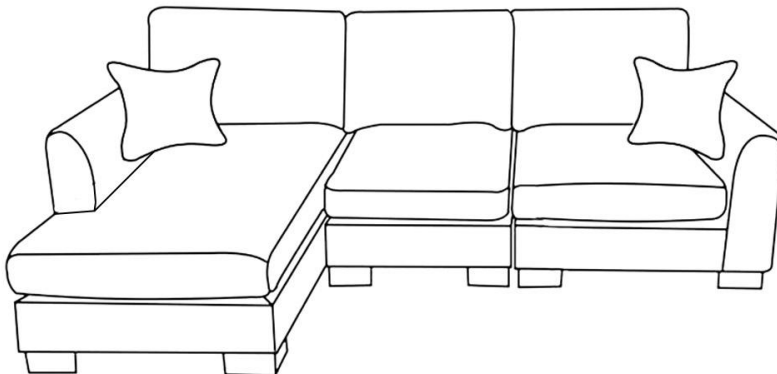
N723P210200

N723P210201

N723P210202

Friendly Reminder:

- 1.This sofa is packed in 3 boxes. Please assemble it After all boxes are received.
- 2.As the cushions are all vacuum compressed,there will be some wrinkles. Please give your cushions up to 72 hours to reach its original size and the wrinkles will basically disappear.
- 3.Please do not open the compressed packages until your sofa frame is completely assembled.

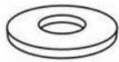
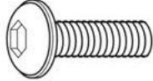
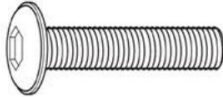



Return & Warranty policy:


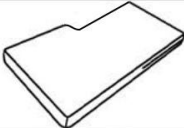
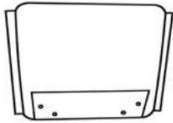
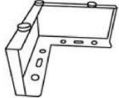
- We strive to offer the highest quality products,and we also try our best to satisfy each and every customer that orders from us with replacement parts or service as needed.
- If the item is damaged or defective, please take photos as evidence for replacements and refunds.
- Please do not return to store,contact the seller if you have any troubles with this product.

ASSEMBLY INSTRUCTION

HARDWARE N723P210200







NO	DESCRIPTION	SKETCH	QTY
1	Washer		20
2	Screws 6X16		26
3	Screws 8X35		20
4	Wrench		1

PARTS LIST N723P210200

NO	DESCRIPTION	SKETCH	QTY
A	Chaise frame		1
F	Chaise cushion		1
E	Back frame		3
K	Leg		13

ASSEMBLY INSTRUCTION

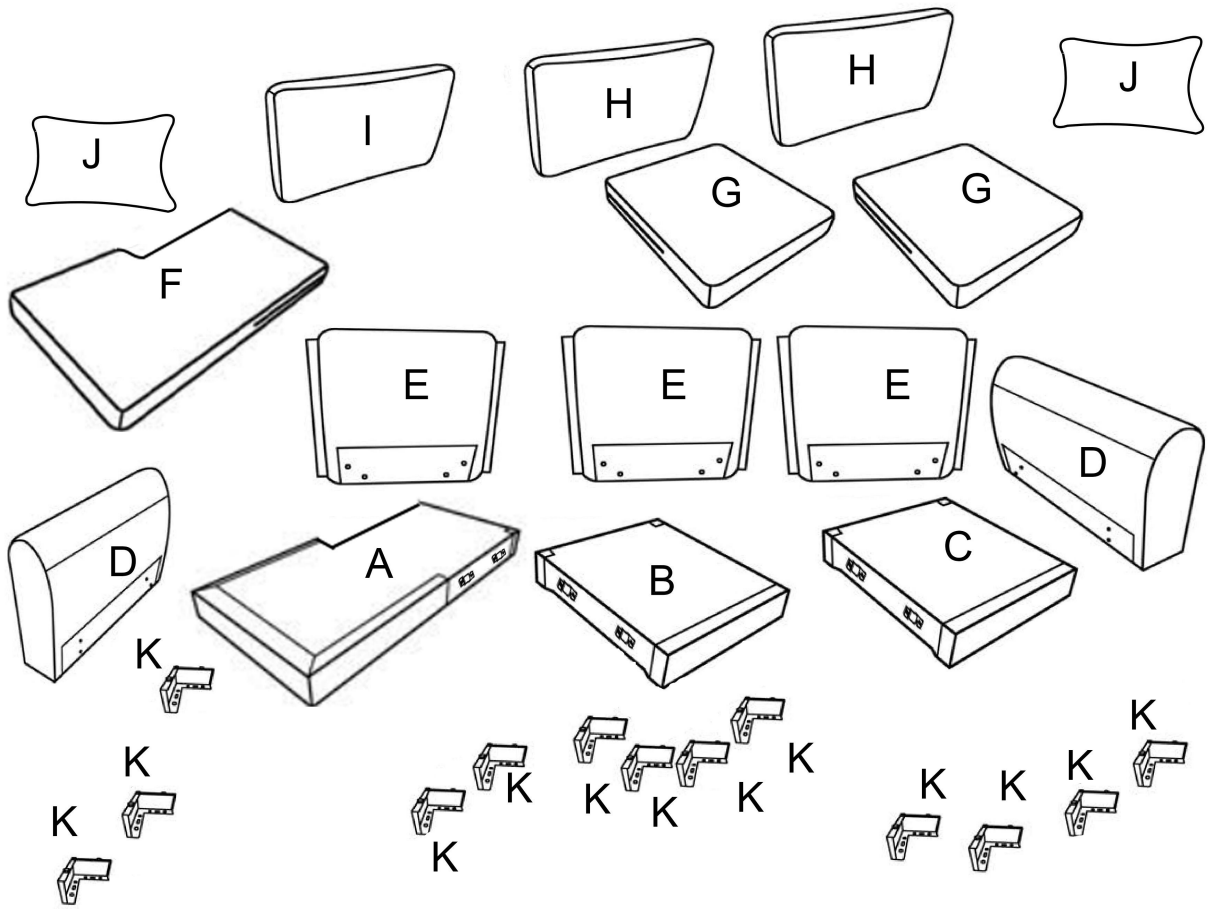
PARTS LIST N723P210201


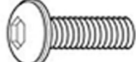
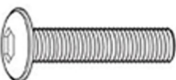

NO	DESCRIPTION	SKETCH	QTY
C	Seat frame (right)		1
B	Seat frame(middle)		1
G	Seat cushion		2
I	Back cushion(short)		1
H	Back cushion		2
J	Throw pillow		2

PARTS LIST N723P210202

NO	DESCRIPTION	SKETCH	QTY
D	Armrest frame		2

All parts and hardwares






- 1  20×Washers
- 2  26×Screws 6×16mm
- 3  20×Screws 8×35mm
- 4  1×Wrench

NOTE:

Take out of all parts from 3 boxes, make sure all parts you have received before assemble them.

DIAGRAM 1 (Assemble the Armrest frame to the Seat frame (right))
 Connect the Armrest frame(Part D) to the Seat frame(right) (Part C) with the
 Screws M8X35mm(Hardware 3) and the Washers(Hardware 1) by Wrench
 (Hardware 4).

1		4PCS
3		4 PCS
4		1PC

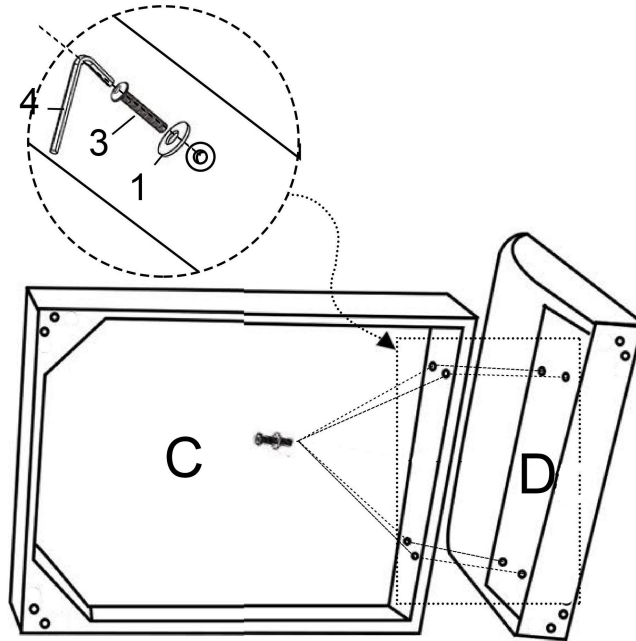


DIAGRAM 2 (Assemble the Armrest frame to the Chaise frame)
 Connect the Armrest frame(Part D) to the Chaise frame(Part A) with the Screws
 M8X35mm(Hardware 3) and the Washers(Hardware 1) by Wrench(Hardware 4).

1		4PCS
3		4 PCS
4		1PC

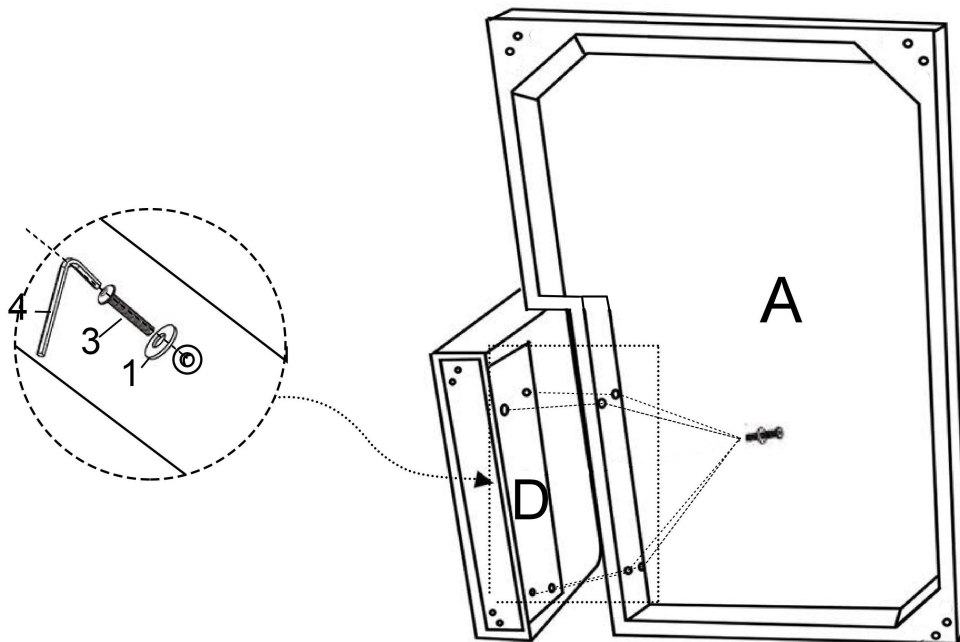




DIAGRAM 3 (Assemble the Legs)

Tighten 4 Legs (Part K) with Screws M6×16mm (Hardware 2) by Wrench (Hardware 4).

2		10PCS
4		1PC
K		5PCS

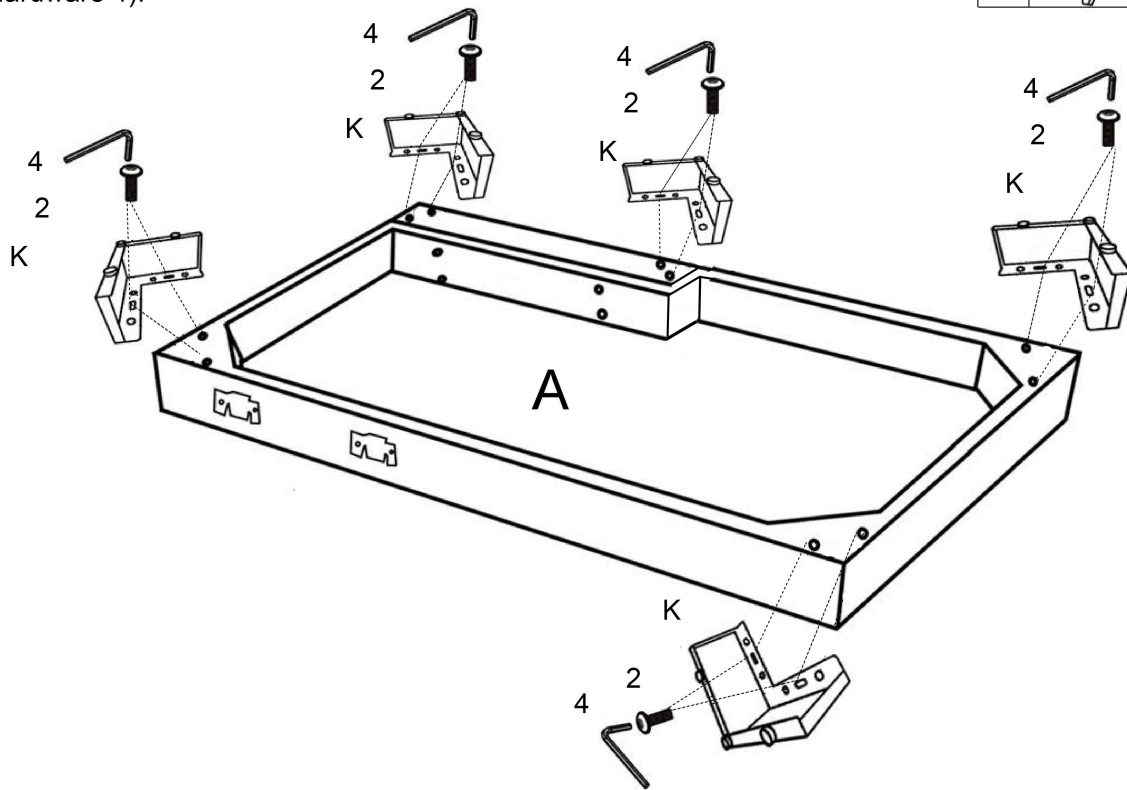


DIAGRAM 4 (Assemble the Legs)

Tighten 4 Legs (Part K) with Screws M6×16mm (Hardware 2) by Wrench (Hardware 4).

2		8PCS
4		1PC
K		4PCS

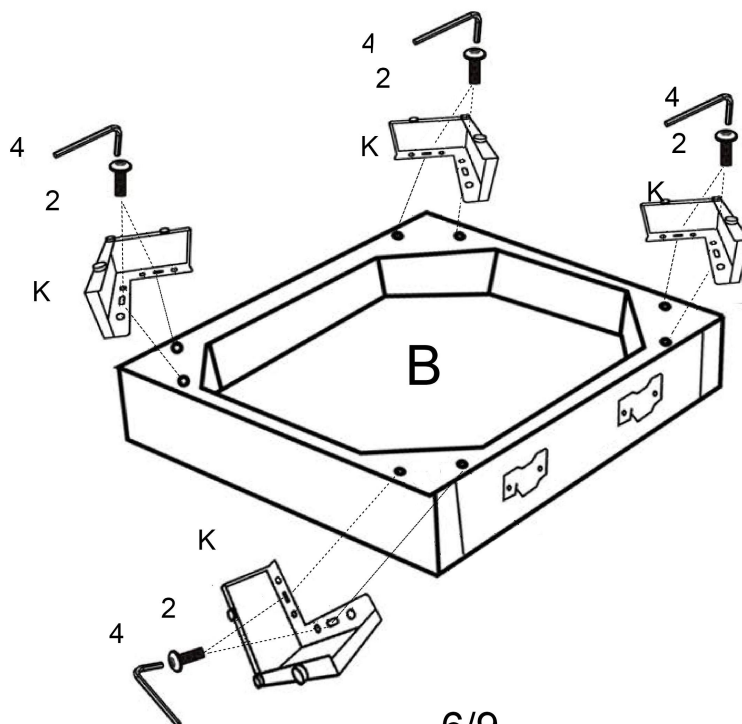





DIAGRAM 5 (Assemble the Legs)

Tighten 4 Legs (Part K) with Screws M6×16mm(Hardware 2) by Wrench (Hardware4).

2		8PCS
4		1PC
K		4PCS

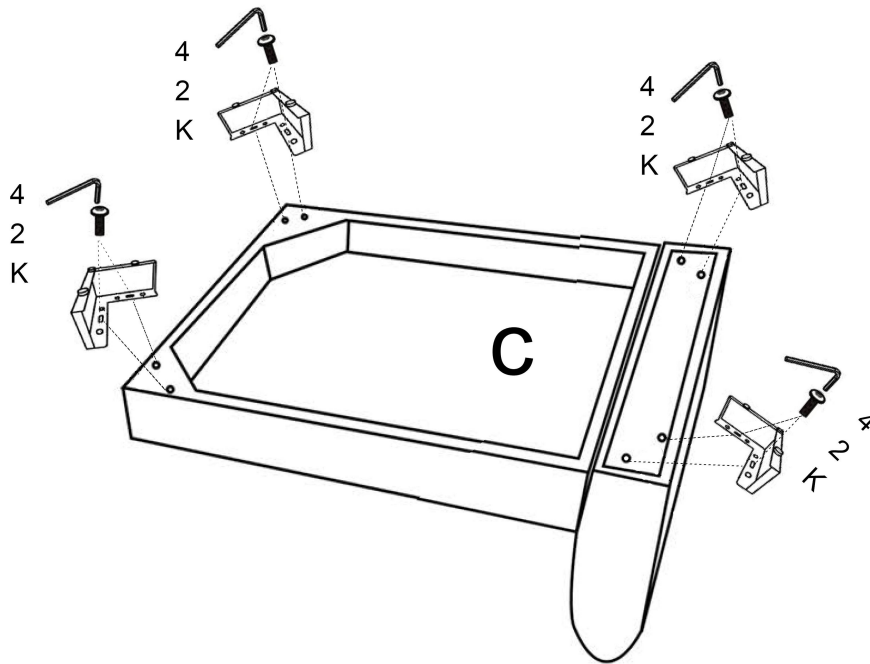


DIAGRAM 6 (Assemble the Back frames)

Connect the Back frames(Part E) using Screws M8x35mm(Hardware3) and Washers(Hardware1) by Wrench(Hardware4) as shown. Then put Velcro pieces together.

1		12PCS
3		12PCS
4		1PC

Please install the top Screws first, then the bottom Screws.

Make sure all the Screws are in the holes before tightening all the Screws.

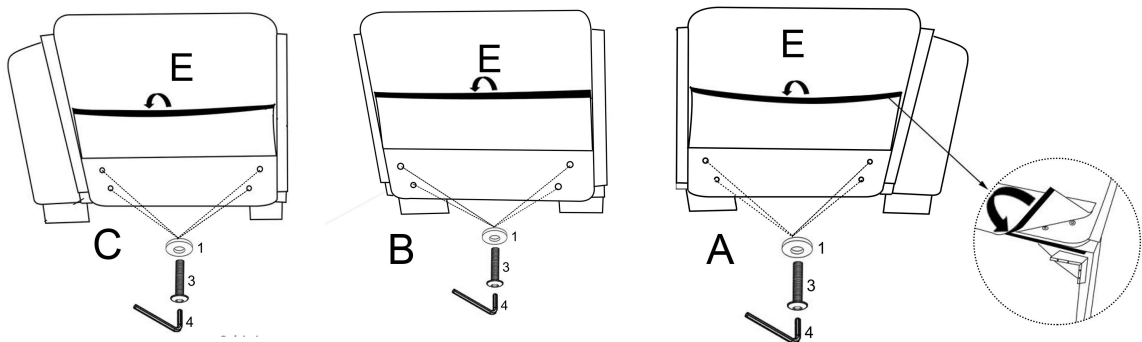


DIAGRAM 7 (Connect the Seat frames)

Connect the Chaise frame (Part A), the Seat frame(middle) (Part B) and the the Seat frame(right) (Part C) with inserts.

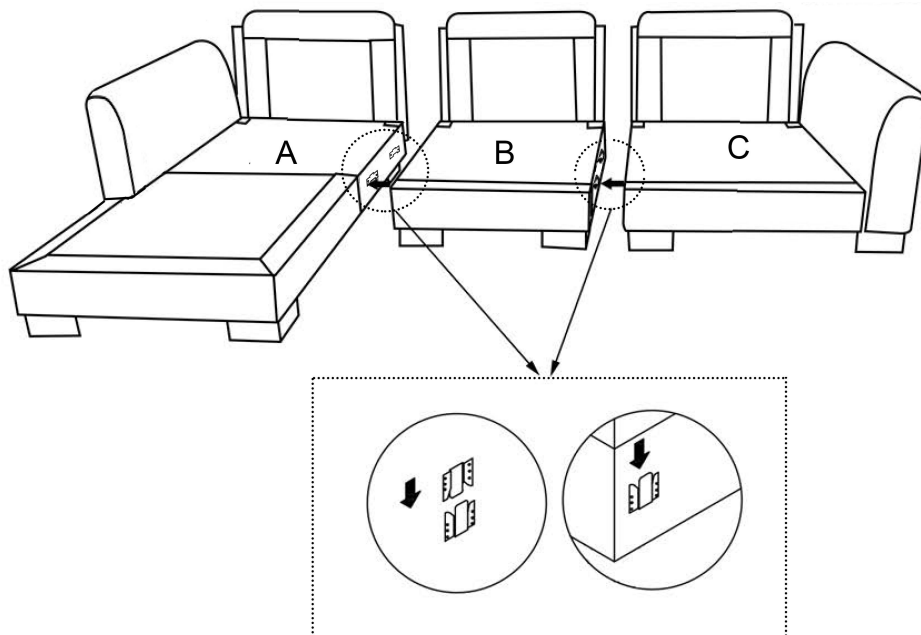
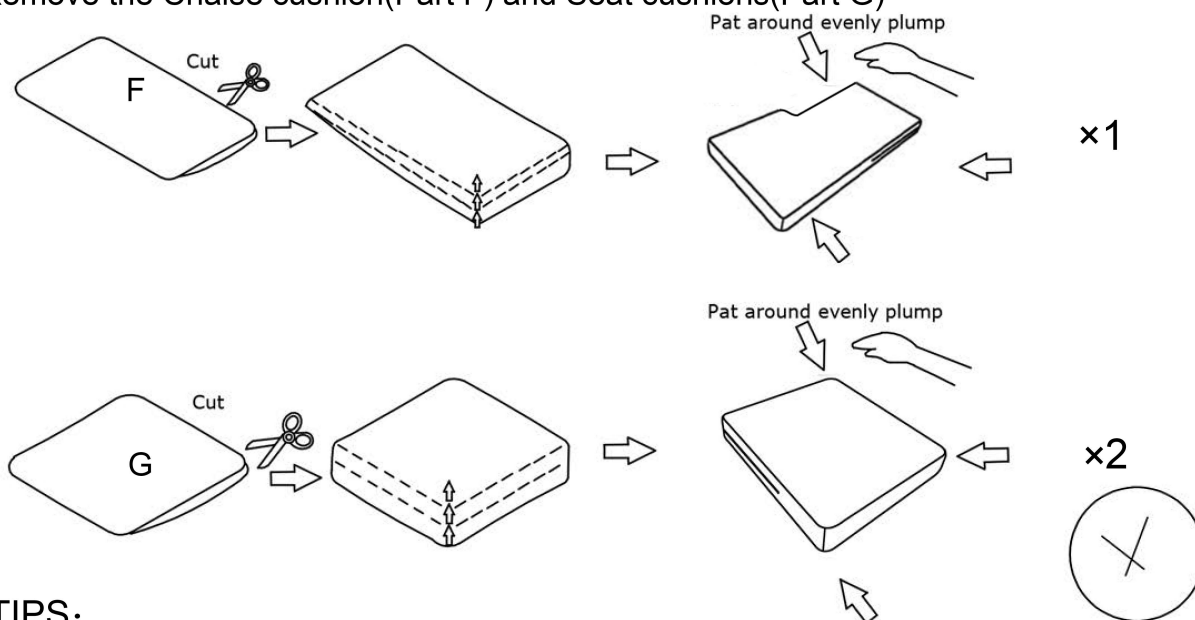


DIAGRAM 8 (Removal of compression bags)

Remove the Chaise cushion(Part F) and Seat cushions(Part G)



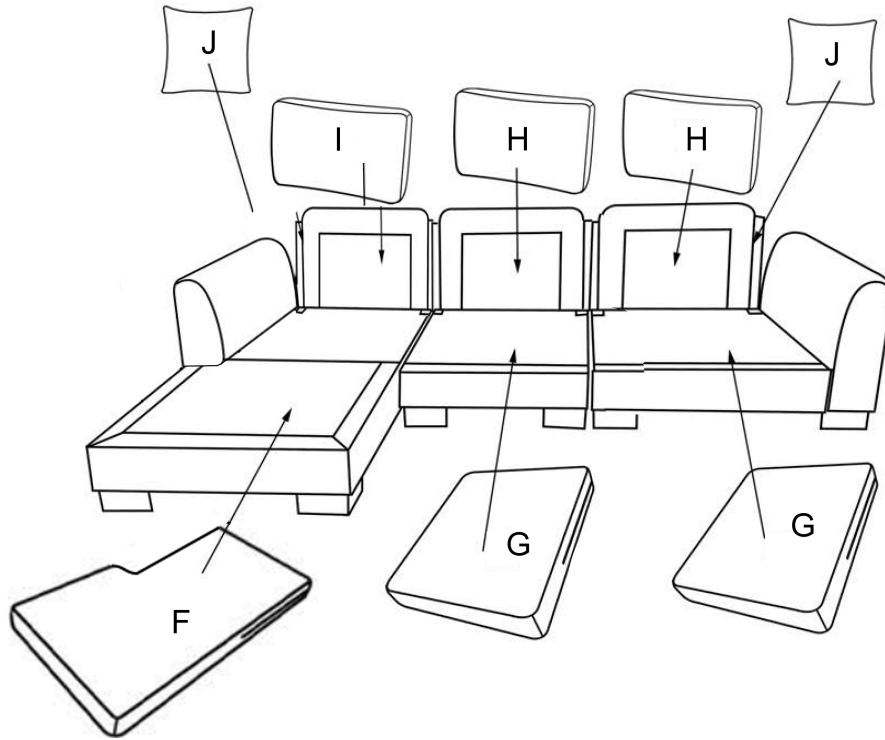
TIPS:

1. Please do not open the compressed packages until your sofa frame is completely assembled.
2. Compressed Back cushions and Seat cushions need to be fully fulfilled within 72 hours for your perfect use.
3. Please keep children away from plastic bags or any small pieces of stuff.

DIAGRAM 9 (Place the cushions on the sofa)

Put the Seat cushions (Part G) the Chaise cushion (Part F) the Back cushions (Part H&I) and the Throw pillows (Part J) on the sofa.

Recheck all the bolts before you sit on the sofa.



TIPS:

1. Please do not open the compress packaging until your sofa frame is completely assembled.
2. Compress Back cushions and Seat cushions need to be fully fulfilled within 72 hours for your perfect use.
3. Please keep children away from plastic bags or any small pieces of stuff.

