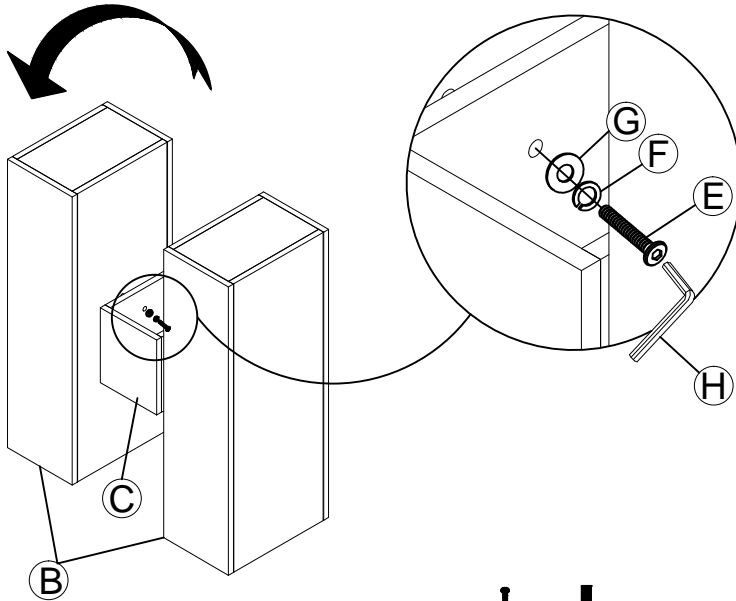


ASSEMBLY INSTRUCTION

Dining Table

Thank you for purchasing this quality product. Be sure to check all packing material carefully for small parts that may have come loose inside the carton during shipment.

Step 1:



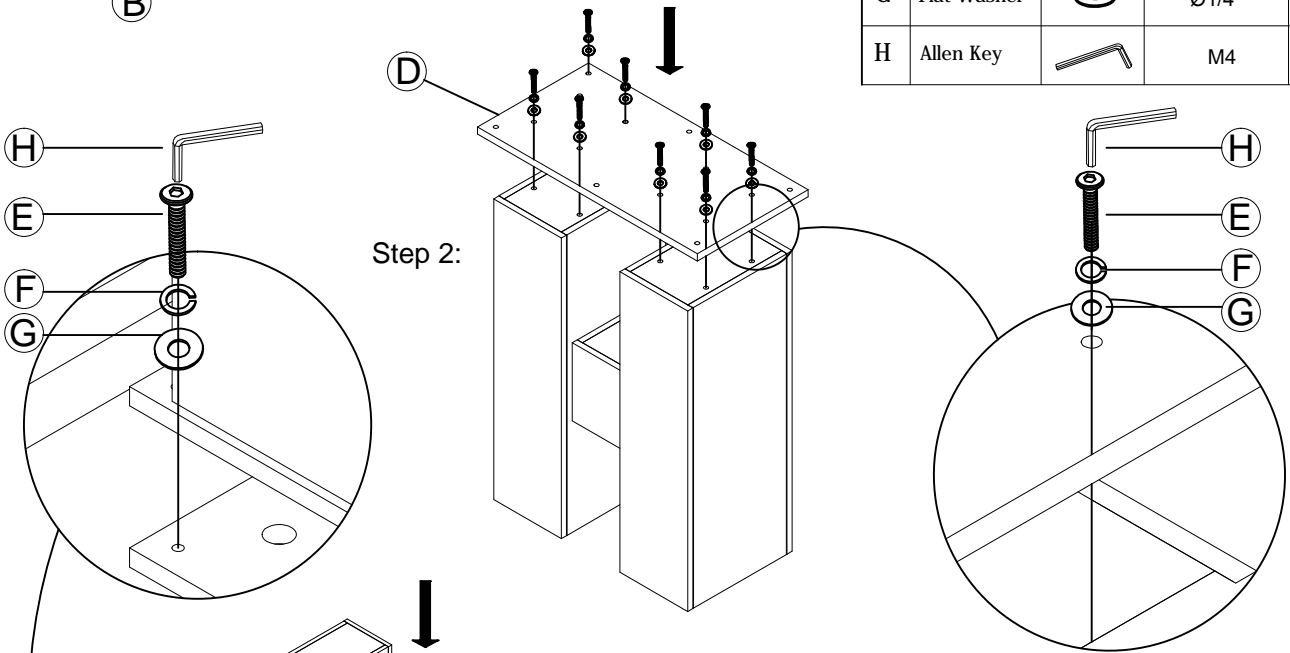
PART LIST:

No.	Description	Diagram	Quantity
A	Table Top		1
B	Table Legs		4
C	Connection Box		2
D	Connection Panel		2

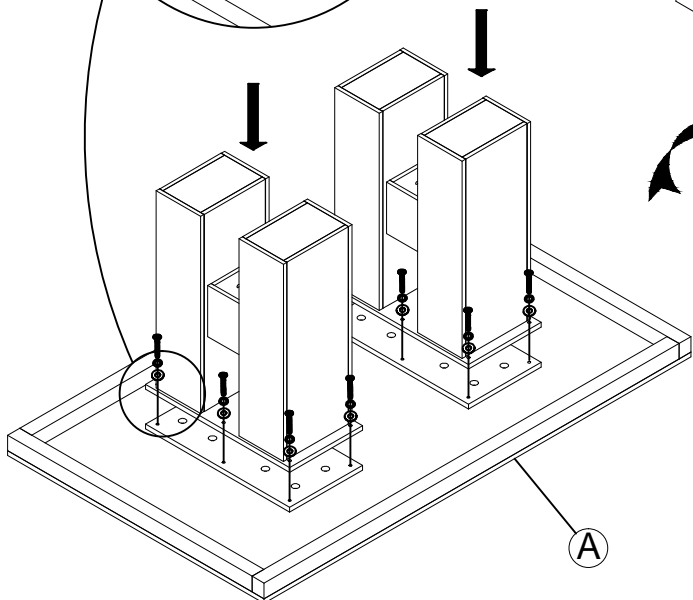
HARDWARE LIST:

No.	Description	Diagram	size	Quantity
E	Bolt		Ø1/4" x 1-3/8"	36
F	Lock Washer		Ø1/4"	36
G	Flat Washer		Ø1/4"	36
H	Allen Key		M4	1

Step 2:



Step 3:



Finished

