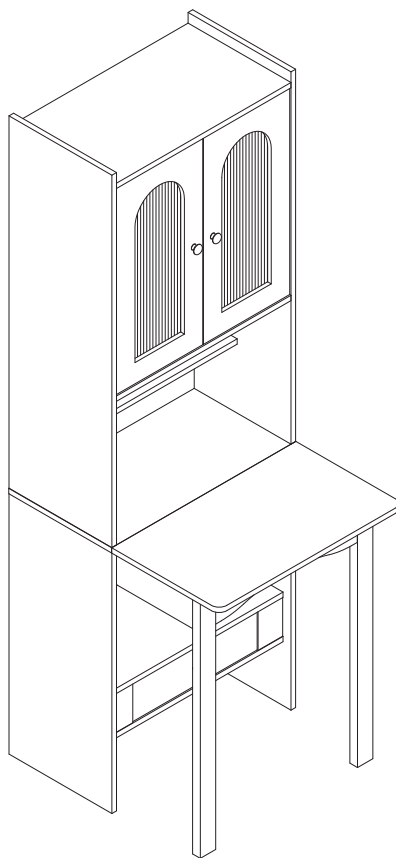
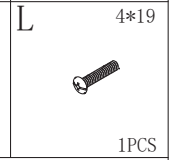
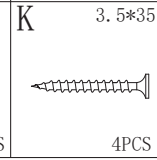
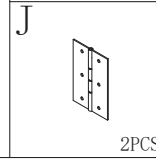
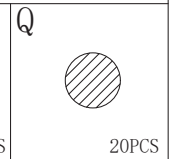
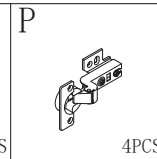
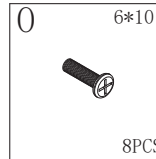
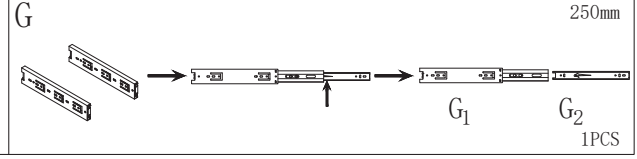
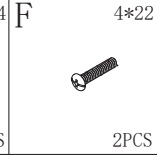
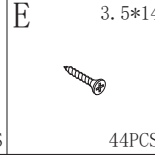
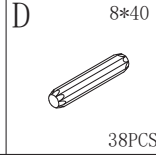
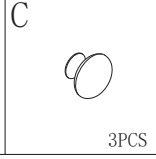
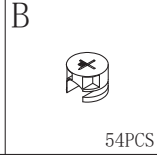
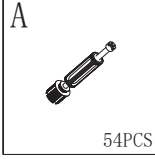
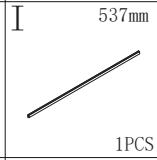
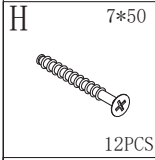
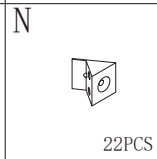
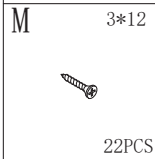
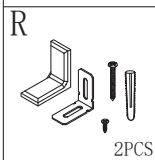
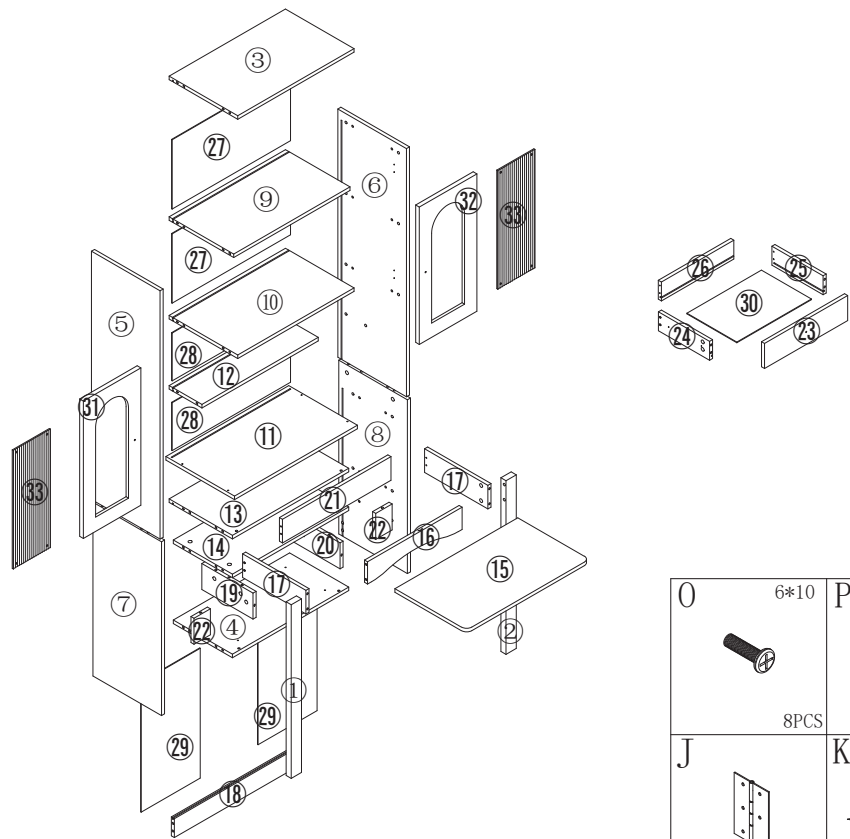
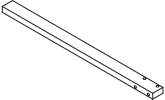
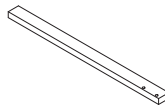
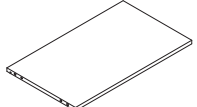
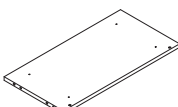
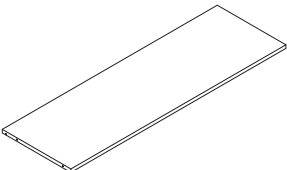
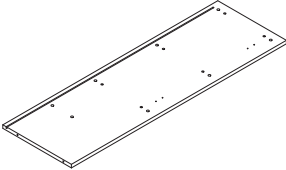
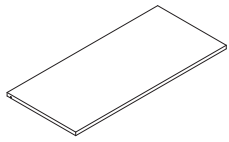
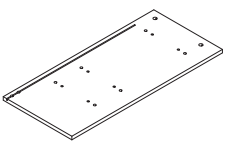
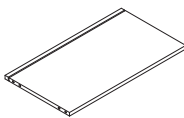
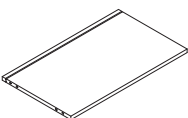
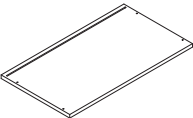
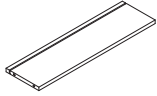
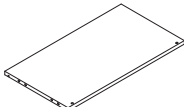
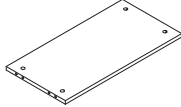
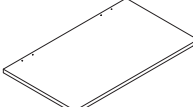
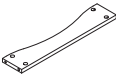
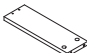


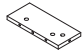
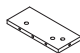
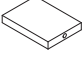
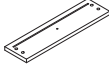



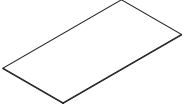
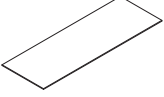
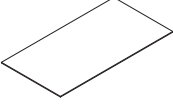
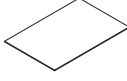
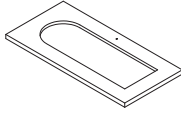
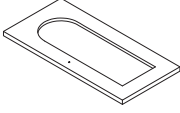
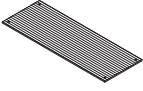


Installation & Assembly

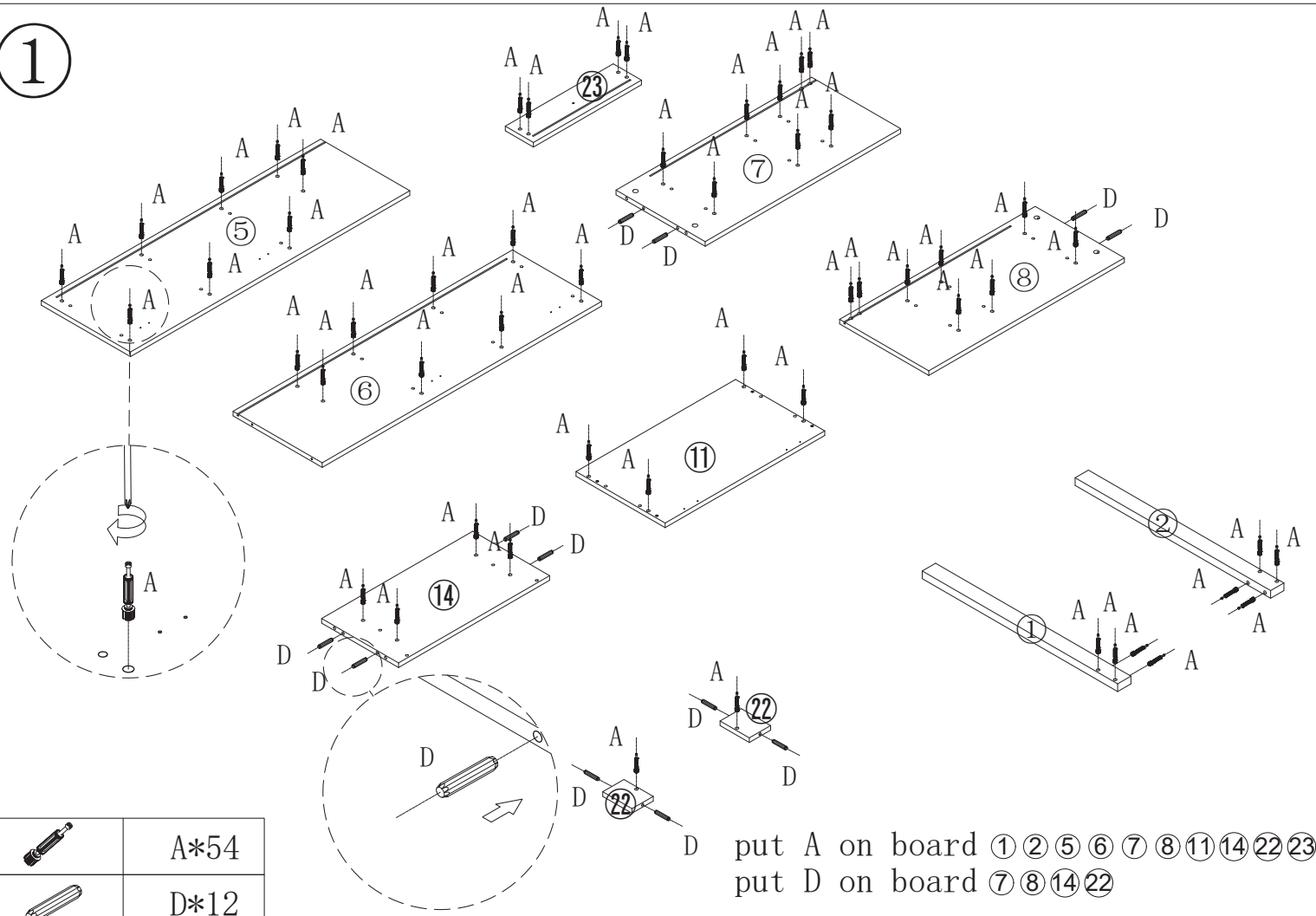




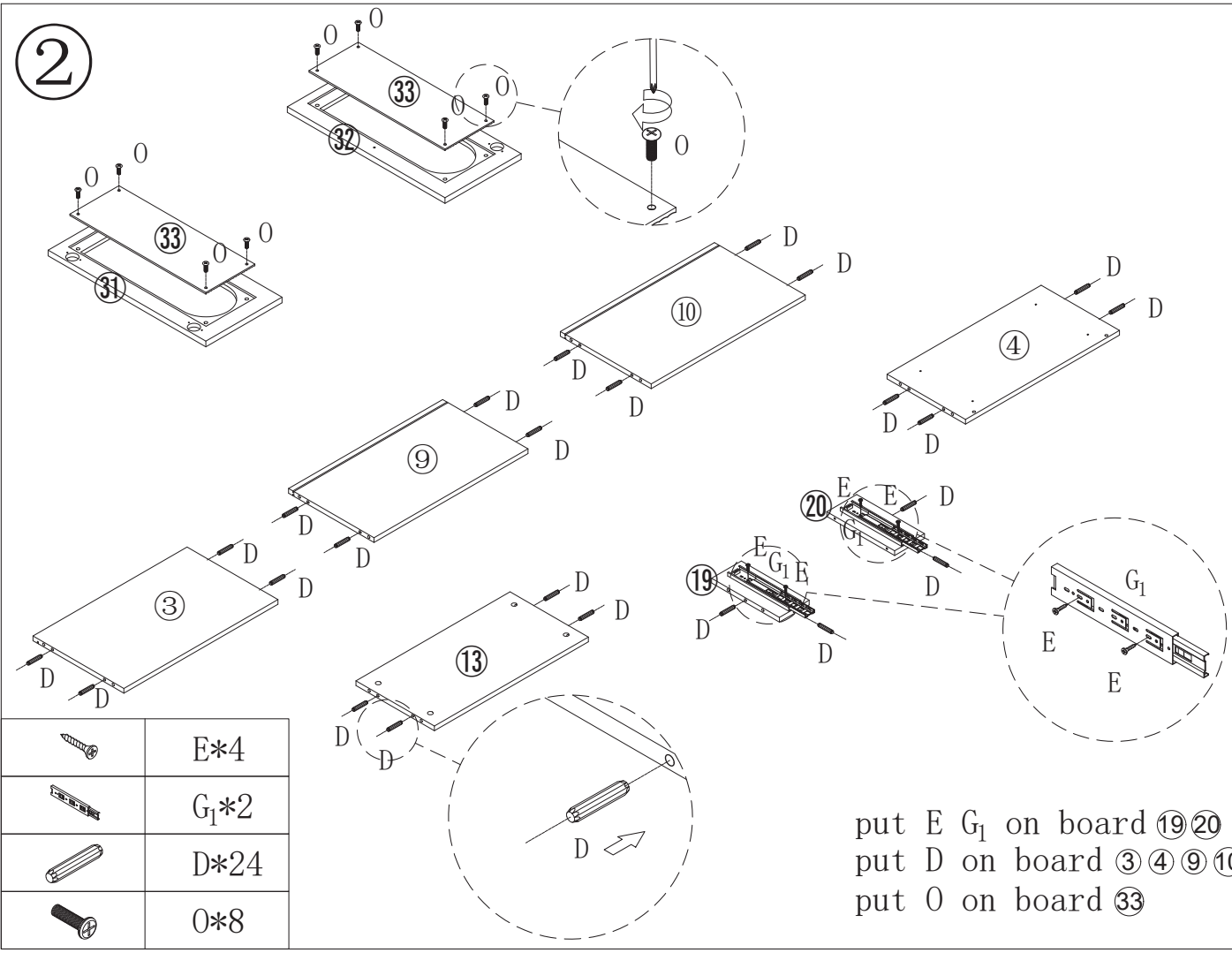
1  734.5*50 1PS	2  734.5*50 1PS	3  568*335 1PS	4  568*289 1PS	5  1050*335 1PS
6  1050*335 1PS	7  735*335 1PS	8  735*335 1PS	9  568*315 1PS	10  568*335 1PS
11  600*335 1PS	12  568*160 1PS	13  568*309 1PS	14  568*289 1PS	15  600*350 1PS
16  462*94 1PS	17  309*100 2PS	18  568*80 1PS	19  250*110 1PS	21  530*100 1PS
			20  250*110 1PS	





<p>22</p>  <p>110*80 2PS</p>	<p>23</p>  <p>406*106 1PS</p>	<p>24</p>  <p>250*80 1PS</p> <p>25</p>  <p>250*80 1PS</p>	<p>26</p>  <p>354*80 1PS</p>	<p>27</p>  <p>578*293 2PS</p>
<p>28</p>  <p>578*202.5 2PS</p>	<p>29</p>  <p>288*549 2PS</p>	<p>30</p>  <p>364*244 1PS</p>	<p>31</p>  <p>581*281 1PS</p>	<p>32</p>  <p>581*281 1PS</p>
<p>33</p>  <p>501*181 2PS</p>				

1



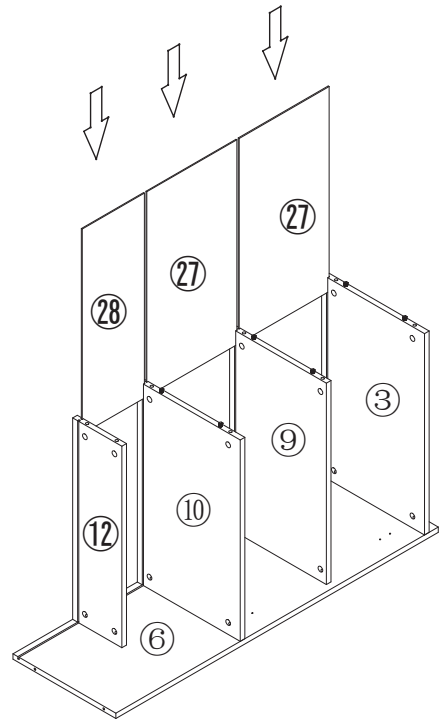
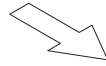
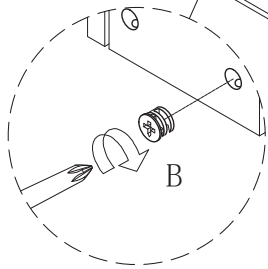
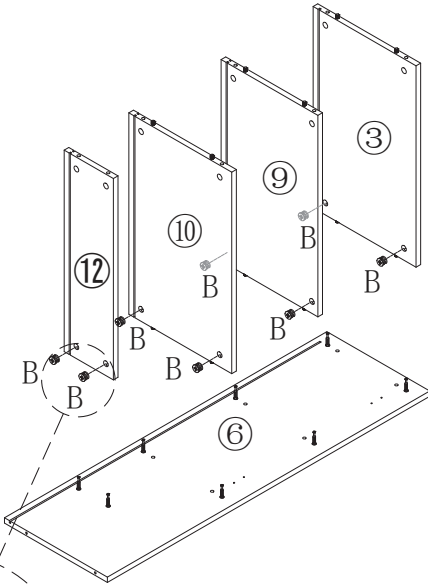
2



	E*4
	G ₁ *2
	D*24
	O*8

put E G₁ on board 19 20
 put D on board 3 4 9 10 13
 put O on board 33

3



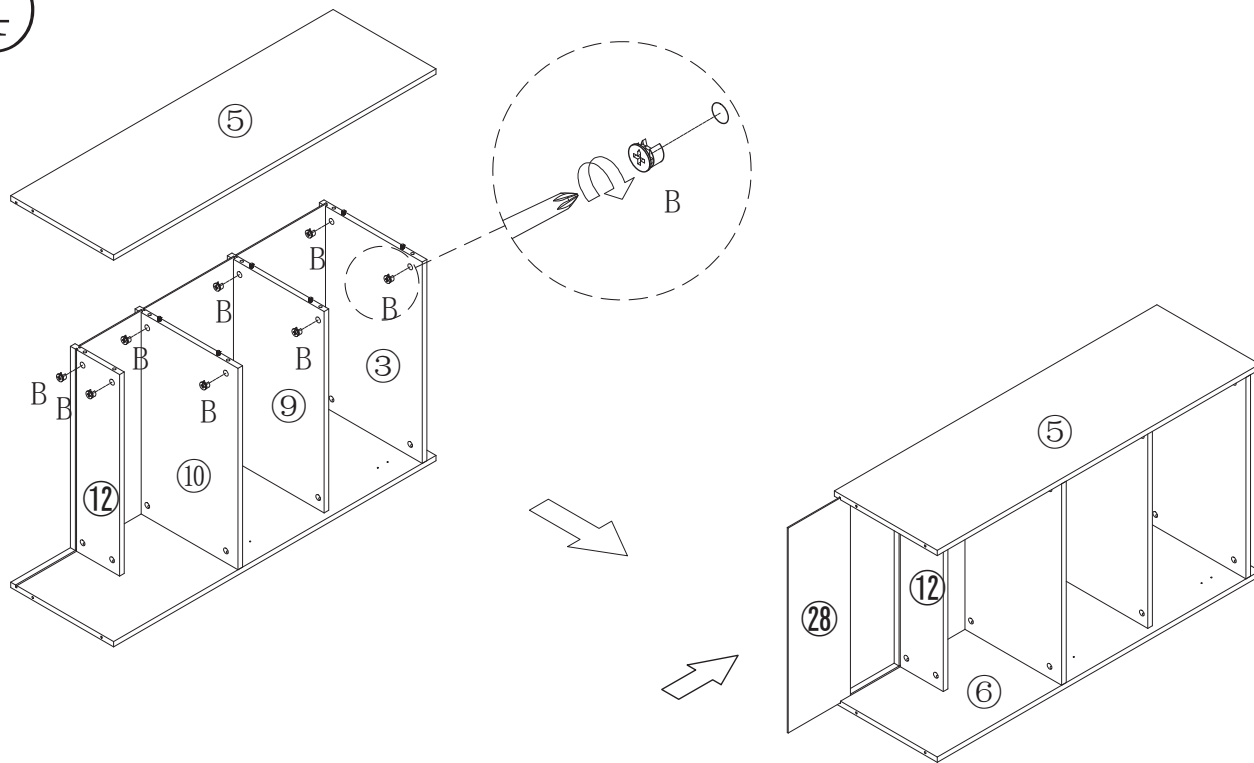
Make sure the arrow on the screw align to the hole on the side.

put B on board 3 9 10 12



B*8

4



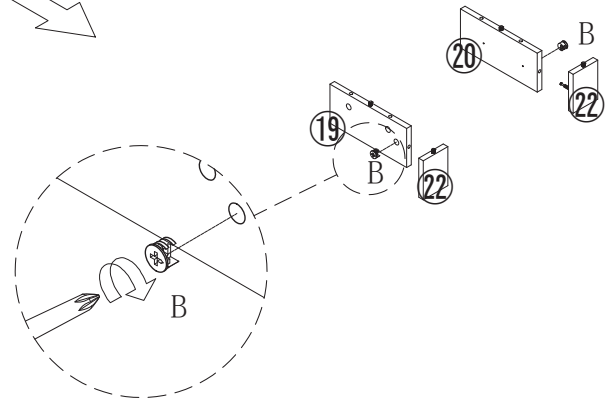
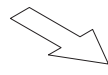
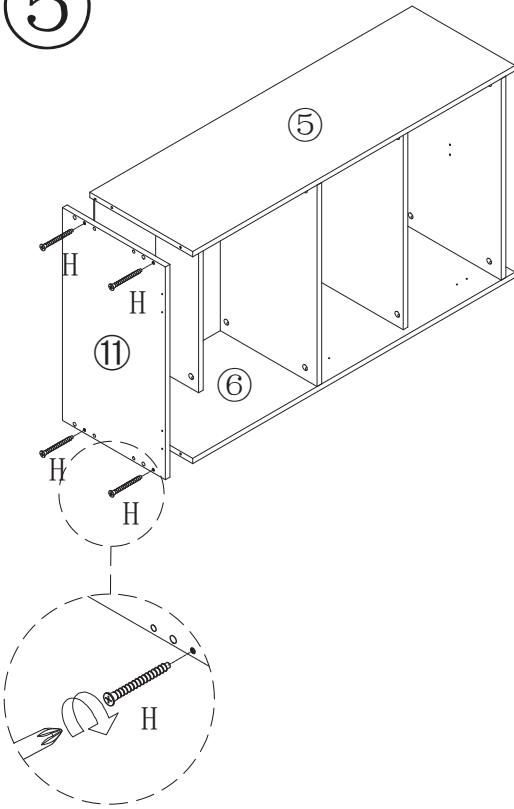
Make sure the arrow on the screw align to the hole on the side.

put B on board ③ ⑨ ⑩ ⑫



B*8

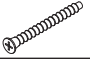

5



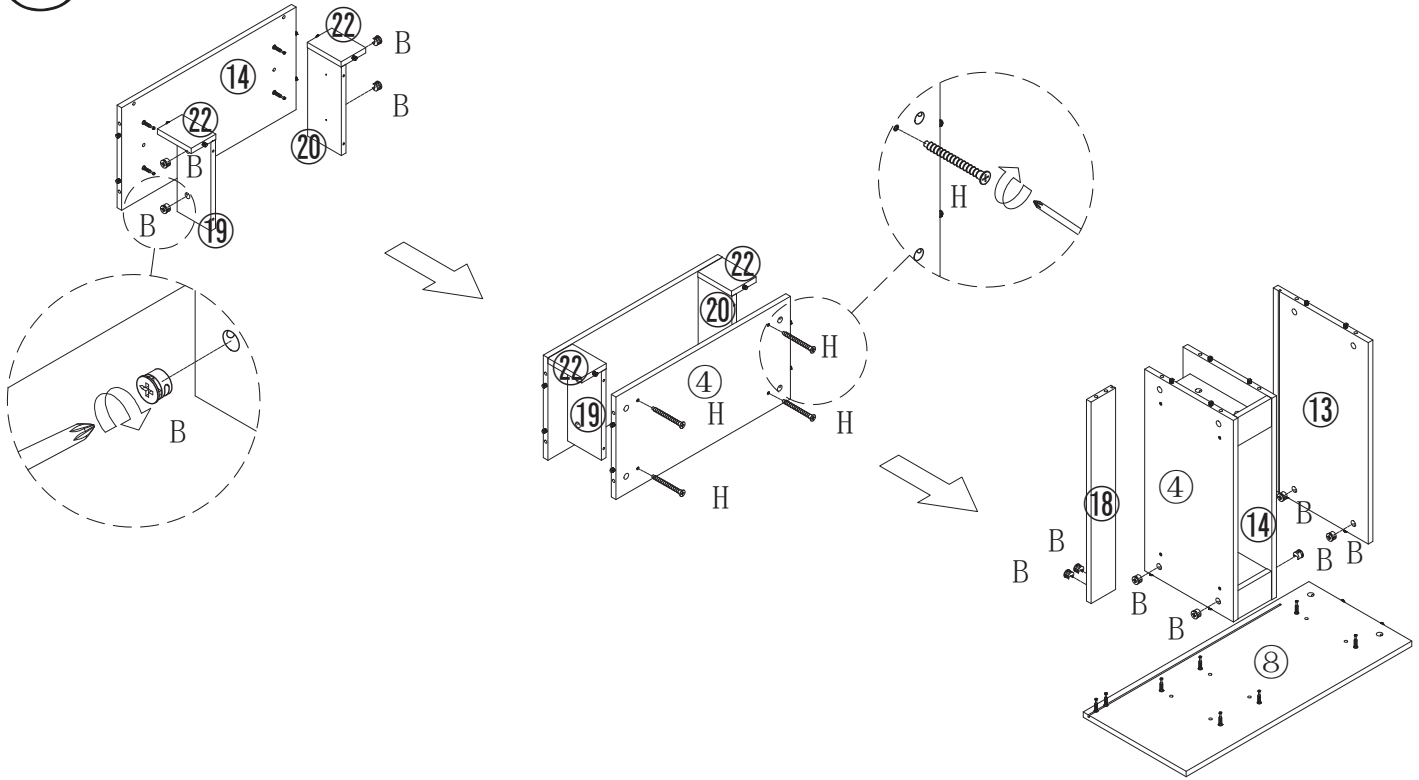
Make sure the arrow on the screw align to the hole on the side.

put B on board 19 20

put H on board 11

	H*4
	B*2

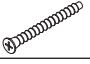

⑥



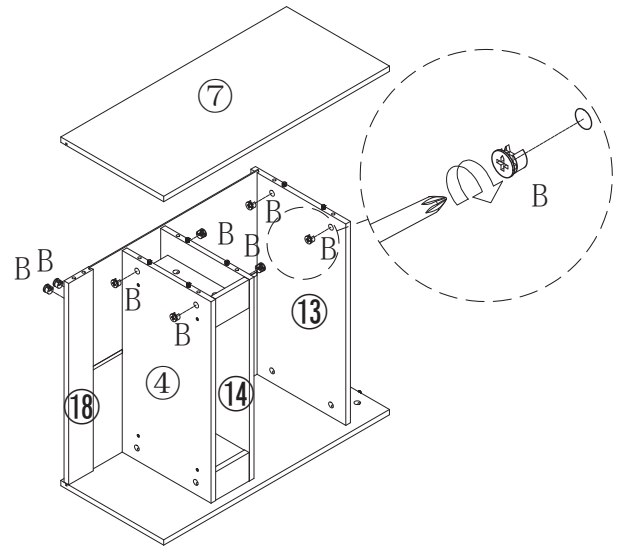
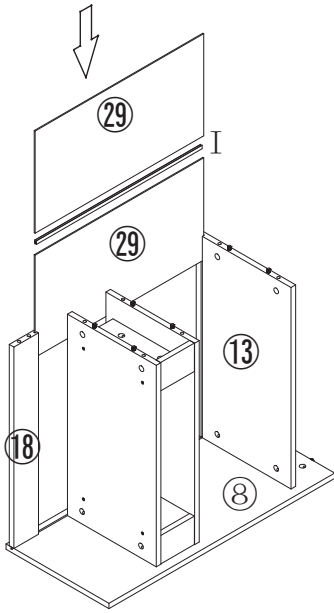
Make sure the arrow on the screw align to the hole on the side.

put B on board ④ ⑬ ⑭ ⑱ ⑳



put H on board ④

	H*4
	B*12

7



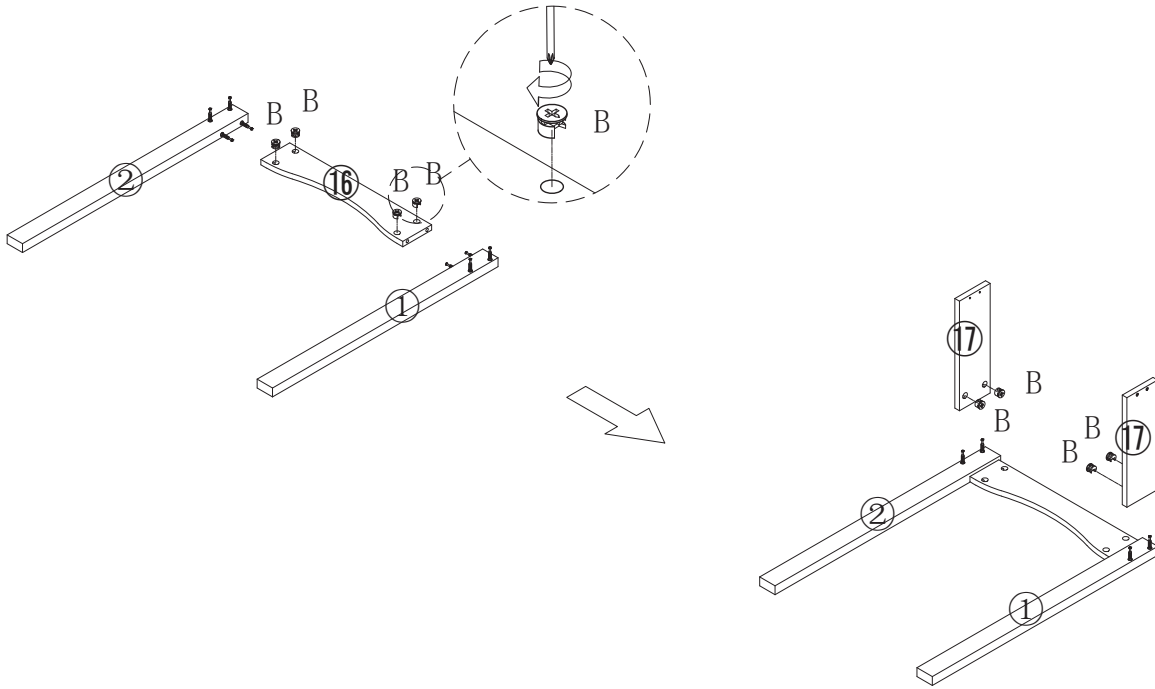
Make sure the arrow on the screw align to the hole on the side.

	I*1
	B*8

put B on board ④ ⑬ ⑭ ⑱

put I on board ⑳

8



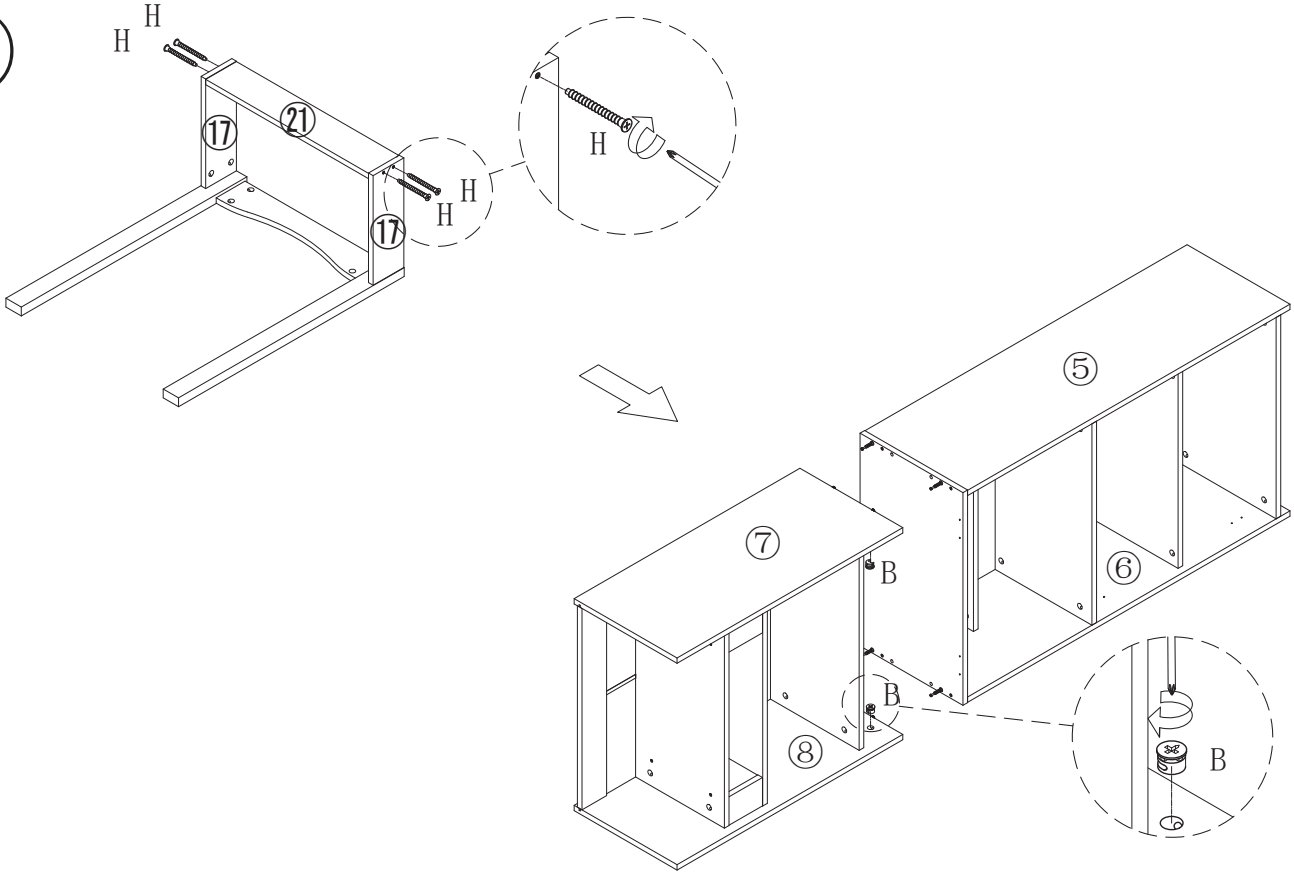
Make sure the arrow on the screw align to the hole on the side.

put B on board 16 17



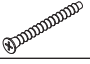

B*8

9

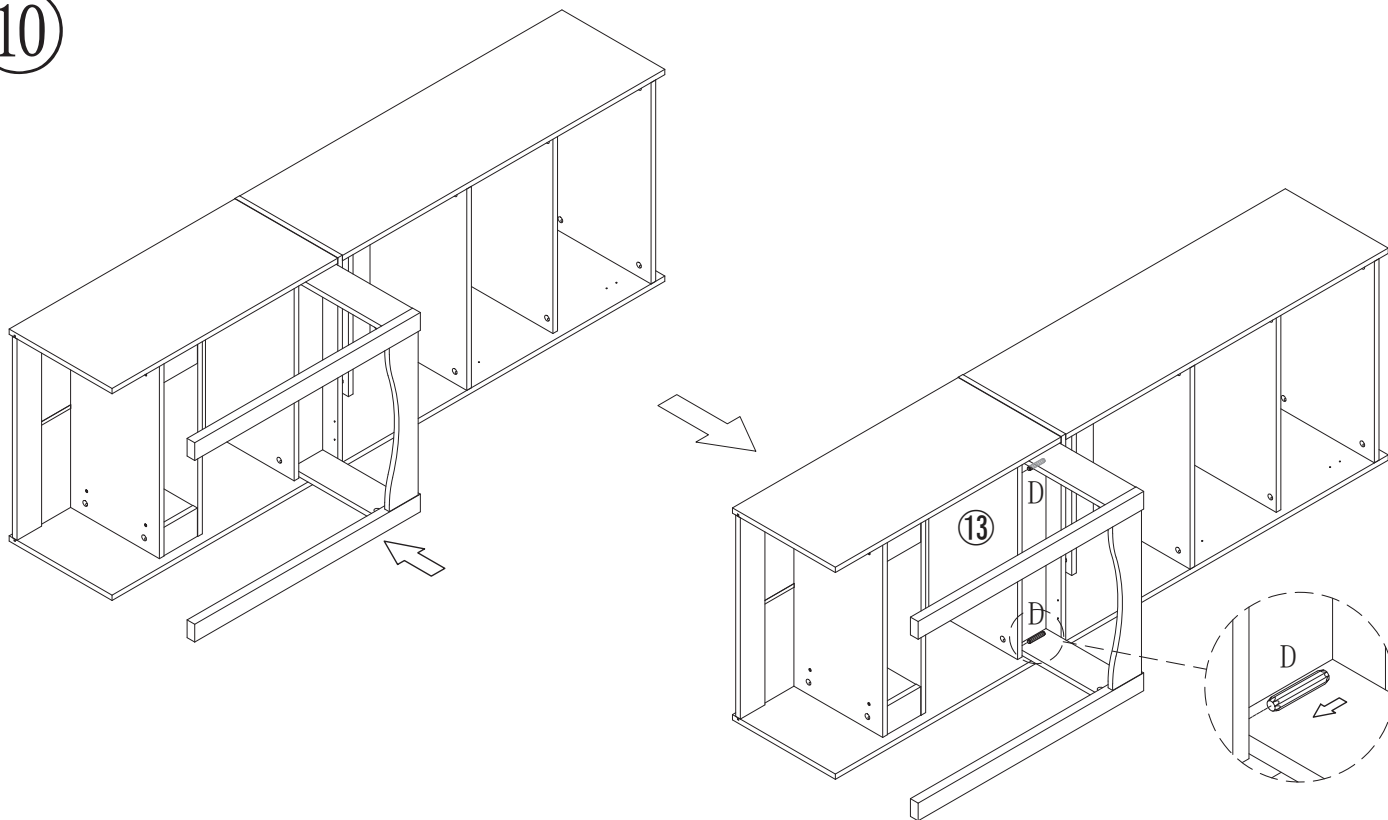


Make sure the arrow on the screw align to the hole on the side.

put B on board ⑦ ⑧
put H on board ⑰

	H*4
	B*4

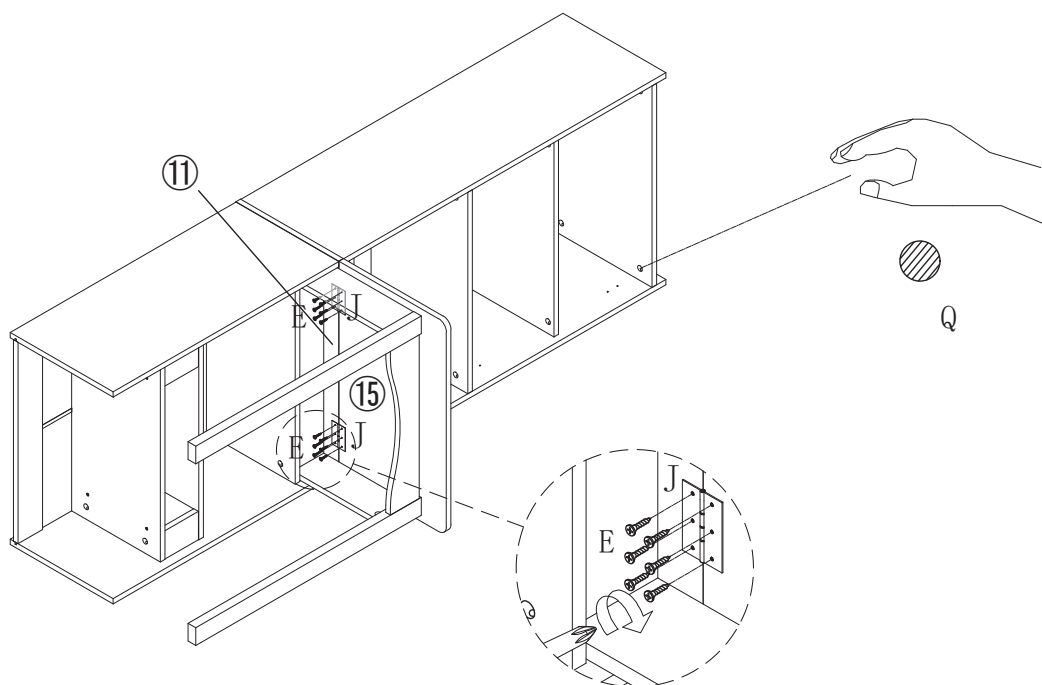
10






D*2

put D on board 13

11

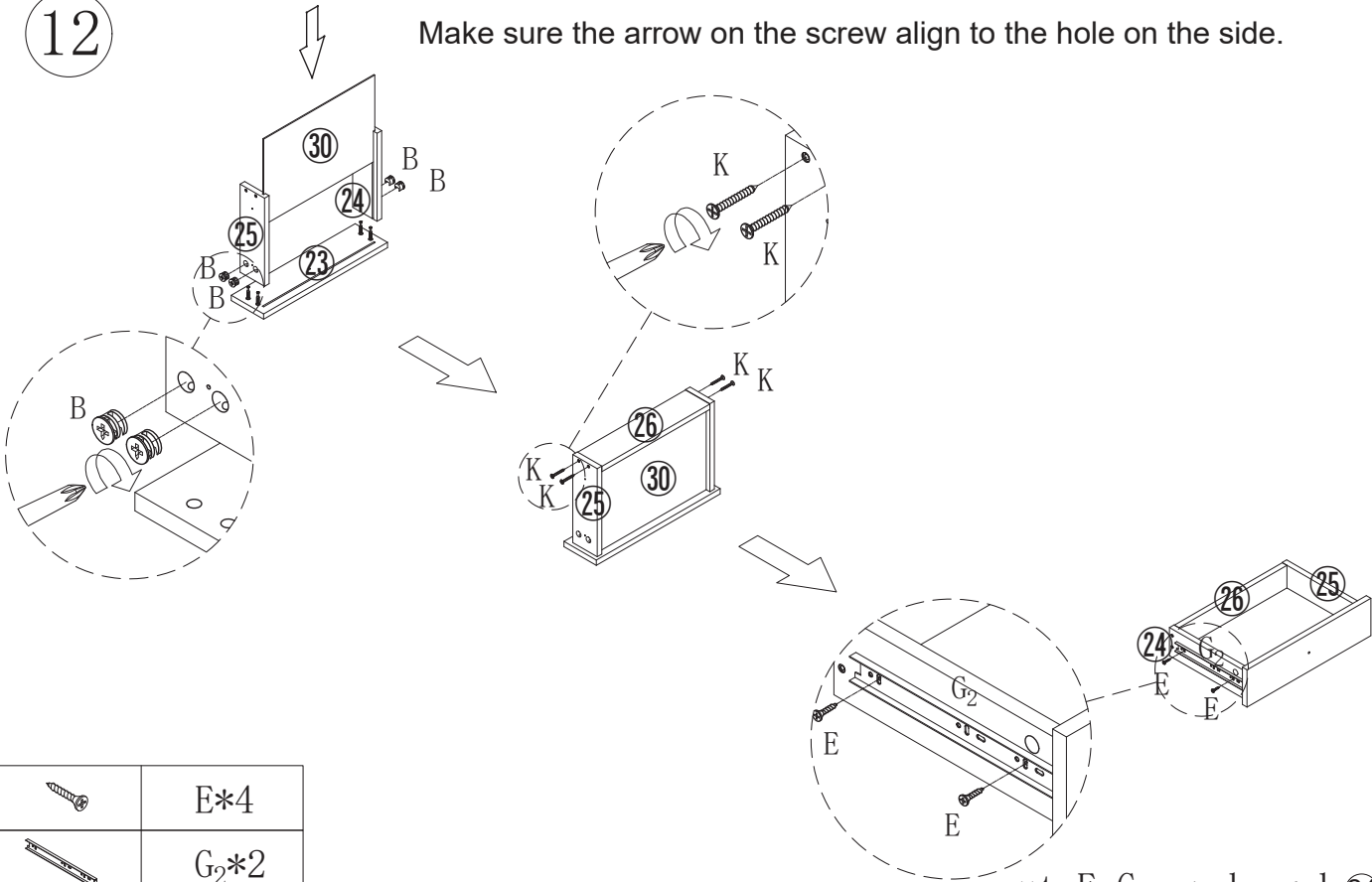






	Q*20
	E*12
	J*2

put E J on board 11 15

12

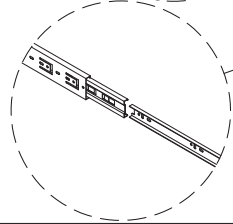
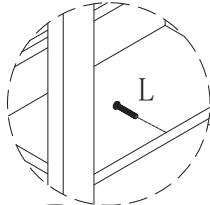
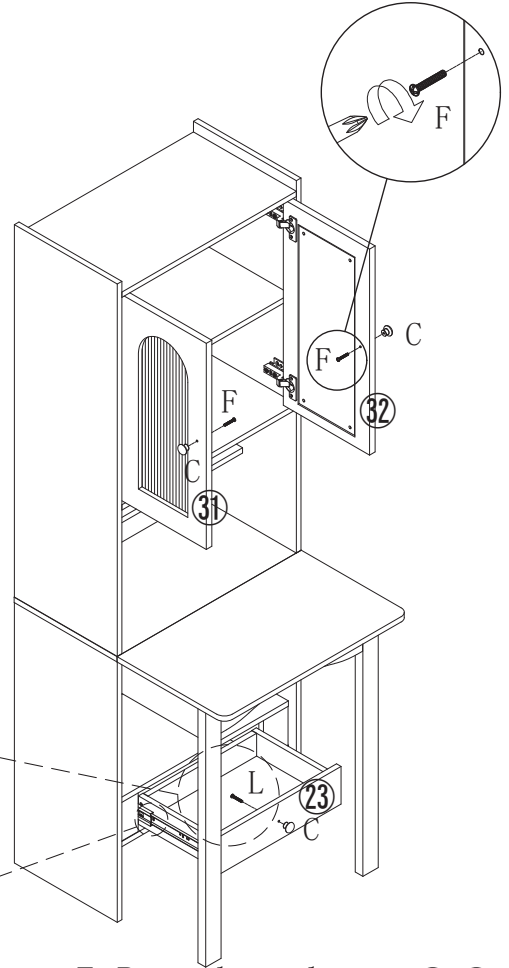
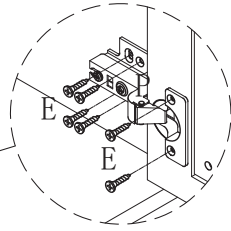
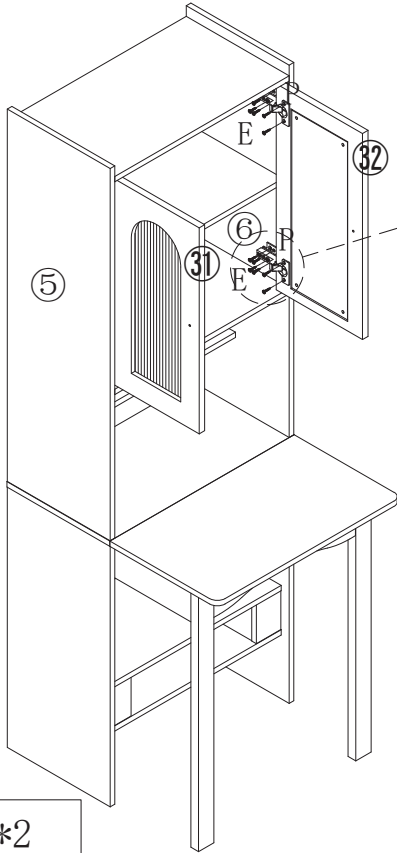
Make sure the arrow on the screw align to the hole on the side.








	E*4
	G ₂ *2
	K*4
	B*4

put E G₂ on board 24 25
 put B on board 24 25
 put K on board 24 25

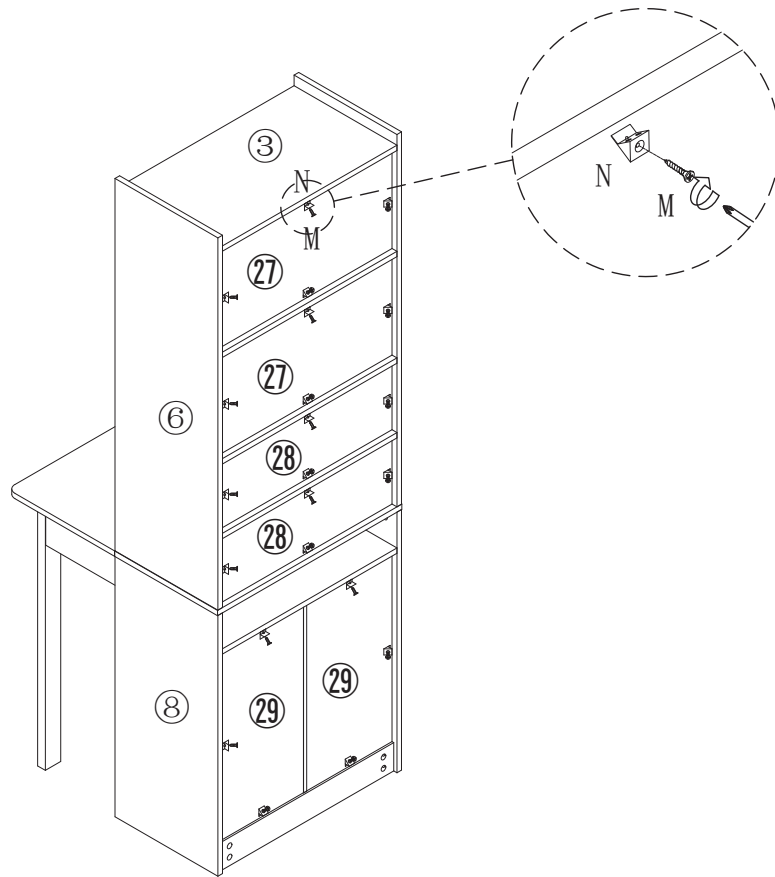
13



	F*2		
	C*3		
	E*24		
	P*4		L*1

put E P on board 5 6 31 32
 put F L C on board 23 31 32

14

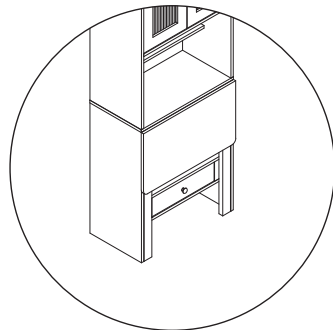
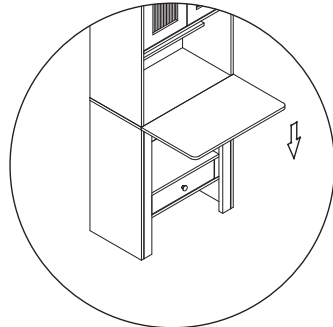
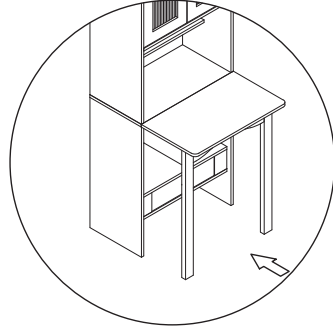
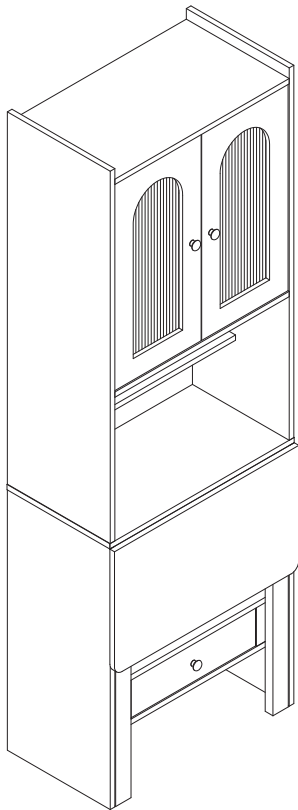


N*22

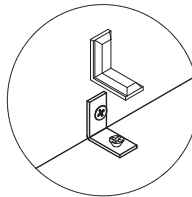
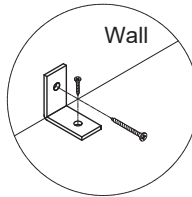
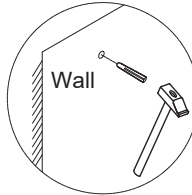
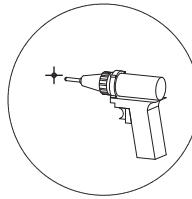
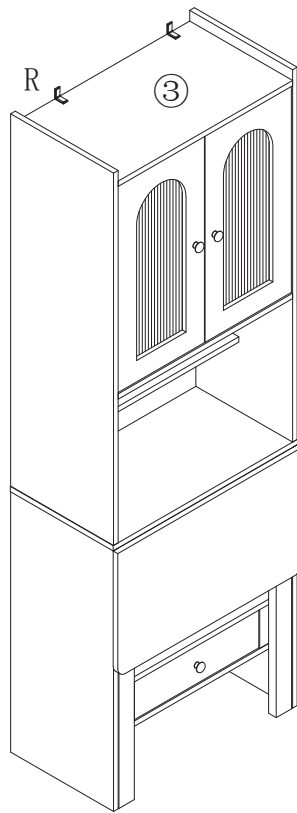


M*22

15



16



R*2



WARNING!

Children have died from furniture tipover. Fixed wall device have been included with this product;you must install the fixed wall device according to these instructions in order to minimize the risk of furniture.If you have any questions about this product or the Fixed wall device , please contact us immediately.

Never allow children to climb or hang on furniture,including drawers or cabiner doors.

In addition to installing the restrains,to help prevent tip-over.

1. Never put a TV or other heavy objects on top of this product.
2. Do not stand on the product.

 WARNING	
	<p>Children have died from furniture tipover. To reduce the risk of furniture tipover:</p> <ul style="list-style-type: none">• ALWAYS install tipover restraint provided.• NEVER put a TV on this product.• NEVER allow children to stand, climb or hang on drawers, doors, or shelves.• NEVER open more than one drawer at a time.• Place heaviest items in the lowest drawers.• Do not defeat or remove the drawer interlock system.
	<p><i>This is a permanent label. Do not remove!</i></p>