

CORAL ADIRONDACK CHAIR

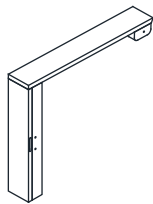
Assembly Instructions



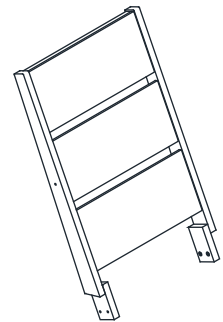
Every thing we make is incredibly simple to set up, including your new Adirondack Chair. You won't need any additional tools.

Parts & hardware

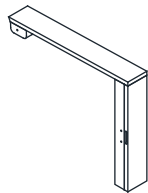
A x 1
Frame Leg 1



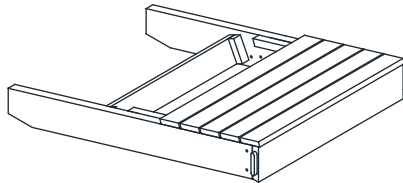
D x 1
Back Panel



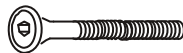
B x 1
Frame Leg 2



C x 1
Seat Panel



HW1 x 2
Allen Bolt: M6x0.5x55 mm



M6x55

HW2 x 8
Allen Bolt: M6x0.5x35 mm



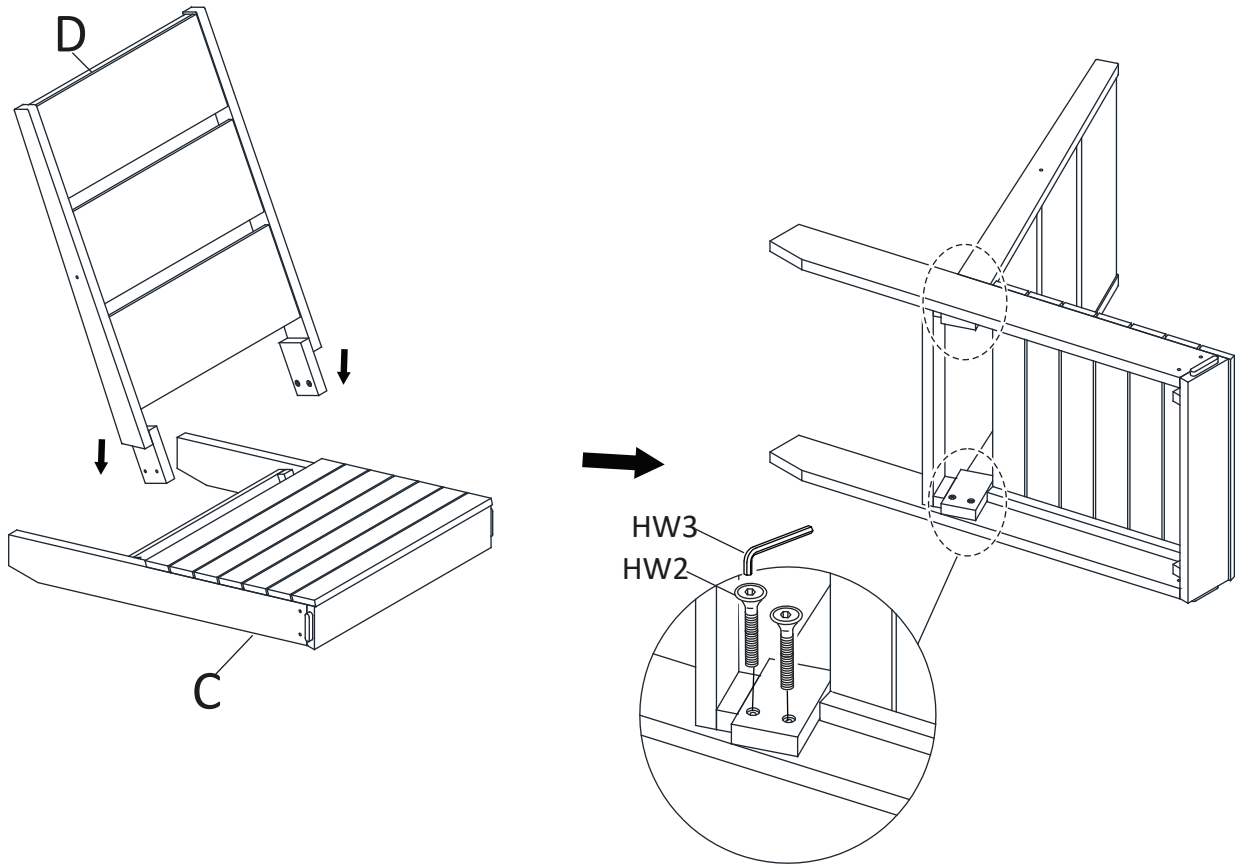
M6X35

HW3 x 1
Allen key

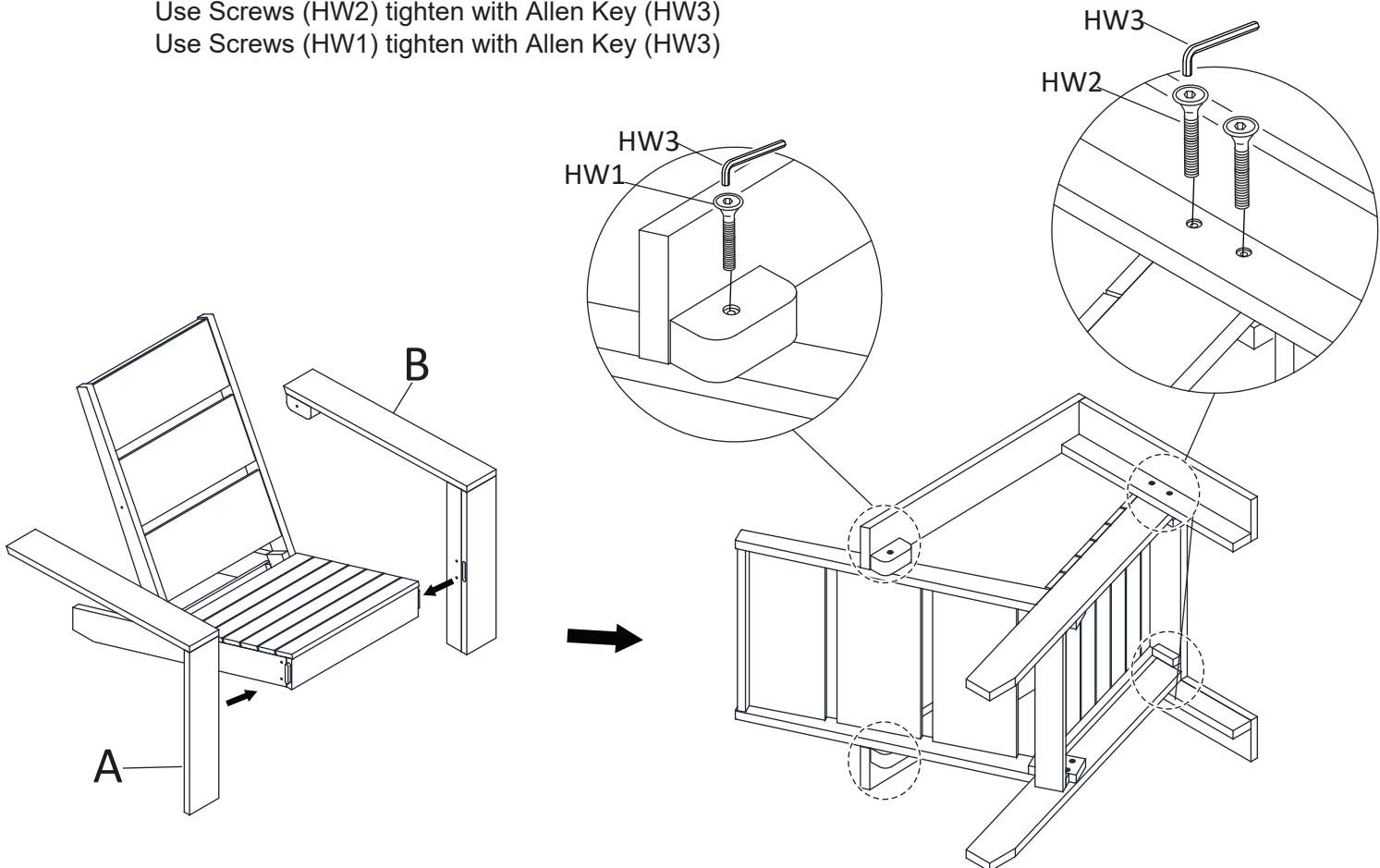


LG4

-
- 1 Attach Back Panel (D) to Seat Panel (C).
Use Screws (HW2) tighten with Allen Key (HW3)



-
- 2 Attach Frame Leg 1 (A) and Frame Leg 2 (B) to Seat Panel (C).
Use Screws (HW2) tighten with Allen Key (HW3)
Use Screws (HW1) tighten with Allen Key (HW3)



3

Place the ADIRONDACK CHAIR in the place where you will use it. We'd love to see it - just tag us

