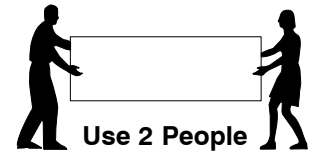
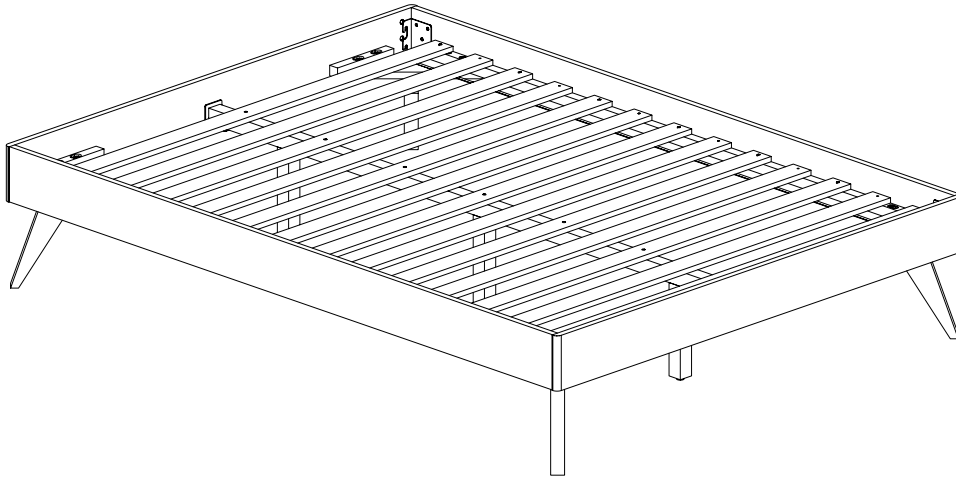


# Full Bed

## Assembly Instructions

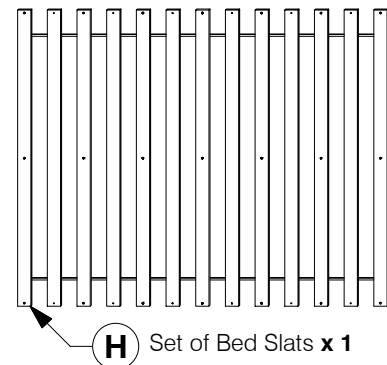
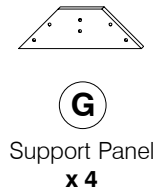
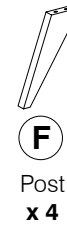
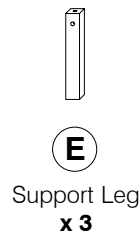
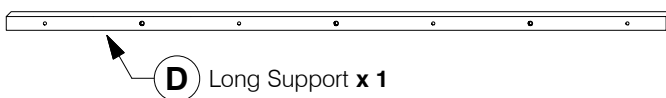
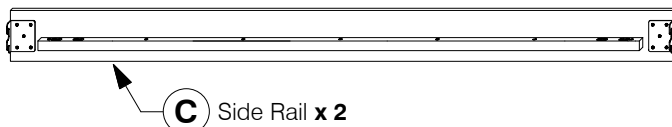
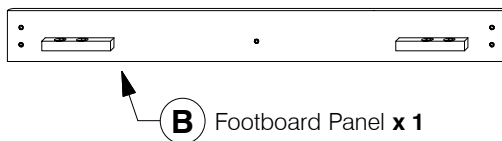
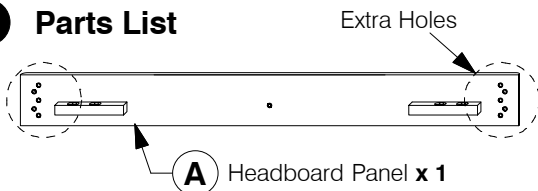
0818

### 1 Assembled View

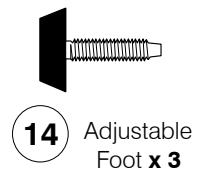
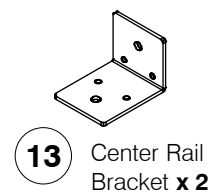
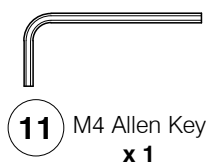
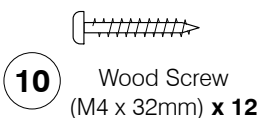
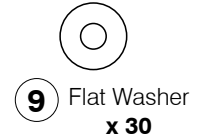
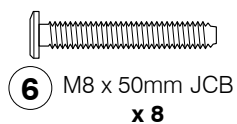
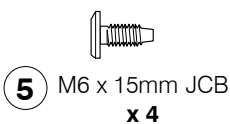
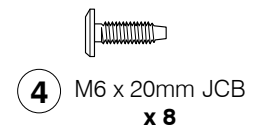
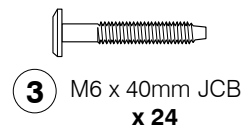
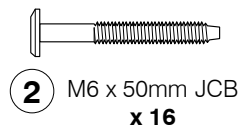
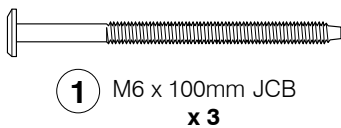


**Note:** Do not assemble using power tools. This can cause the bolts to be overtightened

### 2 Parts List



### 3 Hardware List

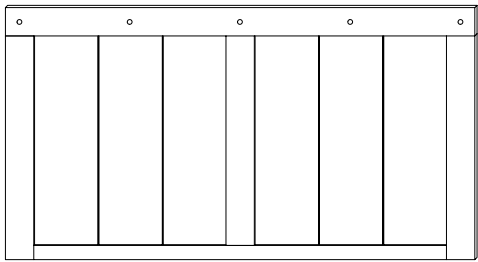


# 9752 Full / Queen Headboard

## Assembly Instructions

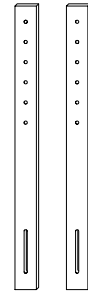
W11-0720

### 1 Parts List



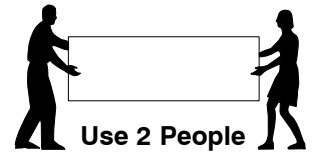
**A**

Headboard Panel x 1



**B**

Support Bars x 2



Use 2 People



### 2 Hardware List



**1** M6 x 35mm JCB  
x 10



**2** Spring Washer  
x 10



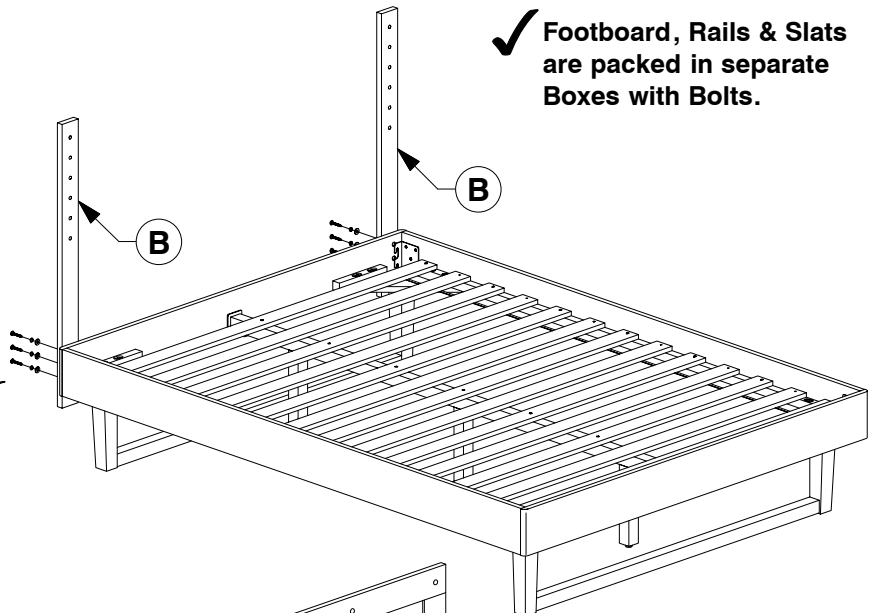
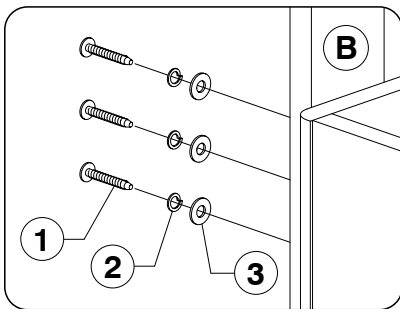
**3** Flat Washer  
x 10



**4** Allen Key  
x 1

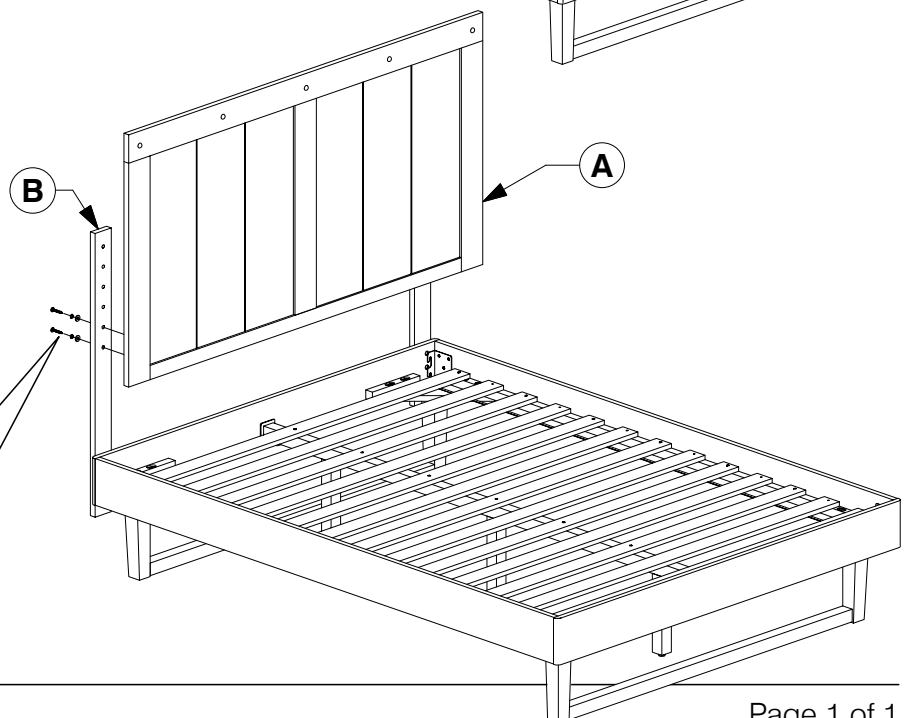
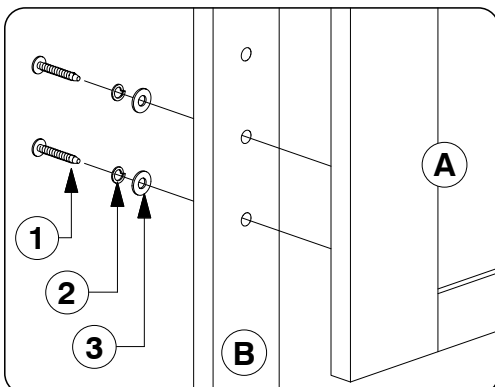
**Note:** Do not assemble using power tools. This can cause the bolts to be overtightened

### 3 Assemble the Support Bars (B) to the Headboard Panel.



✓ Footboard, Rails & Slats are packed in separate Boxes with Bolts.

### 4 Assemble the Headboard Panel (A) to the Support Bars (B).

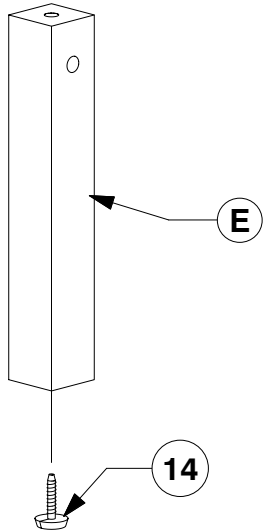


# Full Bed

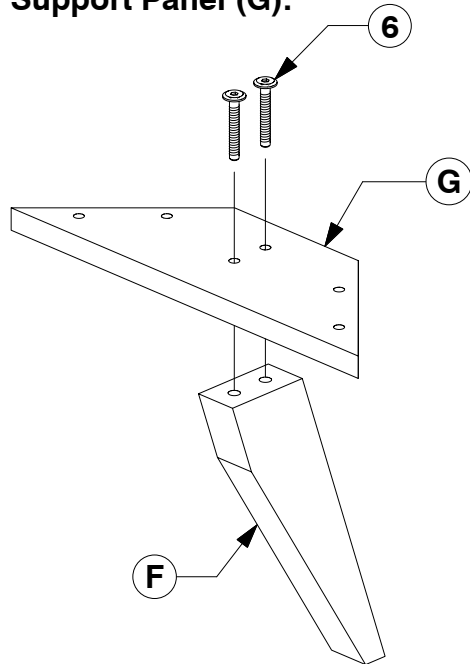
## Assembly Instructions

0818

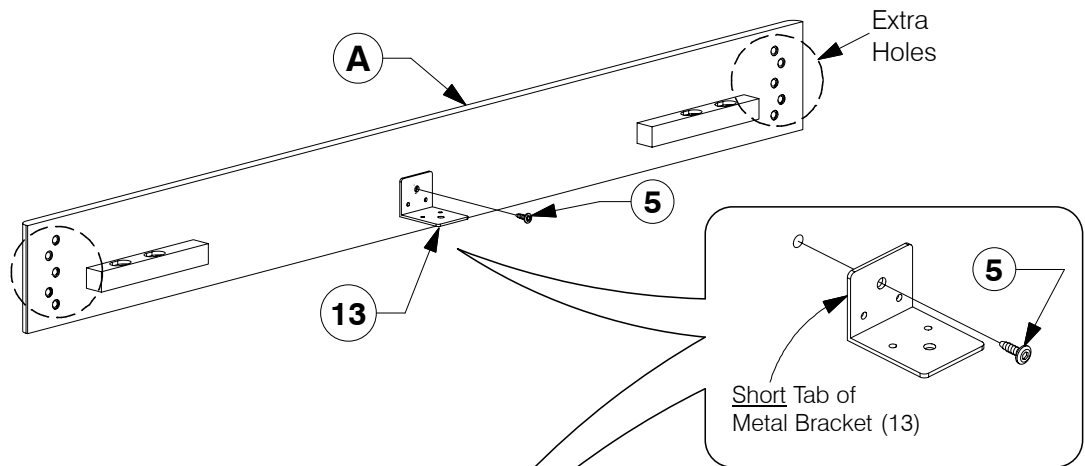
- 4** Fix the Adjustable foot to the bottom of the Support Leg (E).



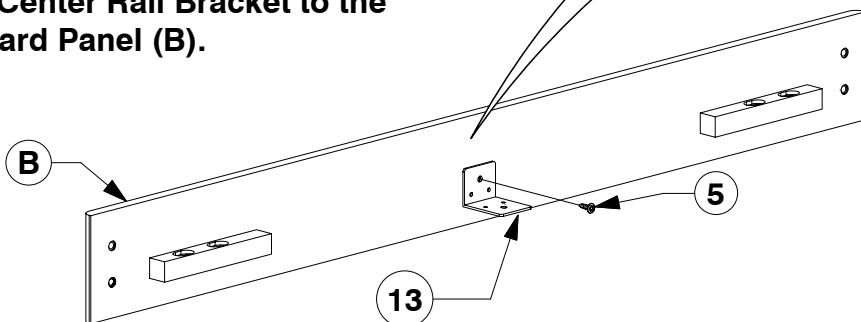
- 5** Fit the Post (F) to the Support Panel (G).



- 6** Fit the Center Rail Bracket to the Headboard Panel (A).



- 7** Fit the Center Rail Bracket to the Footboard Panel (B).

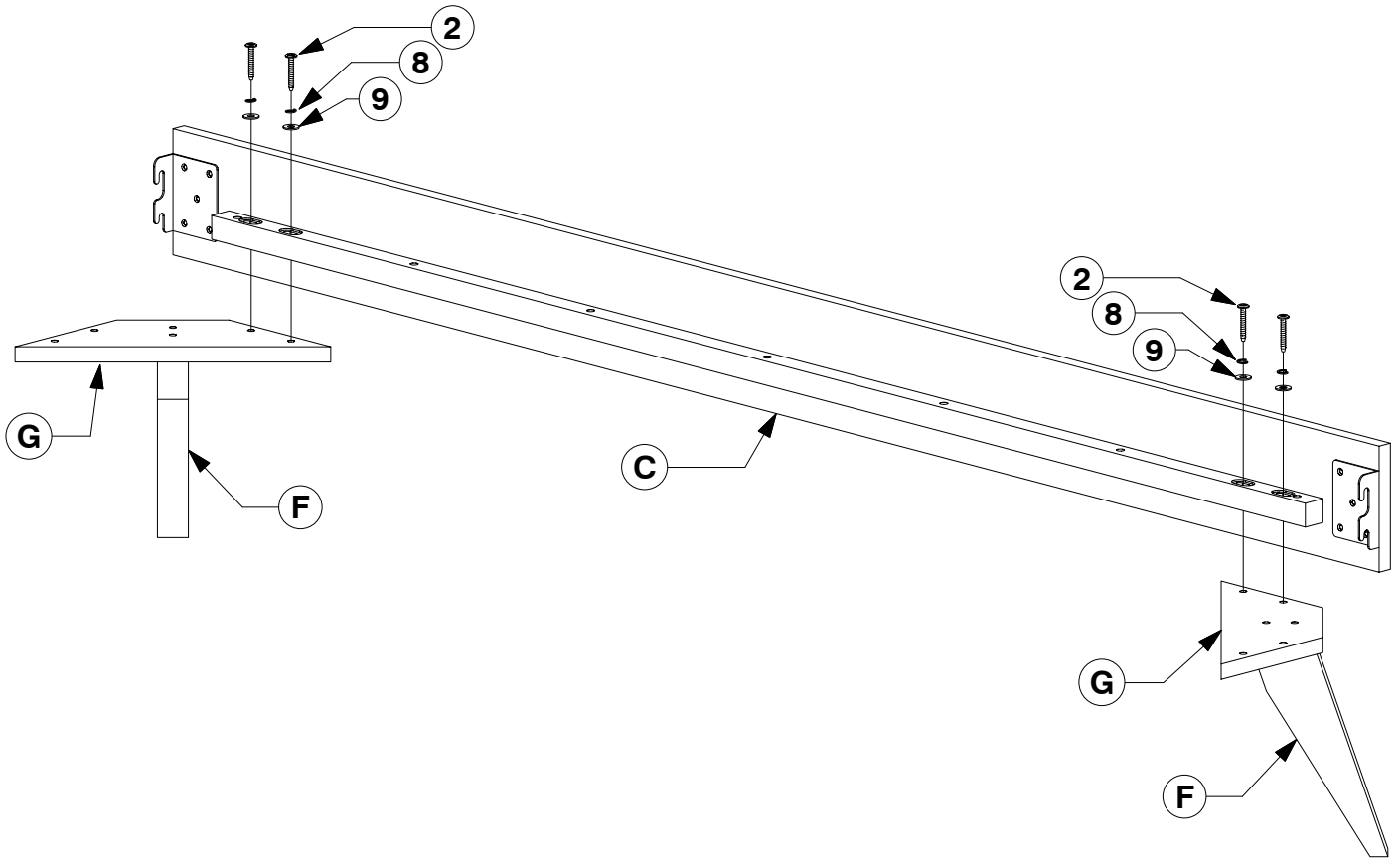


# Full Bed

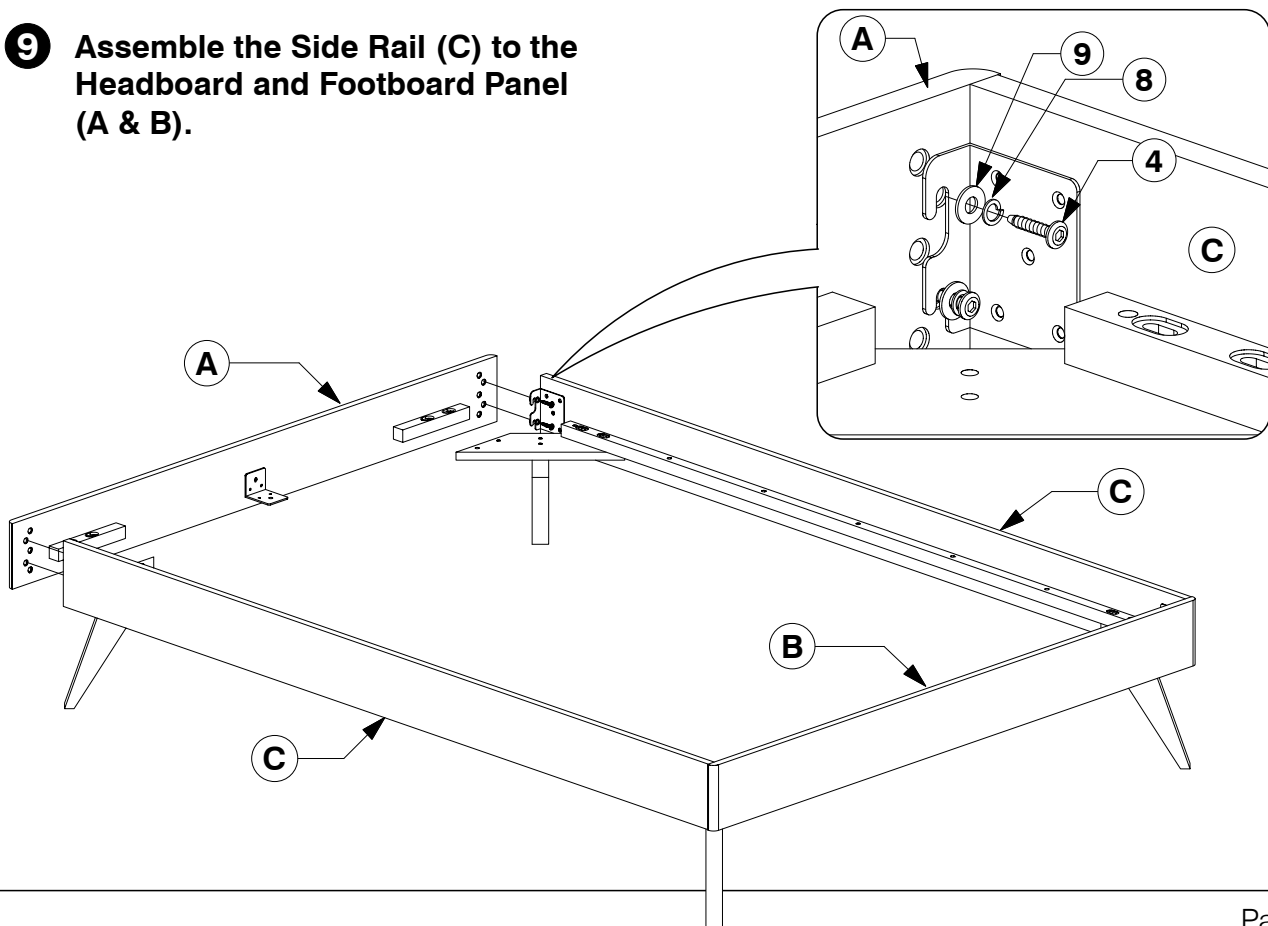
Assembly Instructions

0818

**8** Bolt the assembled Support Panel (G) to the Side Rail (C).



**9** Assemble the Side Rail (C) to the Headboard and Footboard Panel (A & B).

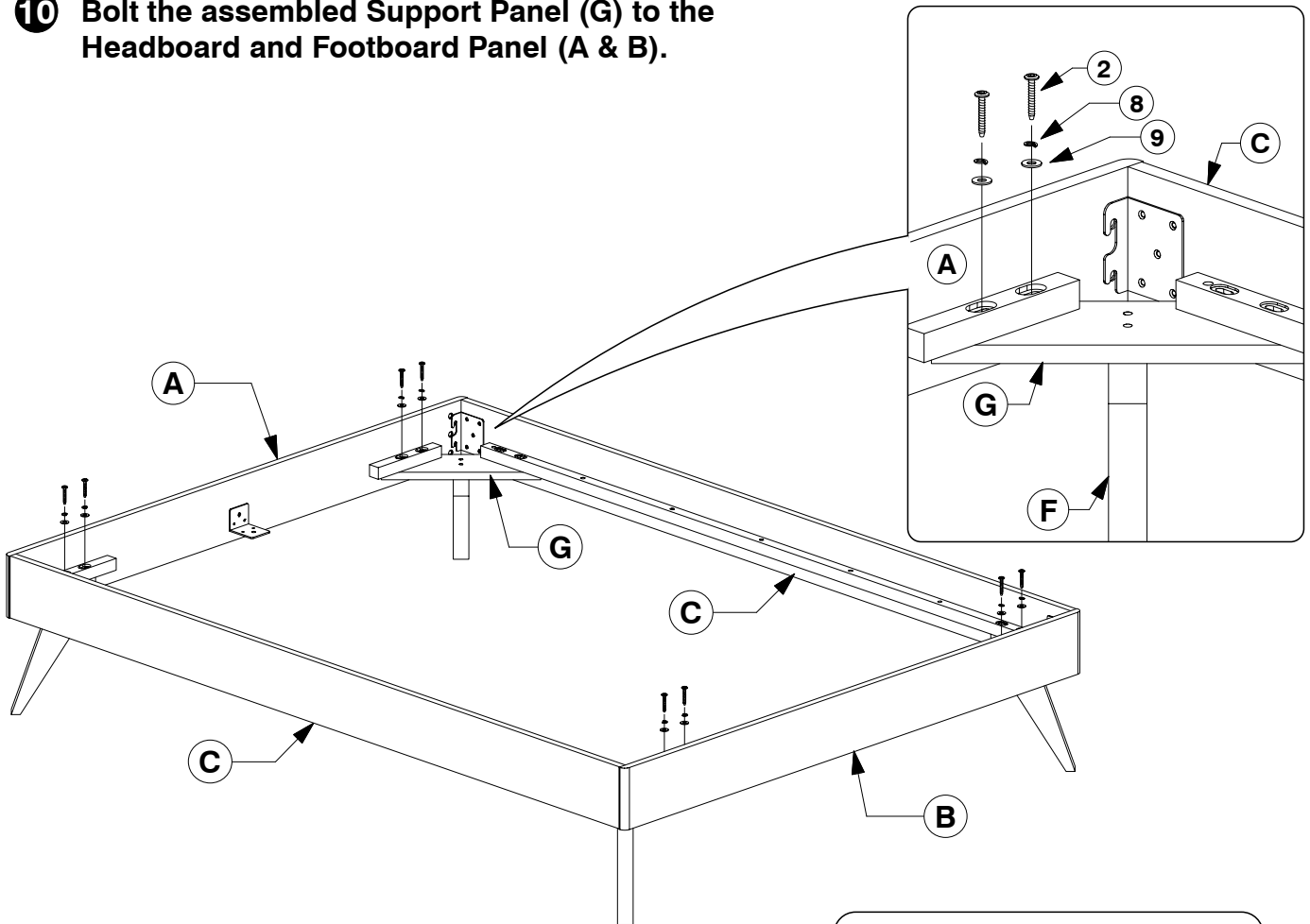


# Full Bed

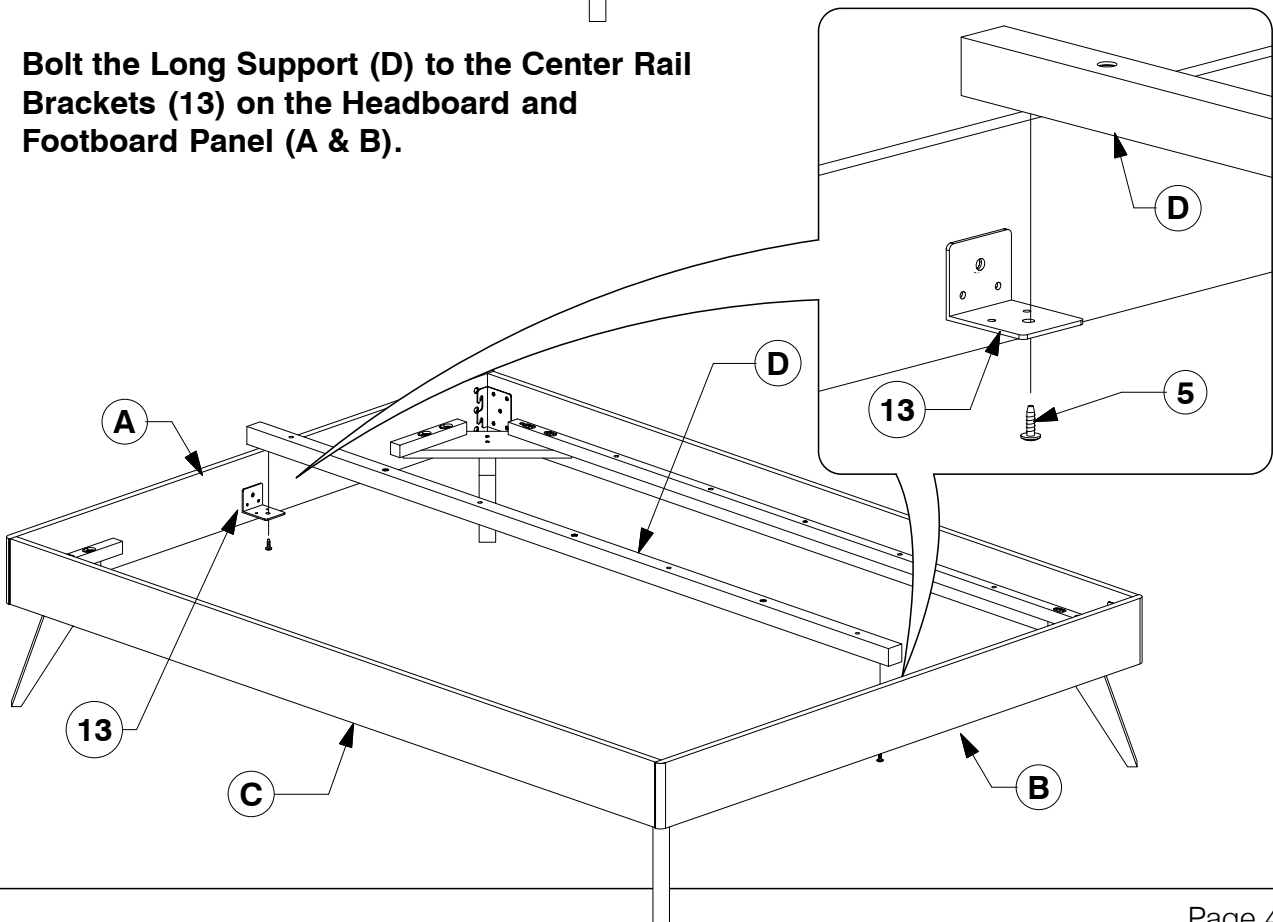
## Assembly Instructions

0818

- 10** Bolt the assembled Support Panel (G) to the Headboard and Footboard Panel (A & B).



- 11** Bolt the Long Support (D) to the Center Rail Brackets (13) on the Headboard and Footboard Panel (A & B).

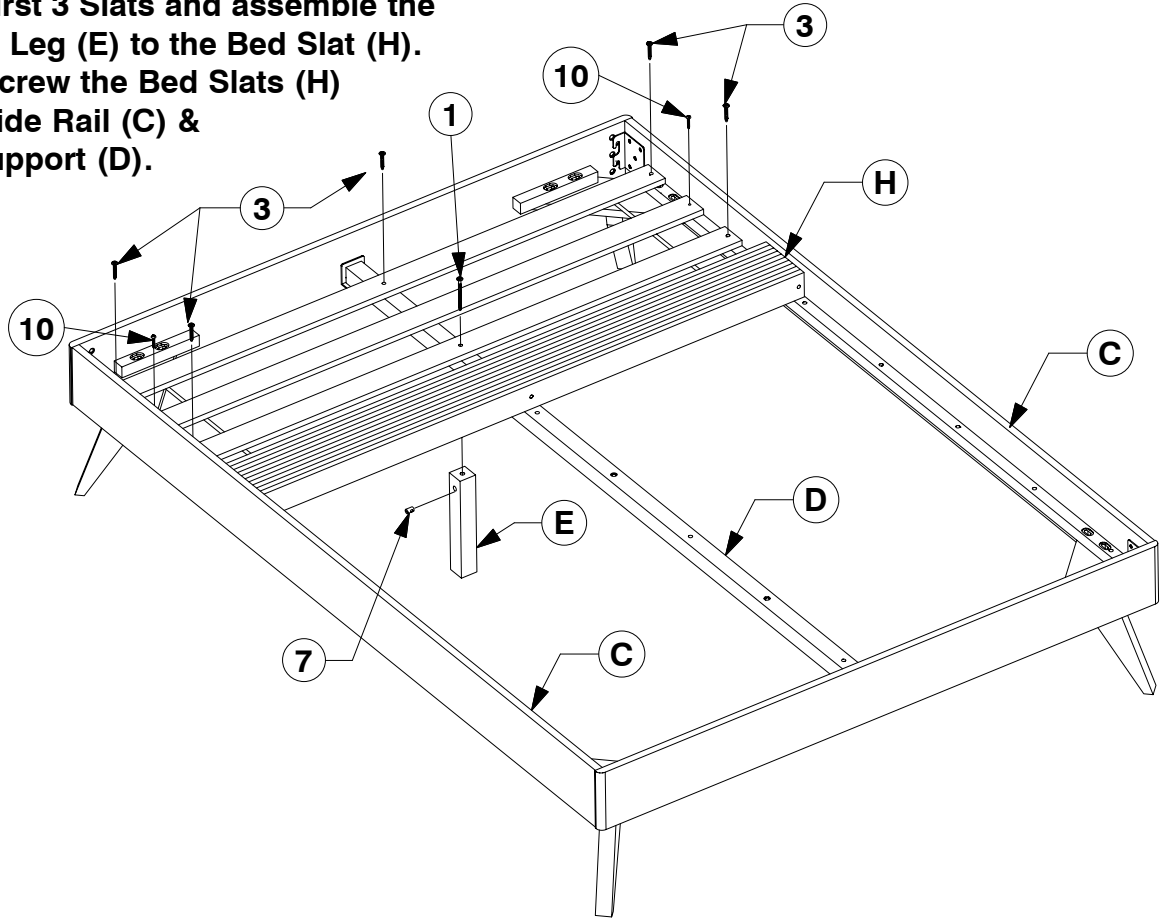


# Full Bed

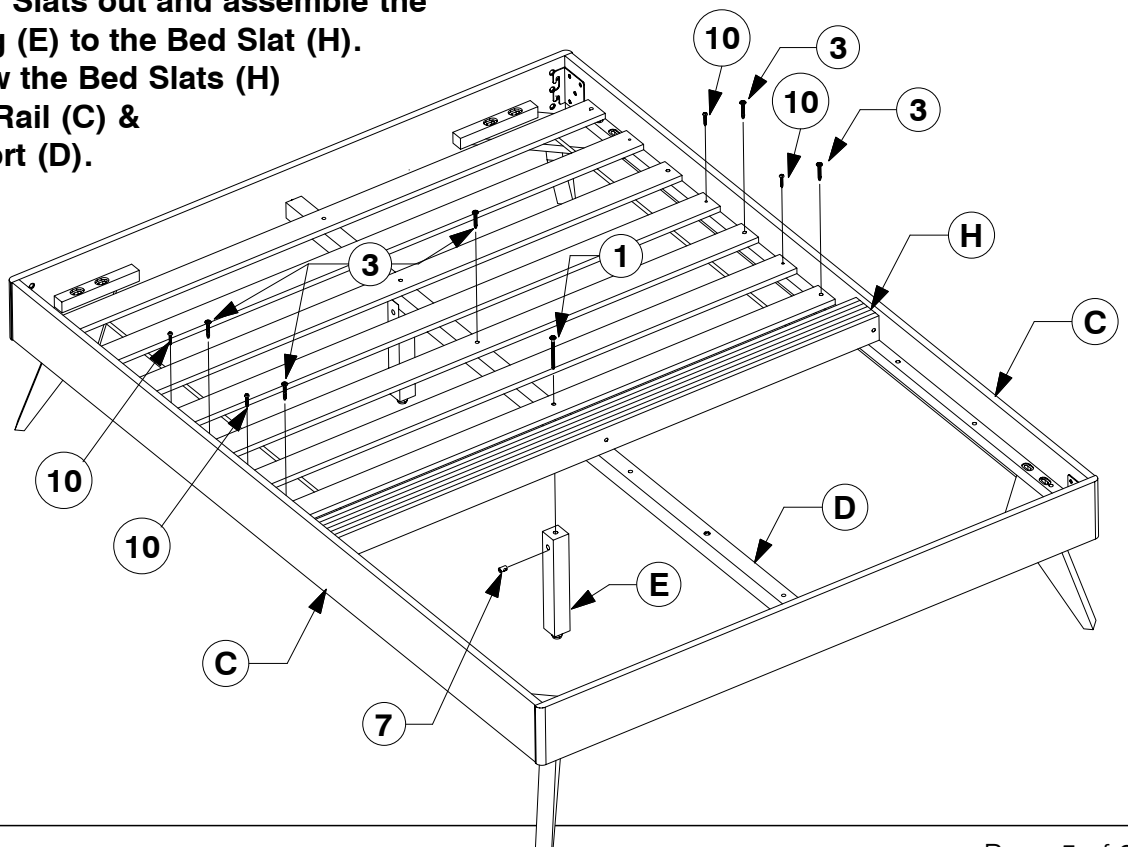
## Assembly Instructions

0818

- 12** Fit the first 3 Slats and assemble the Support Leg (E) to the Bed Slat (H). Bolt & screw the Bed Slats (H) to the Side Rail (C) & Long Support (D).



- 13** Fit the other Slats out and assemble the Support Leg (E) to the Bed Slat (H). Bolt & screw the Bed Slats (H) to the Side Rail (C) & Long Support (D).

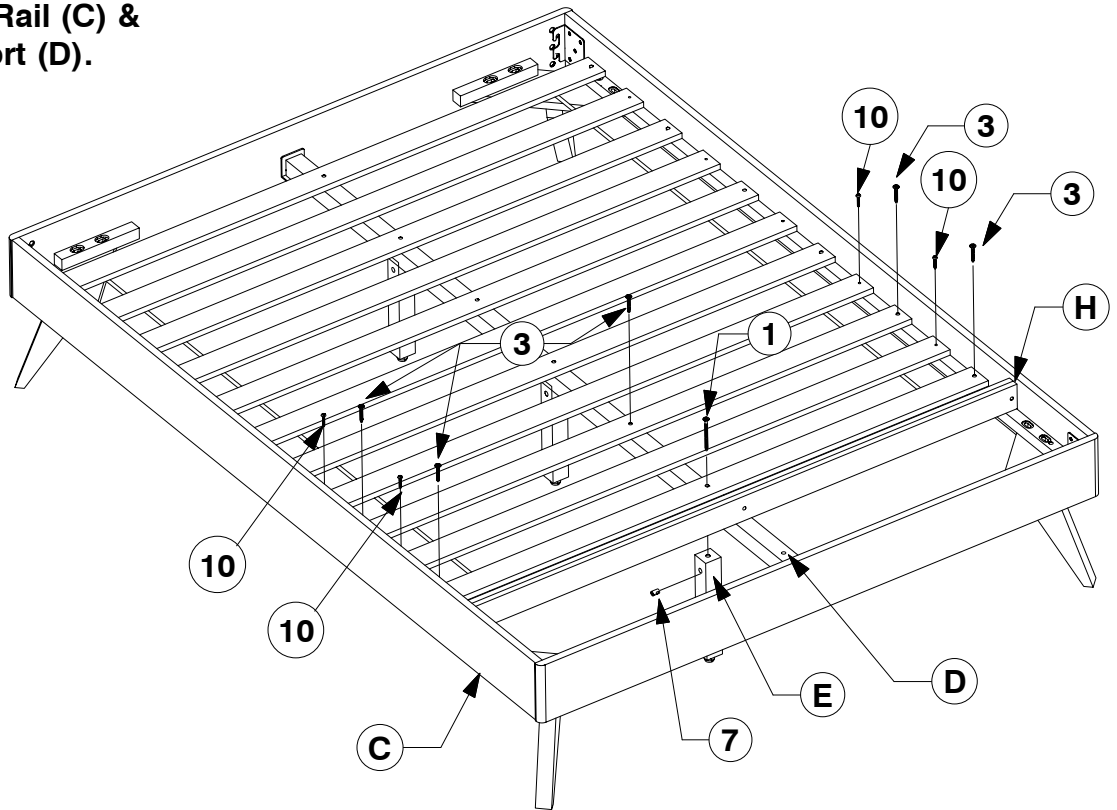


# Full Bed

## Assembly Instructions

0818

- 14** Fit the other Slats out and assemble the Support Leg (E) to the Bed Slat (H). Bolt & screw the Bed Slats (H) to the Side Rail (C) & Long Support (D).



- 15** Bolt & screw the remaining Bed Slats (H) to the Side Rail (C).

