

WYRE 17" VESSEL

Cat. No
4-153WH



Features:

- ▶ Above counter basin
- ▶ Vitreous china for durability
- ▶ Pre-drilled overflow
- ▶ Drain not provided
- ▶ Can be used with grid drain #5600 or #57080 (Not included)

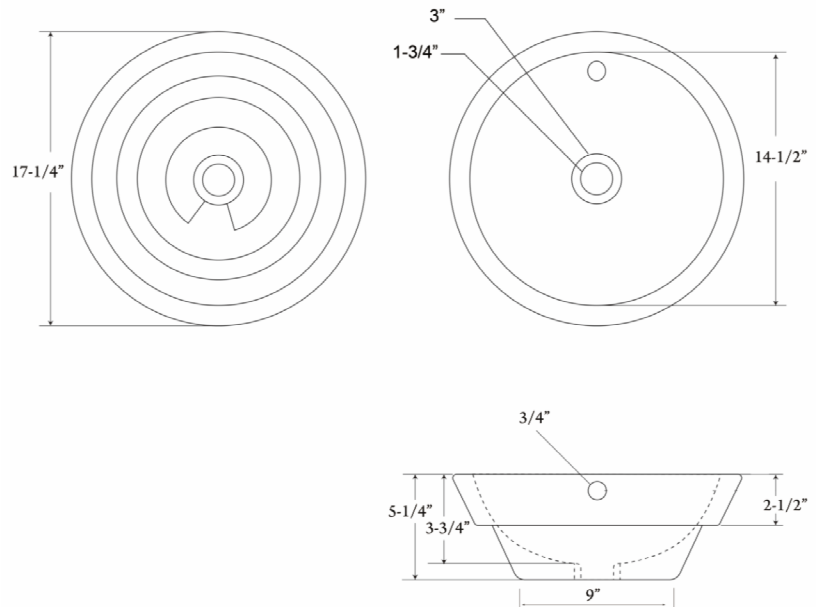
Diameter:	17-1/4"
Above counter height:	5-1/4"
Water depth to overflow:	2-1/2"
Base:	9"

Compliance Certification

Meets or exceeds the following specifications: ASME A112.19.2 2018 and CSA B45.1-18 for ceramic plumbing fixtures.

Colors:
WH White

***Please do NOT drill hole without template or actual product.**



Interior Dimensions:

Basin Diameter:	14-1/2"
Basin Depth:	3-3/4"
Back of basin to center of drain:	8-5/8"

Dimensions of fixture are nominal and may vary within the range of tolerances established by AMSE Standard A112.19.2.2018 Dimensions and specifications subject to change without notice.