

Justice Design Group Installation Instructions

1-Light Sconce

For Model: FSN-8371-OPAL

IMPORTANT

- Justice Design recommends that a licensed electrician install this lighting fixture
- Installation must comply with all building, safety, and electrical codes and requirements
- Disconnect power to the junction box prior to installation
- Do not reconnect power until this fixture is properly installed
- This fixture is designed to mount to a standard metal 4-0 octagonal junction box

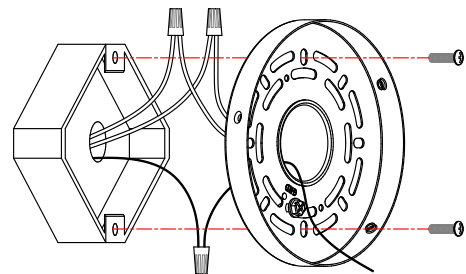


Hardware Pack contains:

- A. (2) Mounting Screws
- B. (3) Wire Nuts

1

Attach the mounting plate to junction box using mounting screws(A).
Note: The side of the mounting plate marked "GND" must face out. **The junction box is not included.**



1-Light Sconce

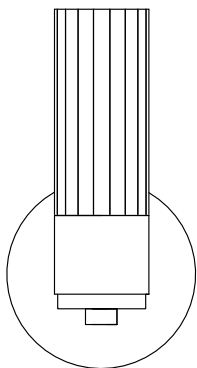
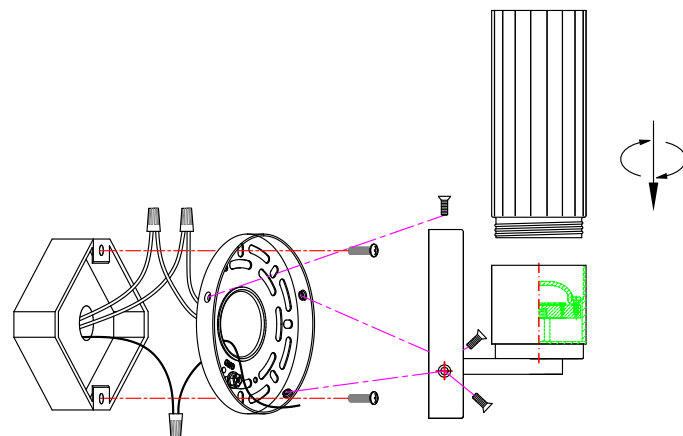
FSN-8371-OPAL

©12/09/2025

Justice Design Group page 2

2

1. While holding the lamp body towards the wall, connect the electrical wires. Observe polarity: black to power, white to neutral, and bare copper wire to green ground. Connect fixture wires to supply wires using wire nuts(B).
2. Attach lamp body to mounting plate then lock it securely with the flat Screws.
3. Secure the glass shade to lamp body.



FSN-8371-OPAL

**Your installation is now complete.
Return power to the junction box
and test the fixture.**