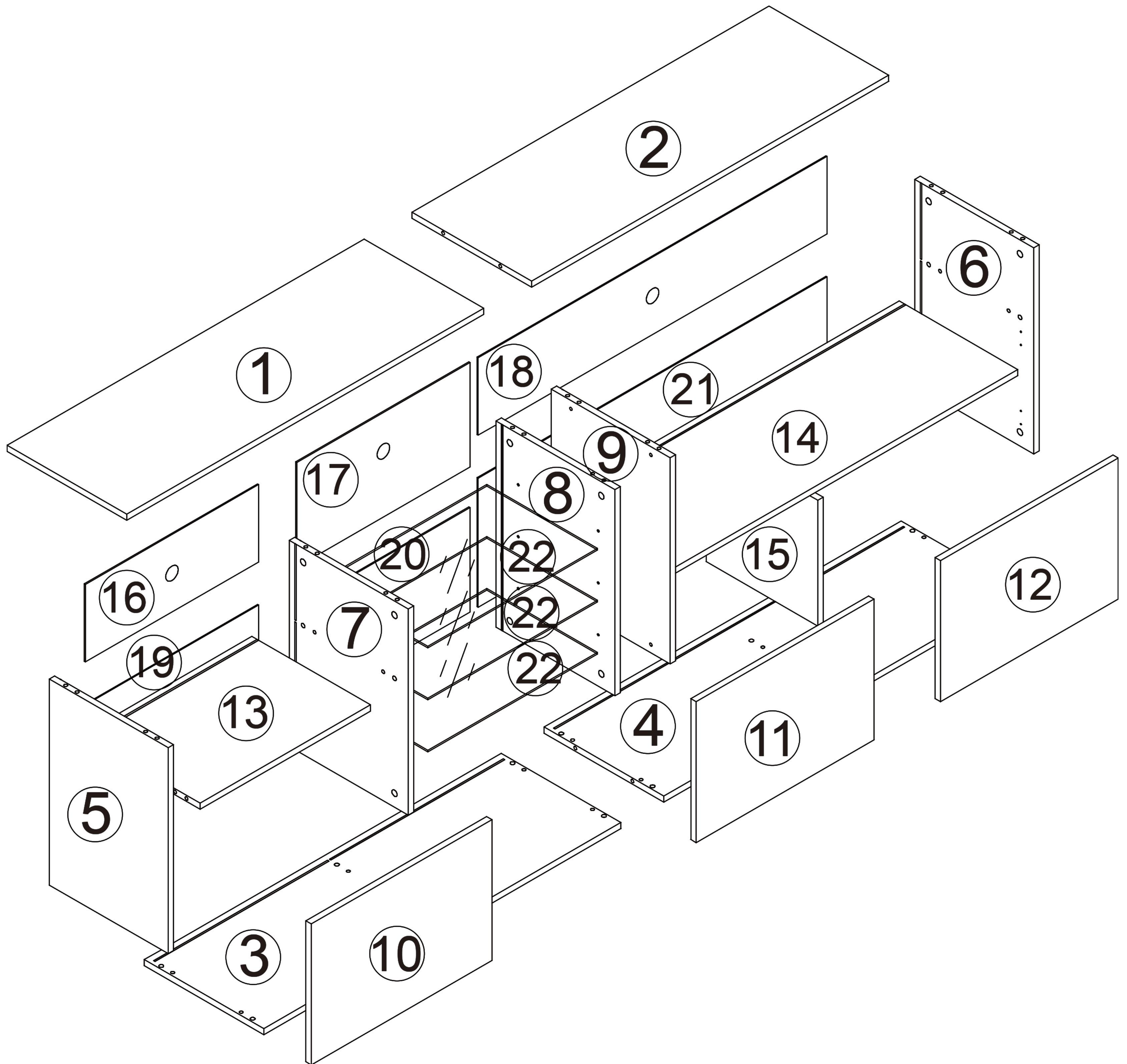


This unit is shipped in 2 boxes - do not start production until you receive both boxes - check your tracking or contact sales

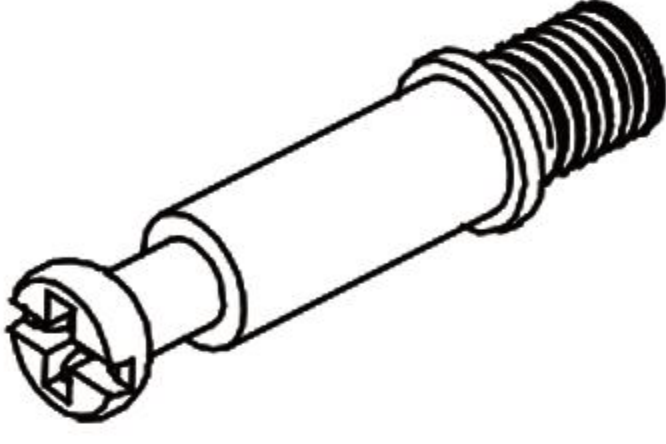

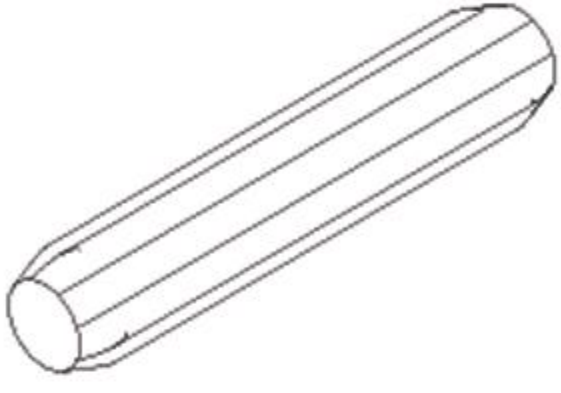
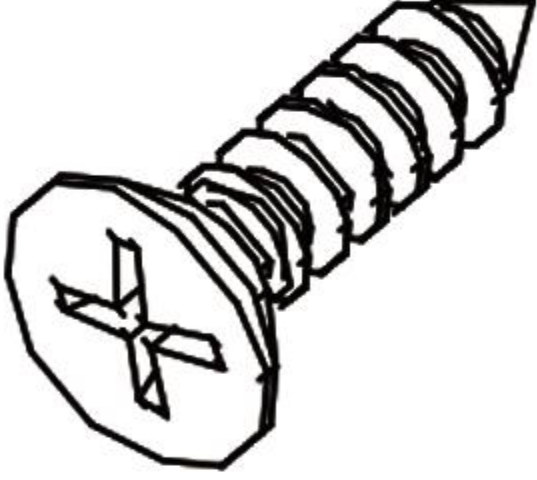
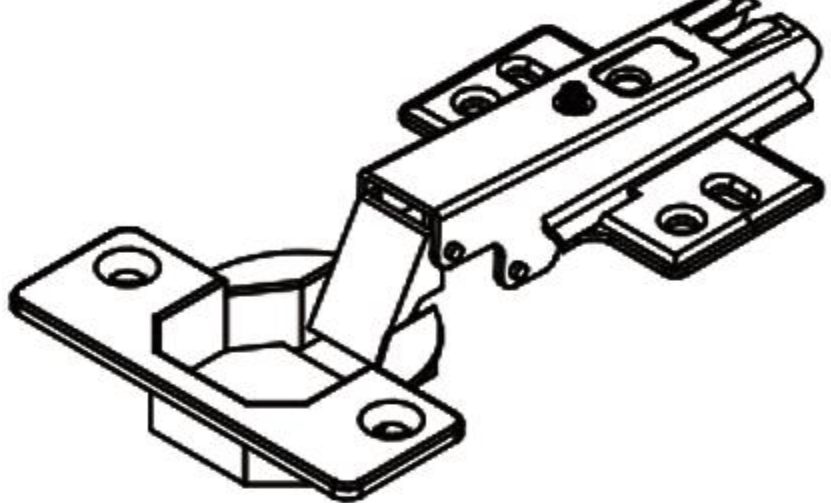
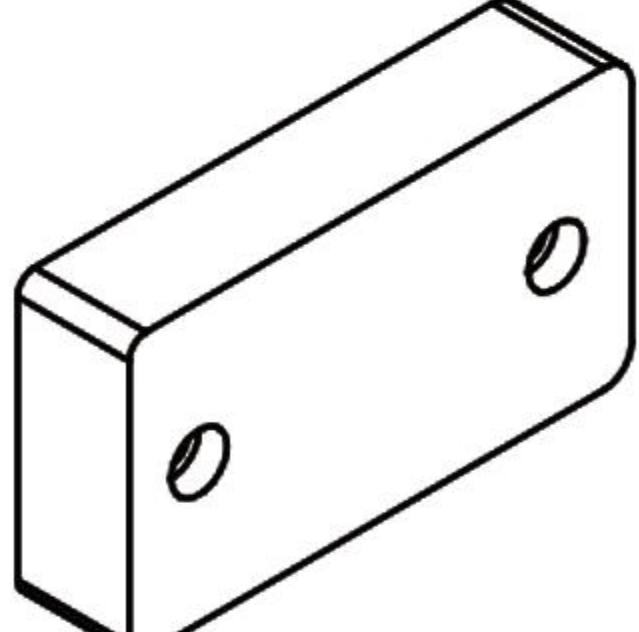
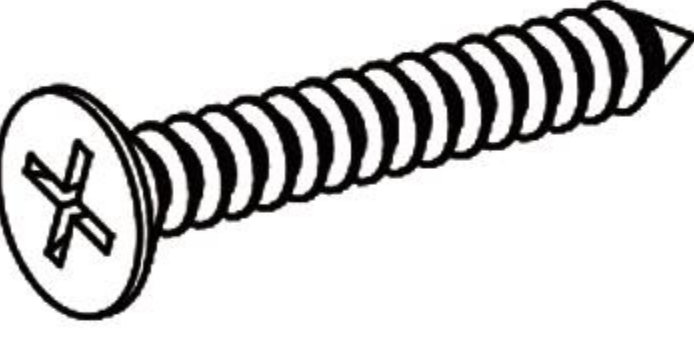
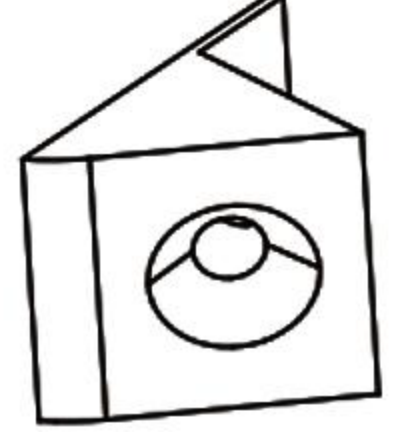
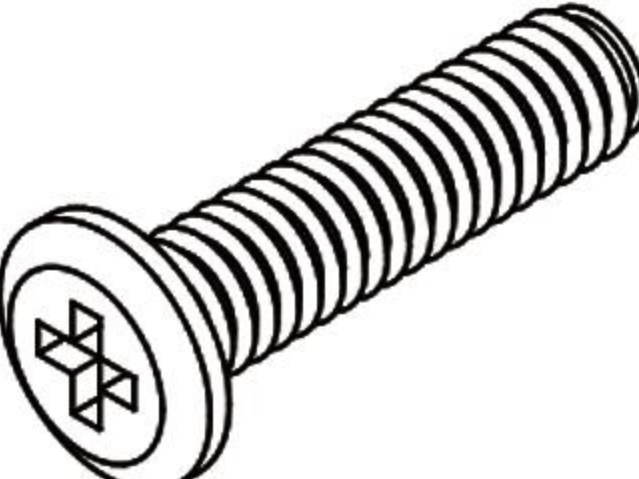
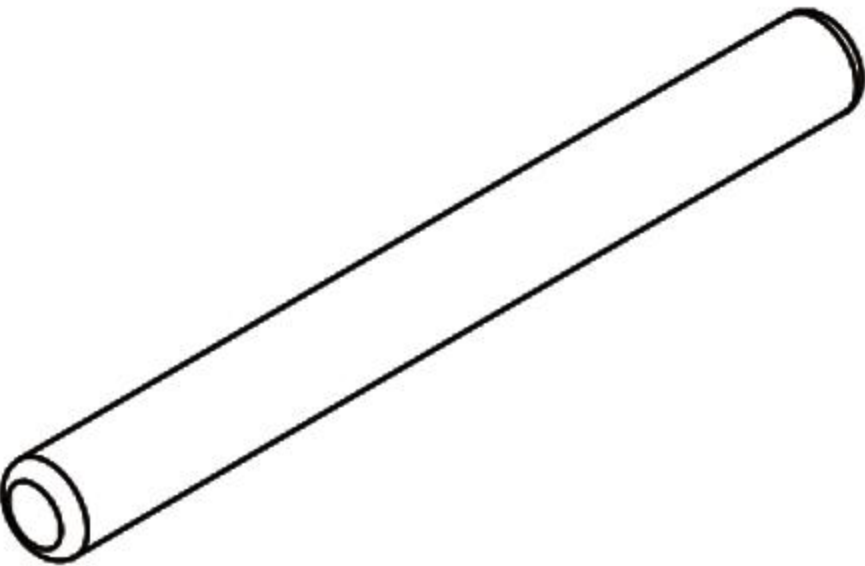
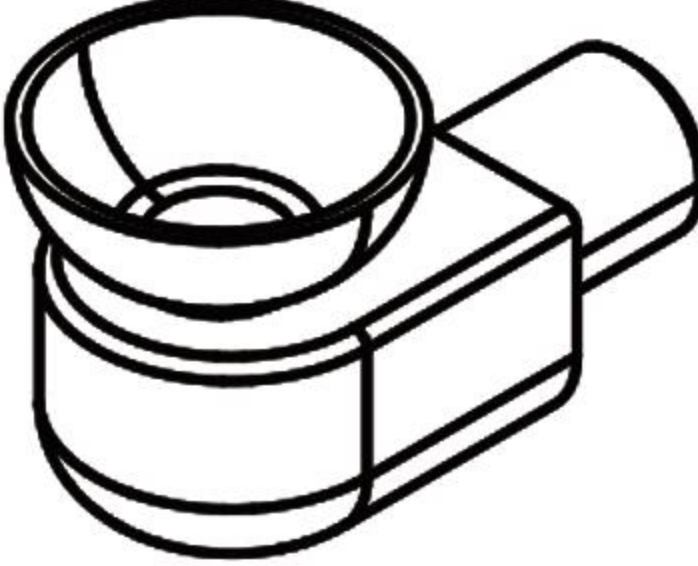
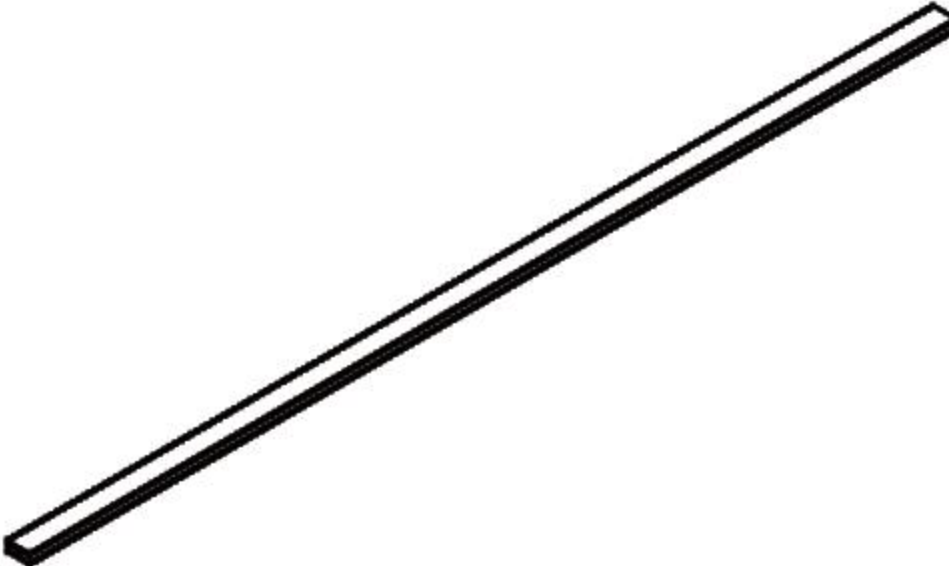
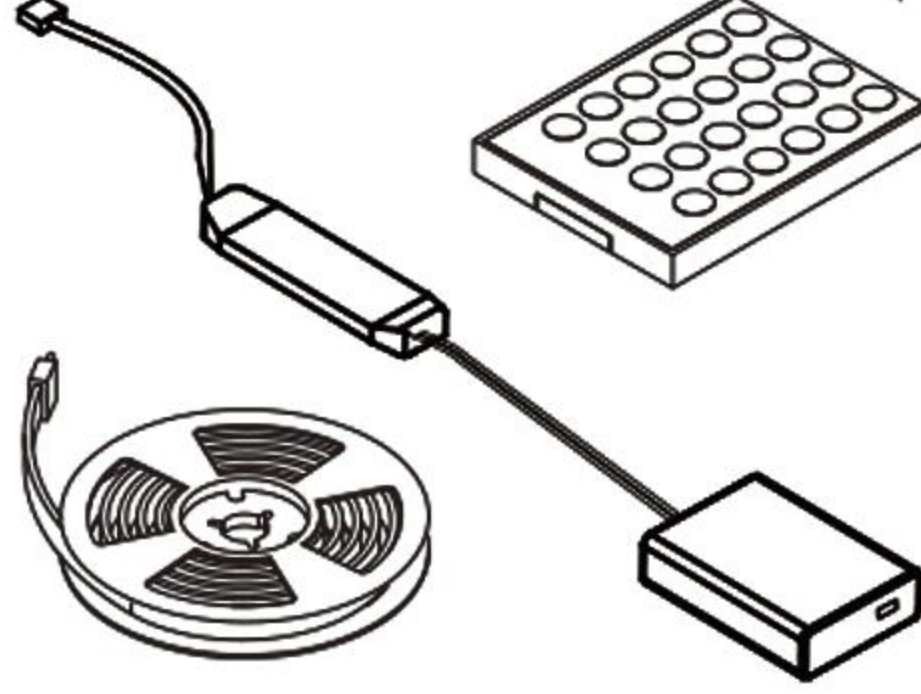
assembly guide



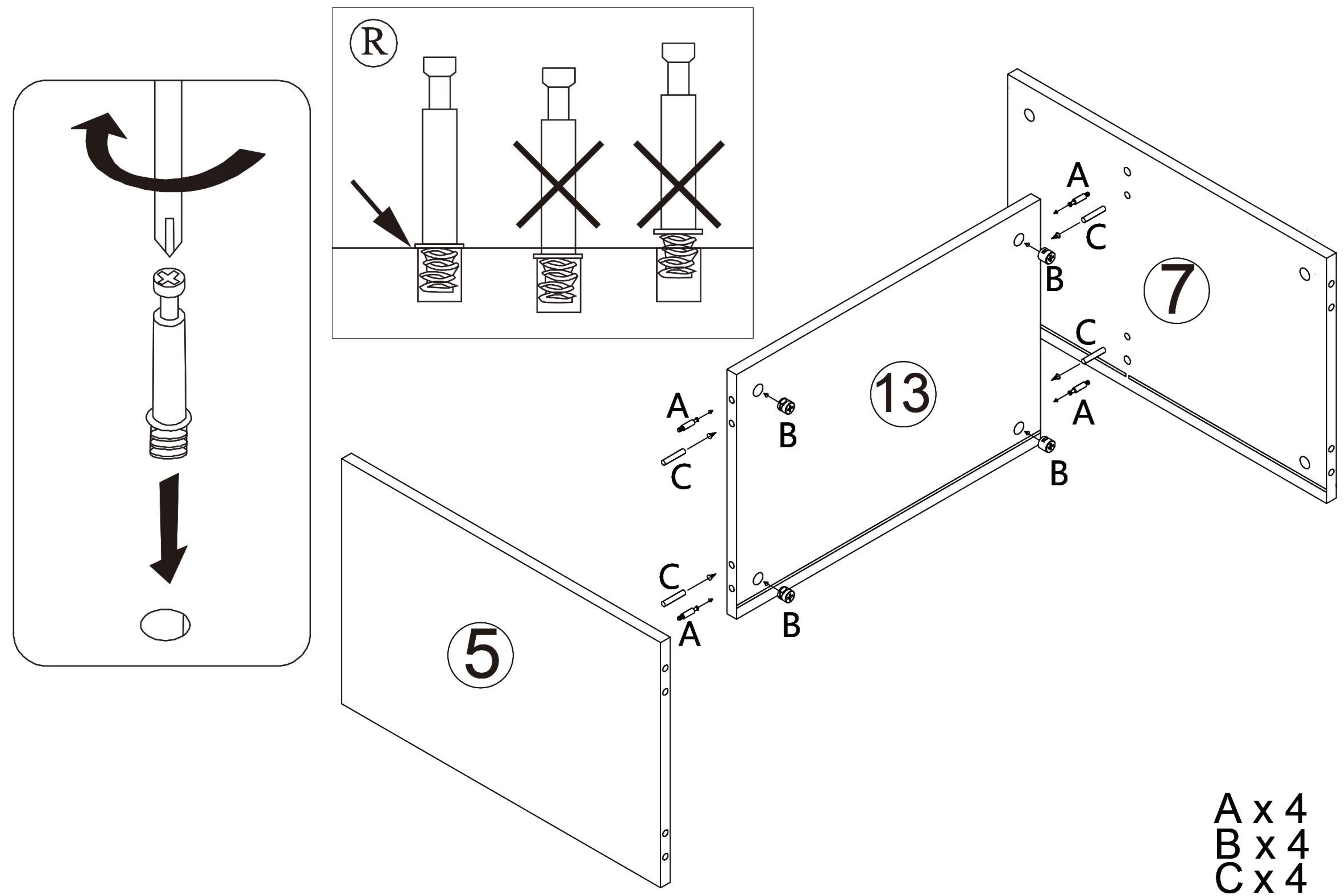
EXPLOSIVE VIEW



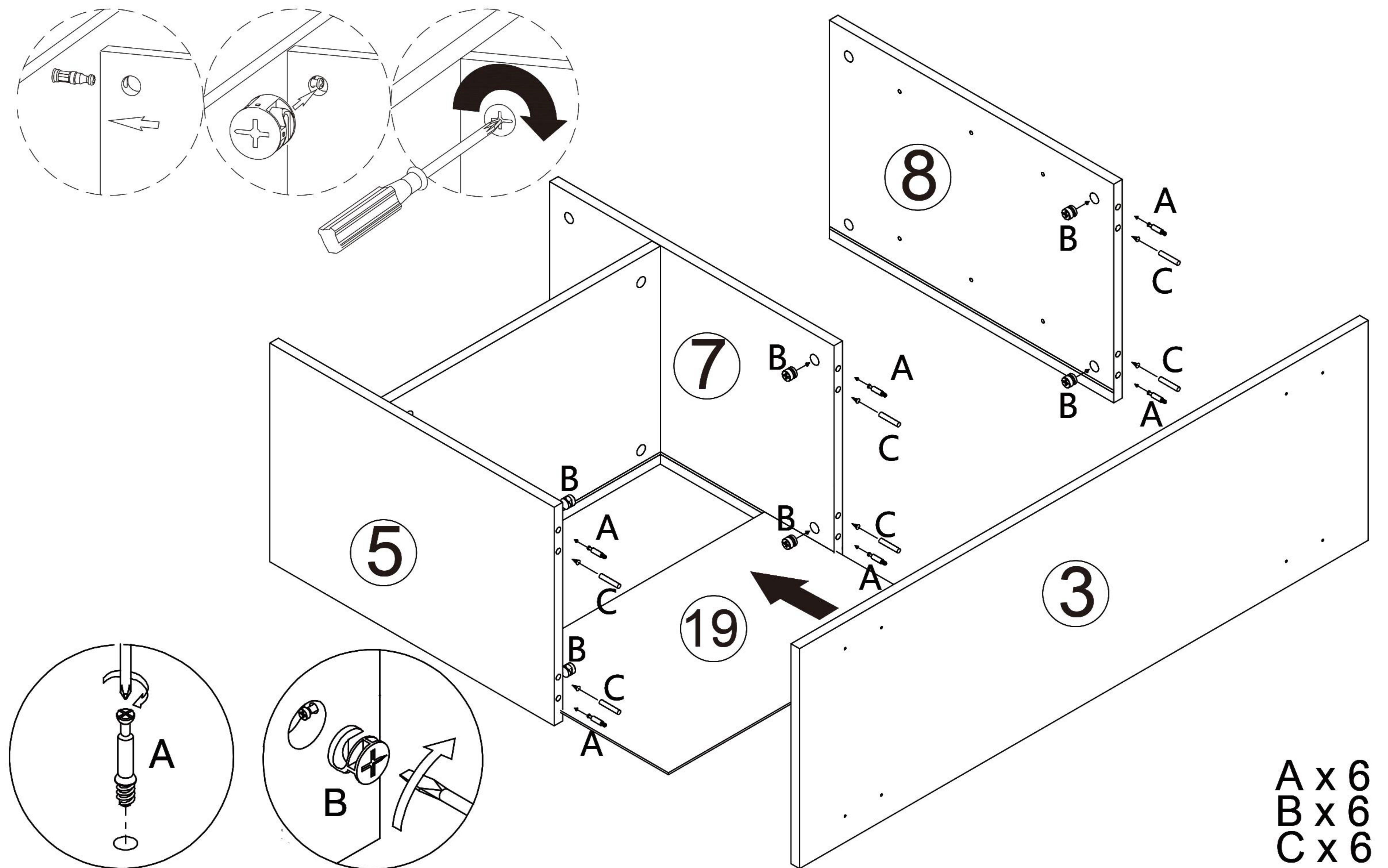
HARDWARE WATCH

 <p>A x 32</p>	 <p>B x 32</p>	 <p>C x 32</p>	 <p>D x 56</p>	 <p>E x 6</p>	 <p>F x 8</p>	 <p>G x 16</p>
 <p>H x 20</p>	 <p>J x 4</p>	 <p>K x 4</p>	 <p>L x 12</p>	 <p>M x 1</p>	 <p>N x 1</p>	

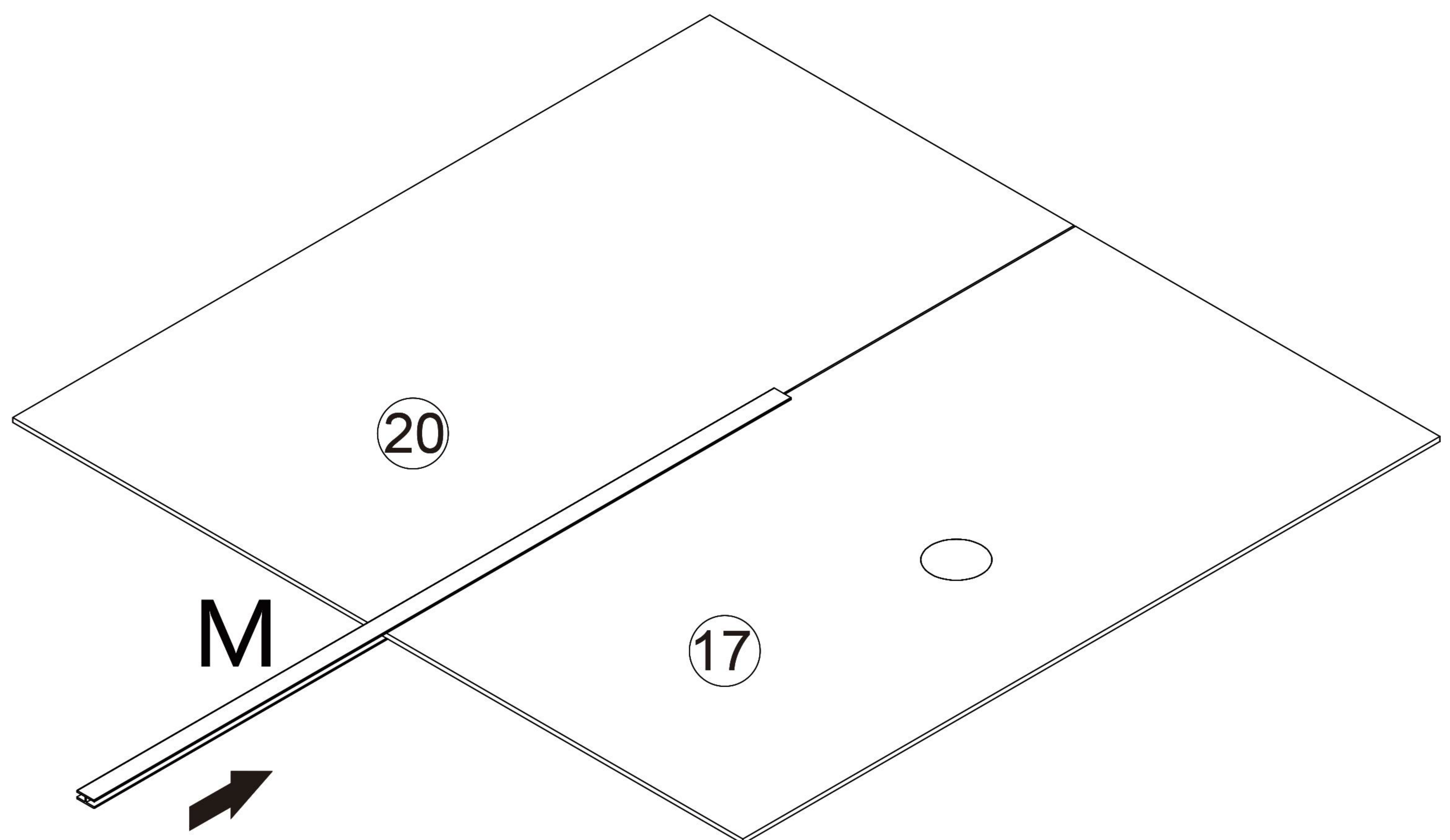
STEP 1



STEP 2

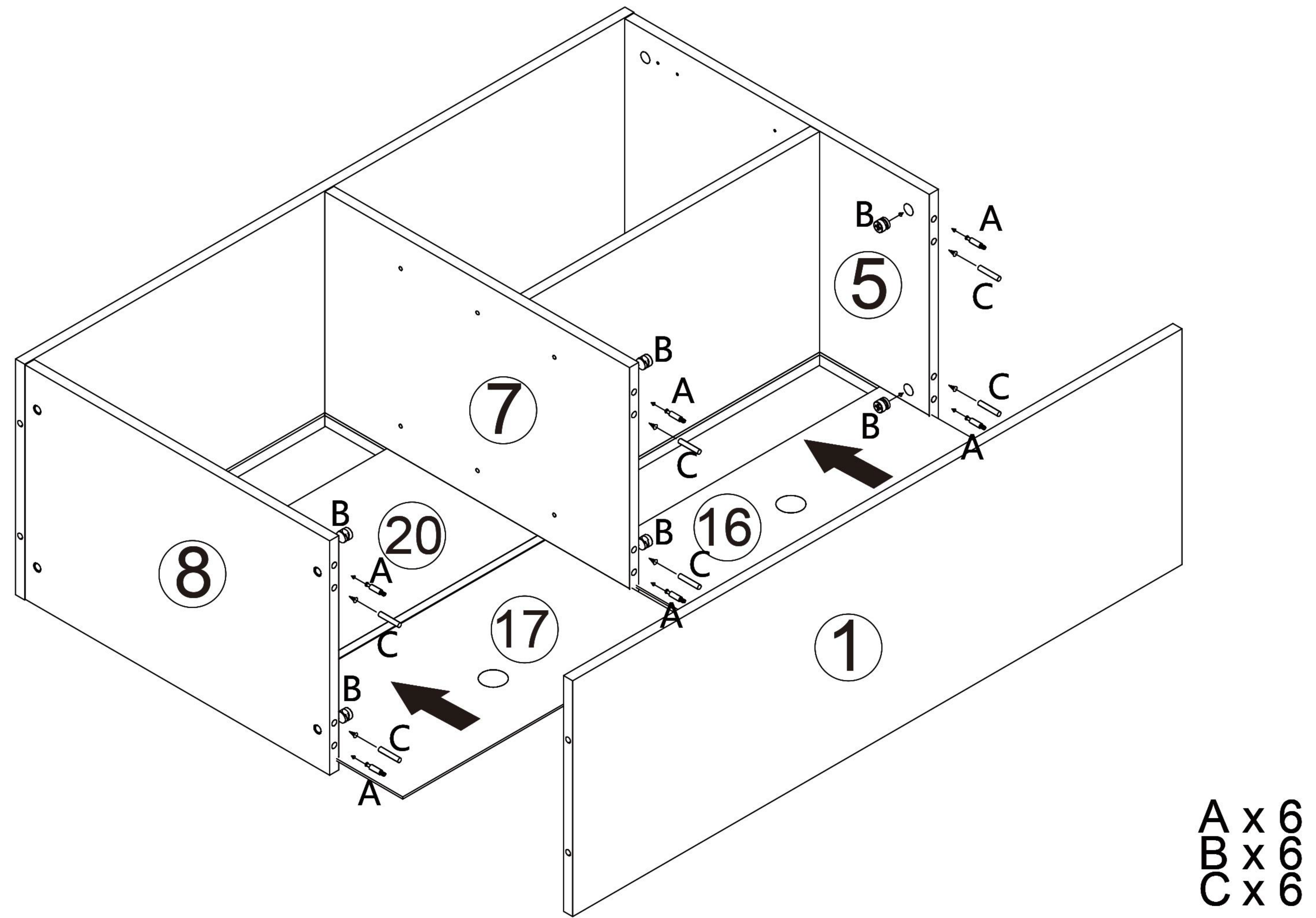


STEP 3

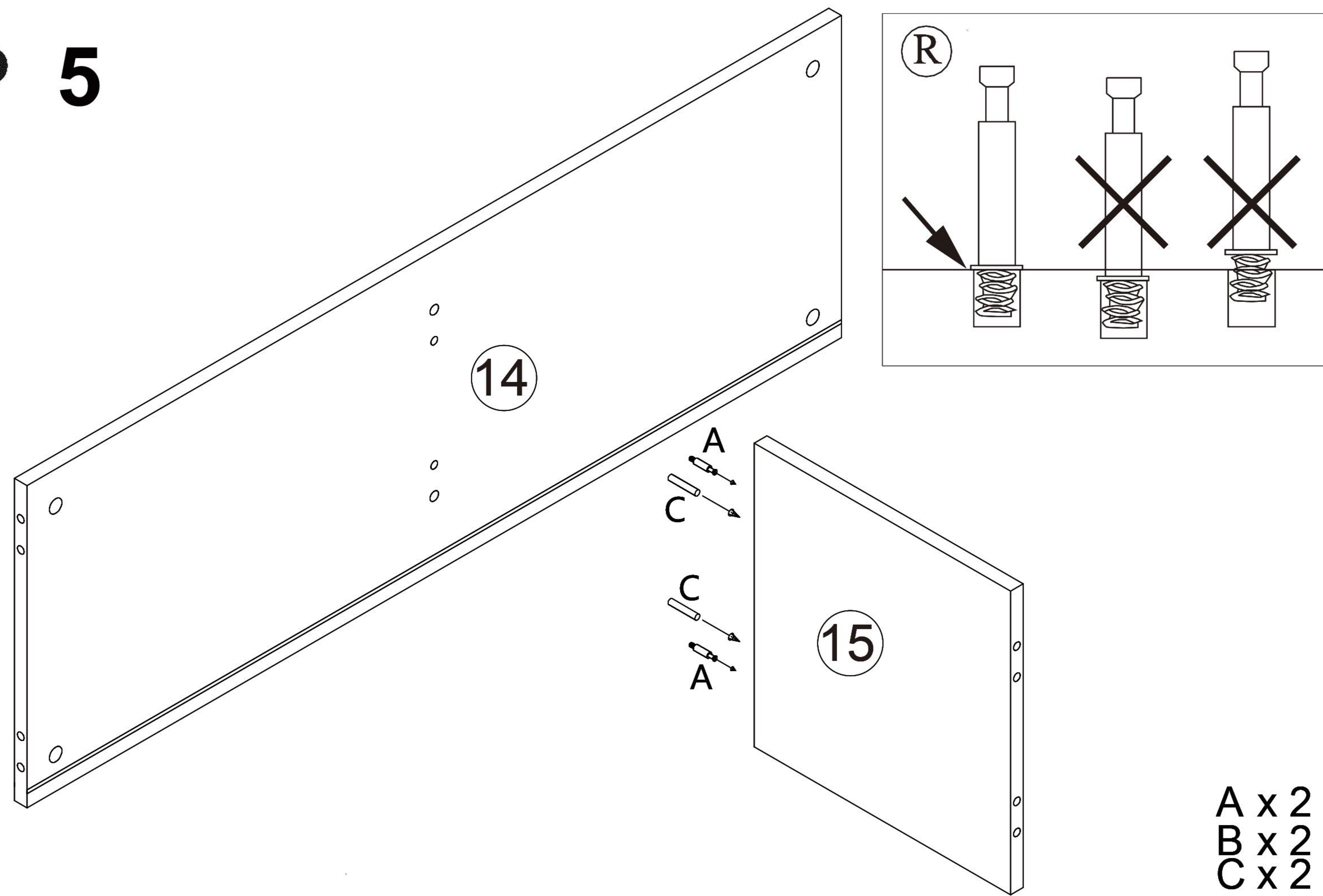


Mx1

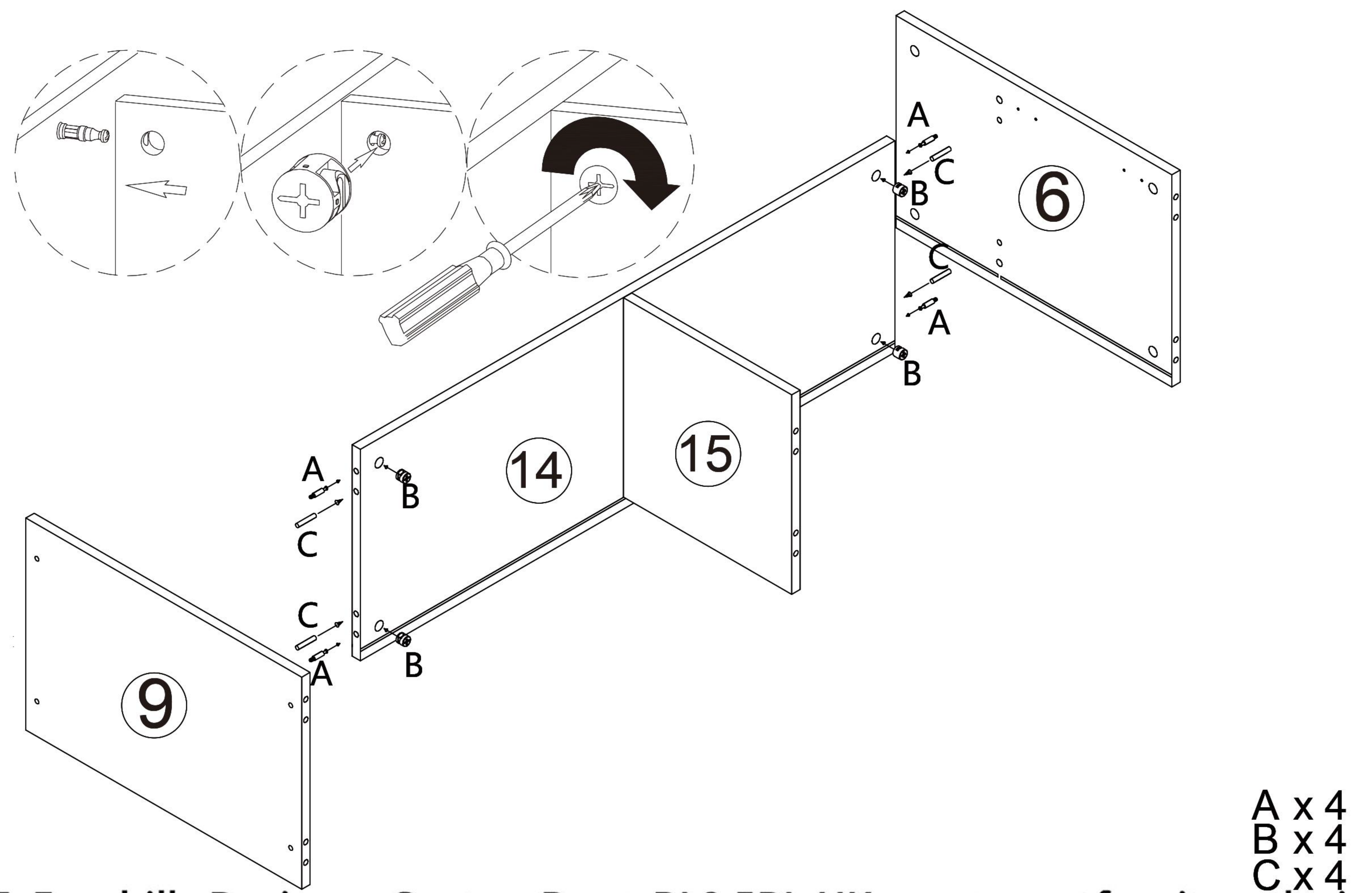
STEP 4



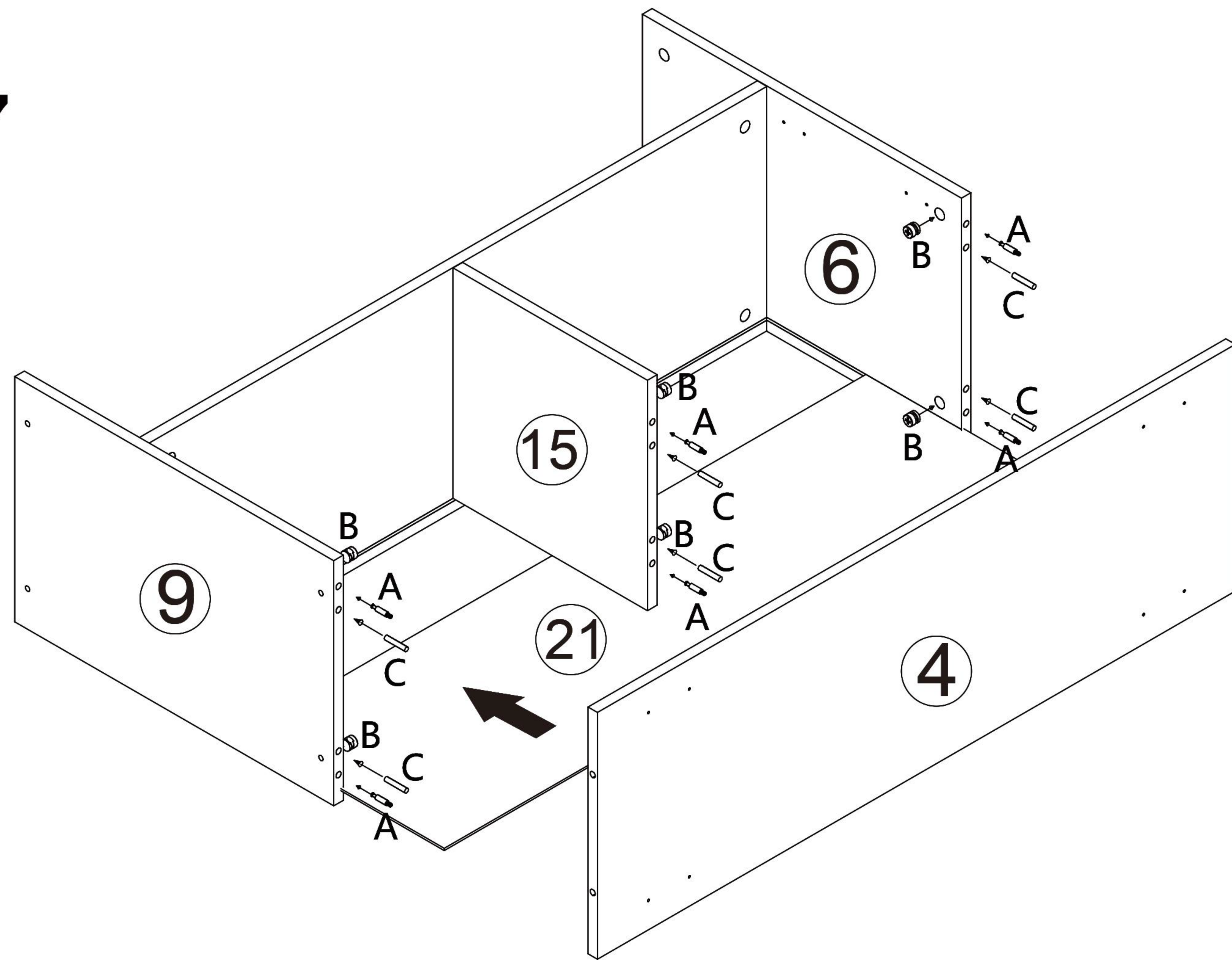
STEP 5



STEP 6

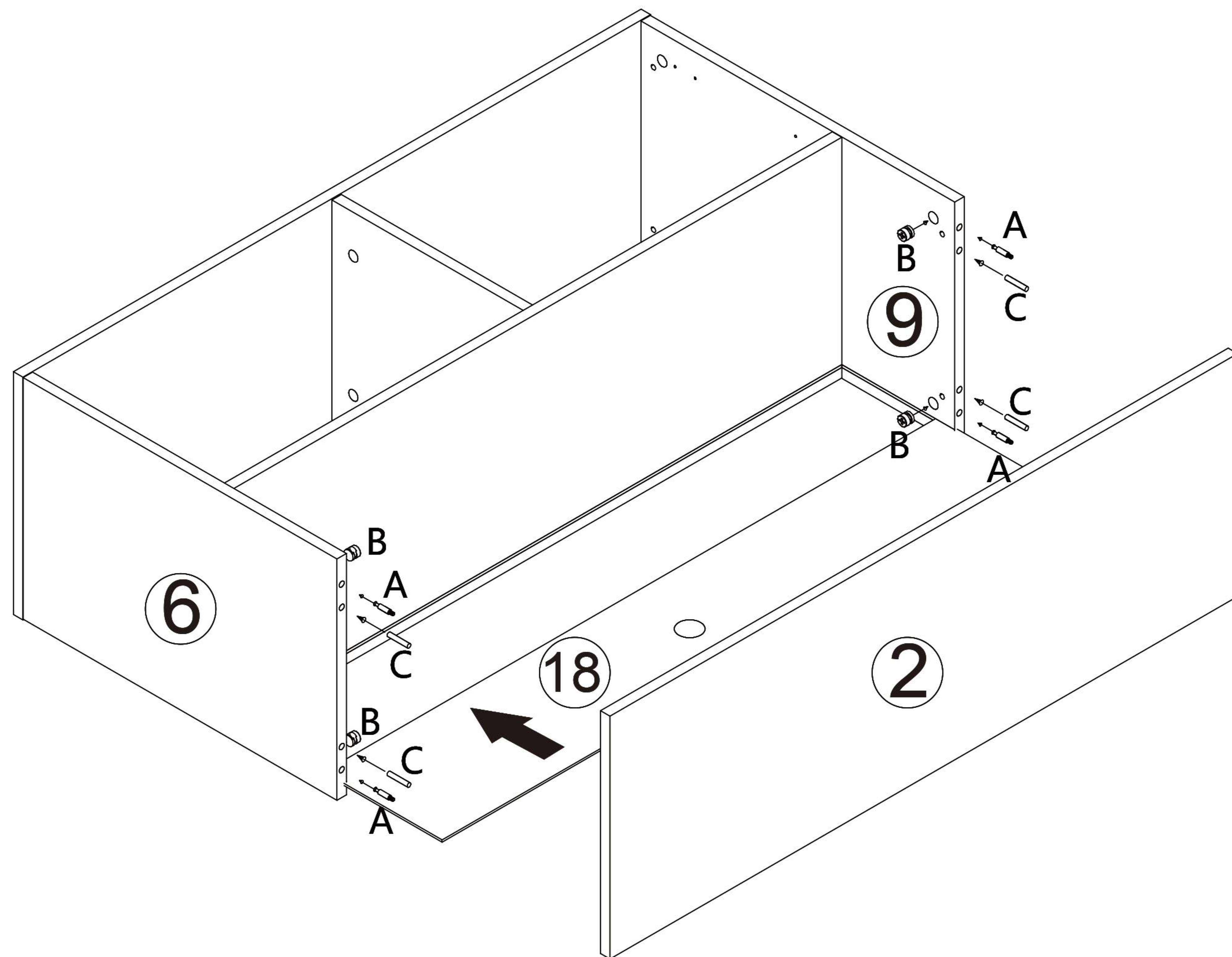


STEP 7



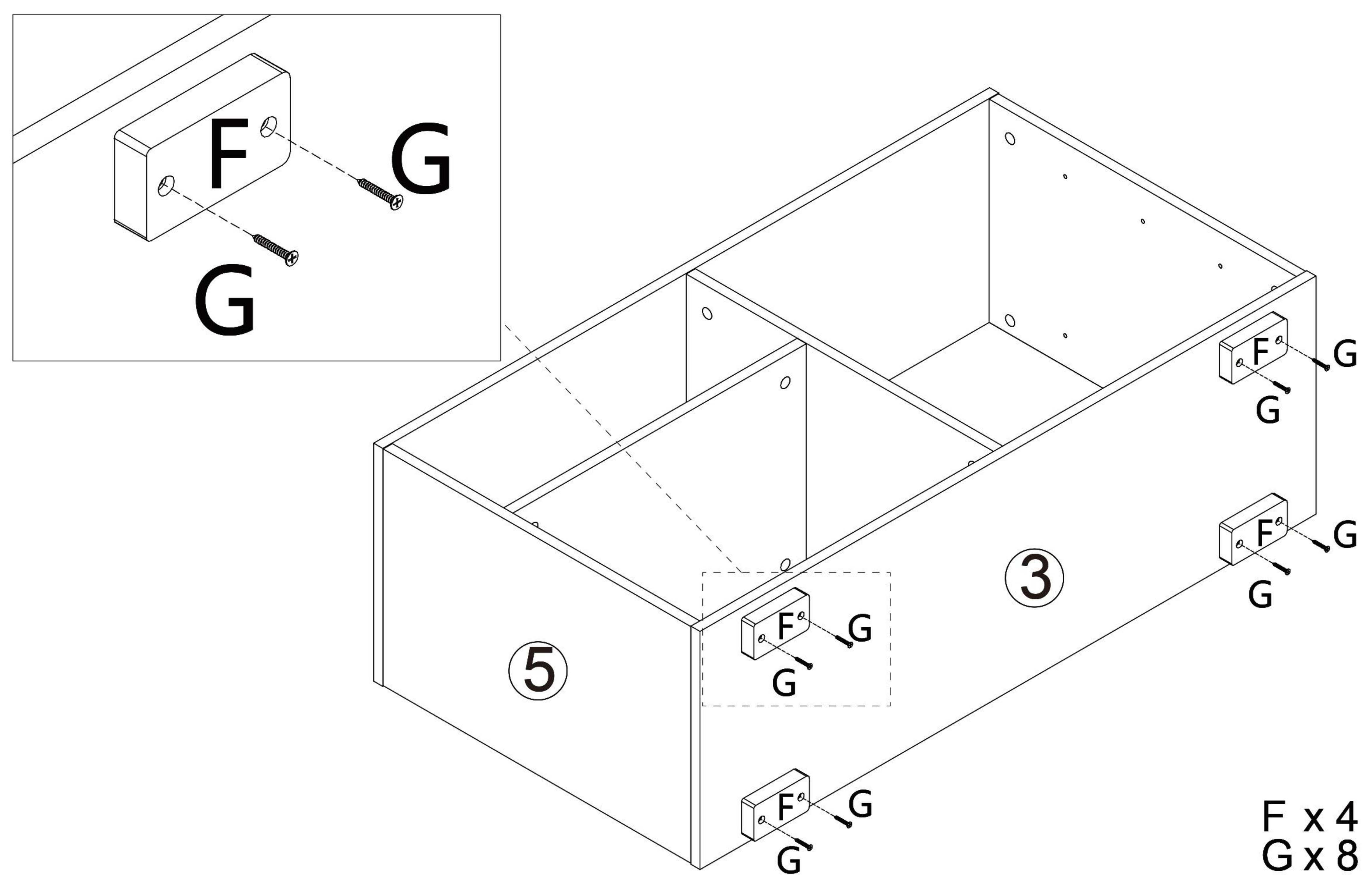
A x 6
B x 6
C x 6

STEP 8



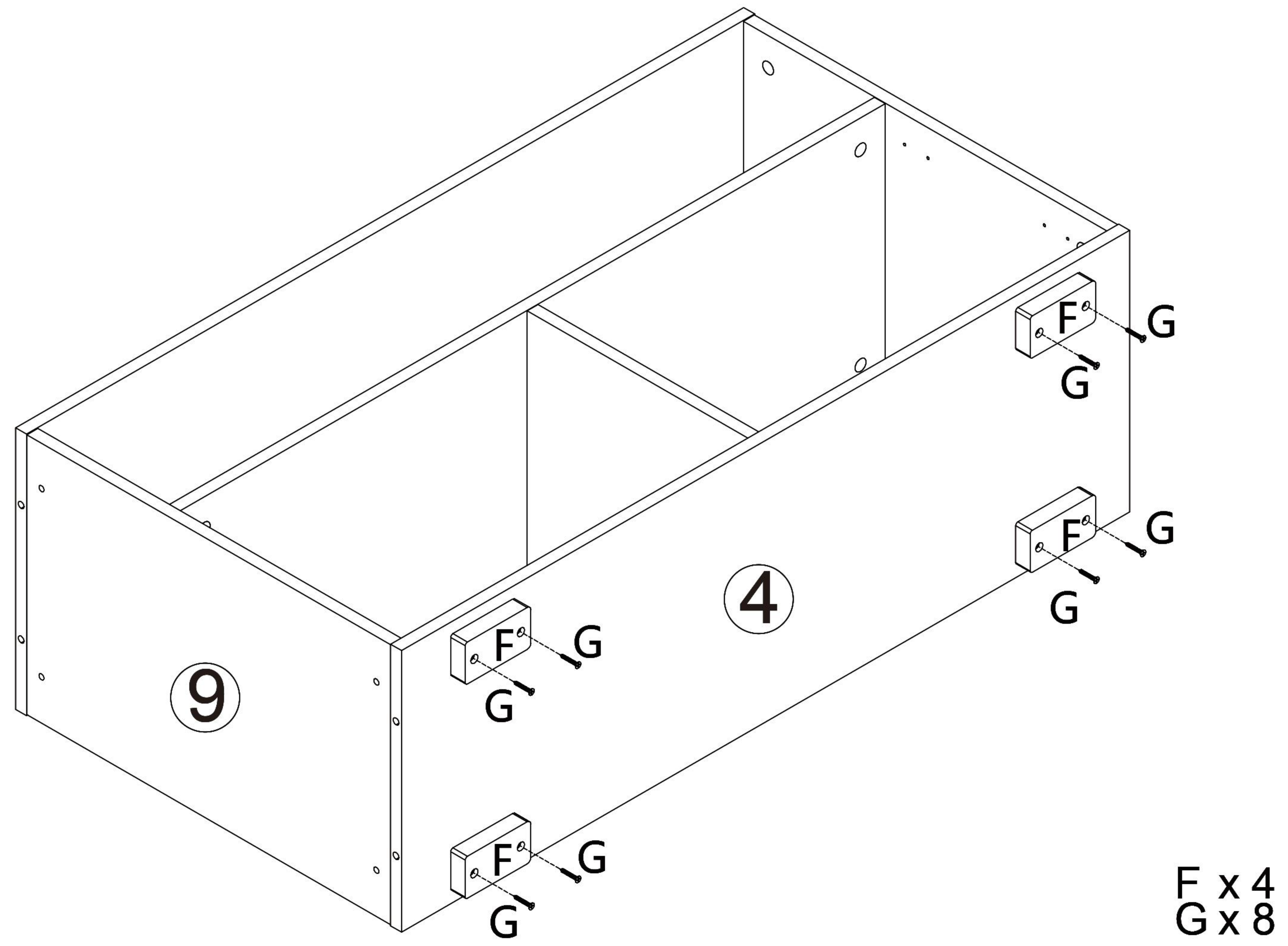
A x 4
B x 4
C x 4

STEP 9

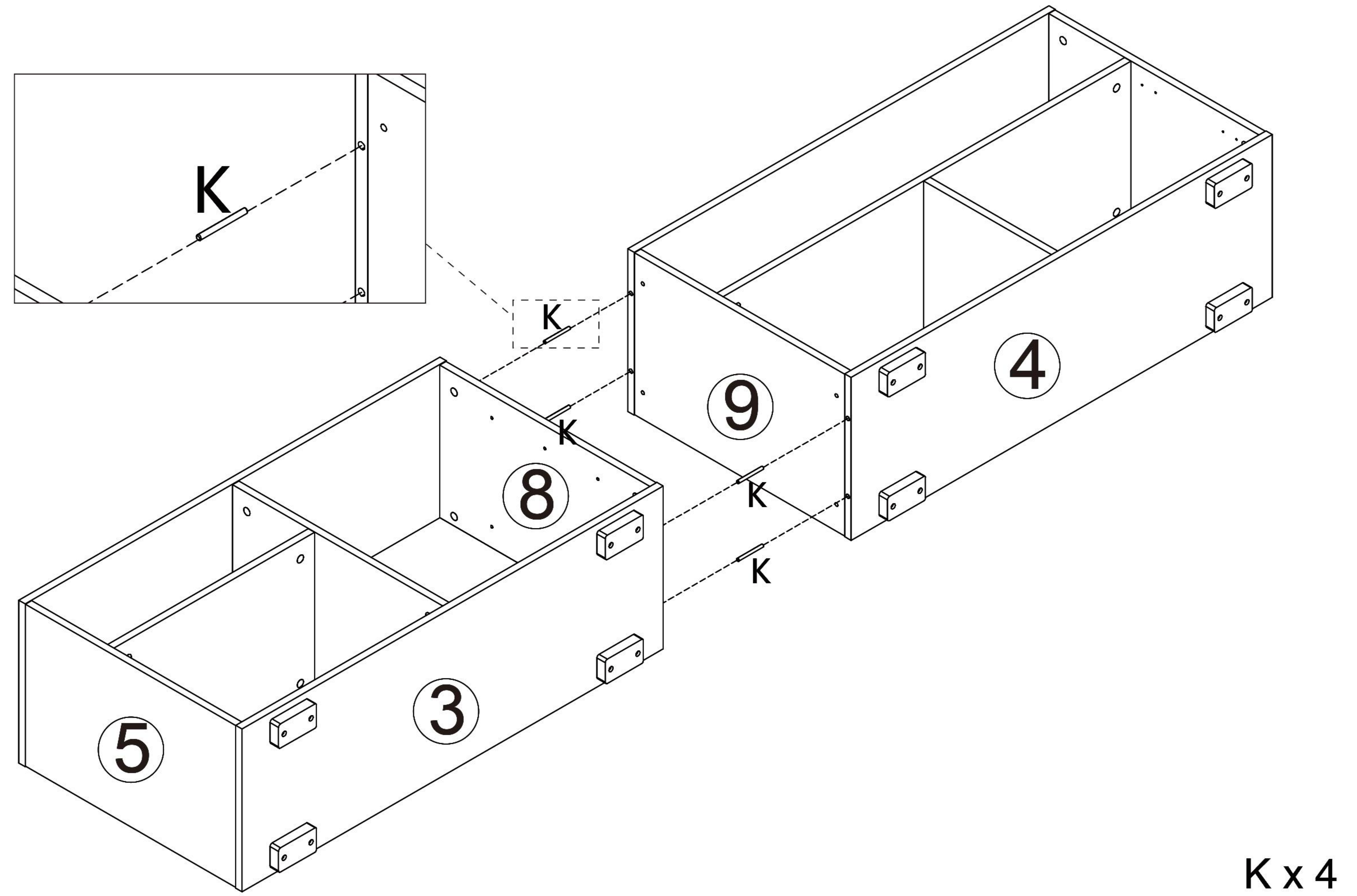


F x 4
G x 8

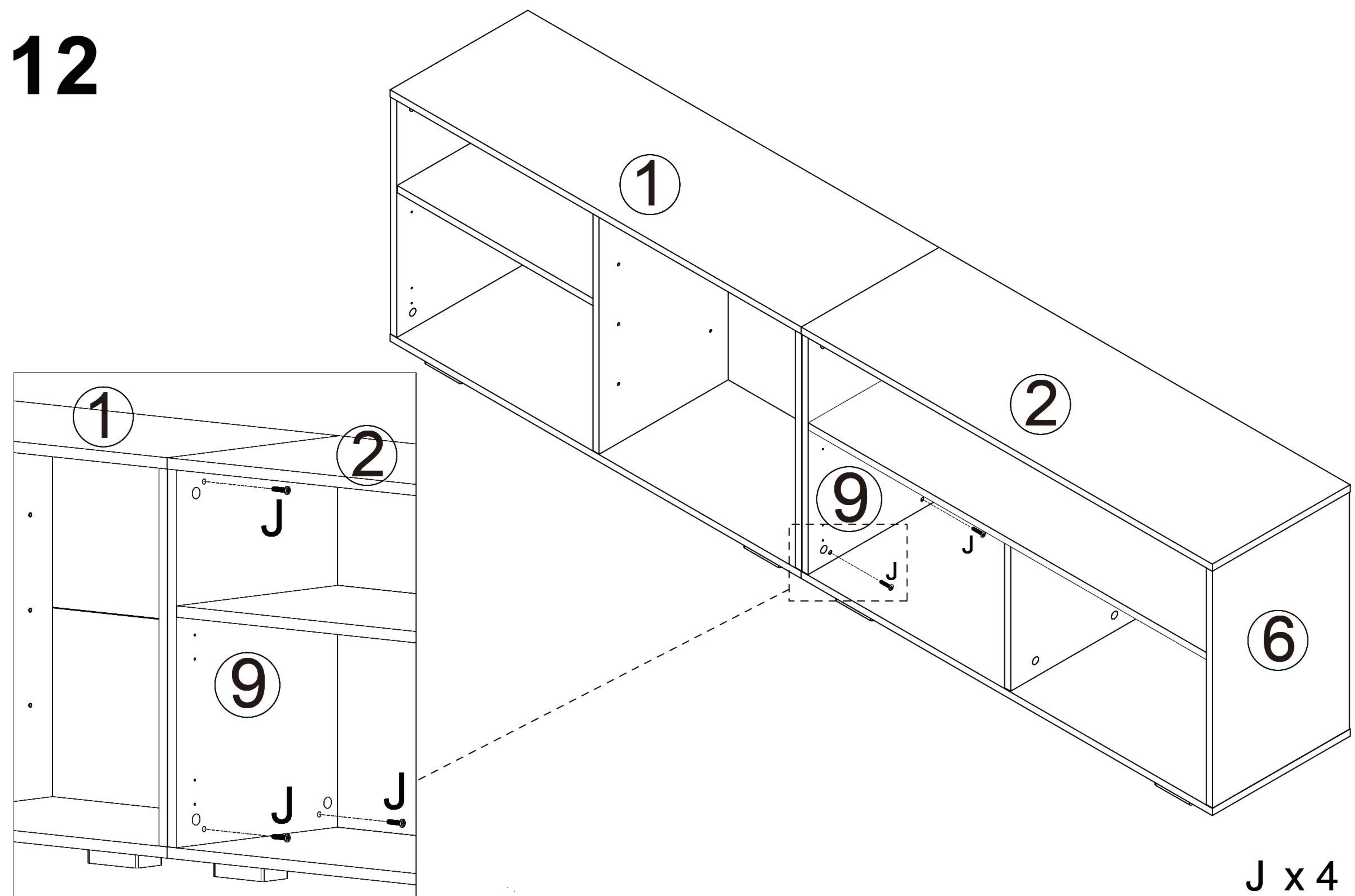
STEP 10



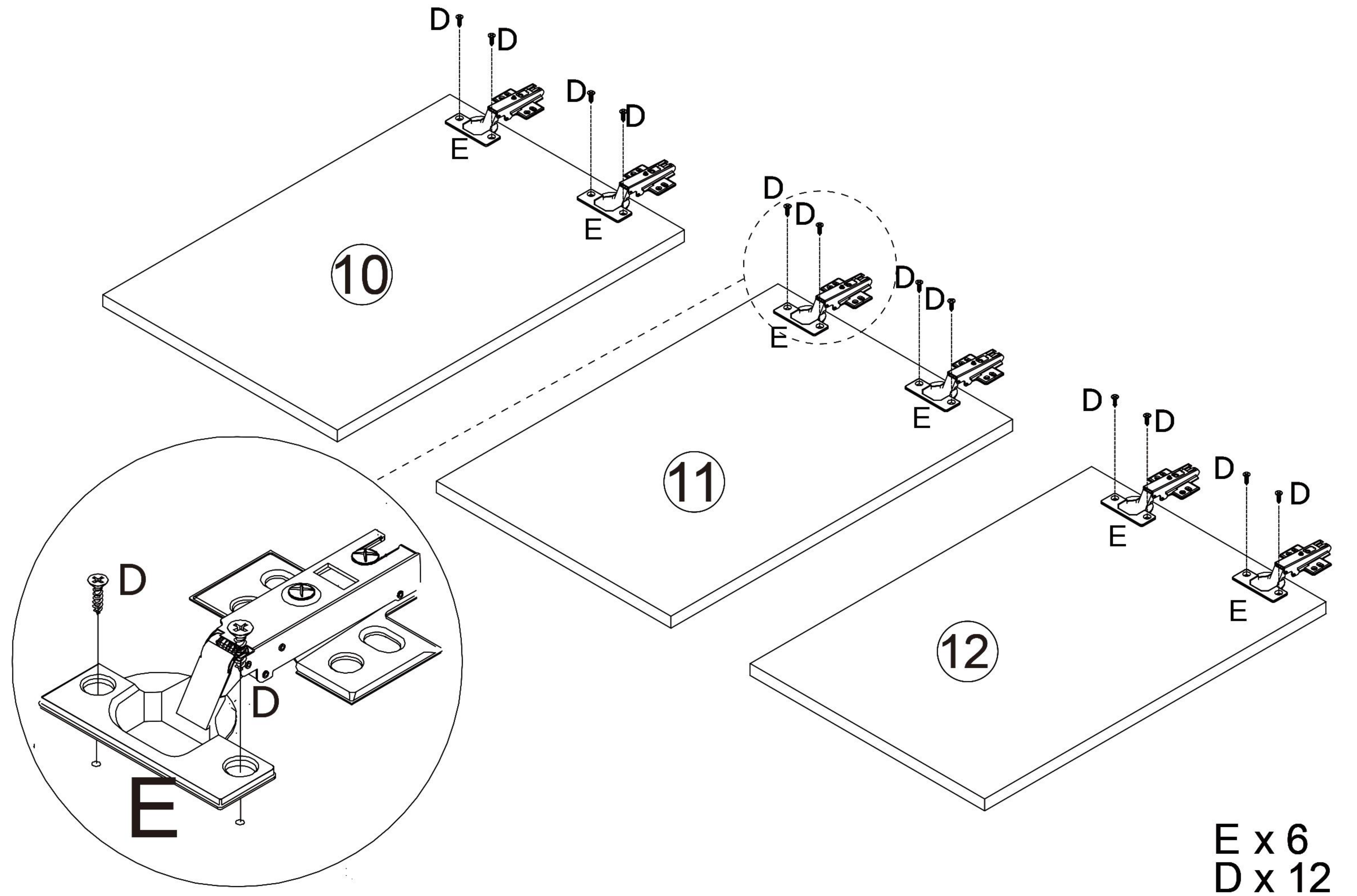
STEP 11



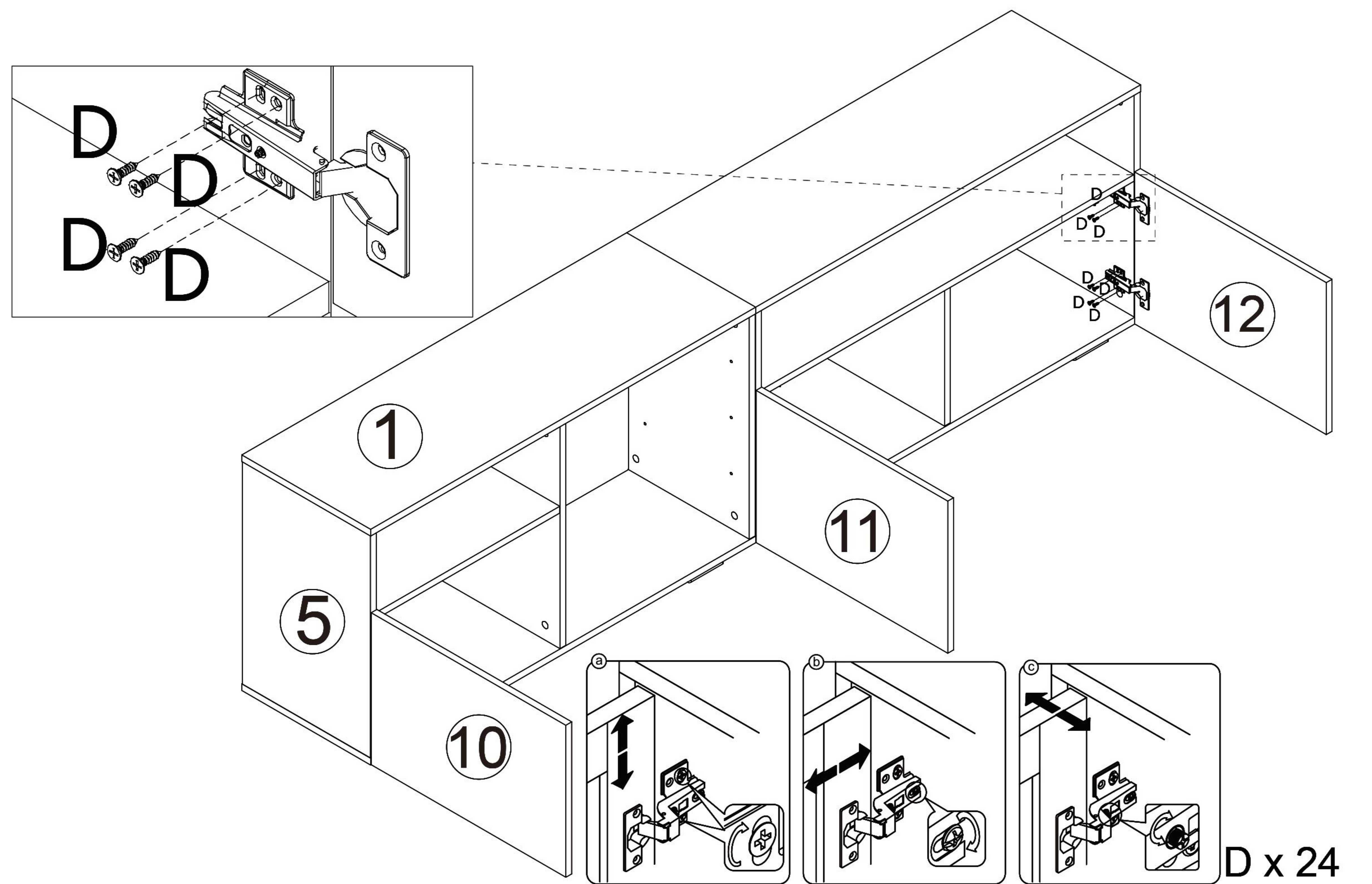
STEP 12



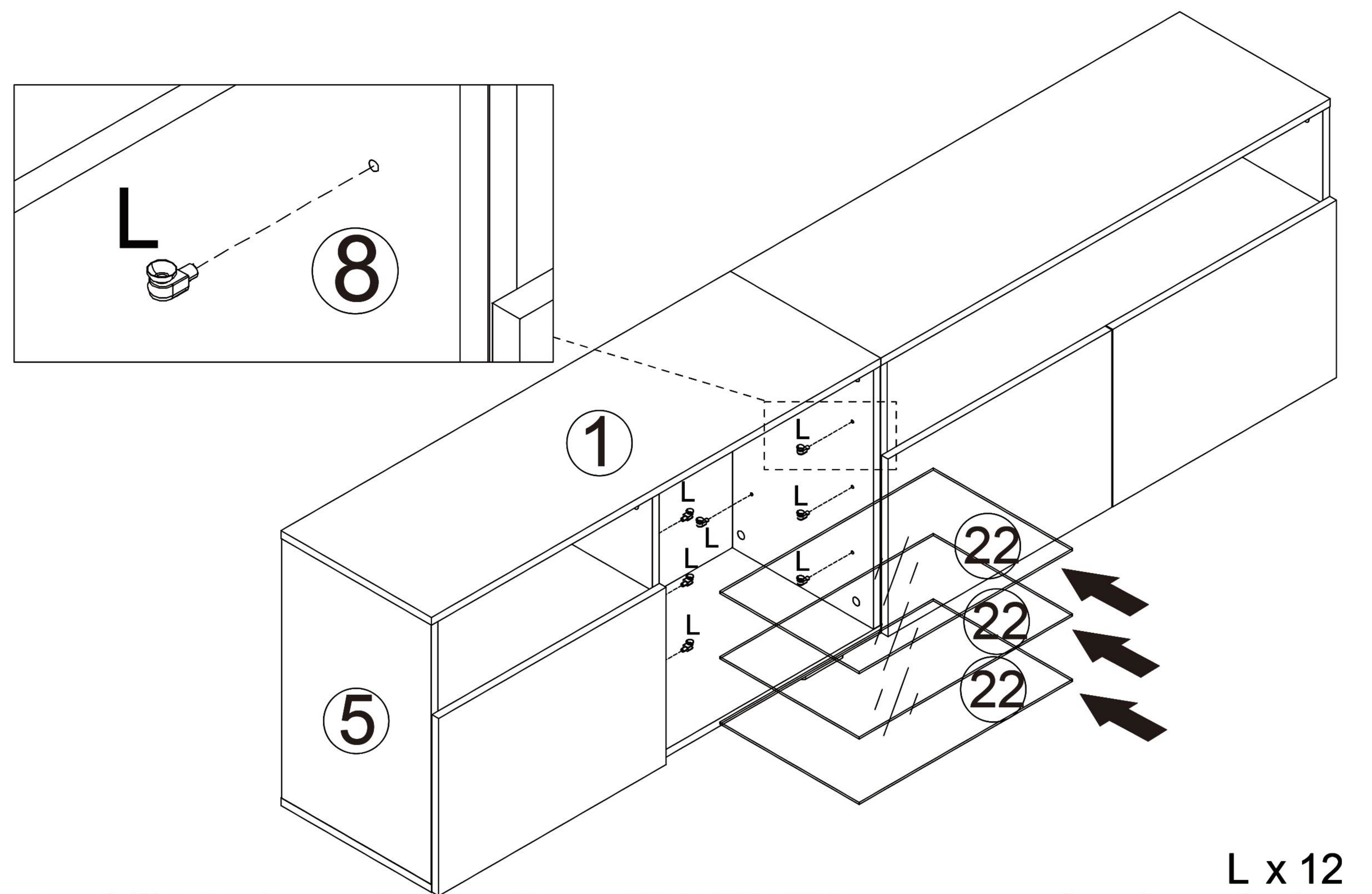
STEP 13



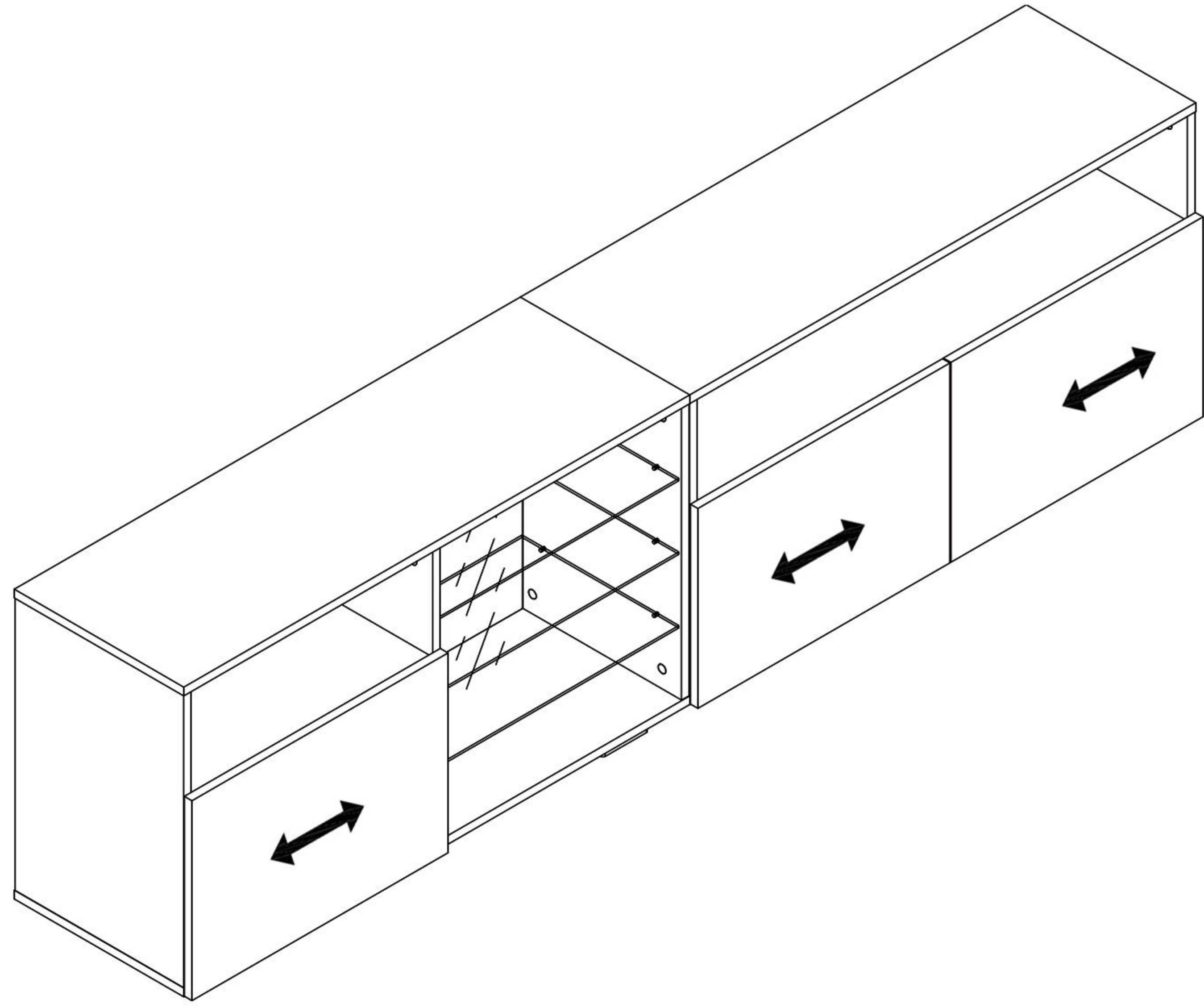
STEP 14



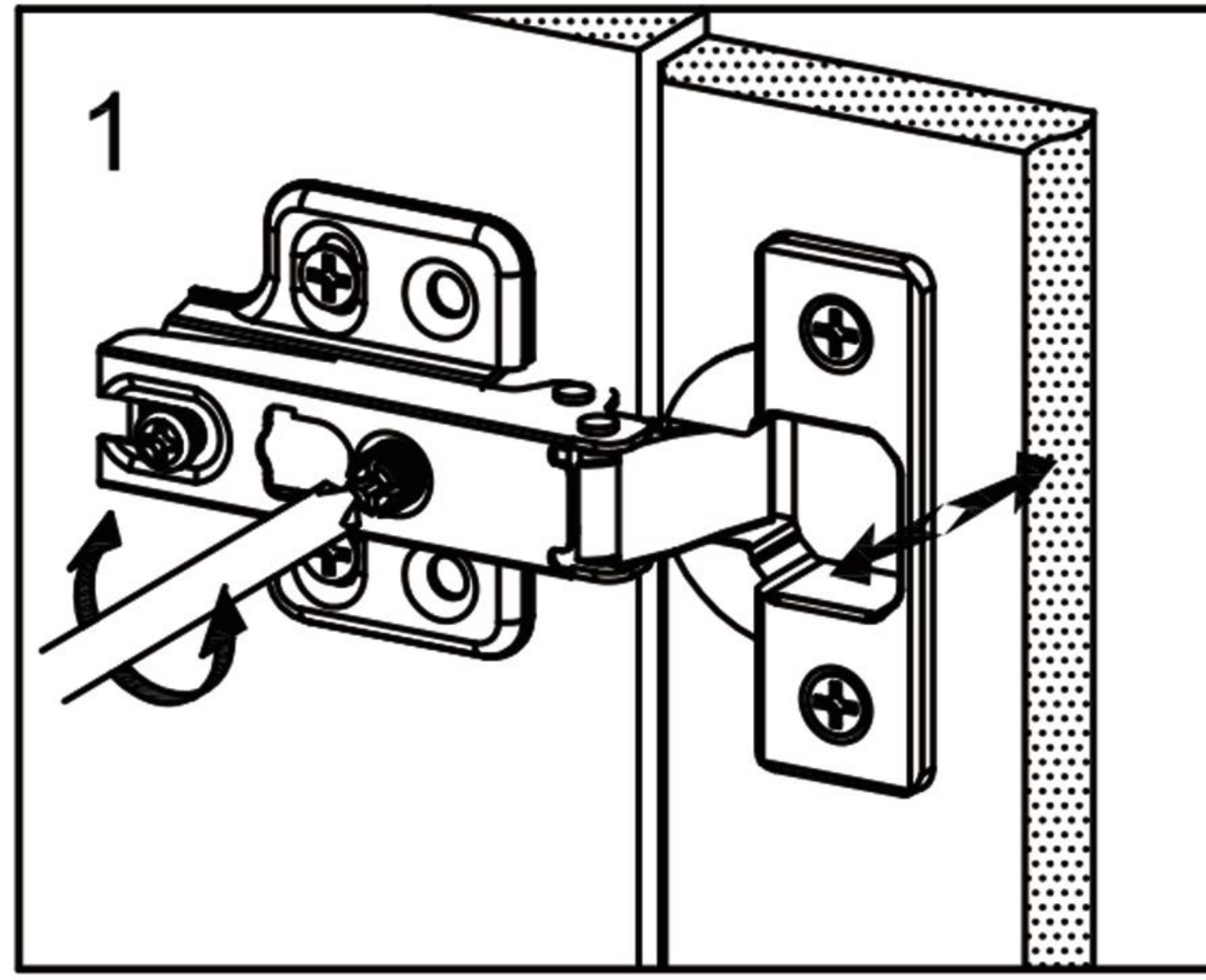
STEP 15



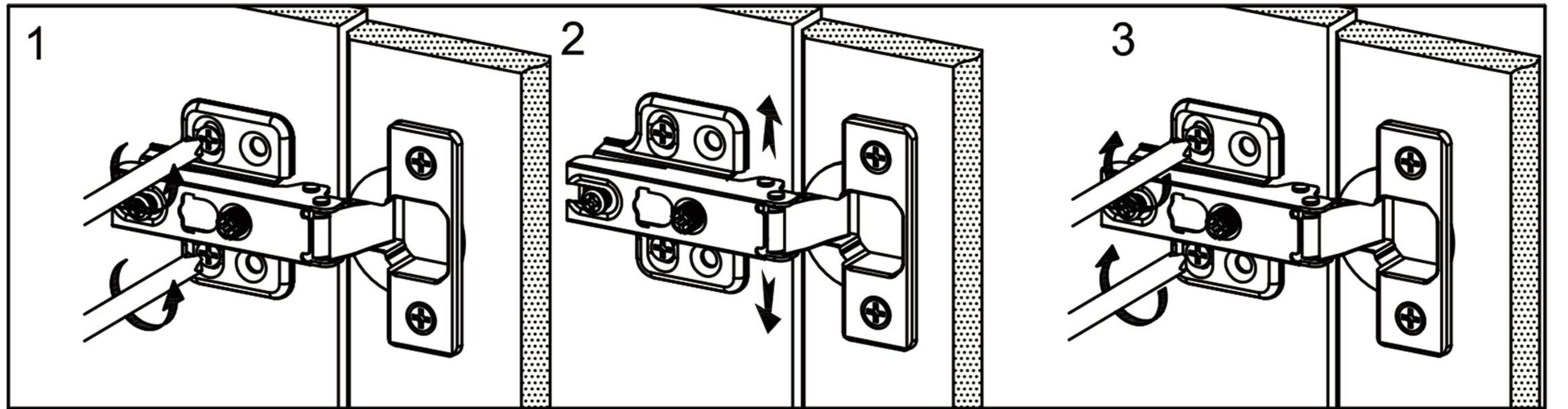
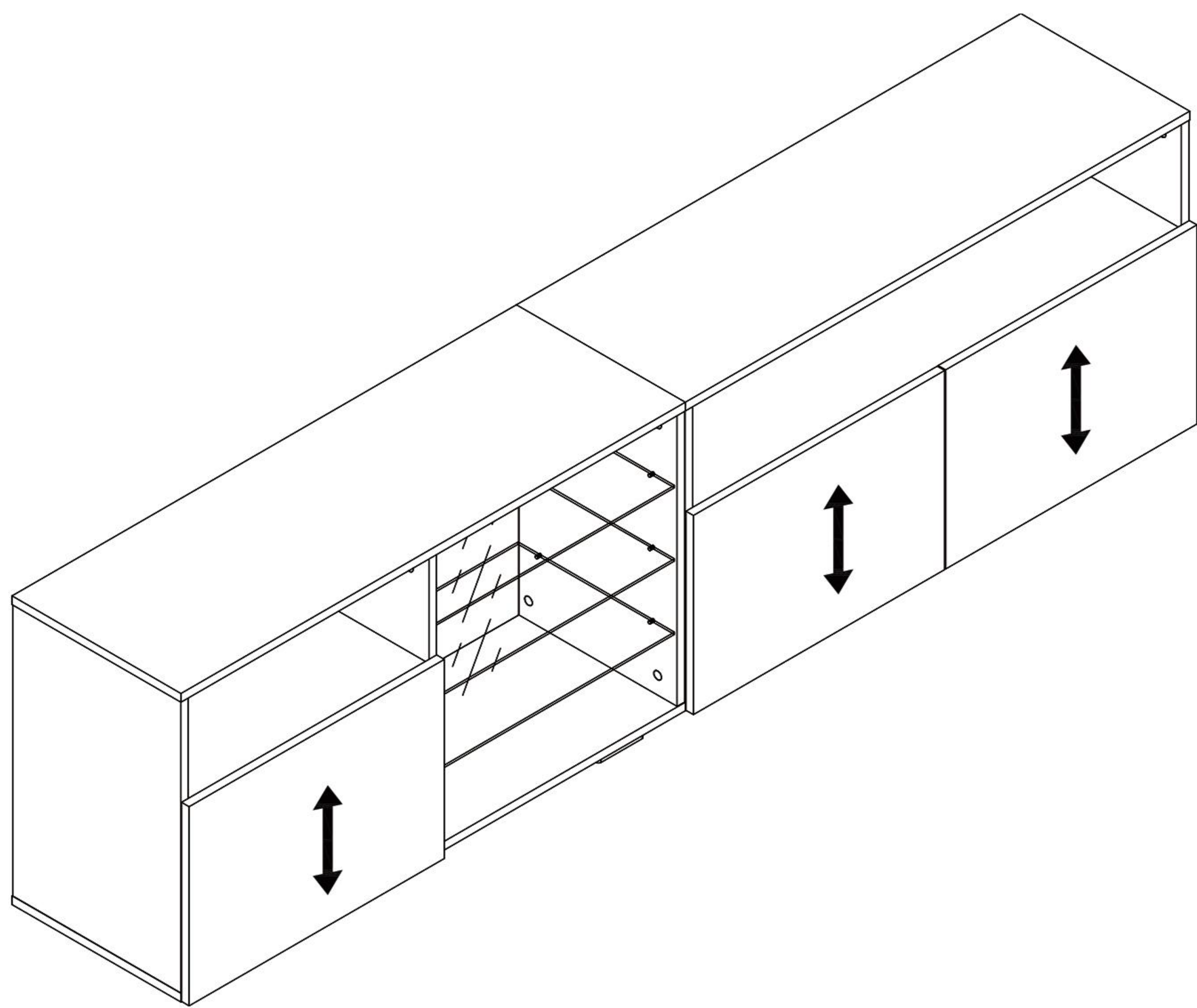
STEP 16



Adjusting the doors (Adjusting the hinges)



STEP 17



STEP 18

