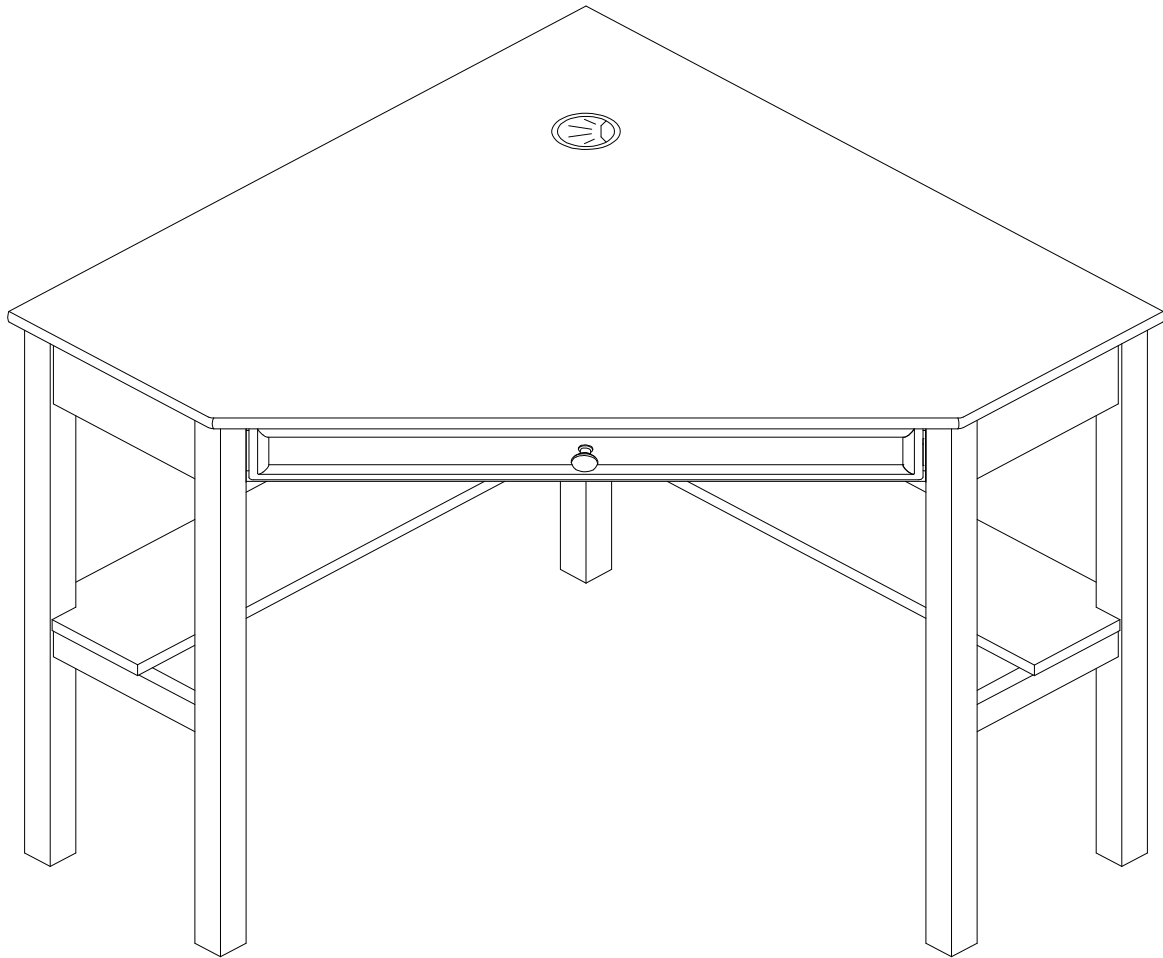


Assembly | Asamblea | Assemblage



Thanks!

Thank you for your purchase. Our products offer a limited 1-year warranty and feature the latest trends and design styles.

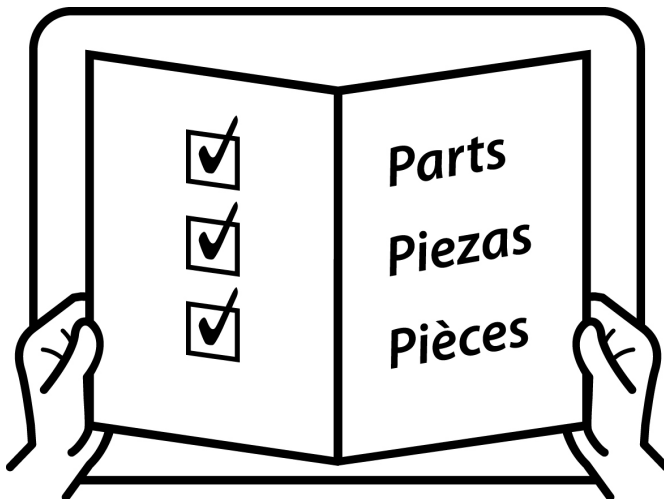
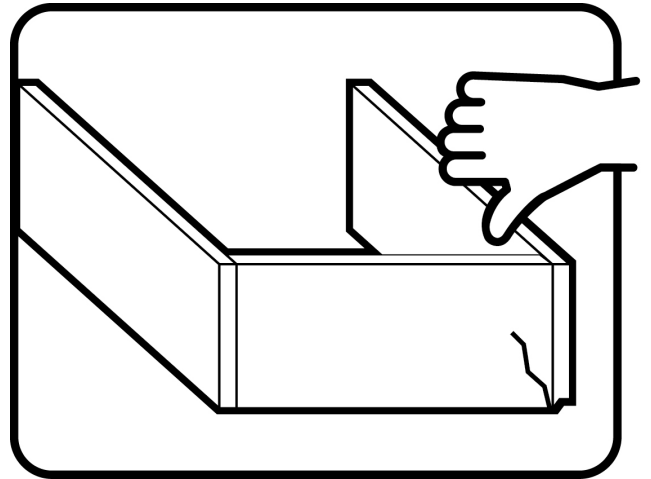
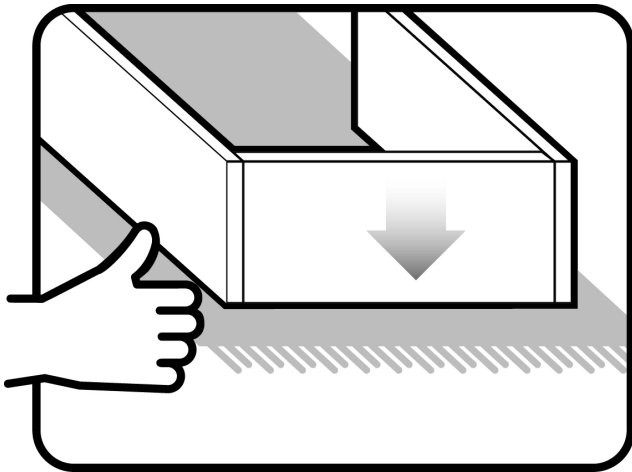
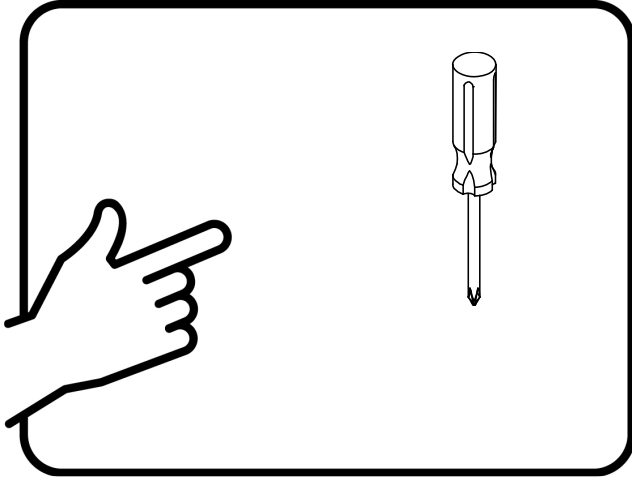
¡Gracias!

Gracias por su compra. Nuestros productos vienen con una garantía limitada de 1 año y le ofrecen lo último en tendencias y estilos.

Merci!

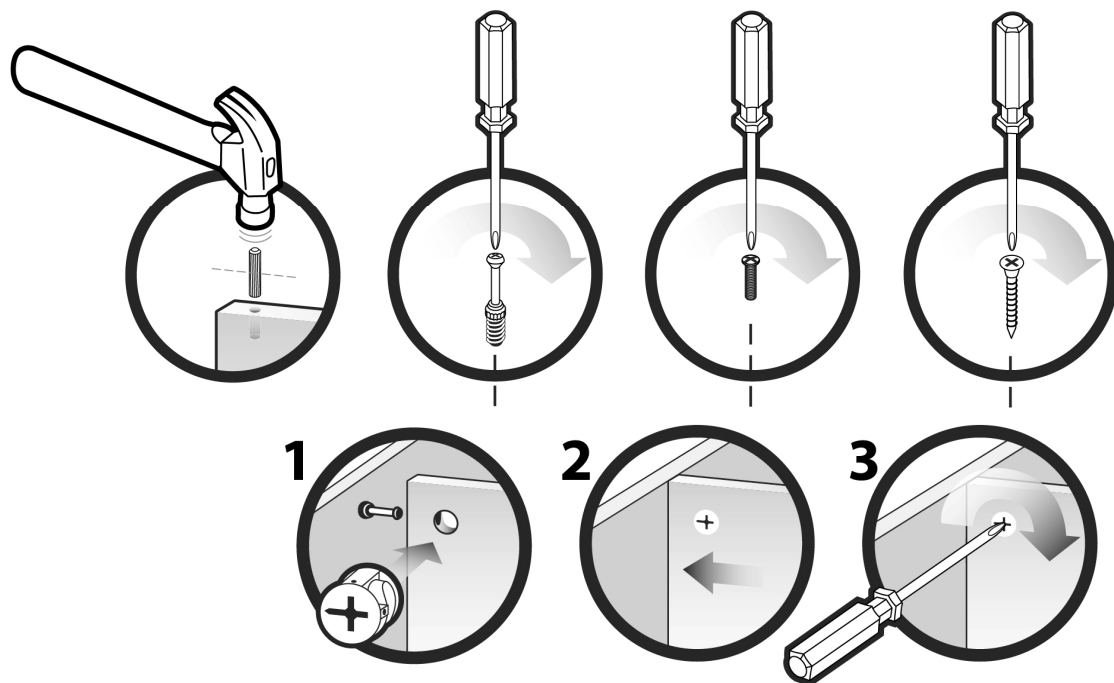
Merci de votre achat. Nos produits sont offerts avec une garantie limitée de 1 an et proposent les plus récents styles et tendances en matière de conception.

Assembly | Asambla | Assemblage



Assembly | Armado | Assemblage

Techniques | Técnicas | Techniques

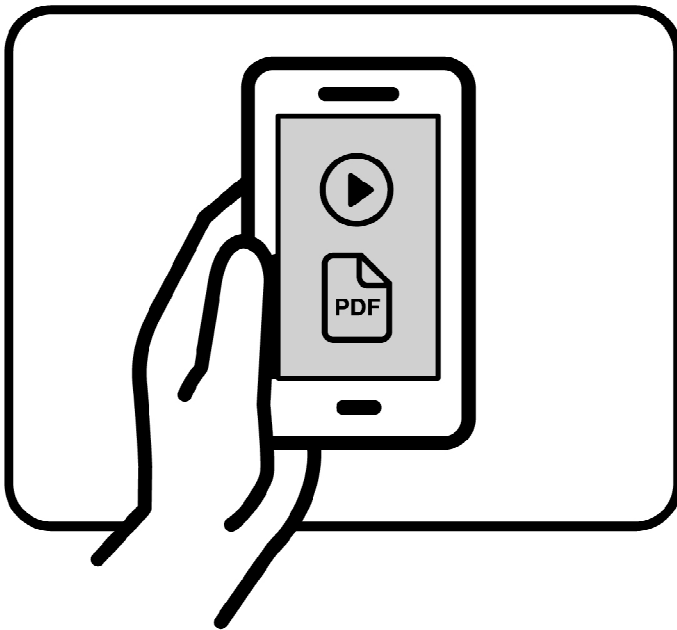
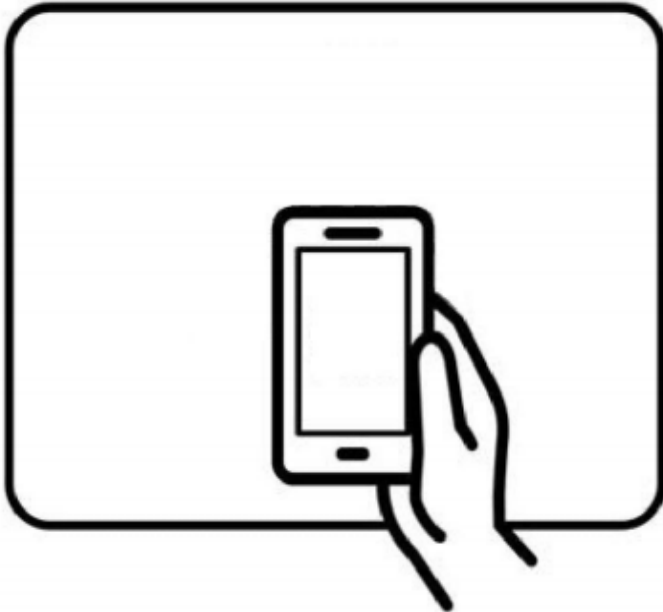


Care | Cuidado | Entretien



Assembly | Armado | Assemblage

Assembly Help | Ayuda de montaje | Aide à l'assemblage



Safety | Seguridad | Sécurité

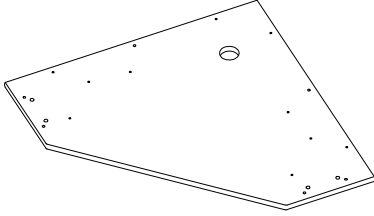


Note! | Nota: | Remarque!



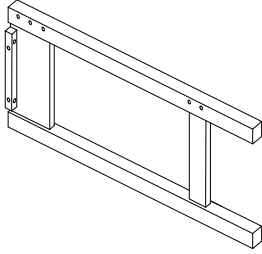
Assembly | Asambla | Assemblage

1



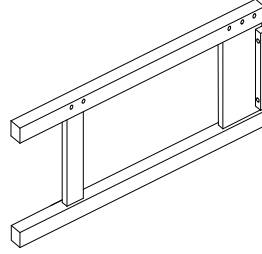
x1

2



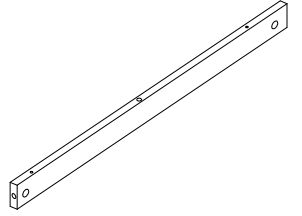
x1

3



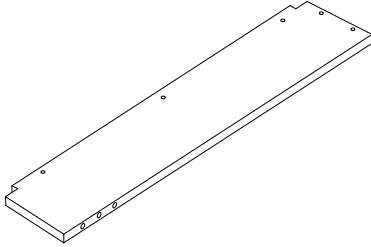
x1

4



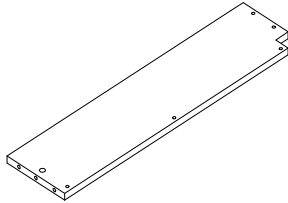
x2

5



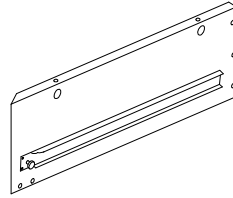
x1

6



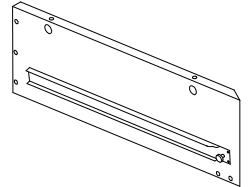
x1

7



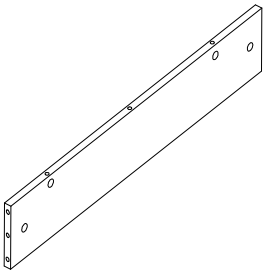
x1

8



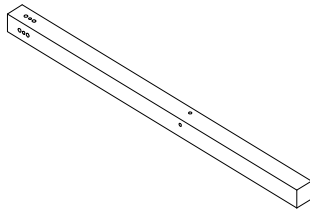
x1

9



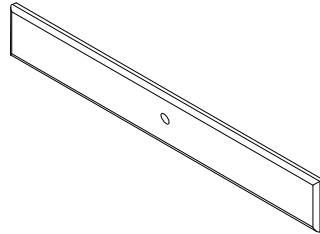
x2

10



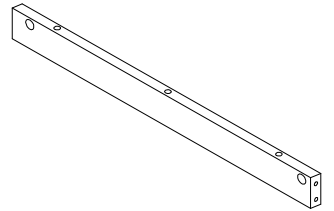
x1

11



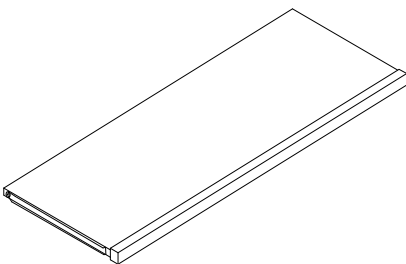
x1

12



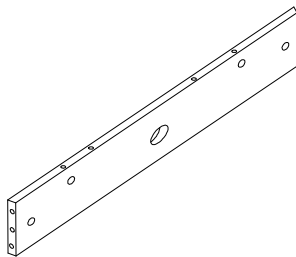
x1

13



x1

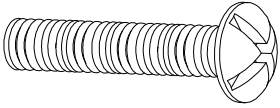
14



x1

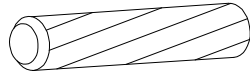
Assembly | Asamlea | Assemblage

A



x4

B



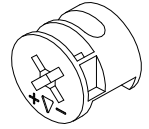
x24

C



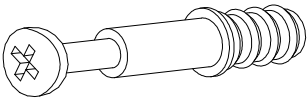
x8

D



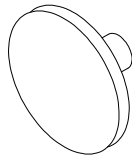
x23

E



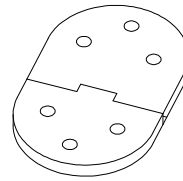
x23

F



x23

G



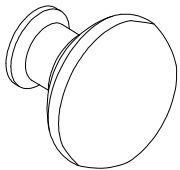
x2

H



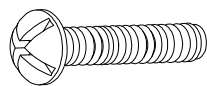
x12

I



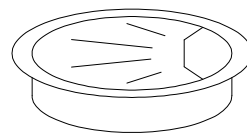
x1

J



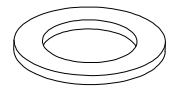
x1

K



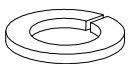
x1

L



x4



M

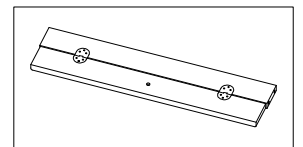
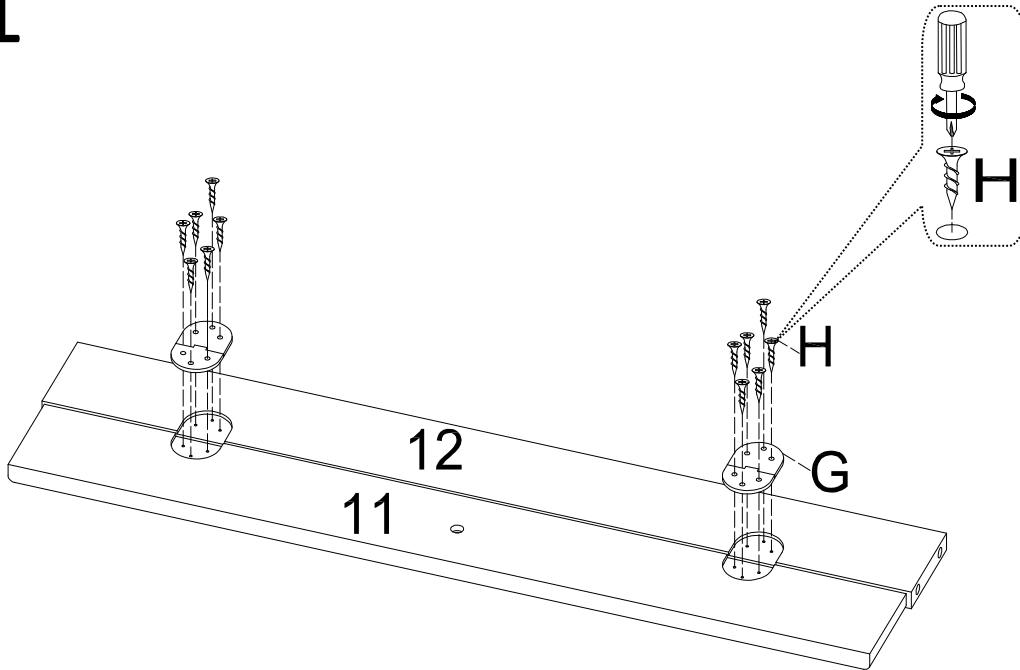


x4



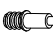

Assembly | Asambla | Assemblage

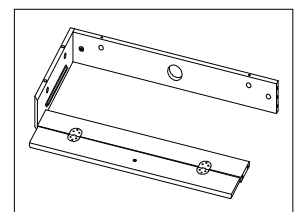
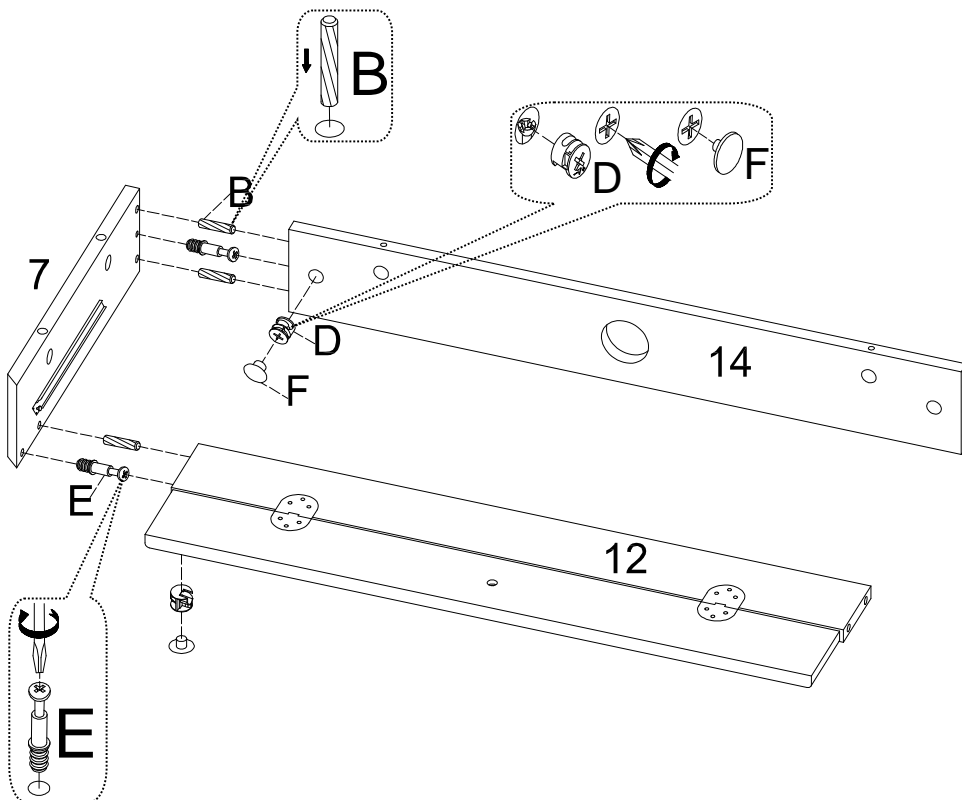
1

G		X2
H		X12



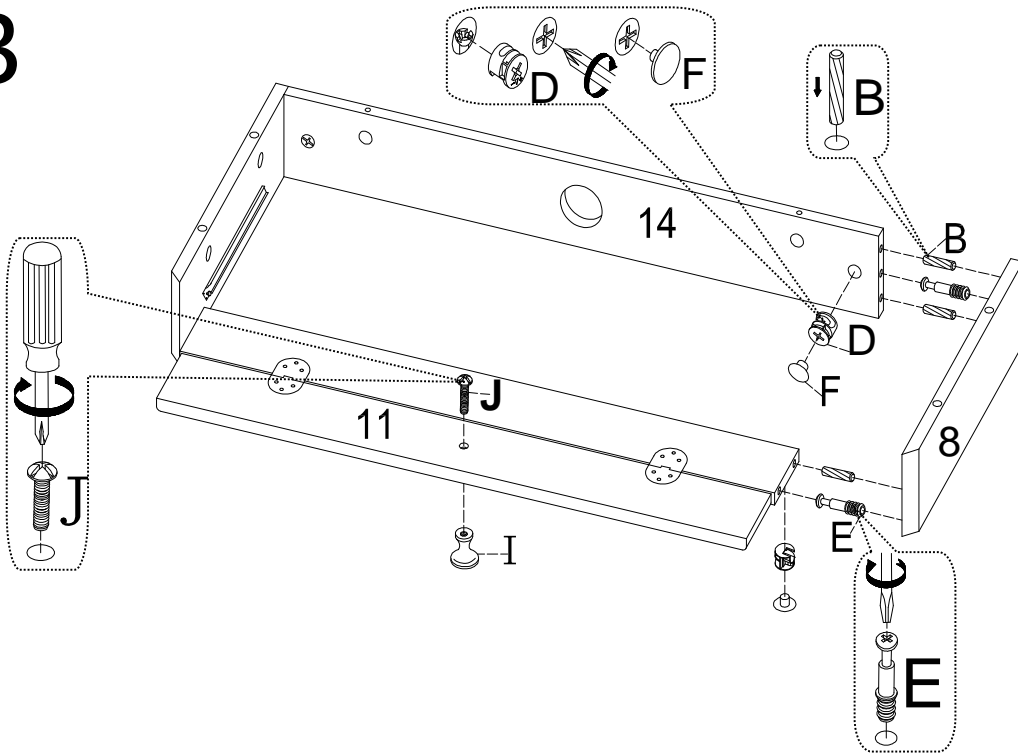
2

B		X3
D		X2
E		X2
F		X2

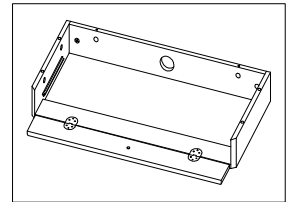


Assembly | Asambla | Assemblage

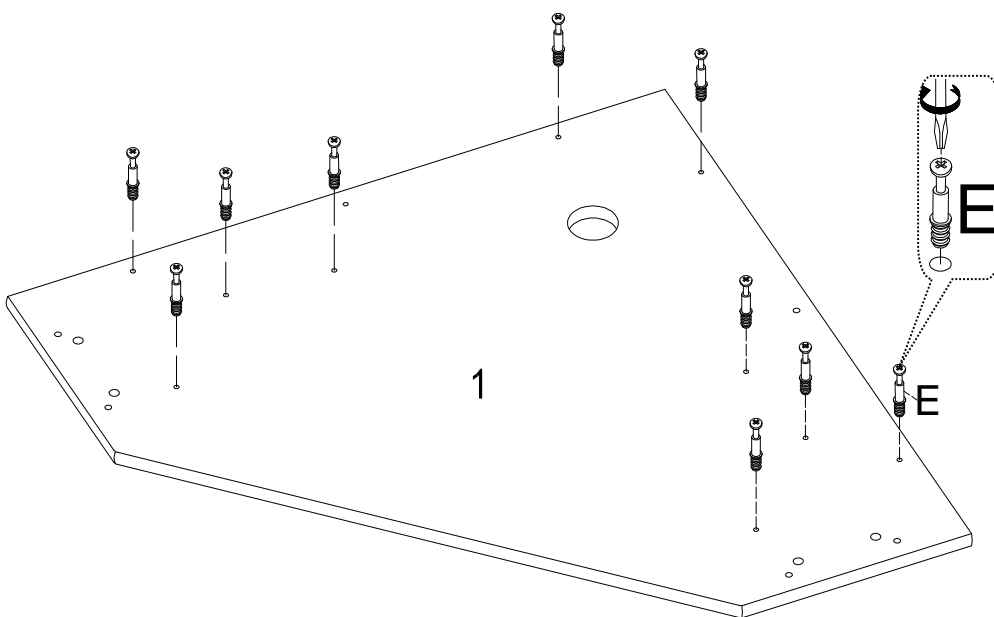
3



B		X3
D		X2
E		X2
F		X2
I		X1
J		X1



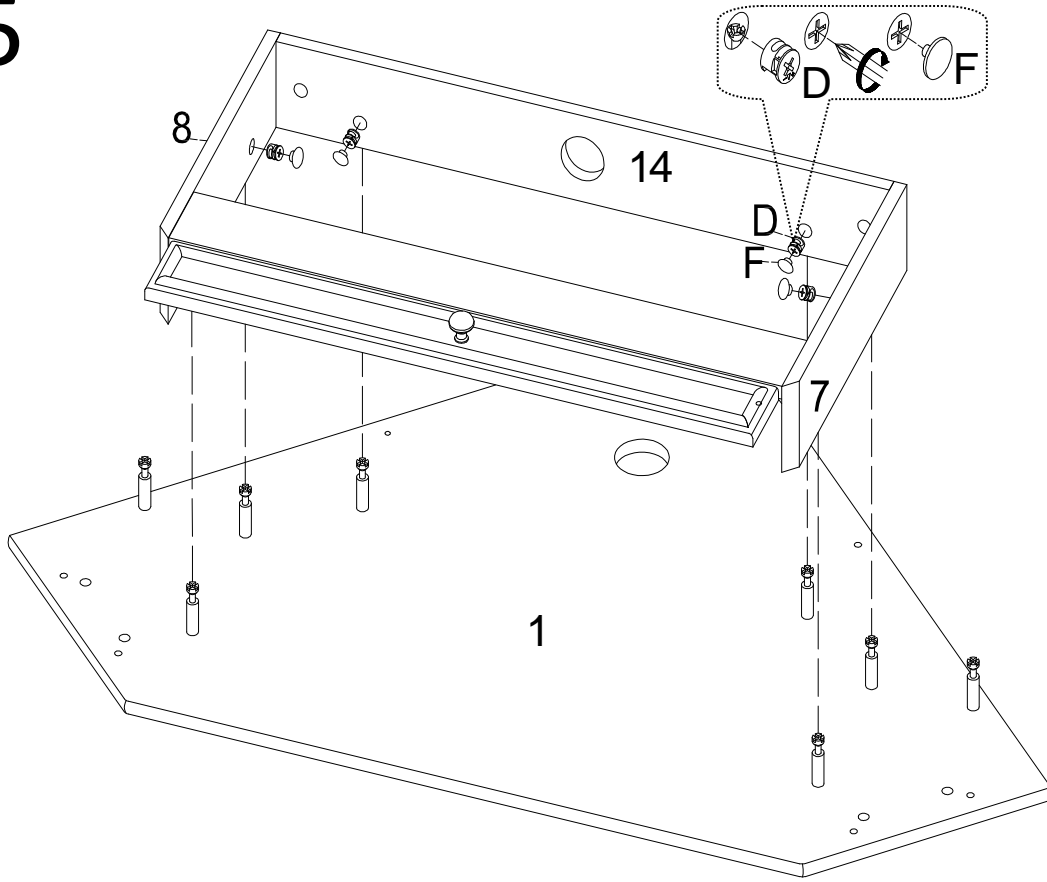
4



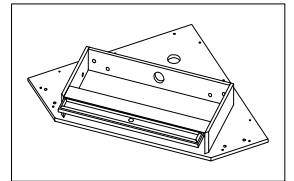
E		X10
---	--	-----

Assembly | Asambla | Assemblage

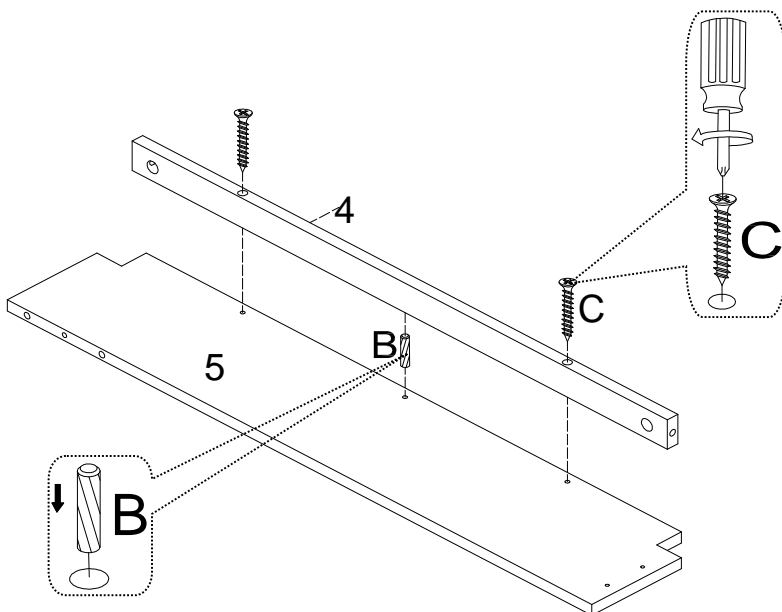
5



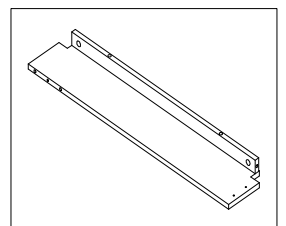
D		X6
F		X6



6

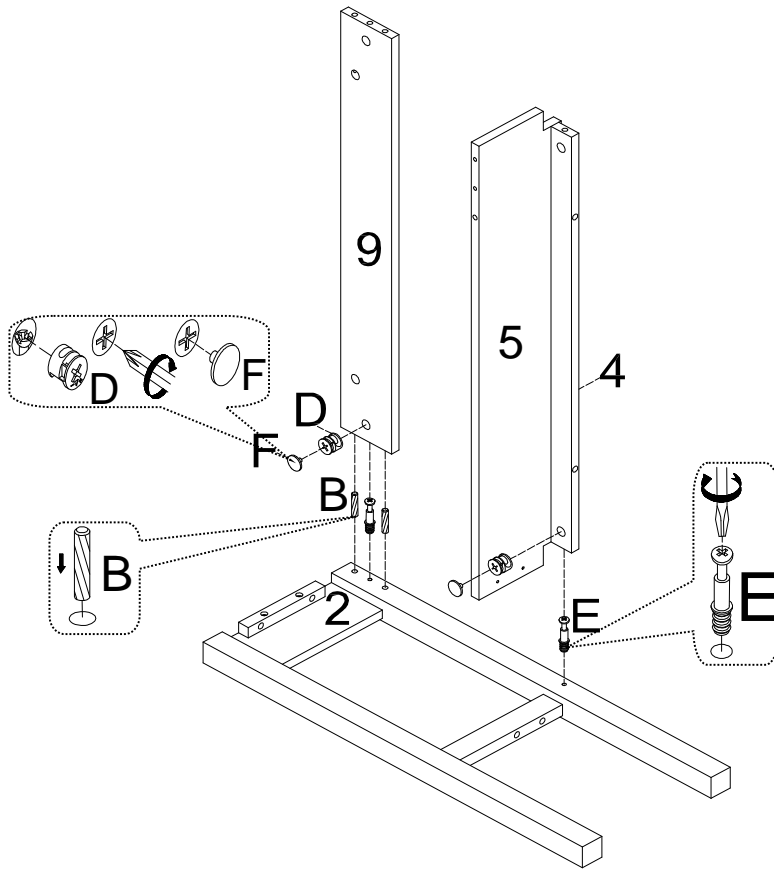


B		X1
C		X2

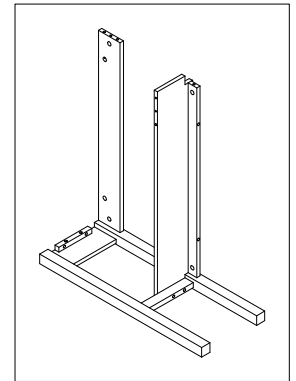


Assembly | Asamlea | Assemblage

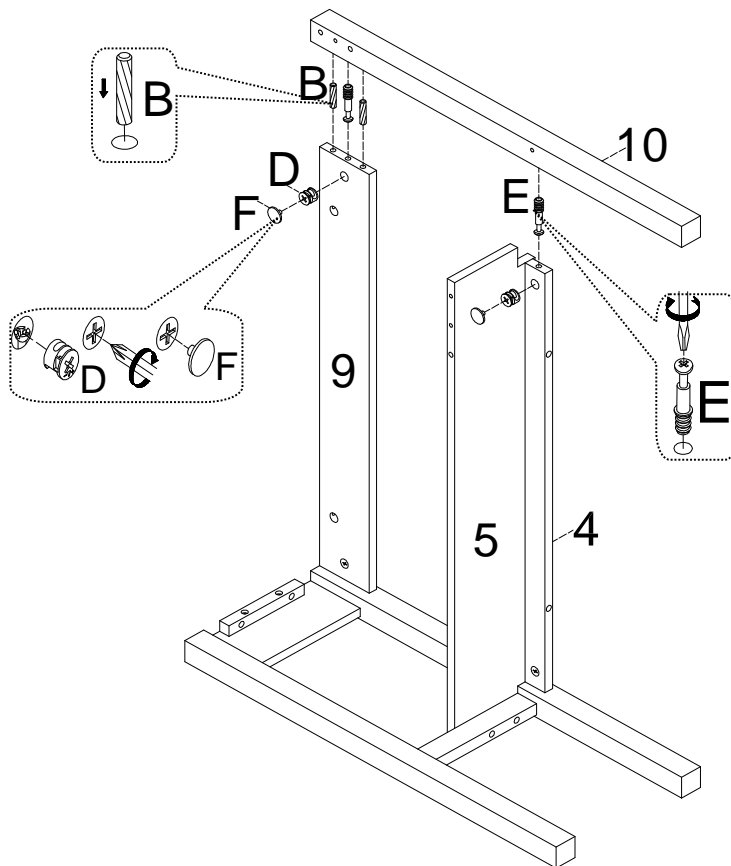
7



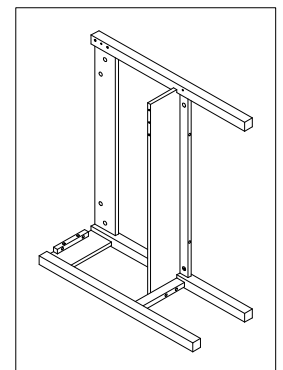
B		X2
D		X2
E		X2
F		X2



8

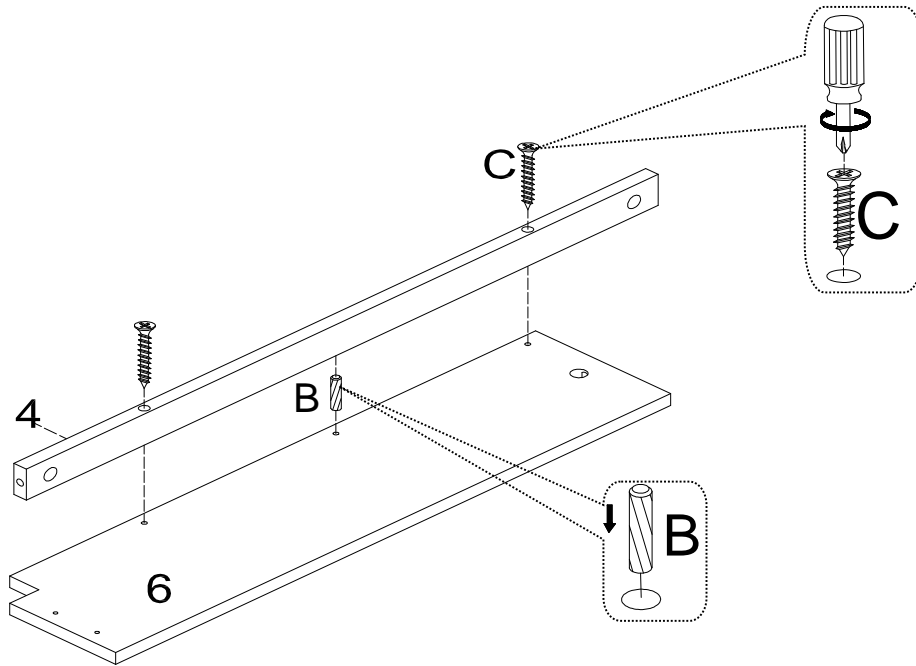



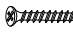
B		X2
D		X2
E		X2
F		X2

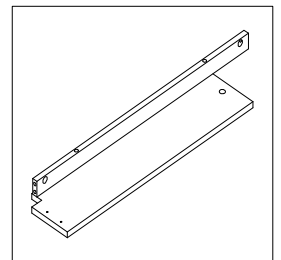


Assembly | Asambla | Assemblage

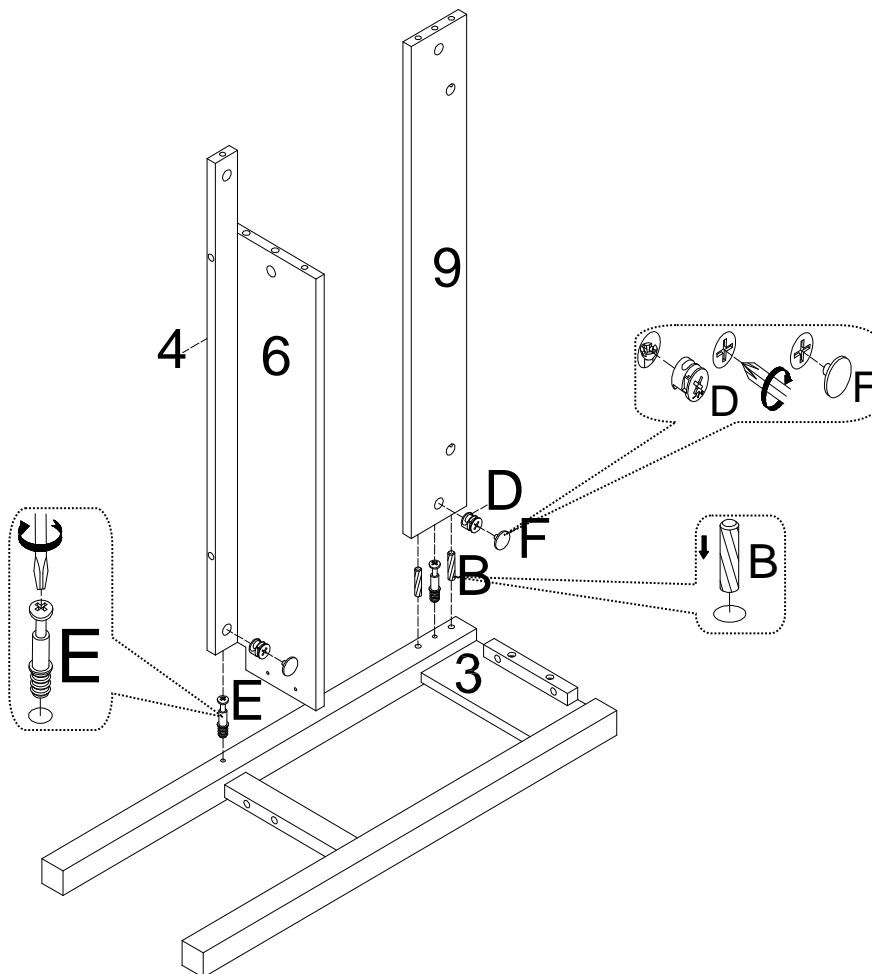
9

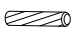

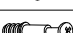
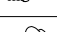


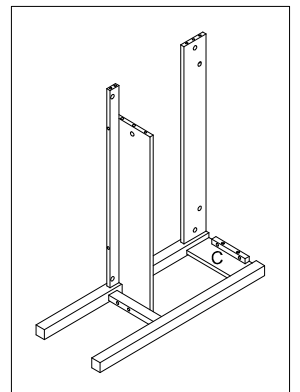
B		X1
C		X2



10

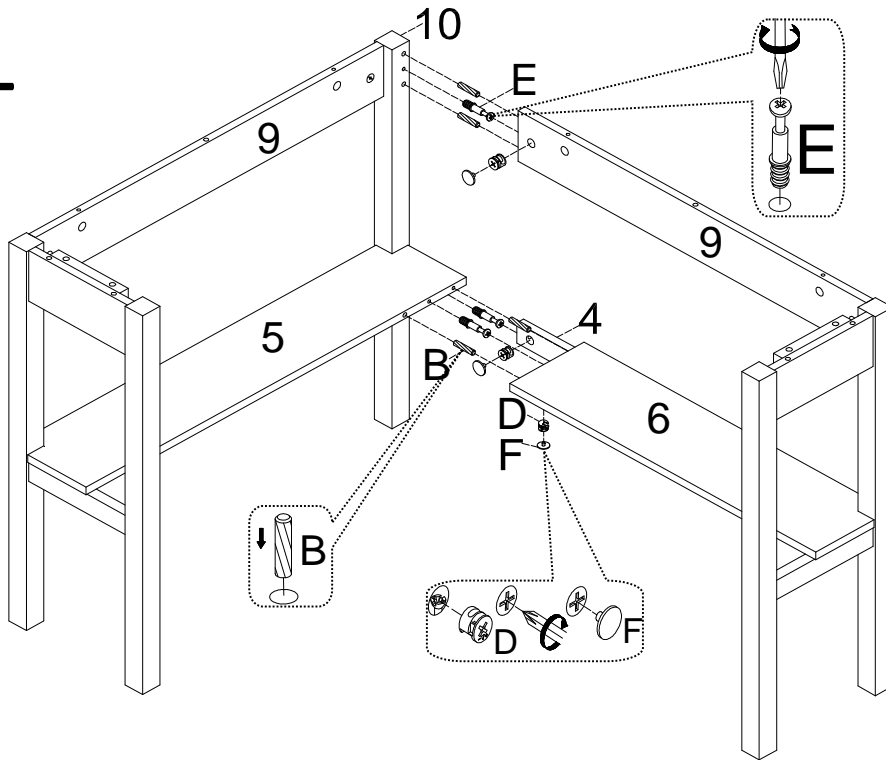


B		X2
D		X2
E		X2
F		X2

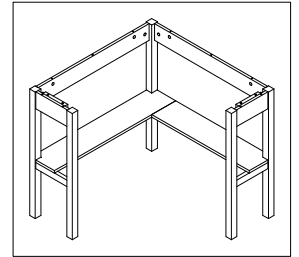


Assembly | Asambla | Assemblage

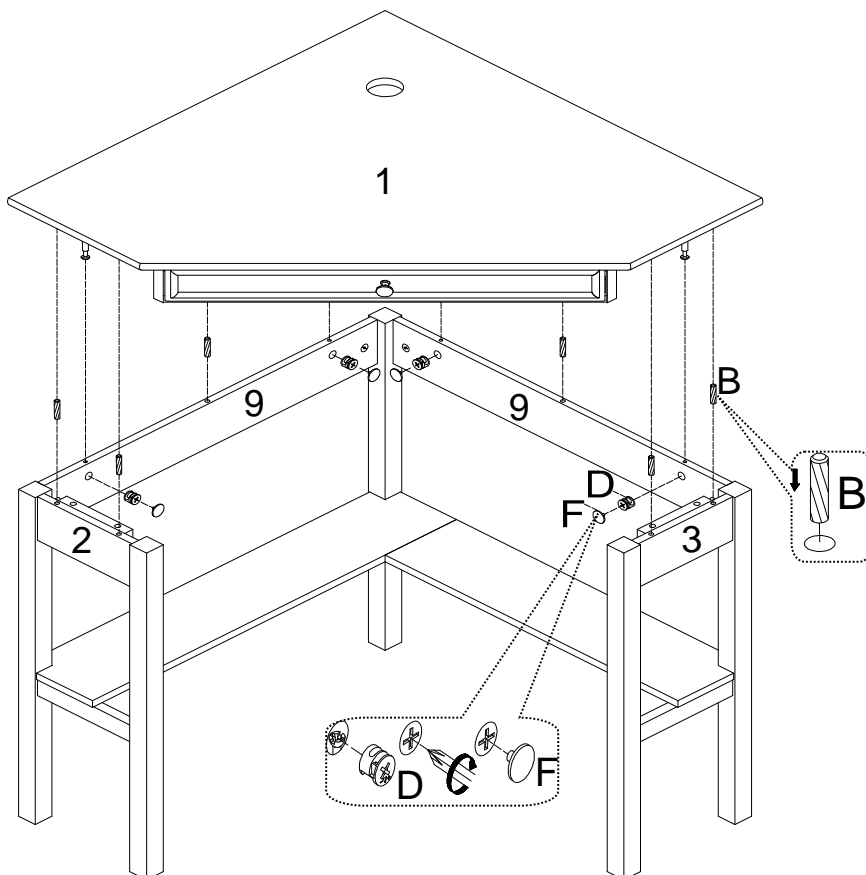
11



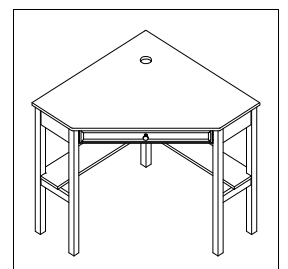
B		X4
D		X3
E		X3
F		X3



12

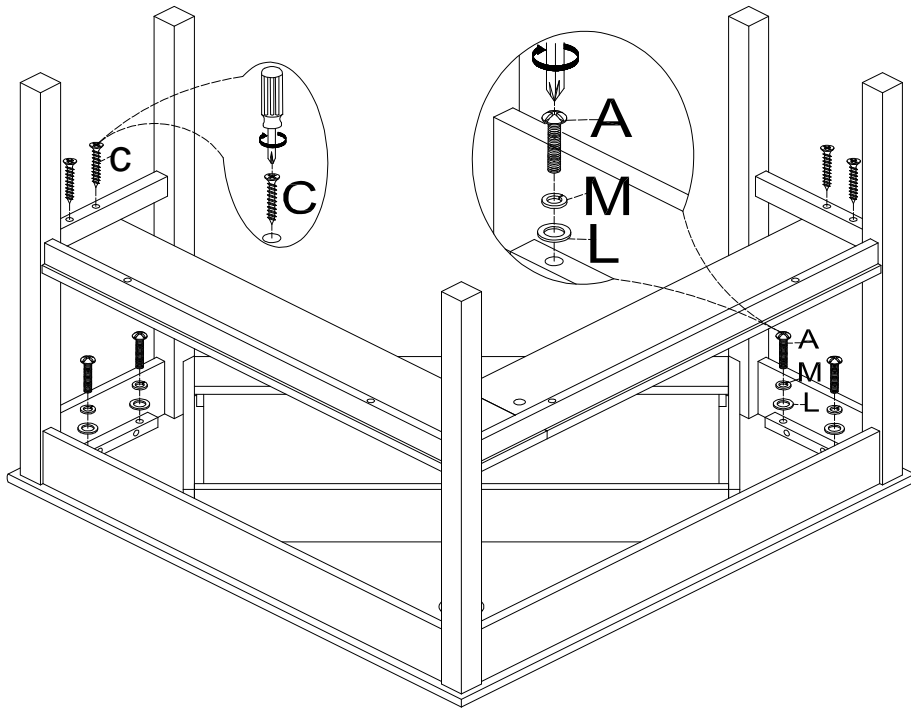



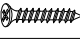


B		X6
D		X4
F		X4



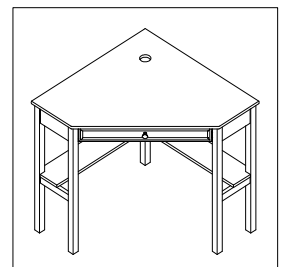
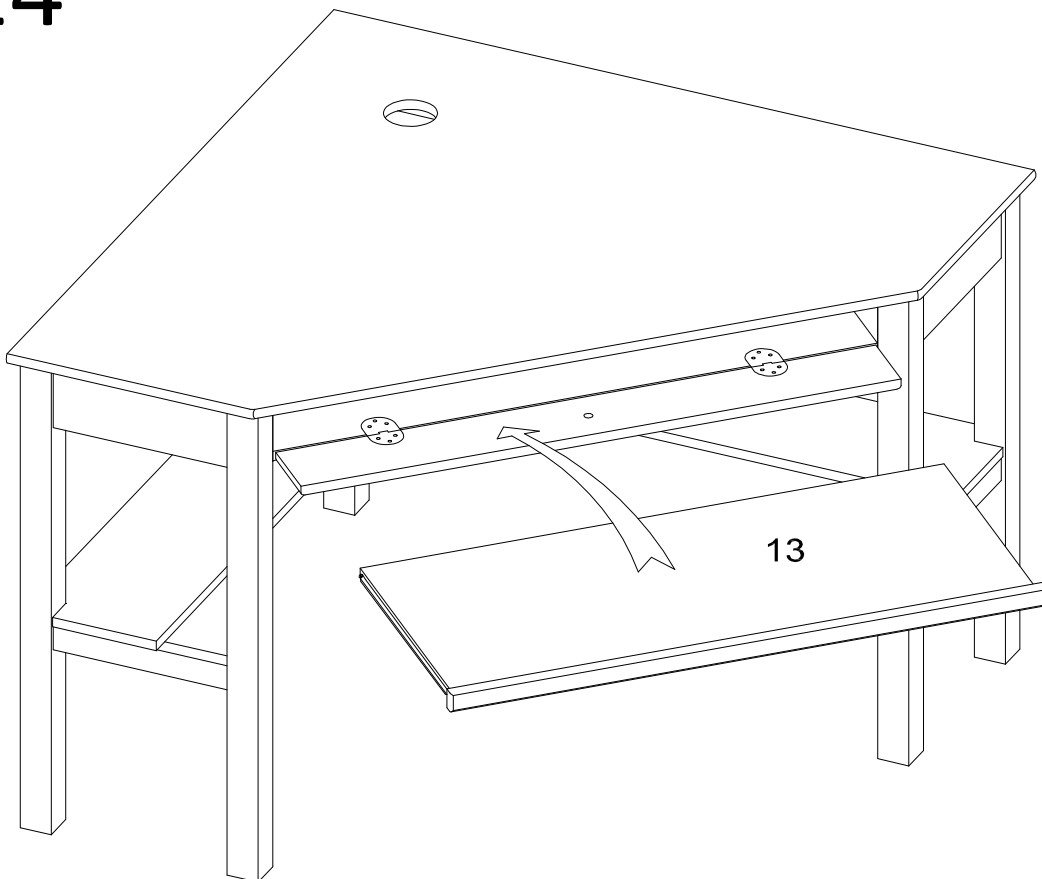
Assembly | Asambla | Assemblage

13

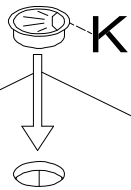


A		X4
C		X4
L		X4
M		X4

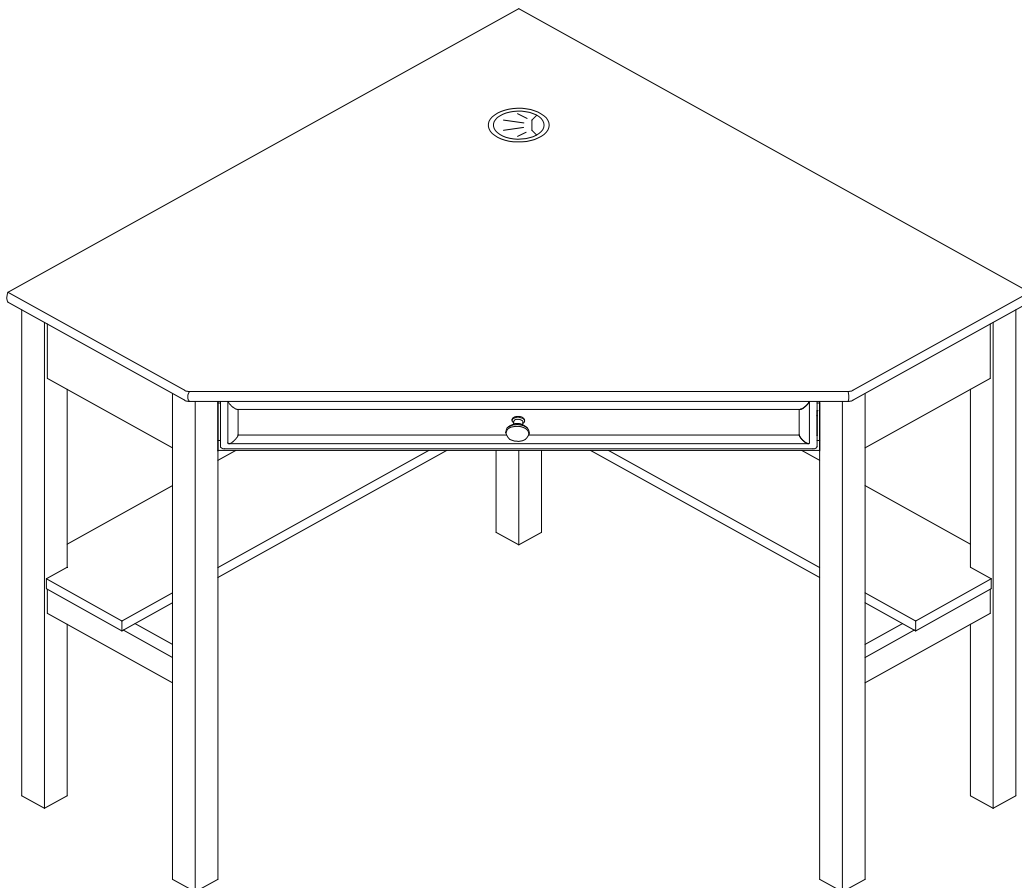
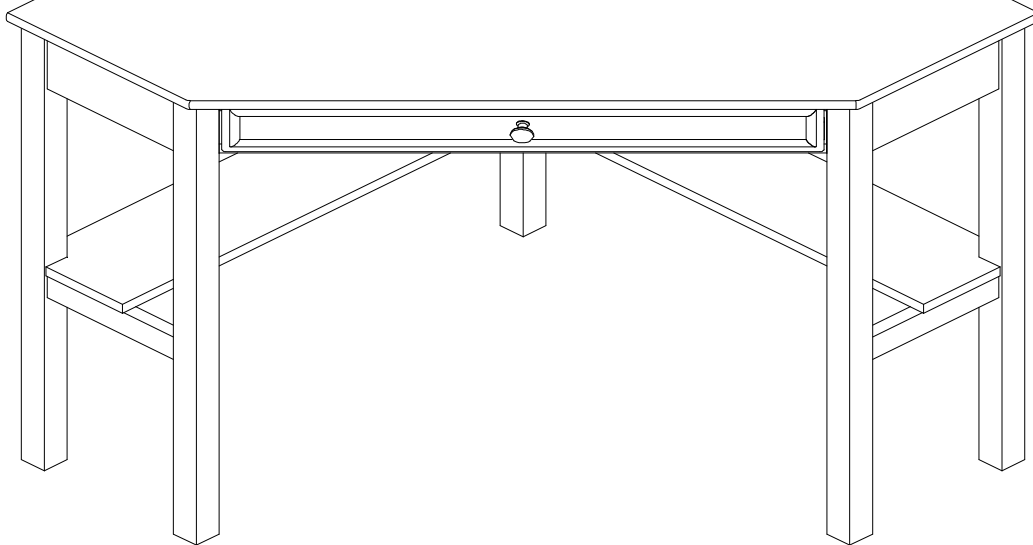
14



15



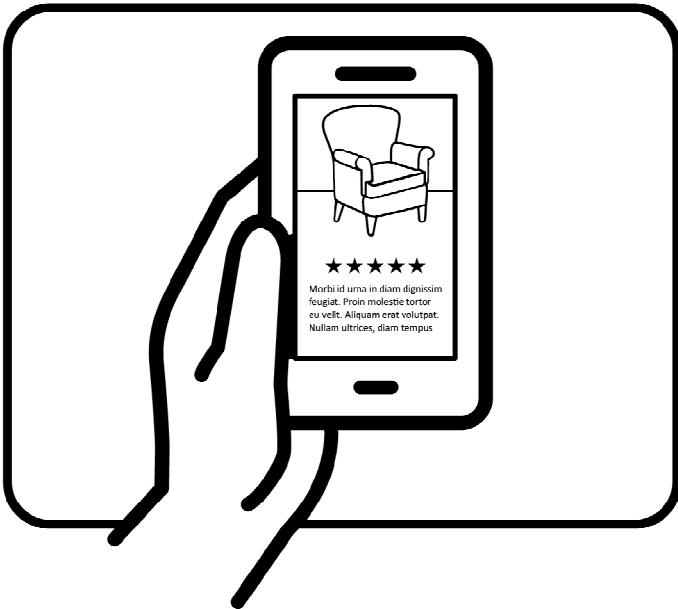
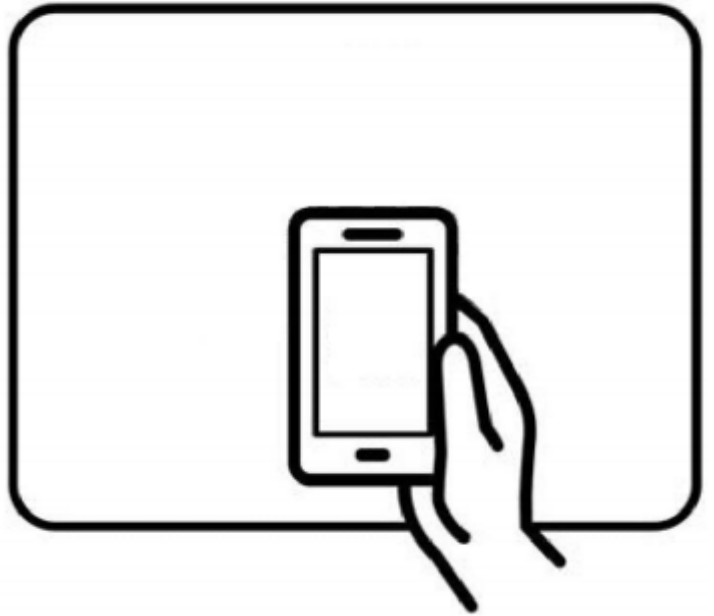
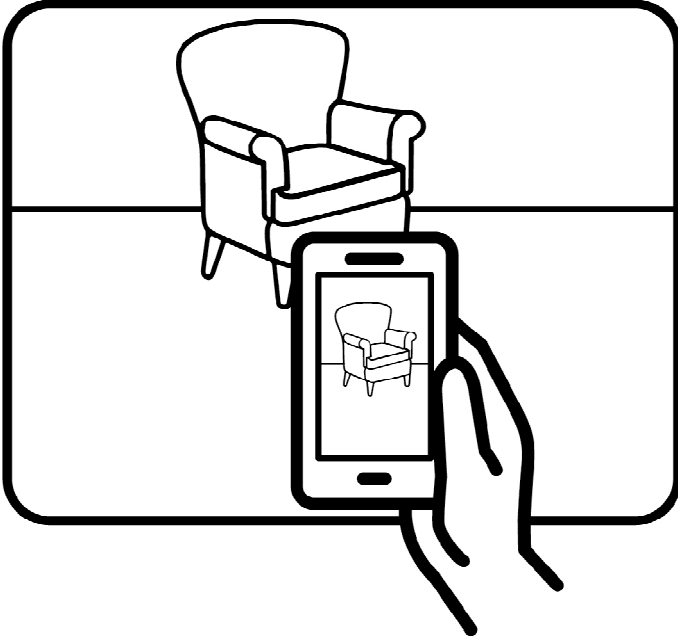
K		x1
---	---	----



Assembly | Asamblea | Assemblage

Congratulations! | ¡Felicitaciones! | Félicitations!

Share Your Thoughts | Queremos conocer su opinión | Partagez vos impressions



Assembly | Asamblea | Assemblage

May We Help You?

Have these ready when you call:

- Item Number
- PO #
- Purchaser Name
- Place of Purchase

¿Podemos ayudarle?

Cuando llame, tenga a mano lo siguiente:

- Número de artículo
- N.º de orden de compra
- Nombre del comprador
- Lugar de compra

Pouvons-nous vous aider?

Ayez les renseignements suivants en main quand vous appelez :

- Numéro de l'article
- Numéro du bon de commande (BC)
- Nom de l'acheteur

Please immediately examine this product carefully. Any request for missing parts or damage replacement must be received within 90 days of your receipt of the product. Replacement, if available, will be honored within this time frame. Parts will not be available for items arriving fully assembled. We do not recommend modifying product(s) and we are not responsible for any damages due to product modification(s). If damages or missing parts are not reported within 90 days of your receipt, we are under no obligation to provide parts or replacement merchandise. For product issues, please contact us. Please ask for customer service representative for issues involving damages or replacement parts. Please ask for technical assistance representative for any issues with product and assembly/ construction. Please contact the retailer that you purchased from for returns.