

4500 - 01Q / 08F - HB

4500 - 01Q - FB

4500 - 01Q - RS

QUEEN / FULL HEADBOARD

QUEEN FOOTBOARD

QUEEN RAILS

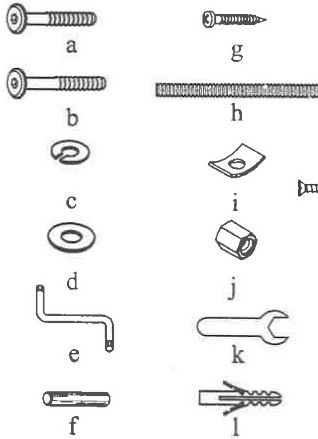
4500

SERIES

Assembly Instruction

A . Components :

- | | |
|--------------------|-----|
| 1. Headboard Panel | 1 x |
| 2. Footboard Panel | 1 x |
| 3. HB Right Leg | 1 x |
| 4. HB Left Leg | 1 x |
| 5. Stretcher | 1 x |
| 6. Bed Rail | 2 x |
| 7. Slat | 4 x |
| 8. Slat Support | 4 x |
| 9. Back Support | 2 x |

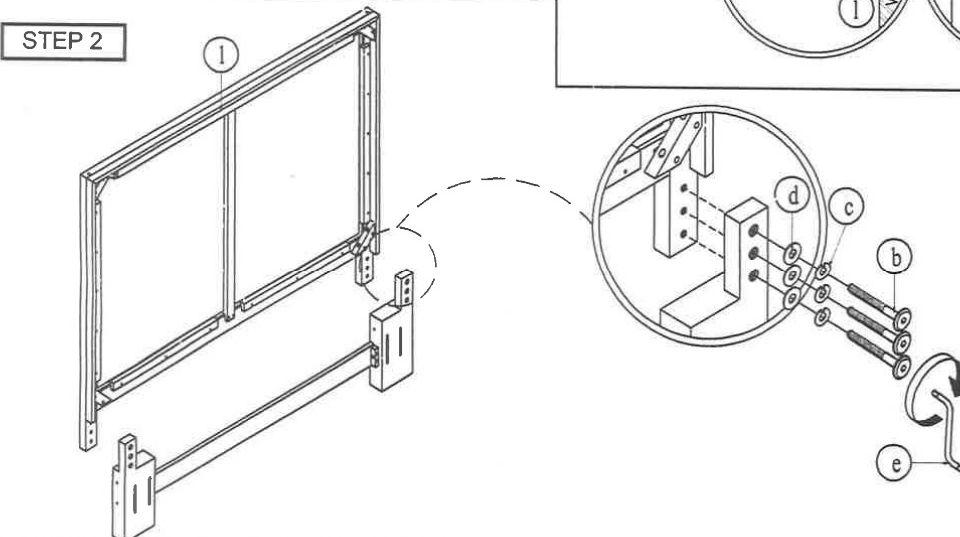
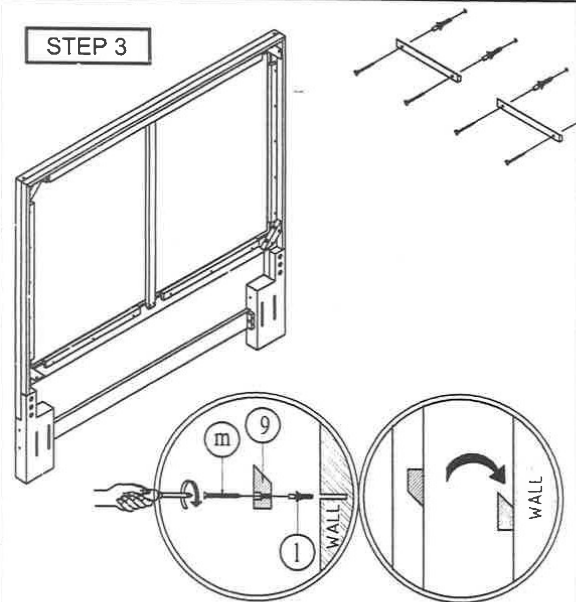
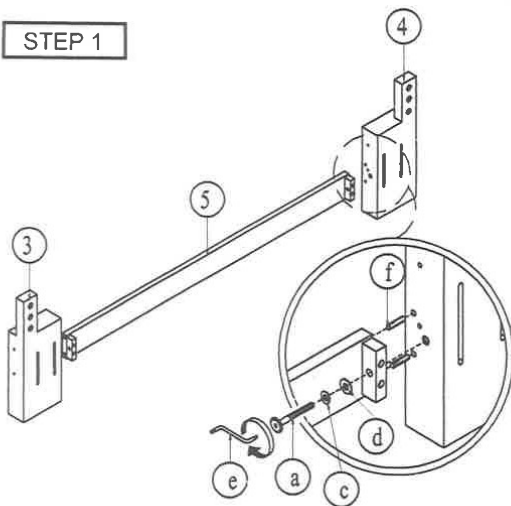


B . Hardware :

- | | |
|---------------------|-----|
| a. Allen Bolt Short | 2 x |
| b. Allen Bolt Long | 6 x |
| c. Lock Washer | 8 x |
| d. Flat Washer | 8 x |
| e. Allen Key | 1 x |
| f. Dowel | 4 x |
| g. Screw JP | 8 x |
| h. Stud Bolt | 8 x |
| i. Square Washer | 8 x |
| j. Hex Nut | 8 x |
| k. Wrench | 1 x |
| l. Fischer | 4 x |
| m. Screw JF | 4 x |

B . Tool Required :

1. Screw Driver = (not included)



4500 - 01Q / 08F - HB

4500 - 01Q - FB

4500 - 01Q - RS

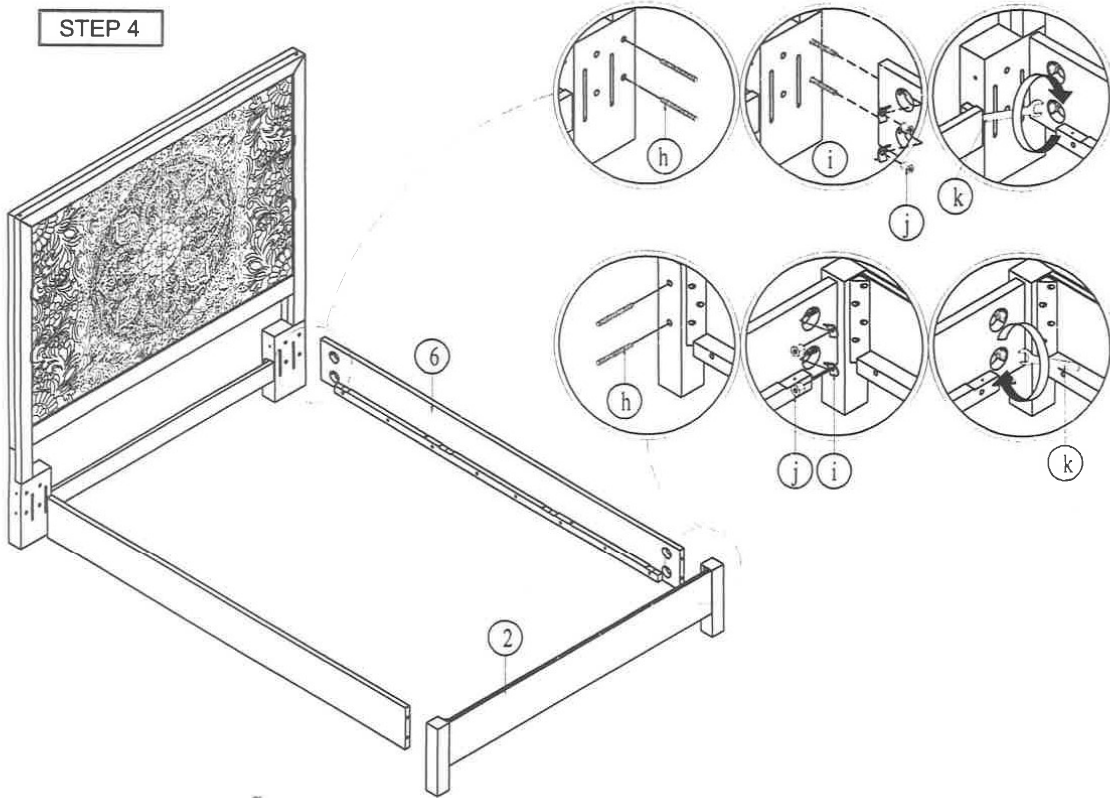
QUEEN / FULL HEADBOARD

QUEEN FOOTBOARD

QUEEN RAILS

4500 SERIES

STEP 4



STEP 5

