

ASSEMBLY INSTRUCTIONS FOR ACME FURNITURE MODEL

#BD04751EK #BD05651EK

Thank you for purchasing the quality product. Be sure to check all packing material carefully for small parts which may have come loose inside the carton during shipment. Separate, identify and count all parts and metal hardware. Compare with all parts list to be sure all parts are present. If any part (s) are missing or damaged, please contact your local furniture dealer. For efficient and speedy service, please indicate the model number and code letter of part (s) needed.

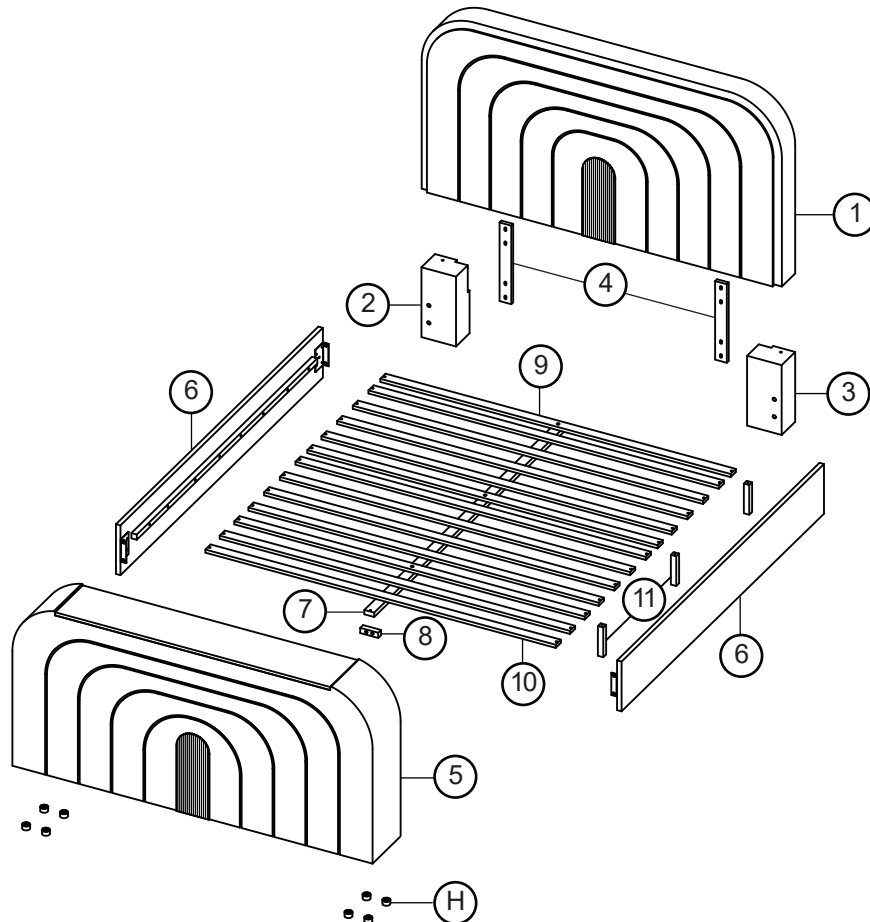
*****Do not fully tighten bolts and screws until fully assembled*****

PART LIST :

PART#	DESCRIPTION	QTY
1	Headboard	1
2	Headboard Leg Left	1
3	Headboard Leg Right	1
4	Headboard Leg Support	2
5	Footboard Storage	1
6	Side Rail	2
7	Center Rail	1
8	Center Rail Support	1
9	Slat With 3 Holes	3
10	Slat With 2 Holes	10
11	Leg Support	3

HARDWARE LIST :

NO	DESCRIPTION	QTY
A	Allen Key With Ball M4	1
B	Connection Bolt (M6 x 30mm) W/Spring Washer & Washer Medium	8
C	Connection Bolt (M6 x 40mm) W/Spring Washer & Washer Medium	10
D	JCBC Bolt M6 x 40mm	2
E	JCBC Bolt M6 x 60mm	3
F	CSK Screw M4 x 32mm	35
G	Adjuster	3
H	Bed Leg	8
I	Adapter Plug	1
J	TV Mount Bracket	1
K	TV Stand Remote	1
L	Fireplace Remote (Battery Not Provided)	1
M	Multi LED Lighting Remote	1



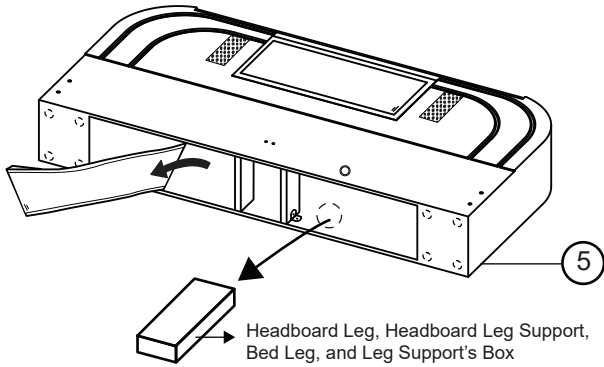
Attention:

*** Some number parts listed on the instruction sheet may not be in parts bag as they may already be assembled. Carefully check parts and packing materials prior to ordering replacements.

HOW TO ASSEMBLE :

STEP: 1

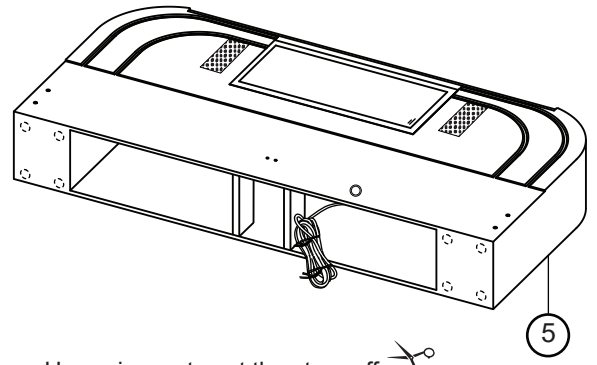
Remove the Cover at the Bottom of the Footboard Storage (5).



Headboard Leg, Headboard Leg Support, Bed Leg, and Leg Support's Box

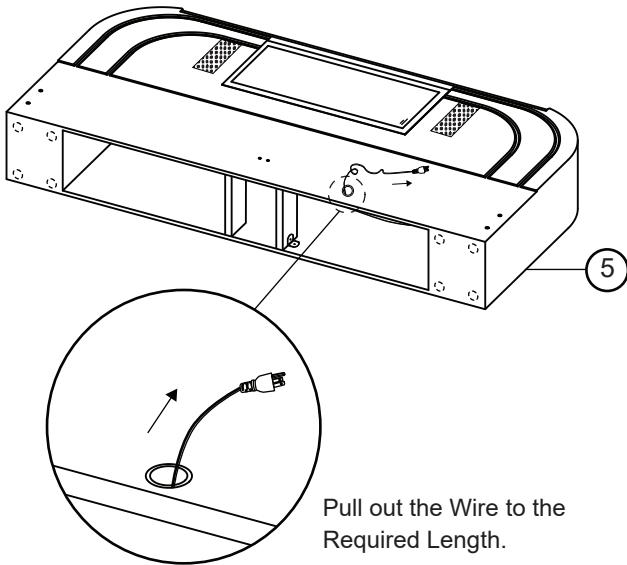
Take Out and Remove the Headboard Leg (2 & 3), Headboard Leg Support (4), Bed Leg (H), and Leg Support (11) which are Inside the Box.

STEP: 2



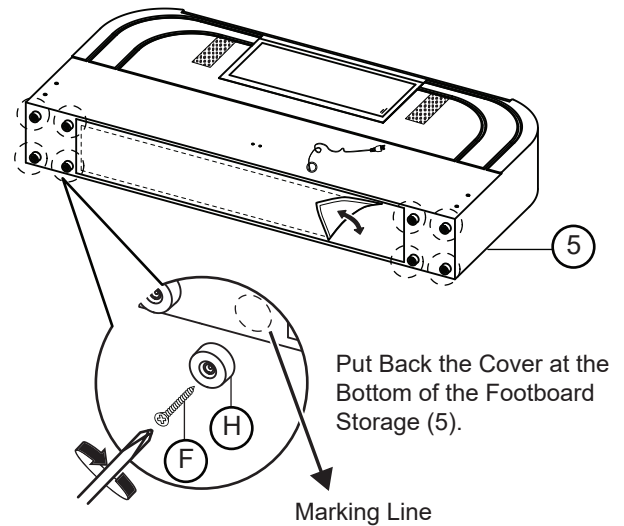
Use scissors to cut the strap off.

STEP: 3



Pull out the Wire to the Required Length.

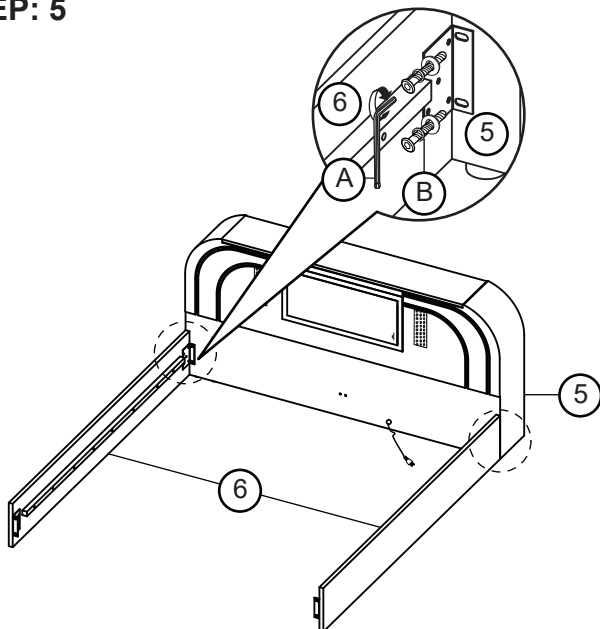
STEP: 4



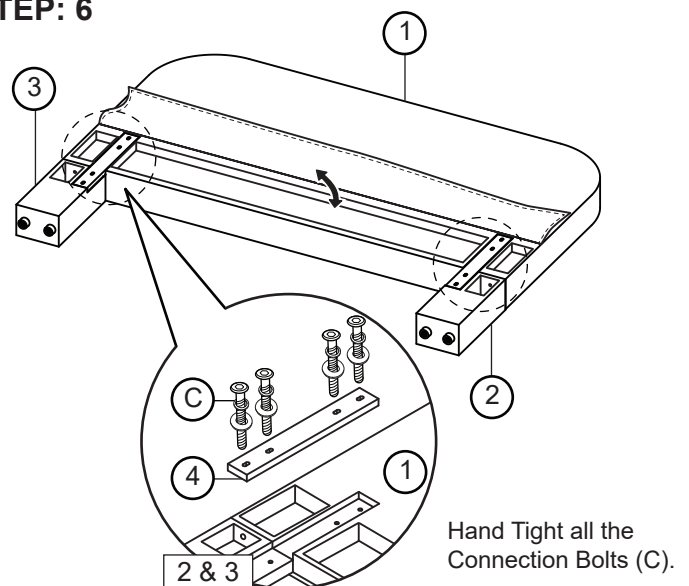
Put Back the Cover at the Bottom of the Footboard Storage (5).

Marking Line

STEP: 5



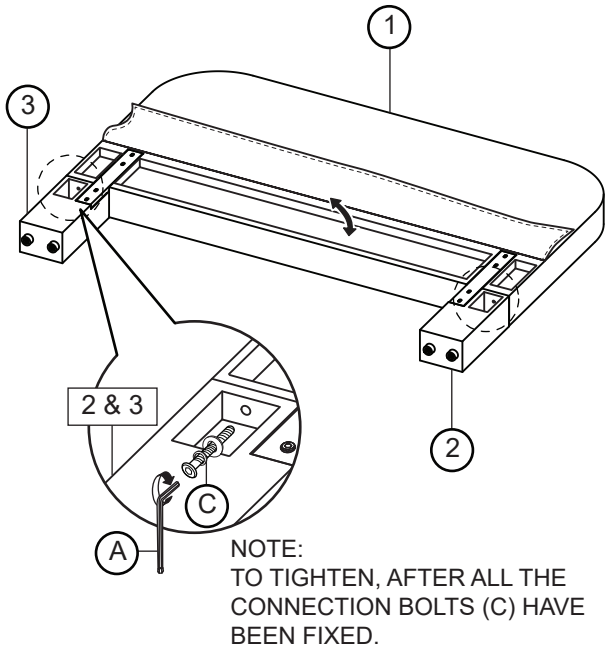
STEP: 6



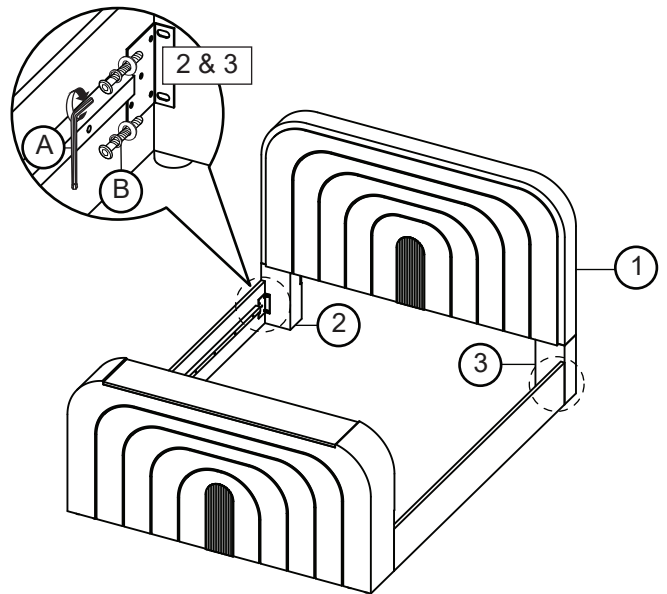
Hand Tight all the Connection Bolts (C).

HOW TO ASSEMBLE :

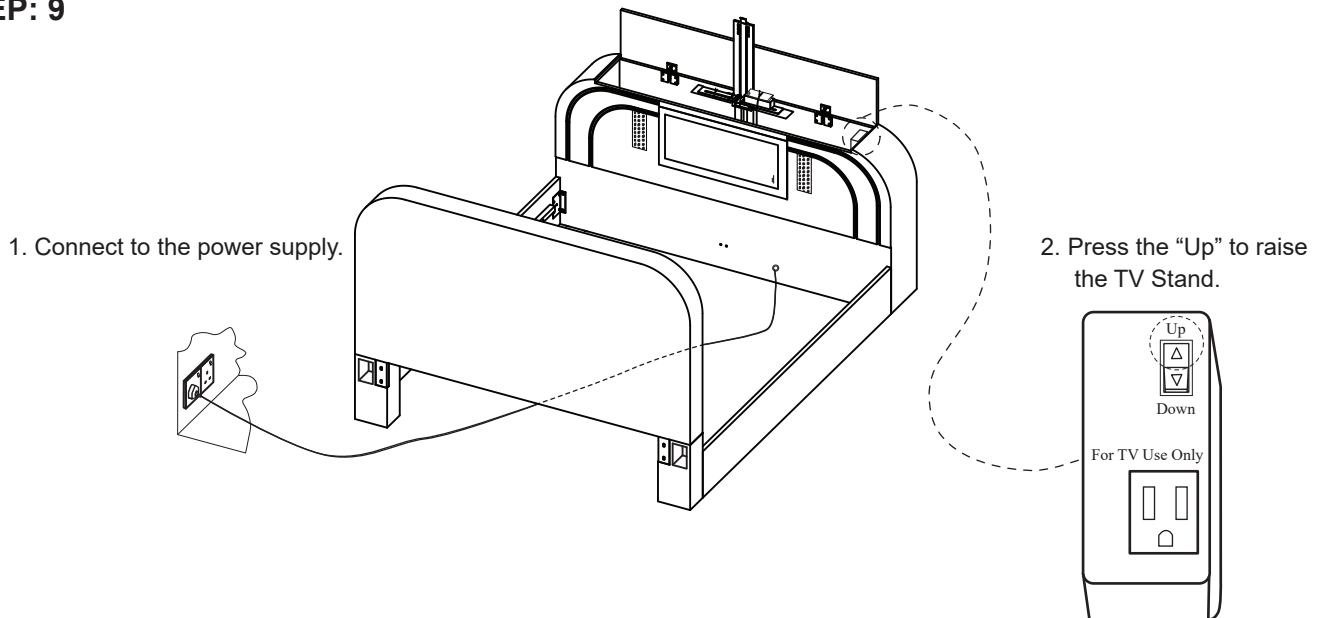
STEP: 7



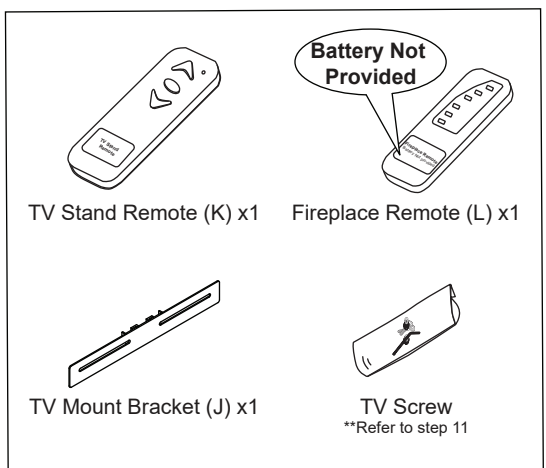
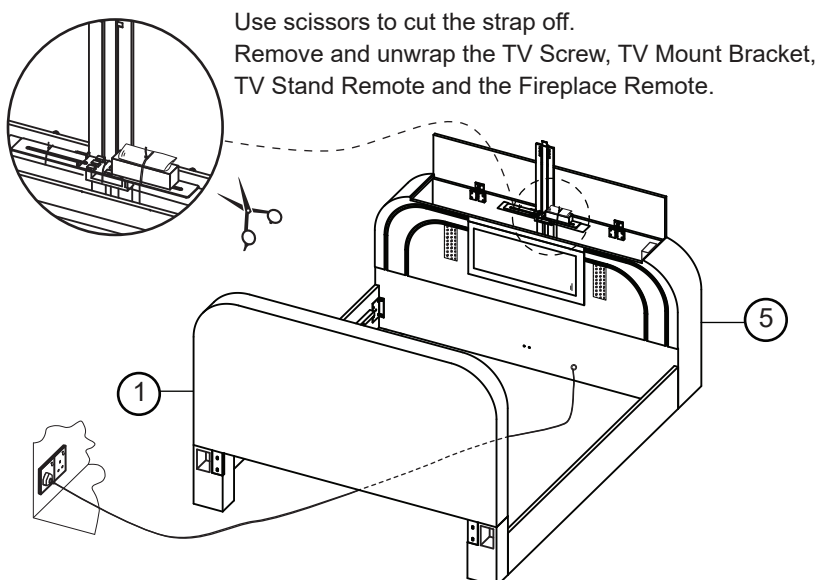
STEP: 8



STEP: 9



STEP: 10

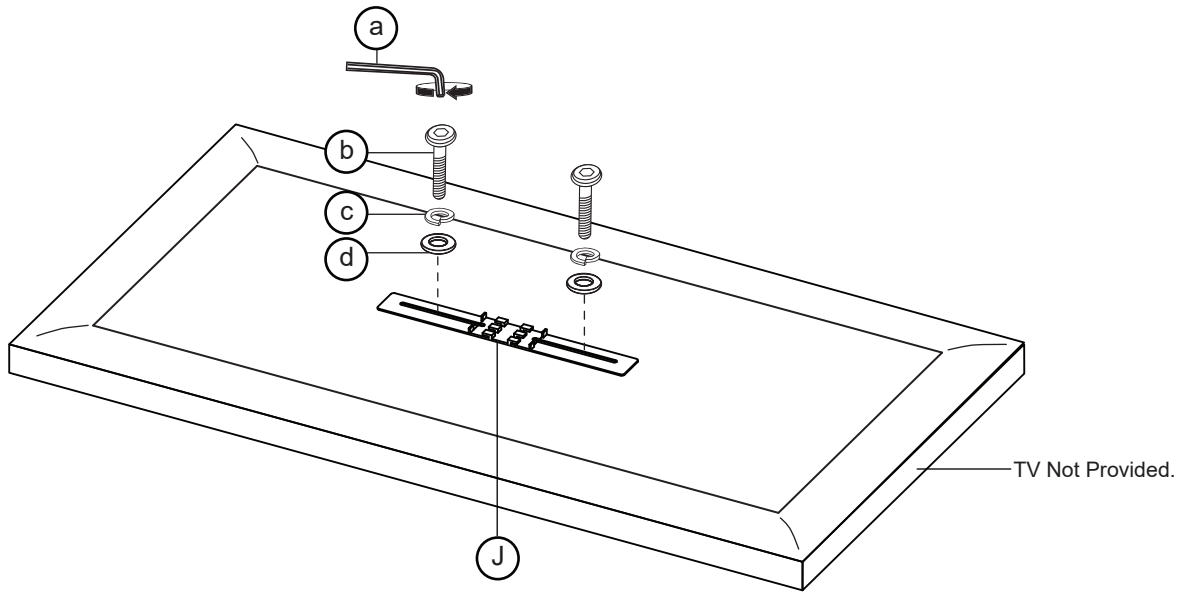


HOW TO ASSEMBLE :

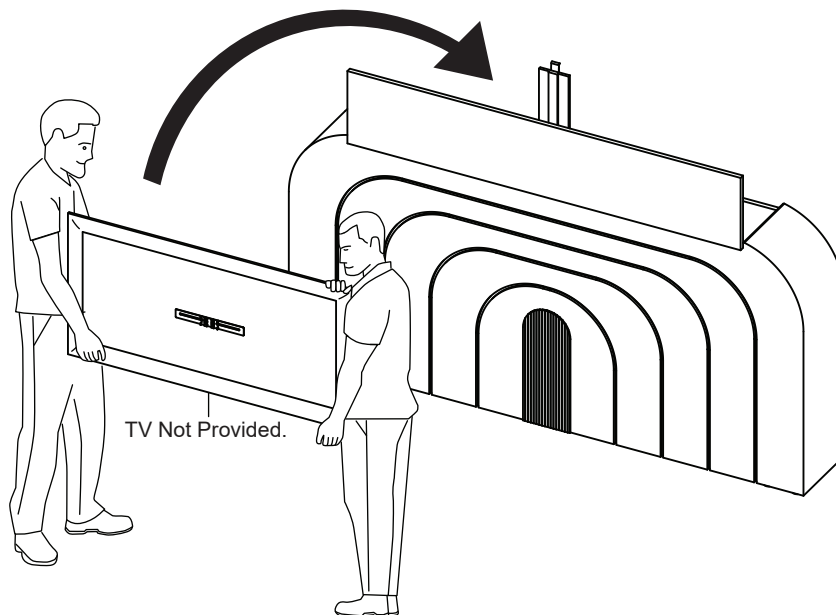
STEP: 11

**IF SCREWS ARE SUPPLIED WITH TV, PLEASE USE THOSE IN PREFERENCE
CHOOSE A SUITABLE SET OF HARDWARE**

a) x1 Short Allen Key (M5)		or	a) x1 Short Allen Key (M4)	
b) x2 JCBB Bolt (M8 x 20mm)			b) x2 JCBB Bolt (M6 x 20mm)	
c) x2 Spring Washer (M8)				
d) x2 Flat Washer Medium (M8 x 22 x 1.0)				

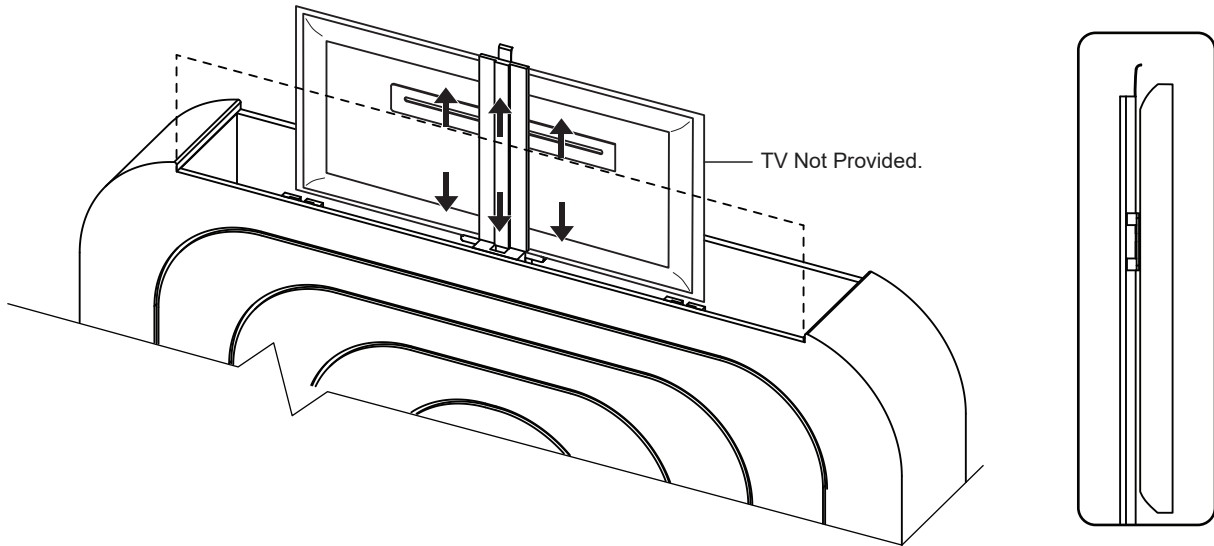


STEP: 12



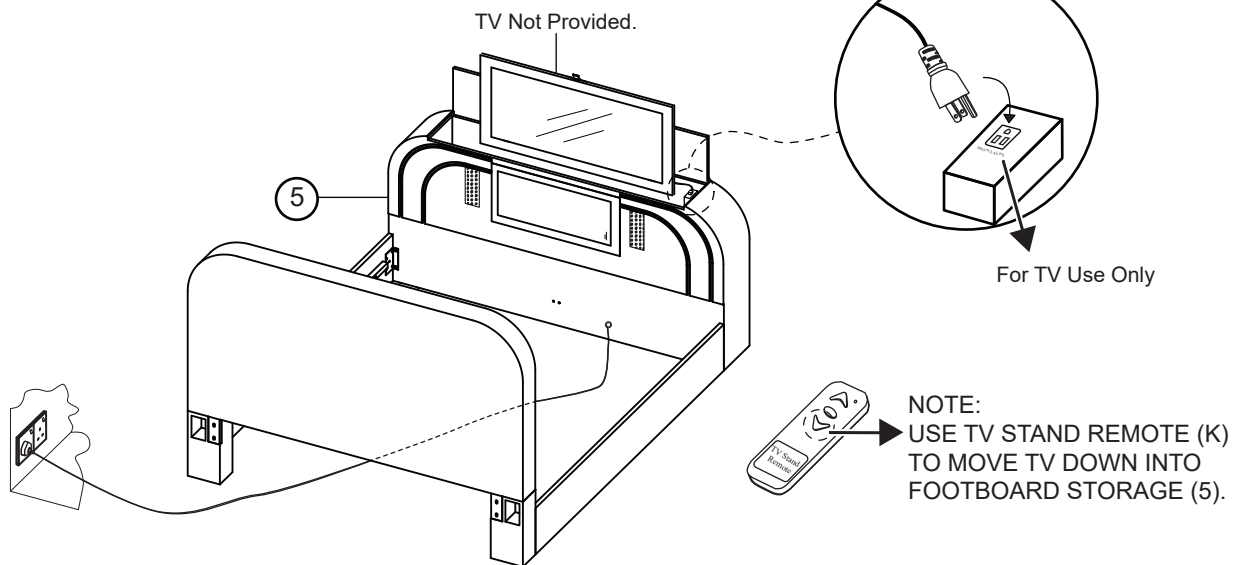
HOW TO ASSEMBLE :

STEP: 13

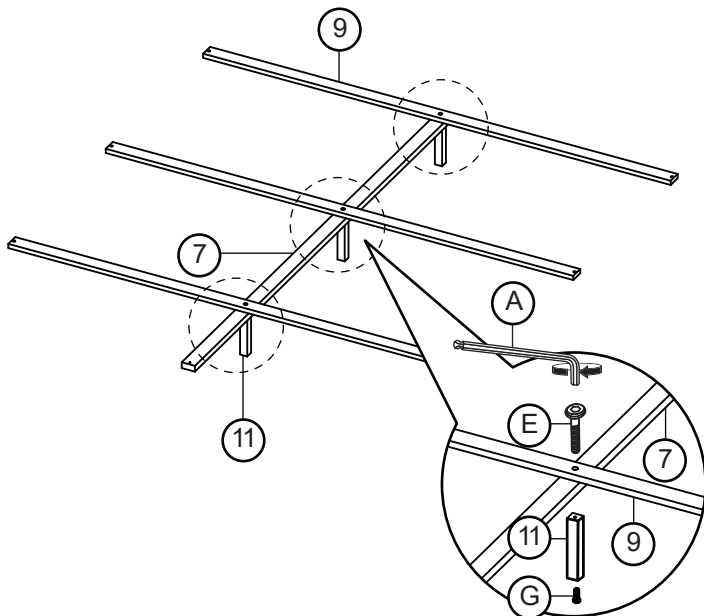


STEP: 14

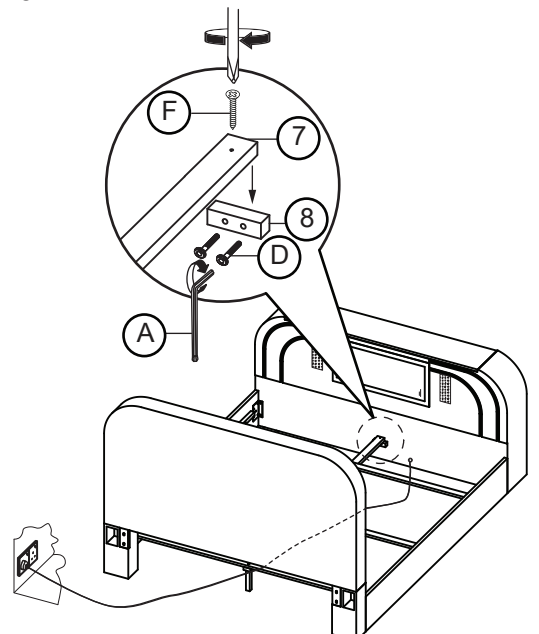
Connect to the TV power supply.



STEP: 15

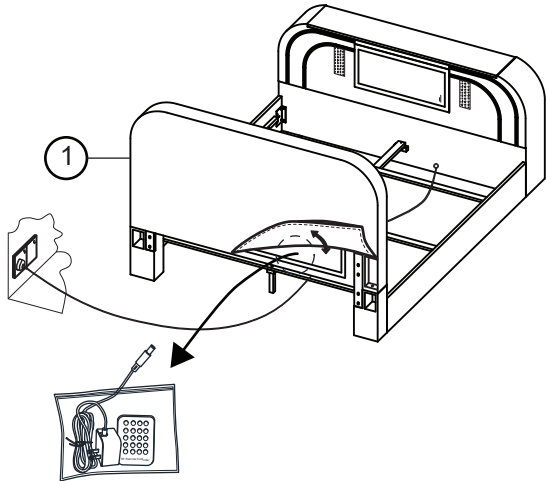


STEP: 16



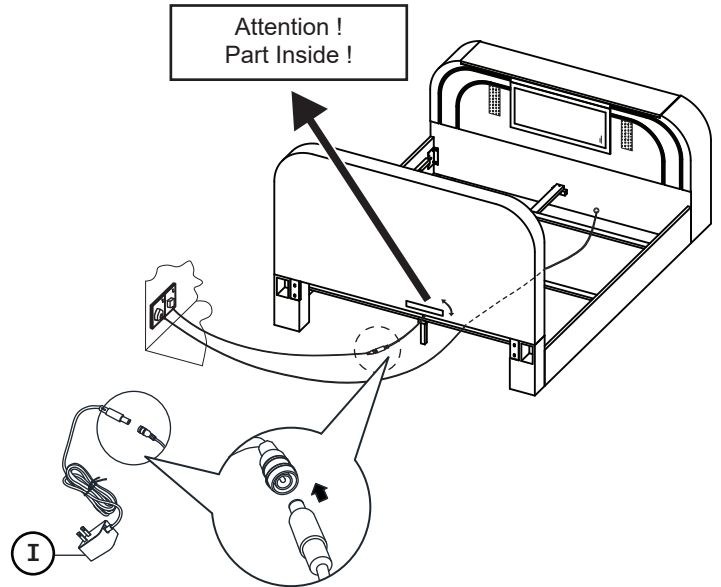
HOW TO ASSEMBLE :

STEP: 17

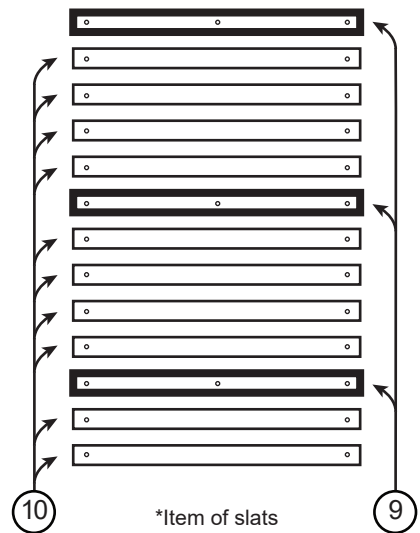
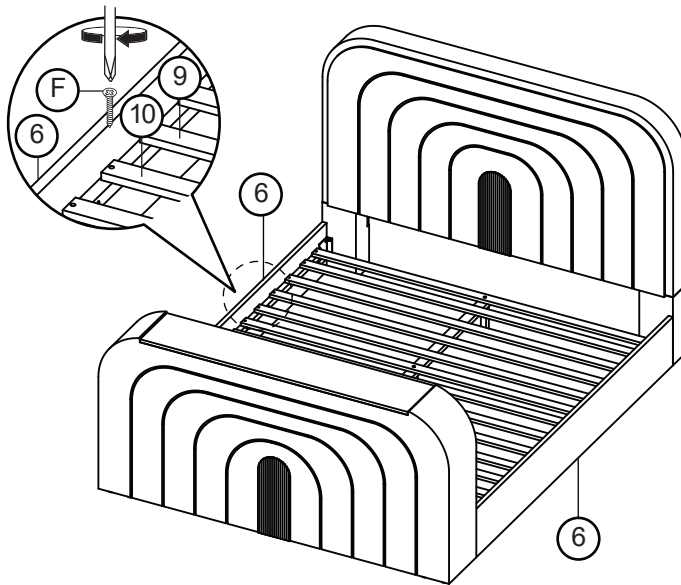


Lift Up the Cover at the Lower End of the Headboard (1).
Take Out the Adapter Plug (I) and Multi LED Lighting Remote (M) which is packed inside the Plastic Bag.

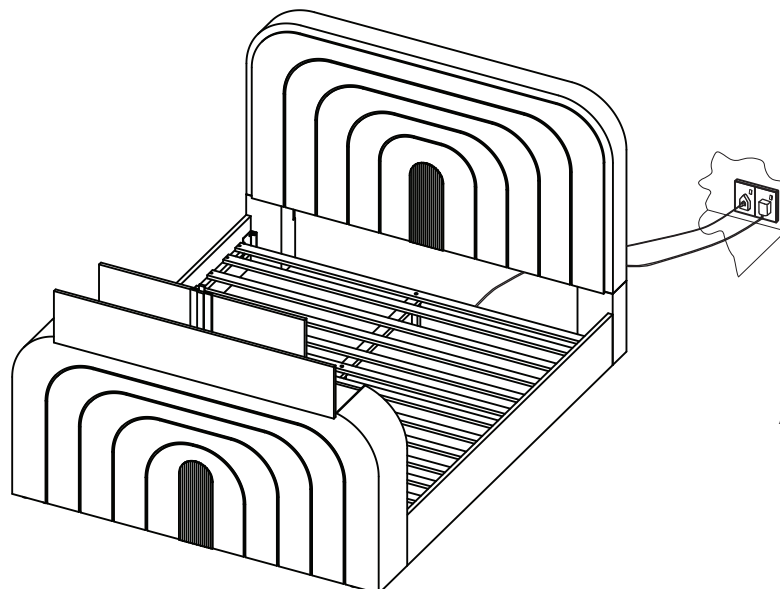
STEP: 18



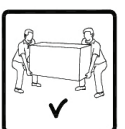
STEP: 19



STEP: 20



ASSEMBLY COMPLETE



ATTENTION

TV LIFT RESTART GUIDE

Triggering the Child Safety Mode:

If the TV lift runs continuously for 6 minutes, the system will activate the “Child Safety Mode”, preventing further operation.

Recovery Steps:

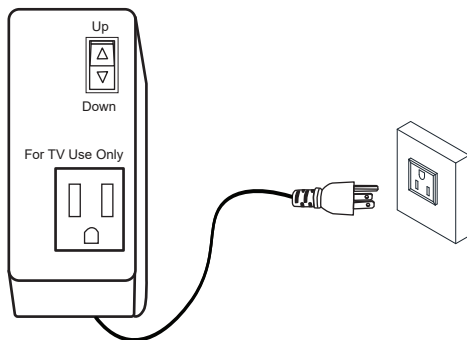
Unplug the power and wait for 60 seconds.

Reconnect the power, then RESET THE REMOTE CONTROL, follow the reset instructions.

The TV stand will resume normal operation.

Reset TV Lift Remote Control

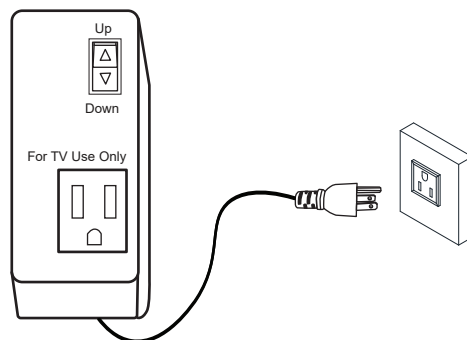
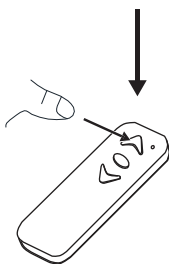
Step 1: Turn off all power to the bed for 60 seconds.



UNPLUG AND WAIT
FOR 1 MINUTE

Step 2: Press either up or down on TV lift remote control and keep the button pressed.

KEEP HELD DOWN



THEN PLUG
BACK IN

Step 3: Turn power back on. Lift shall move then release button.
Continue to operate normally.