










# ASSEMBLY INSTRUCTIONS.

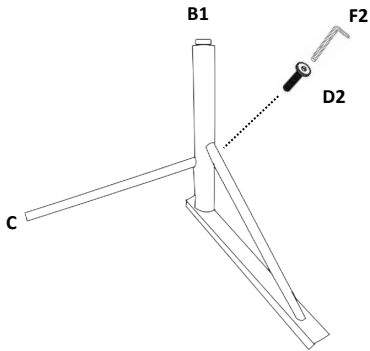
## BENCH

(Before assembling, read all the instruction!)

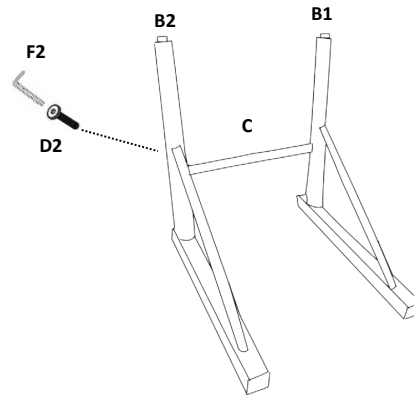
### PACKAGE CONTENTS

								
A=1PC	B1=2PCS	B2=2PCS	C=2PCS	D1=8PCS	D2=4PCS	E=8PCS	F1=1PC	F2=1PC

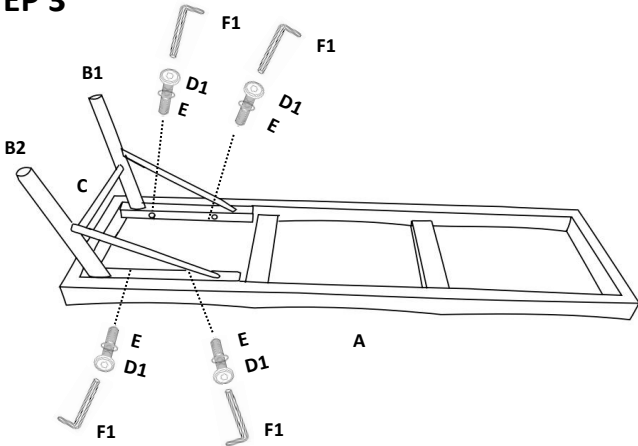
### STEP 1



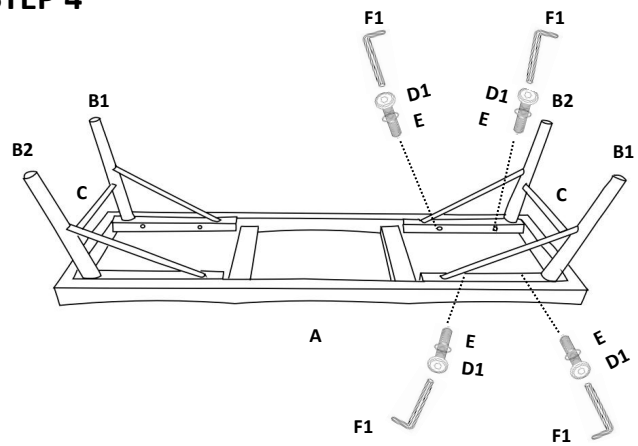
### STEP 2



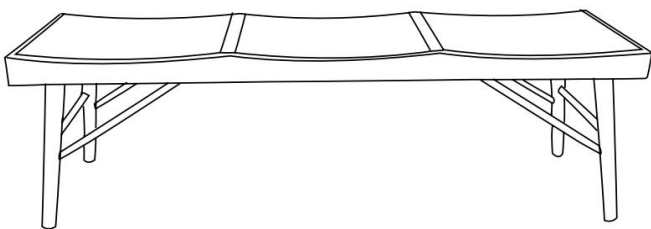
### STEP 3



### STEP 4



### STEP 5



Please ensure the chair is level on the floor, then fully tighten all bolts!