

F29905

STERLING FALLS SWING SET

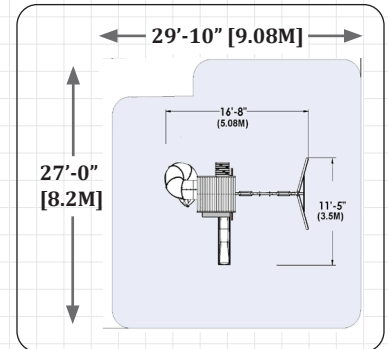


OBSTACLE FREE SAFETY ZONE - 29' 10" (9.08m) x 27' (8.2m) area requires Protective Surfacing. See Page 4.

MAXIMUM VERTICAL FALL HEIGHT - 6' 9" (2.06m)

CAPACITY - 10 Users Maximum, Ages 3 to 10; Weight Limit 110 lbs. (50 kg) per child.

RESIDENTIAL HOME USE ONLY. Not intended for public areas such as schools, churches, nurseries, day cares or parks.



INSTALLATION AND OPERATING INSTRUCTIONS

FOR 24/7 ONLINE PARTS REPLACEMENT

parts.kidkraft.com

Backyard Kids, LLC DBA KidKraft
317 S. Main St.
Ann Arbor, MI 48104

customerservice@kidkraft.com
1.800.933.0771
972.385.0100

9409905

Rev 11/06/2024

⚠ WARNING

To reduce the risk of serious injury or death, please read and follow these instructions. Keep and refer to instructions as needed and pass along to any future owners of this item.

Congratulations on purchasing a KidKraft product!

**Our items are made of high-quality,
durable Cunninghamia Lanceolata wood
from the cypress family.**

**Lumber from these trees are known for
their light weight and excellent strength.
The porosity of this wood allows the
moisture to absorb and evaporate in the
fibers, resisting rot and bugs.**

**Engineered for great play, our products
also go through extensive testing for safety.**

**Plus, our team has developed a series of
proprietary methods for a simpler, more
organized assembly. Less build time and
more play time is our motto!**

**However, during assembly if you have any
questions or concerns, please reach out.
Our Customer Service can help with missing
parts, instructions or maintenance.**



Warnings and Safe Play Instructions



CONTINUOUS ADULT SUPERVISION REQUIRED. Most serious injuries and deaths on playground equipment have occurred while children were unsupervised! Our products are designed to meet mandatory and voluntary safety standards. Complying with all warnings and recommendations in these instructions will reduce the risk of serious or fatal injury to children using this play system. Go over the warnings and safe play instructions regularly with your children and make certain that they understand and follow them. Remember on-site adult supervision is required for children of all ages.



WARNING

SERIOUS HEAD INJURY HAZARD

Installation over concrete, asphalt, dirt, grass, carpet and other hard surface creates a risk of serious injury or death from falls to the ground. Install and maintain shock absorbing material under and around play-set as recommended on page 4 of these instructions.

COLLISION HAZARD

Place play-set on level ground at least 1.8m from any obstruction such as a garage or house, fences, poles, trees, sidewalks, walls, landscape timbers, rocks, pavement, planters, garden borders, overhanging branches, laundry lines, and electrical wires. (See OBSTACLE FREE SAFETY ZONE on cover)

CHOKING HAZARD/SHARP EDGES & POINTS

Adult assembly required. This product contains small parts and parts with sharp edges and points. Keep parts away from children until fully assembled.

WARNING LABEL

Owners shall be responsible for maintaining the legibility of the warning labels.

STRANGULATION HAZARD

- NEVER allow children to play with ropes, clotheslines, pet leashes, cables, chains or cord-like items when using this play-set or to attach these items to play-set.
- NEVER allow children to wear loose fitting clothing, ponchos, hoods, scarves, capes, necklaces, items with draw-strings, cords or ties when using this play-set.
- NEVER allow children to wear bike or sport helmets when using this play-set.

Failure to prohibit these items, even helmets with chin straps, increases the risk of serious injury and death to children from entanglement and strangulation.

TIP OVER HAZARD

Choose a level location for the equipment. This can reduce the likelihood of the play set tipping over and loose-fill surfacing materials washing away during heavy rains.

DO NOT allow children to play on the play-set until the assembly is complete and the unit is properly anchored.

Never add extra length to chain or rope. The chains or ropes provided are the maximum length designed for the swinging element(s).



WARNING – Safe Play Instructions

- ✓ Observe capacity limitations of your play-set. See front cover.
- ✓ Dress children with well fitting and full foot enclosing footwear.
- ✓ Teach children to sit with their full weight in the center of the swing seat to prevent erratic swing motion or falling off.
- ✓ Check for splintered, broken or cracked wood; missing, loose, or sharp edged hardware. Replace, tighten and or sand smooth as required prior to playing.
- ✓ Verify that suspended climbing ropes, rope ladders, chain or cable are secured at both ends and cannot be looped back on itself as to create an entanglement hazard.
- ✓ On sunny and or hot days, check the slide and other plastic rides to assure that they are not very hot as to cause burns. Cool hot slide and rides with water and wipe dry prior to using.
- ✓ Orientate slide such that it gets the least amount of exposure to the sun.
- ✗ Do not allow children to wear open toe or heel footwear like sandals, flip-flops or clogs.
- ✗ Do not allow children to walk, in front, between, behind or close to moving rides.
- ✗ Do not let children twist swing chains or ropes or loop them over the top support bar. This may reduce the strength of the chain or rope and cause premature failure.
- ✗ Do not let children get off rides while they are in motion.
- ✗ Do not permit climbing on equipment when it is wet.
- ✗ Do not permit rough play or use of equipment in a manner for which it was not intended. Standing on or jumping from the roof, elevated platforms, swings, climbers, ladders or slide can be dangerous.
- ✗ Do not allow children to swing empty rides or seats.
- ✗ Do not allow children to go down slide head first or run up slide.

! Protective Surfacing - Reducing Risk of Serious Head Injury From Falls

One of the most important things you can do to reduce the likelihood of serious head injuries is to install shock-absorbing protective surfacing under and around your play equipment. The protective surfacing should be applied to a depth that is suitable for the equipment height in accordance with ASTM F1292. There are different types of surfacing to choose from; whichever product you select, follow these guidelines:

Loose-Fill Materials

- Maintain a minimum depth of 9 inches (23 cm) of loose-fill materials such as wood mulch/chips, engineered wood fiber (EWF), or shredded/recycled rubber mulch for equipment up to 8 feet (2.45 m) high; and 9 inches (23 cm) of sand or pea gravel for equipment up to 5 feet (1.5 m) high. NOTE: An initial fill level of 12 inches (31 cm) will compress to about a 9-inch (23 cm) depth of surfacing over time. The surfacing will also compact, displace, and settle, and should be periodically raked and refilled to maintain at least a 9-inch (23 cm) depth.
- Use a minimum of 6 inches (16 cm) of protective surfacing for play equipment less than 4 feet (1.22 m) in height. If maintained properly, this should be adequate. (At depths less than 6 inches (16 cm), the protective material is too easily displaced or compacted.)

NOTE: Do not install home playground equipment over concrete, asphalt, or any other hard surface. A fall onto a hard surface can result in serious injury to the equipment user. Grass and dirt are not considered protective surfacing because wear and environmental factors can reduce their shock absorbing effectiveness. Carpeting and thin mats are not adequate protective surfacing. Ground level equipment -- such as a sandbox, activity wall, playhouse or other equipment that has no elevated play surface -- does not need any protective surfacing.

- Use containment, such as digging out around the perimeter and/or lining the perimeter with landscape edging. Don't forget to account for water drainage.
- Periodically rake, check and maintain the depth of the loose-fill surfacing material. Marking the correct depth on the play equipment support posts will help you to see when the material has settled and needs to be raked and or replenished. Be sure to rake and evenly redistribute the surfacing in heavily used areas.
- Do not install loose fill surfacing over hard surfaces such as concrete or asphalt.

Poured-In-Place Surfaces or Pre-Manufactured Rubber Tiles

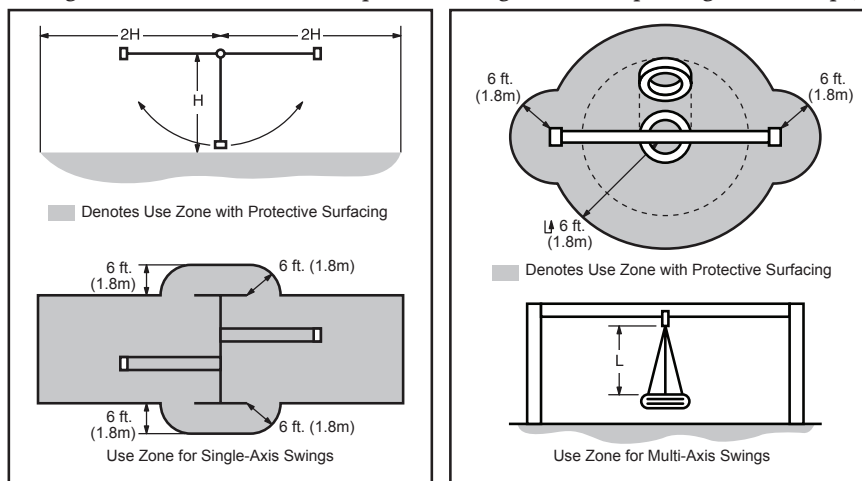
You may be interested in using surfacing other than loose-fill materials - like rubber tiles or poured-in-place surfaces.

- Installations of these surfaces generally require a professional and are not "do-it yourself" projects.
- Review surface specifications before purchasing this type of surfacing. Ask the installer/manufacturer for a report showing that the product has been tested to the following safety standard: ASTM F1292 *Standard Specification for Impact Attenuation of Surfacing Materials within the Use Zone of Playground Equipment*. This report should show the specific height for which the surface is intended to protect against serious head injury. This height should be equal to or greater than the fall height - vertical distance between a designated play surface (*elevated surface for standing, sitting, or climbing*) and the protective surfacing below - of your play equipment.
- Check the protective surfacing frequently for wear.

Placement

Proper placement and maintenance of protective surfacing is essential. Refer to diagram on front cover. Be sure to;

- Extend surfacing at least 6 feet (1.8 m) from the equipment in all directions.
- For to-fro swings, extend protective surfacing in front of and behind the swing to a distance equal to twice the height of the top bar from which the swing is suspended.
- For tire swings, extend surfacing in a circle whose radius is equal to the height of the suspending chain or rope, plus 6 feet (1.8 m) in all directions.

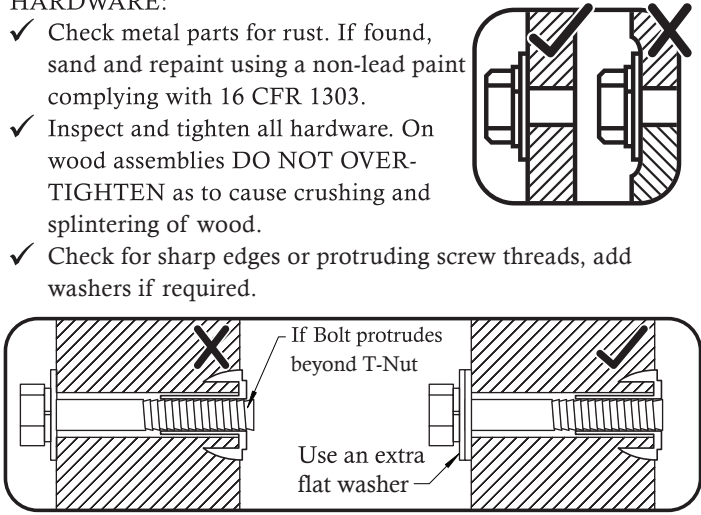


From the CPSC Outdoor Home Playground Safety Handbook. At <http://www.playgroundregs.com/resources/CPSC%20324.pdf>

Instructions for Proper Maintenance

Your KidKraft Play System is designed and constructed of quality materials with your child's safety in mind. As with all outdoor products used by children, it will weather and wear. To maximize the enjoyment, safety and life of your Play Set, it is important that you, the owner, properly maintain it. Failure to follow maintenance directions below can cause the swing set to overturn or otherwise become a hazard to children.

Check the following at the beginning of the play season:

<p>HARDWARE:</p> <ul style="list-style-type: none"> ✓ Check metal parts for rust. If found, sand and repaint using a non-lead paint complying with 16 CFR 1303. ✓ Inspect and tighten all hardware. On wood assemblies DO NOT OVER-TIGHTEN as to cause crushing and splintering of wood. ✓ Check for sharp edges or protruding screw threads, add washers if required.  <p>If Bolt protrudes beyond T-Nut Use an extra flat washer</p> <p>SHOCK ABSORBING SURFACING:</p> <ul style="list-style-type: none"> ✓ Check for foreign objects. Rake and check depth of loose fill protective surfacing materials to prevent compaction and maintain appropriate depth. Replace as necessary. (See Protective Surfacing, page 4) 	<p>GROUND STAKES (ANCHORS):</p> <ul style="list-style-type: none"> ✓ Check for looseness, damage or deterioration. Should firmly anchor unit to ground during use. Re-secure and or replace, if necessary. <p>SWING HANGERS:</p> <ul style="list-style-type: none"> ✓ Check that bolts are secure and tight. Quick clips should be completely closed and threaded clips screwed tight. ✓ If squeaking occurs lubricate bushings with oil or WD-40®. <p>SWINGS, ROPES AND RIDES:</p> <ul style="list-style-type: none"> ✓ Reinstall if removed during cold season. Check all moving parts including swing seats, ropes, chains and attachments for wear, rust and other deterioration. Replace as needed. ✓ Check that ropes are tight, secure at both ends and cannot loop back as to create an entrapment. <p>WOOD PARTS:</p> <ul style="list-style-type: none"> ✓ Check all wood members for deterioration, structural damage and splintering. Sand down splinters and replace deteriorated wood members. As with all wood, some checking and small cracks in grain is normal. ✓ Applying a water repellent or stain (water-based) on a yearly basis is important maintenance to maintain maximum life and performance of the product.
---	---

Check twice a month during play season:

<p>HARDWARE:</p> <ul style="list-style-type: none"> ✓ Inspect for tightness. Must be firmly against, but not crushing the wood. DO NOT OVER-TIGHTEN. This will cause splintering of wood. ✓ Check for sharp edges or protruding screw threads. Add washers if required. 	<p>SHOCK ABSORBING SURFACING:</p> <ul style="list-style-type: none"> ✓ Rake and check depth of loose fill protective surfacing materials to prevent compaction and maintain appropriate depth. Replace as necessary. (See Protective Surfacing, page 4)
---	---

Check once a month during play season:

<p>SWING HANGERS:</p> <ul style="list-style-type: none"> ✓ Check that they are secure and orientated correctly. Hook should rotate freely and perpendicular to support beam. ✓ If squeaking occurs lubricate bushings with oil or WD-40®. 	<p>SWINGS AND RIDES:</p> <ul style="list-style-type: none"> ✓ Check swing seats, all ropes, chains and attachments for fraying, wear, excessive corrosion or damage. Replace if structurally damaged or deteriorated.
--	---

Check at the end of the play season:

<p>SWINGS AND RIDES:</p> <ul style="list-style-type: none"> ✓ To prolong their life, remove swings and store inside when outside temperature is below 32°F/0°C. Below freezing, plastic parts may become more brittle. 	<p>SHOCK ABSORBING SURFACING:</p> <ul style="list-style-type: none"> ✓ Rake and check depth of loose fill protective surfacing materials to prevent compaction and maintain appropriate depth. Replace as necessary. (See Protective Surfacing, page 4)
--	---

If you dispose of your play set: Please disassemble and dispose of your unit so that it does not create any unreasonable hazards at the time it is discarded. Be sure to follow your local waste ordinances.

About Our Wood

KidKraft Premium Play Systems uses only premium playset lumber, ensuring the safest product for your children's use. Although we take great care in selecting the best quality lumber available, wood is still a product of nature and susceptible to weathering which can change the appearance of your set.

What causes weathering? Does it affect the strength of my Play System?

One of the main reasons for weathering is the effects of water (moisture); the moisture content of the wood at the surface is different than the interior of the wood. As the climate changes, moisture moves in or out of the wood, causing tension which can result in checking and or warping. You can expect the following due to weathering. These changes will not affect the strength of the product:

1. **Checking** is surface cracks in the wood along the grain. A post 4" x 4" (101mm x 101mm) will experience more checking than a board 1" x 4" (25mm x 101mm) because the surface and interior moisture content will vary more widely than in thinner wood.
2. **Warping** results from any distortion (twisting, cupping) from the original plane of the board and often happens from rapid wetting and drying of the wood.
3. **Fading** happens as a natural change in the wood color as it is exposed to sun-light and will turn a grey over time.

How can I reduce the amount of weathering to my Play System?

At the factory we have coated the wood with a water repellent or stain. This coating decreases the amount of water absorption during rain or snow thus decreasing the tension in the wood. Sunlight will break down the coating, so we recommend applying a water repellent or stain on a yearly basis (see your local stain and paint supplier for a recommended product).

Most weathering is just the normal result of nature and will not affect safe play and enjoyment for your child. However if you are concerned that a part has experienced a severe weathering problem please call our consumer relations department for further assistance.

Complete and mail registration card to receive important product notifications and assure prompt warranty service.

KidKraft Limited Warranty

MISSING OR DAMAGED PARTS:

KidKraft will replace any parts within 90 days from date of purchase found to be missing from or damaged in the original packaging. See Fig.1

Fig. 1	<u>Product Age (All Parts)</u> 0-90 Days from date of purchase	<u>Consumer Pays</u> \$0 for Part + Free Shipping
--------	---	--

DEFECTS IN MATERIAL AND WORKMANSHIP:

KidKraft warrants that this product is free from defects in materials and workmanship for a period of one (1) year from the original date of purchase (dated sales receipt and/or product registration is required). This one (1) year warranty covers all parts including wood, hardware, and all accessories (Such as swings, rides, and slides). See Fig. 2

Fig. 2	<u>Product Age (All Parts)</u> 91 Days to 1 Year	<u>Consumer Pays</u> \$0 for Part + Free Shipping
--------	---	--

WOOD ROT, DECAY, AND INSECT DAMAGE:

All wood carries a five (5) year warranty against rot, decay, and insect damage (dated sales receipt and/or product registration is required). Refer to the schedule below for charges associated with replacement of wood parts under this **Limited Warranty**. See Fig. 3

Fig. 3	<u>Product Age (Wood Parts)</u> 0 Days to 1 Year After 1 Year to 5 Year Over 5 Years	<u>Consumer Pays</u> \$0 for Part + Free Shipping \$0 for Part + Shipping & Handling 100% for Part (if available) + Shipping & Handling
--------	---	--

This warranty applies to the original owner and registrant and is non-transferable. Regular maintenance is required to ensure the integrity of this product. Failure by the owner to maintain the product according to the maintenance requirements may void this warranty.

This Limited Warranty does NOT cover:

- Any inspection cost
- Labor and/or costs for replacement of any defective item(s), including but not limited to, professional installer costs
- Incidental or consequential damages, including but not limited to, as a result of set relocation, move and/or reinstall
- Cosmetic defects which do not affect performance or integrity of a part or the entire product
- Vandalism, improper use or installation, or acts of nature, including but not limited to, high winds, fire, and flood
- Minor twisting, warping, checking, or any natural occurring properties of wood that do not affect performance or integrity.
- Any KidKraft product purchased, including but not limited to, a non-approved retailer, auction houses, second-hand, and as-is clearance items.

KidKraft products have been designed for safety and quality. Modifications made to the original product may damage the structural integrity of the unit leading to failure and possible injury. KidKraft cannot assume any responsibility for the modified products. Furthermore, modifications void all warranties.

This product is warranted for **RESIDENTIAL USE ONLY**. Under no circumstance should a KidKraft product be used in public settings such as schools, churches, playgrounds, parks, home and professional day cares and the like. Such use may lead to product failure and failure and potential injury. Public use will void this warranty. KidKraft disclaims all other representations and warranties of any kind, express or implied.

Keys to Assembly Success

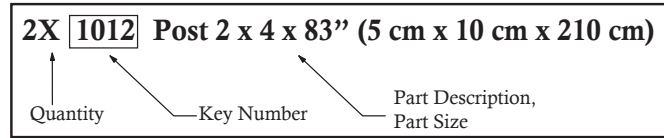
Tools Required

<ul style="list-style-type: none"> • Tape Measure • Carpenter's Level • Carpenter's Square • Claw Hammer • Standard or Cordless Drill • Rubber Mallet 	<ul style="list-style-type: none"> • #1 Phillips and #2 Robertson Screwdrivers • Ratchet with Extension 1/2" (13mm) & 7/16" (11mm) Sockets 	<ul style="list-style-type: none"> • Open-End Wrench 1/2" (13mm) & 7/16" (11mm) • Adjustable Wrench • 1/8" (3mm) Drill Bit 	<ul style="list-style-type: none"> • 3/16" (5mm) Hex Key • 8' (2.4m) Step Ladder • Safety Glasses • Adult Helpers • Pencil
---	---	--	---

Part Identification Key

Listed on each page are the parts and quantities required to complete the assembly step illustrated on that page.

EXAMPLE



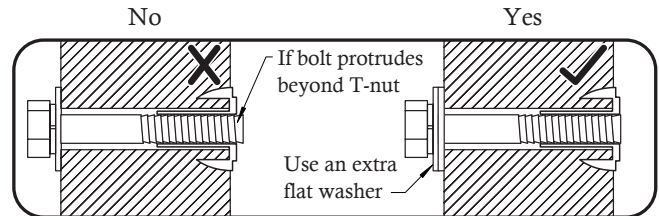
Symbols

Throughout these instructions, symbols are provided as important reminders for proper and safe assembly.

<p>This identifies information that requires special attention. Improper assembly could lead to an unsafe or dangerous condition.</p>	<p>Check that the set or assembly is properly level before proceeding.</p> <p>Use Level</p>
<p>Use Help</p> <p>Use Help</p> <p>Where this is shown, 2 or 3 people are required to safely complete the step. To avoid injury or damage to the assembly, make sure to get help!</p>	<p>Pre-drill 1/8" (3mm) Bit</p> <p>Pre-drill a pilot hole before fastening screw or lag to prevent splitting of wood.</p> <p>3mm</p>
<p>Measure Distance</p> <p>Check that assembly is square before tightening bolts.</p> <p>Square Assembly</p> <p>Use a measuring tape to ensure proper location.</p>	<p>Tighten Bolts</p> <p>This indicates time to tighten bolts, but not too tight! Do not crush the wood. This may create splinters and cause structural damage.</p>

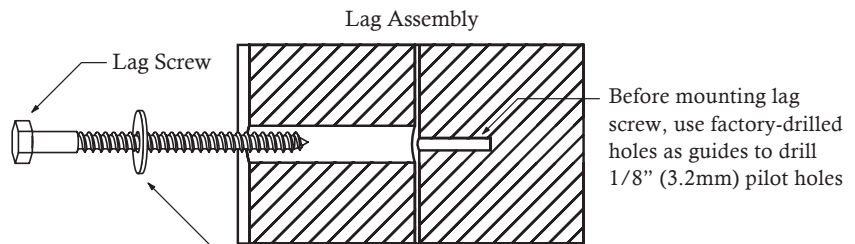
CAUTION – Protrusion Hazard

Once the assembly is tightened, watch for exposed threads. If a thread protrudes from the T-nut, remove the bolt and add washers to eliminate this condition. Extra washers have been provided for this purpose.

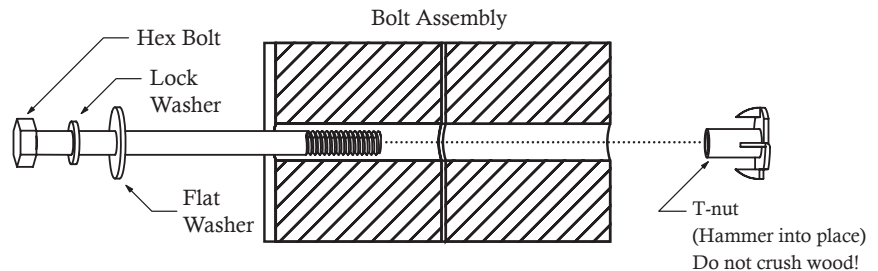


Proper Hardware Assembly

Lag screws require drilling pilot holes to avoid splitting wood. Only a flat washer is required. For ease of installation, liquid soap can be used on all lag-type screws.



For bolts, tap T-nut into hole with hammer. Insert the hex bolt through lock washer first, then flat washer, then hole. Because the assemblies need to be squared, do not completely tighten until instructed. Pay close attention to diameter of the bolts. 5/16" (8mm) is slightly larger than 1/4" (6.4mm)

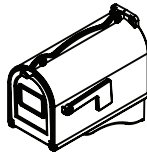


Note: Wafer head bolts with blue lock tight or a bolt with a Nylock® nut do NOT require a lock washer.

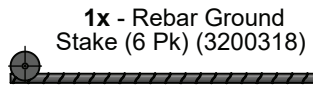
Part Identification (Reduced Part Size)



1x - KidKraft ID Plaque (9320374)



1x - Mailbox (3320107)



1x - Rebar Ground Stake (6 Pk) (3200318)



1x - Quick Link with Thread (6 Pk) (3206020)



1x - KidKraft Logo Plaque (3320353)

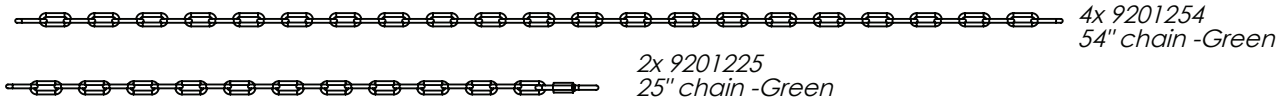


1x - Jamb Mount (4 Pk) (3206302)

1x - Rocks (5pk) (3320386)

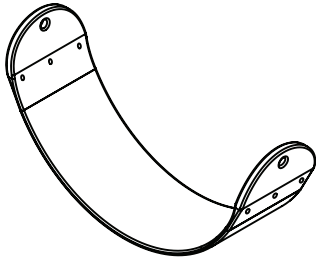


1x - Welded Chain Bag (3200170) Green



4x 9201254 54" chain -Green

2x 9201225 25" chain -Green



2x - Swing Belt Seat (9320130) Green

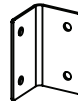
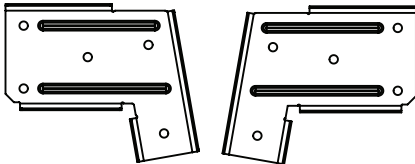


1x - Swing Hanger (6 Pk) (3206106)

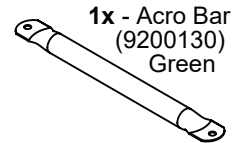


2x - Acro Handle (9320131) Green

1x - Beam Brkt.Set (3200143)



1x - Beam L Brkt. (3200145) (2pk)



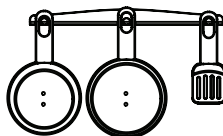
1x - Acro Bar (9200130) Green

(2) 2756

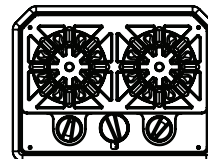
Siding Assembly 1 1/4 x 19-15/16 x 39-3/16" (32 x 506 x 995mm) 37632756



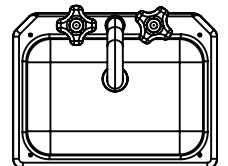
1x - Deluxe Kitchen Set (3320969)



1x - Utensil Shelf



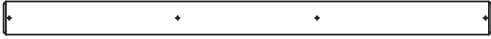
1x - Deluxe Stove Assembly



1x - Deep Sink, Faucet, Knobs

Part Identification

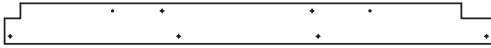
(1) **2686** - Counter Front 5/8 x 2-3/4 x 40-5/8" **3632686**



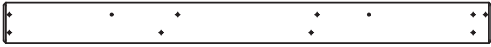
(2) **2716** - Counter Mid Top 1 x 4 x 17-5/8" **3632716**



(1) **2685** - Counter Top 1 x 4 x 40-5/8" **3632685**



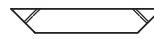
(1) **2687** - Counter Back 1 x 4 40-5/8" **3632687**



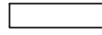
(2) **0455** - Counter Side 5/8 x 2 x 6-3/4" **38045536**



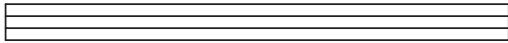
(2) **0461** - 1 x 2 x 12-9/16" - Counter Brace **38046136**



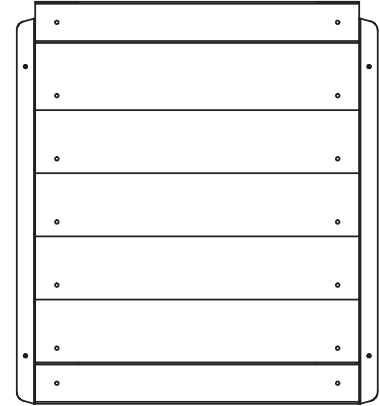
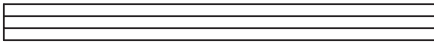
(4) **0457** - 1 x 2 x 8-1/4" - Counter Joist **38045736**



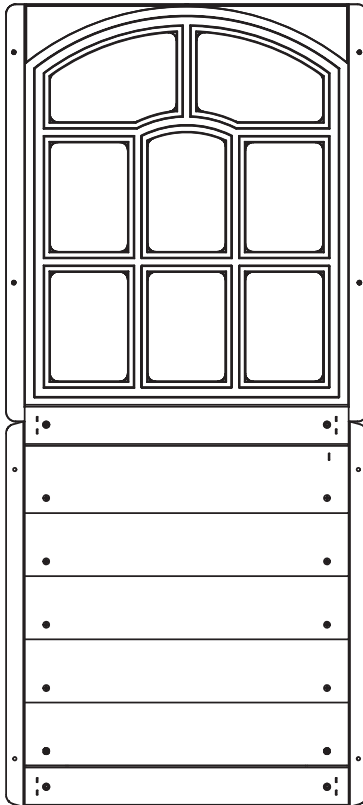
(1) **2601** - 1-1/4 x 3 x 41-15/16" Lower Jamb **3632601**



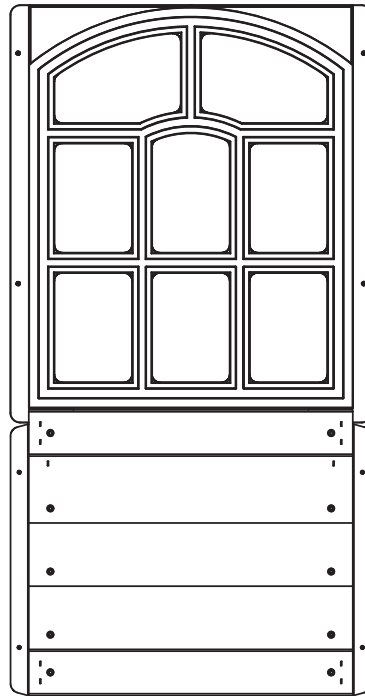
(1) **2602** - 1-1/4 x 3 x 35-15/16" Upper Jamb **3632602**



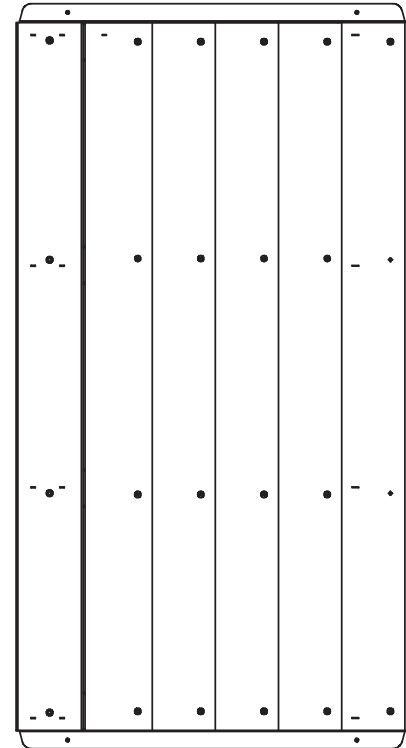
(1) **649A** Short Half Wall
1.27 x 18.8 x 20-15/16" (32 x 477 x 532mm)
37632649A



(1) **2720**
Lower Window Insert 1.27 x 18.8 x 41.91"
37632720



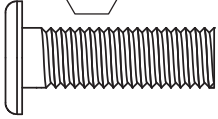
(2) **2719**
Upper Window Insert 1.27 x 18.8 x 35.86"
(32 x 478 x 911mm) **37632719**



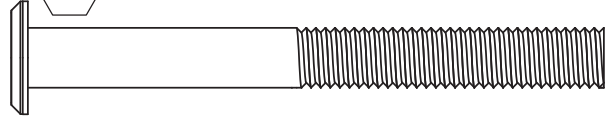
(1) **2665** Half Wall Insert 1.4 x 20-1/4 x 38.8"
(35 x 514 x 985mm) **37632665**

Hardware (Actual Size)

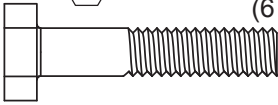
2pc. **WB1** - Wafer Bolt 5/16 x 1" - (53613310)
(8 x 25mm)



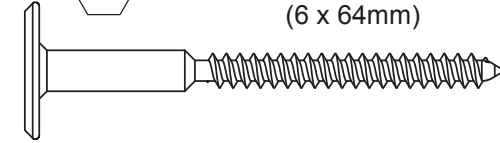
3pc. **WB7** - Wafer Bolt 5/16 x 3" (8 x 76mm) - (53613330)



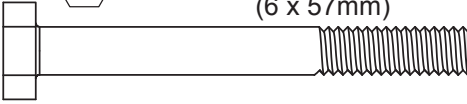
24pc. **H9** - Hex Bolt 1/4 x 1-1/4" - (53703211)
(6 x 32mm)



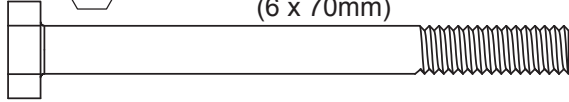
16pc. **WL5** - Wafer Lag 1/4 x 2-1/2" - (52613222)
(6 x 64mm)



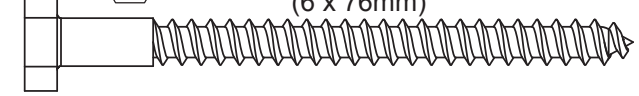
4pc. **H10** - Hex Bolt 1/4 x 2-1/4" - (53703221)
(6 x 57mm)



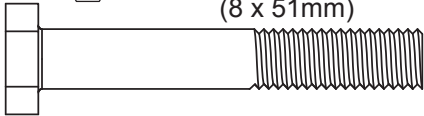
4pc. **H11** - Hex Bolt 1/4 x 2-3/4" - (53703223)
(6 x 70mm)



2pc. **LS3** - Lag Screw 1/4 x 3" - (52213230)
(6 x 76mm)



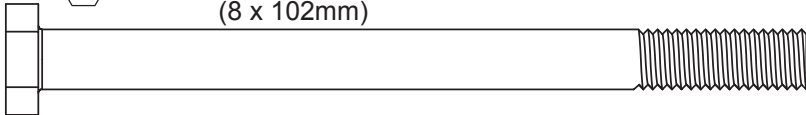
4pc. **G8** - Hex Bolt 5/16 x 2" - (53703320)
(8 x 51mm)



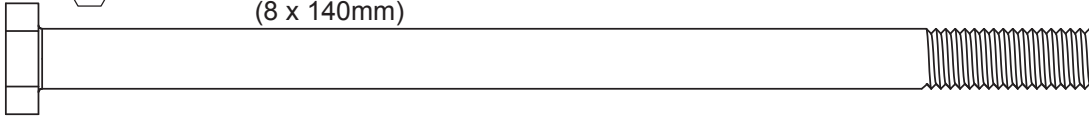
7pc. **G21** - Hex Bolt 5/16 x 3-3/4" - (53703333)
(8 x 95mm)



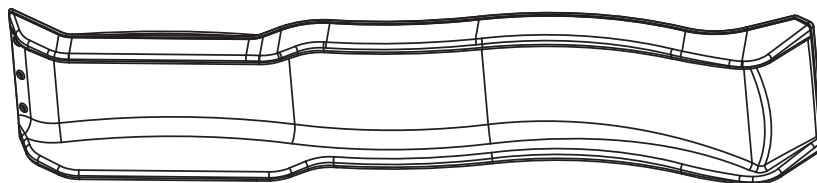
3pc. **G4** - Hex Bolt 5/16 x 4" - (53703340)
(8 x 102mm)



14pc. **G7** - Hex Bolt 5/16 x 5-1/2" - (53703352)
(8 x 140mm)



48" High Rail Slide -7310848-1

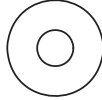


Hardware (Actual Size)

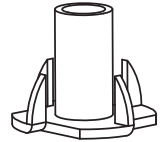
5pc. **LW2** - 5/16" (8mm) Lock Washer -
(51303300)



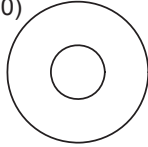
5pc. **FW0** - 3/16" (5mm) Flat Washer -
(51103100)



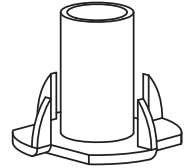
32pc. **TN1** - 1/4" (6mm) T - Nut
(54503200)



50pc. **FW1** - 1/4"(6mm) Flat Washer -
(51103200)



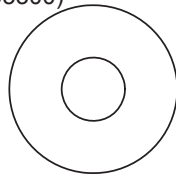
10pc. **TN2** - 5/16" (8mm) T- Nut
(54503300)



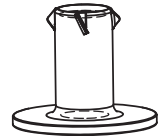
37pc. **LW1** - 1/4"(6mm) Lock Washer -
(51303200)



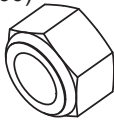
56pc. **FW2** - 5/16" (8mm) Flat
Washer - (51103300)



5pc. **BN1** - 1/4" (6mm) Barrel Nut
(54803200)



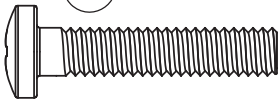
23pc. **LN2** - 5/16"(8mm) Lock Nut
(54303300)



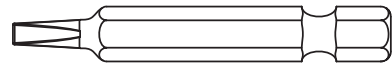
1pc. 1/8 x 3" Drill Bit - 9300183



5pc. **PB2** - Pan Bolt 1/4 x 1-1/4" (53433212)



1pc. **D4** - 2 x 2 Robertson Driver Bit (9200014)



8pc. **S13** - Pan Screw #6 x 5/8" - (52413908)



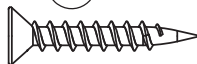
71pc. **S0** - Truss Screw #8 x 7/8" - (52933505)



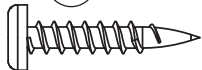
20pc. **TS** - Trim Screw #6 x 30mm - (52953911)



4pc. **S18** - Wood Screw #6 x 1" - (52013910)



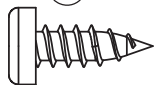
8pc. **S10** - Pan Screw #8 x 1"
(52433510)



56pc. **S30** - Wood Screw #8 x 1-1/16" - (52043517)



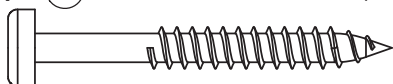
16pc. **S8** - Pan Screw #12 x 3/4"
(52433603)



58pc. **S20** - Wood Screw #8 x 1-3/8" - (52043516)



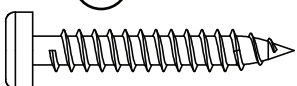
9pc. **S7** - Pan Screw #12 x 2" - (52433620)



4pc. **S11** - Wood Screw #8 x 2" - (52043520)



28pc. **S42** - Pan Screw #12 x 1-1/2" - (52433621)



12pc. **S3** - Wood Screw #8 x 2-1/2" - (52043522)

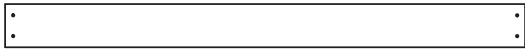


4pc. **S4** - Wood Screw #8 x 3" - (52043530)



Part Identification

1pc. - **[2648]** - 1 x 4 x 40-5/8" (16 x 86 x 1032mm) - Floor Board **3632648**



8pc. - **[2609]** - 1 x 5 x 40-5/8" (16 x 114 x 1032mm) - Floor Board **3632609**



2pc. - **[2780]** - 1 x 6 x 19" (16 x 137 x 483mm)
RK Board A **3632780**



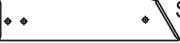
2pc. - **[2779]** - 1 x 6 x 19" (16 x 137 x 483mm)
Access Board **3632779**



3pc. - **[2781]** - 1 x 6 x 19" (16 x 137 x 483mm)
RK Board B **3632781**



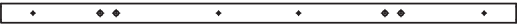
2pc. - **[2778]** - 5/4 x 4 x 14 1/4" (25 x 89 x 362)
SW Ground MOD **3632778**



1pc. - **[2616]** - 5/4 x 4 x 46-1/2" (25 x 89 x 1181mm) SW Support **3632616**



2pc. - **[2777]** - 2 x 2 x 40-1/4" (38 x 38 x 1022mm) - Side Joist MOD **3632777**



2pc. - **[2607]** - 1-1/4 x 3 x 22" (32 x 76 x 559mm) - Diagonal **3632607**



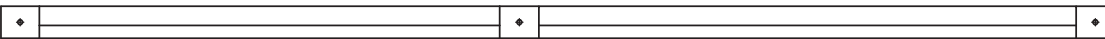
2pc. - **[2776]** - Rock Rail 1 1/4 x 2 1/2 x 51" (32 x 64 x 1295mm) **3632776**



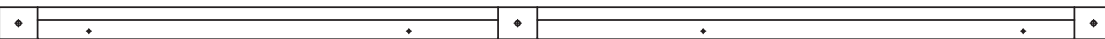
1pc. - **[2608]** - 1-1/4 x 3 x 40-3/4" (32 x 76 x 1035mm) - Floor Joist **3632608**



3pc. - **[2770]** - End Post Left 1 1/4 x 2 1/2 x 87" (32 x 64 x 2210mm) **3632770**



3pc. - **[2771]** - End Post 1 1/4 x 2 1/2 x 87" (32 x 64 x 2210mm) **3632771**



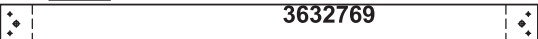
2pc. - **[2772]** - Panel Floor Support 1 1/4 x 3 x 42" (32 x 76 x 1067mm)



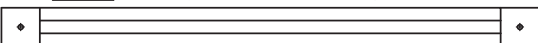
2pc. **[2775]** Panel Cross Support 1 1/4 x 3 x 42" (32 x 76 x 1067mm) **3632775**



5pc. - **[2769]** - Panel BT Frame 1 1/4 x 3 x 42" (32 x 76 x 1067mm)



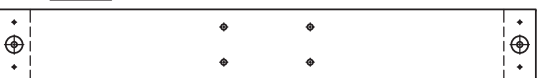
2pc. - **[2774]** - Upright 1 1/4 x 3 x 42" (32 x 76 x 1067mm) **3632774**



2pc. - **[2768]** - Panel Floor 1 1/4 x 3 x 42" (32 x 76 x 1067mm) **3632768**



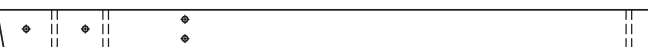
1pc. - **[2630]** - SW Top 1 1/4 x 5 1/2 x 42" (32 x 140 x 1067mm) **39632630**



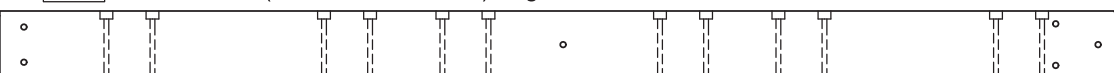
2pc. - **[2613]** - 2 x 3 x 86-11/16" (51 x 76 x 2202mm) - Heavy SW Post **3632613**



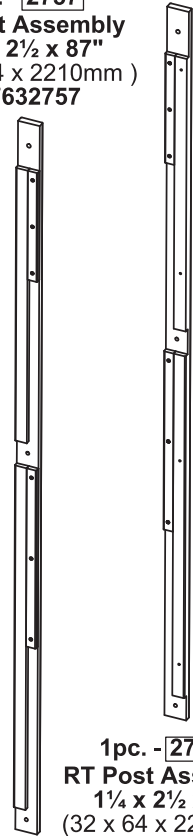
1pc. - **[2615]** - 4 x 4 x 50-15/16" - (76 x 76 x 1294mm) SW Upright **3632615**



1pc. - **[2614]** - 4 x 6 x 88" - (76 x 133 x 2235mm) Engineered Beam **3632614**



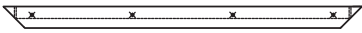
1pc. - **[2757]**
LT Post Assembly
1 1/4 x 2 1/2 x 87"
(32 x 64 x 2210mm)
37632757



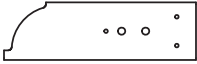
1pc. - **[2758]**
RT Post Assembly
1 1/4 x 2 1/2 x 87"
(32 x 64 x 2210mm)
37632758

Part Identification

(4) **2760** Roof Support 1 1/4 x 2 1/4 x 37 1/2" **3632760**



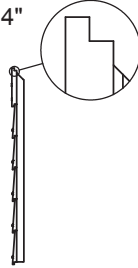
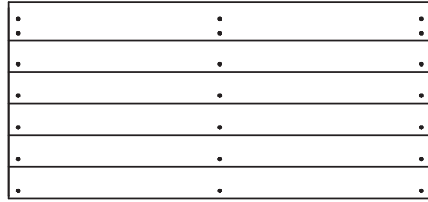
(4) **2759** Roof End 1-1/4 x 3 x 10" (32 x 76 x 254mm) **3632759**



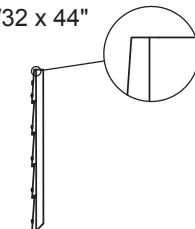
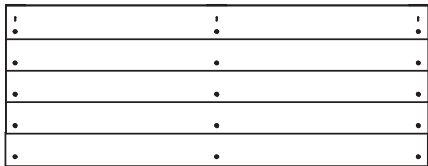
(2) **2761** - Roof Sleeper C 3/4 x 2 x 35" (19 x 51 x 889mm) **3632761**



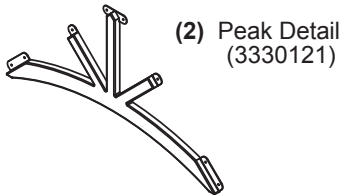
(1) **2752** - MOD Roof Front 1 1/4 x 20-7/16 x 44" **37632752**



(2) **2751** - MOD Roof Bottom 1-3/16 x 16 25/32 x 44" **37632751**

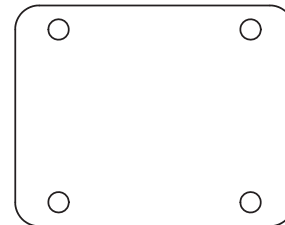


(1) **2601** - 1-1/4 x 3 x 41-15/16" Lower Jamb **3632601**



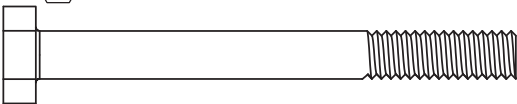
(2) Peak Detail (3330121)

(1) Narrow Angle Bracket (3 Pk) (3200640)



(2) Jamb Mount (9206300)

(4) **H3** - Hex Bolt 1/4 x 2-1/2" - **53703222**



(8) **S20** - Wood Screw #8 x 1-3/8" - **52043516**



(27) **S11** - Wood Screw #8 x 2" - **52043520**



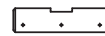
(8) **S3** - Wood Screw #8 x 2-1/2" - **52043522**



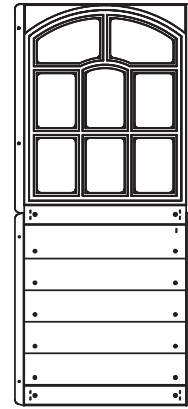
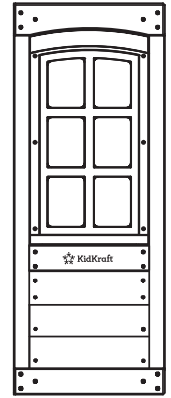
(16) **S13** - Pan Screw #6 x 5/8" - **52413908**



(1) **2715** - 5/4 x 3 x 10" - Door Stop **3632715**



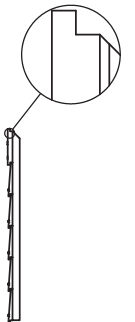
(1) **9509** Door Window Panel 1 1/4 x 15 3/4 x 40 3/4 **37589509**



(1) **2720**

Lower Window Insert 1.27 x 18.8 x 41.91" **37632720**

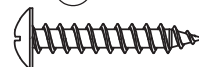
(1) **2753** - MOD Roof Back 1 1/4 x 20-13/64 x 44" **37632753**



1x - Door Hardware (3201710)

- 2x 9201712 Door Hinge
- 9207713 Door Catch
- 1x Magnetic Catch
- 1x Catch Plate
- 2x 9201711 Door Handle

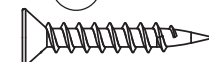
(23) **S0** - Truss Screw #8 x 7/8" - **52933505**



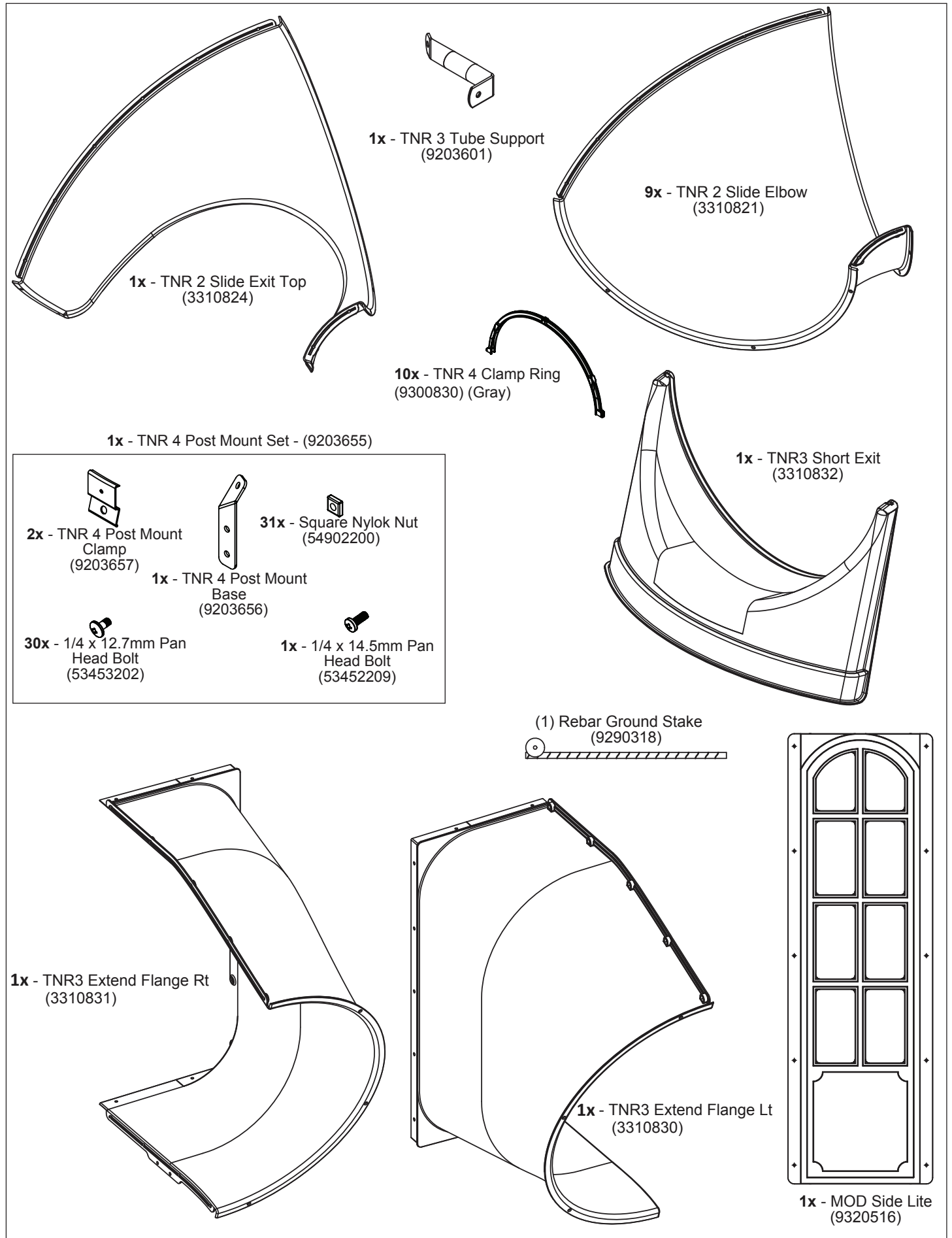
(2) **S4** - Wood Screw #8 x 3" - **52043530**



(4) **S18** - Wood Screw #6 x 1" - **52013910**



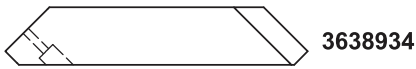
Part Identification (Reduced Part Size)



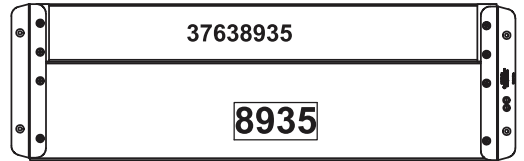
Part Identification (Reduced Part Size)

(1) SL Gusset 1¼ x 3 x 15¾" (32 x 76 x 400mm)

8934



(1) Lower SL Insert 1.36 x 8-1/8 x 26¼" (34 x 206 x 667mm)



(1) TNR Upright 1¼ x 3 x 20¼" (32 x 76 x 514mm)

8965



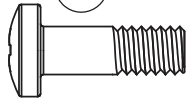
(1) TNR Ground Brace 1¼ x 3 x 32¼" (32 x 76 x 819mm)

8963



Hardware (Actual Size)

54pc. (PB1) - Pan Bolt 1/4 x 3/4" (6 x 19mm)

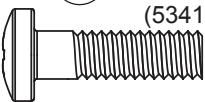


(53453203)



(1) Wafer Lag Screw 1/4 x 2-1/2" (6 x 64mm) (52613222)

11pc. (PB6) - Pan Bolt 1/4 x 1" (6 x 25mm)



(53413210)

1x (D1) - Quadrex Driver Bit (9200015)

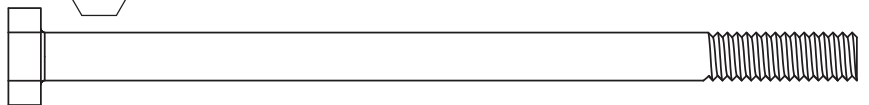
1 x (S37) - #7 x 5/8" - 52433009
15.9mm



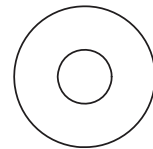
8pc. (FW6) - #12 Screw Bezel - (9299500)



1pc. (H8) Hex Bolt 1/4 x 4¼" (6 x 108mm)- (53703241)



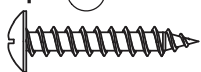
3pc. (FW1) - 1/4" (6mm) Flat Washer (51103200)



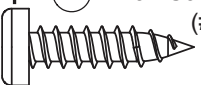
1pc. (LW1) - 1/4" (6mm) Lock Washer (51303200)



18pc. (S0) - Truss Screw #8 x 7/8" (#8 x 22mm) (52933505)



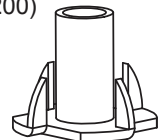
19pc. (S6) - Pan Screw #12 x 1" (#12 x 25mm) (52433610)



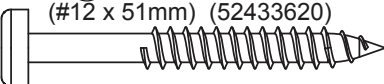
64pc. (LN1) - 1/4" (6mm) Lock Nut (54303200)



1pc. (TN1) - 1/4" (6mm) T - Nut (54503200)



5pc. (S7) - Pan Screw #12 x 2" (#12 x 51mm) (52433620)



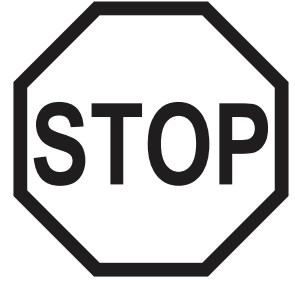
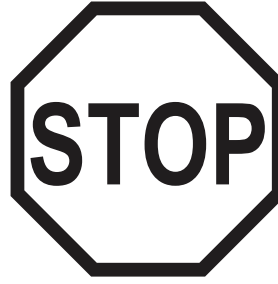
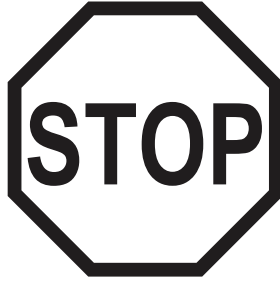
1pc. (S4) - Wood Screw #8 x 3" (#8 x 76mm) (52043530)



3pc. (S11) - Wood Screw #8 x 2" (#8 x 51mm)(52043520)

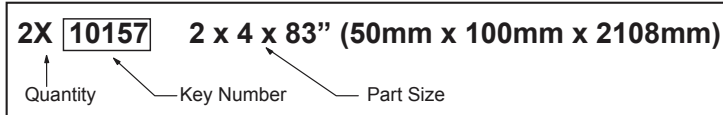


1 Inventory Parts - Read This Before Starting Assembly



Inventory should be completed before starting installation. KidKraft will not cover costs of any additional installation trip due to missing or damaged pieces.

- A. Referencing the parts identification sheets, inventory all hardware, wood and accessories. This will assist you with your assembly.
- The wood pieces will have the key number stamped on the ends of the boards. Organize the wood pieces by step, as per the key numbering system below.



- B. Read the assembly manual completely, paying special attention to EN71 and ASTM warnings, notes and safety/maintenance information on pages 1 - 8.

**If there are missing or damaged pieces,
please contact the KidKraft Consumer Engagement Team
before going back to the retailer.**

Request Replacement Parts 24/7

You can request replacement parts for this product 24 hours a day / 7 days a week:

Outdoor Swing Set and Playhouse Parts Ordering

<https://parts.kidkraft.com/partsorderemail>

If you have assembly or product questions, please refer to the front cover for direct contact information for our Consumer Engagement Team OR you can also use this QR code with your smartphone for common questions and contact information.



KidKraft Help Center <https://kidkraft.zendesk.com/hc/en-us/>

Step 1: Front and Back Wall Prep Part 1



It is important to assemble the frame on a flat, smooth surface.

A: Place (2771) End Post and (2770) End Post Left side by side with the grooves facing up and in. Put (2770) End Post Left on the right hand side. Place (2775) Panel Cross Support in the top grooves, (2772) Panel Floor Support in the middle grooves and (2769) Panel BT Frame in the bottom grooves. (fig. 1.1).

B: Tap 3 (TN1) T-nuts in (2775) Panel Cross Support and (2772) Panel Floor Support and 2 in (2769) Panel BT Frame. (fig. 1.1 and 1.2)

C: Make sure assembly is square and bolt holes are aligned, then attach with 4 (S30) Wood Screws per board. (fig. 1.1)

Fig. 1.1

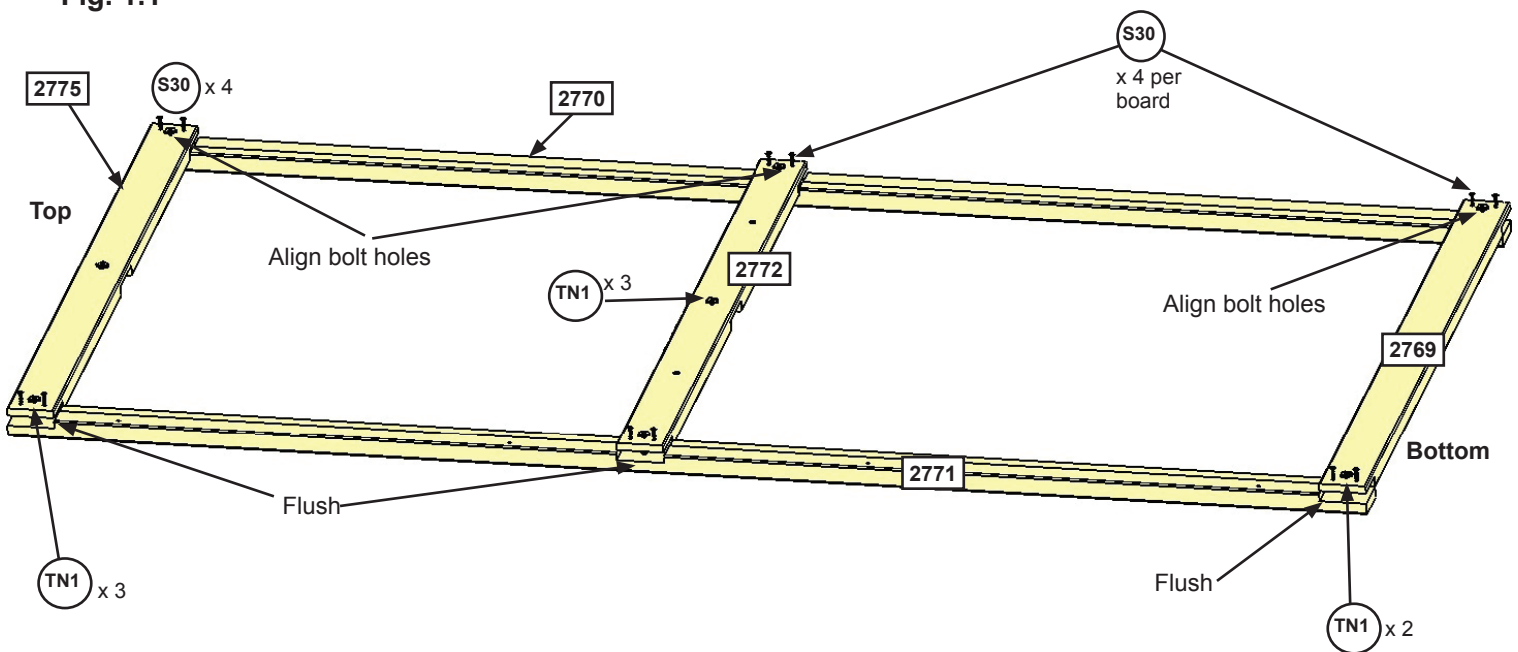
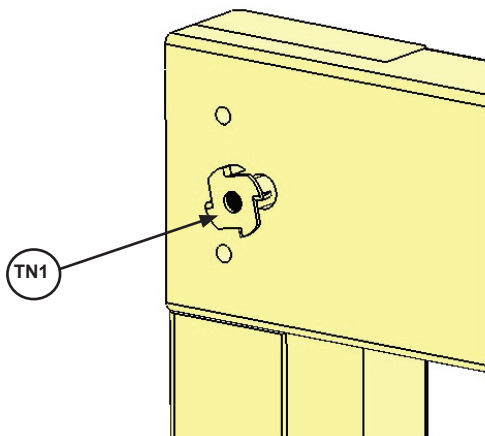


Fig. 1.2



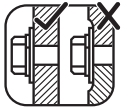
Wood Parts

2 x		End Post
2 x		End Post Left
2 x		Panel Cross Support
2 x		Panel Floor Support
2 x		Panel BT Frame

Hardware

24 x		Wood Screw
16 x		T-nut

Step 1: Front and Back Wall Prep Part 2



It is important to assemble the frame on a flat, smooth surface.

D: Turn the assembly over, place (2774) Upright in the middle grooves of (2775) Panel Cross Support and (2772) Panel Floor Support then attach all boards with 8 (H9) Hex Bolts (with lock washer and flat washer) connecting to the previously installed t-nuts. (fig. 1.3 and 1.4)

E: Repeat steps A-D for a second assembly.

Fig. 1.3

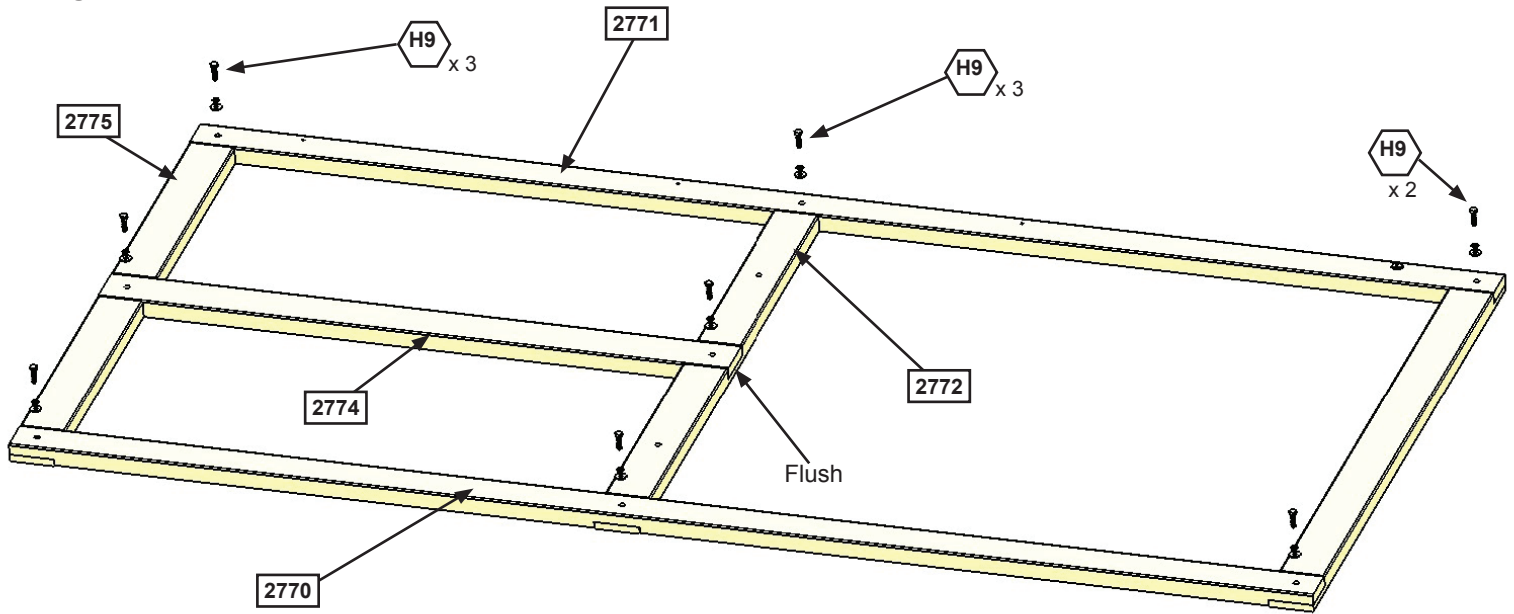
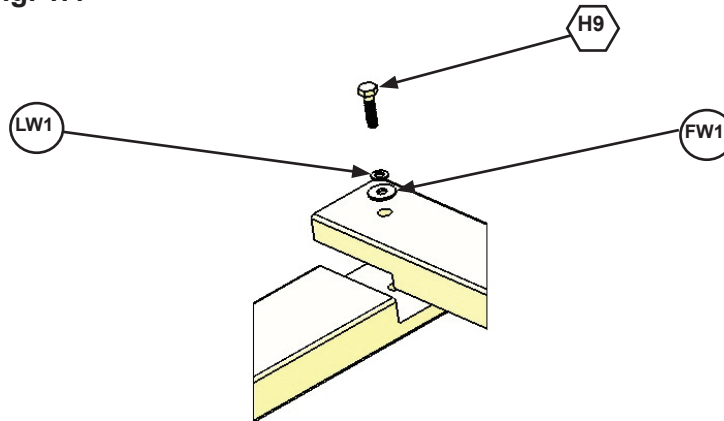


Fig. 1.4



Wood Parts

2 x 2774 Upright

Hardware

16 x H9 Hex Bolt
(lock washer & flat washer)

Step 2: End Wall Prep Part 1



It is important to assemble the frame on a flat, smooth surface.

A: Place (2768) Panel Floor and 2 (2769) Panel BT Frames on a hard, flat surface with the long side up. Tap in 2 (TN1) T-nuts per board. (fig. 2.1)

B: Place (2771) End Post and (2770) End Post Left side by side with the grooves facing up and in. (2770) End Post Left on the right hand side. Place (2769) Panel BT Frames in the top and bottom grooves (2768) Panel Floor in the middle grooves. (fig. 2.2).

C: Make sure assembly is square and bolt holes are aligned, then attach with 4 (S30) Wood Screws per board. (fig. 2.2)

Fig. 2.1

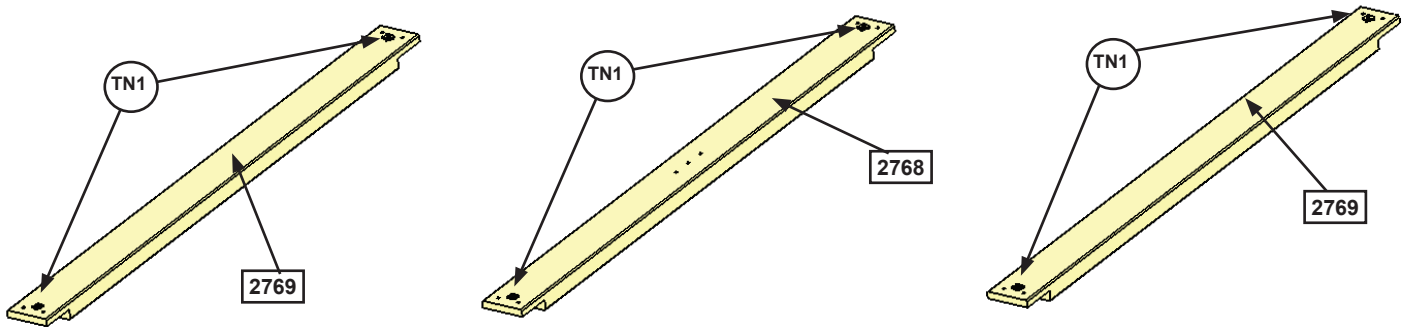
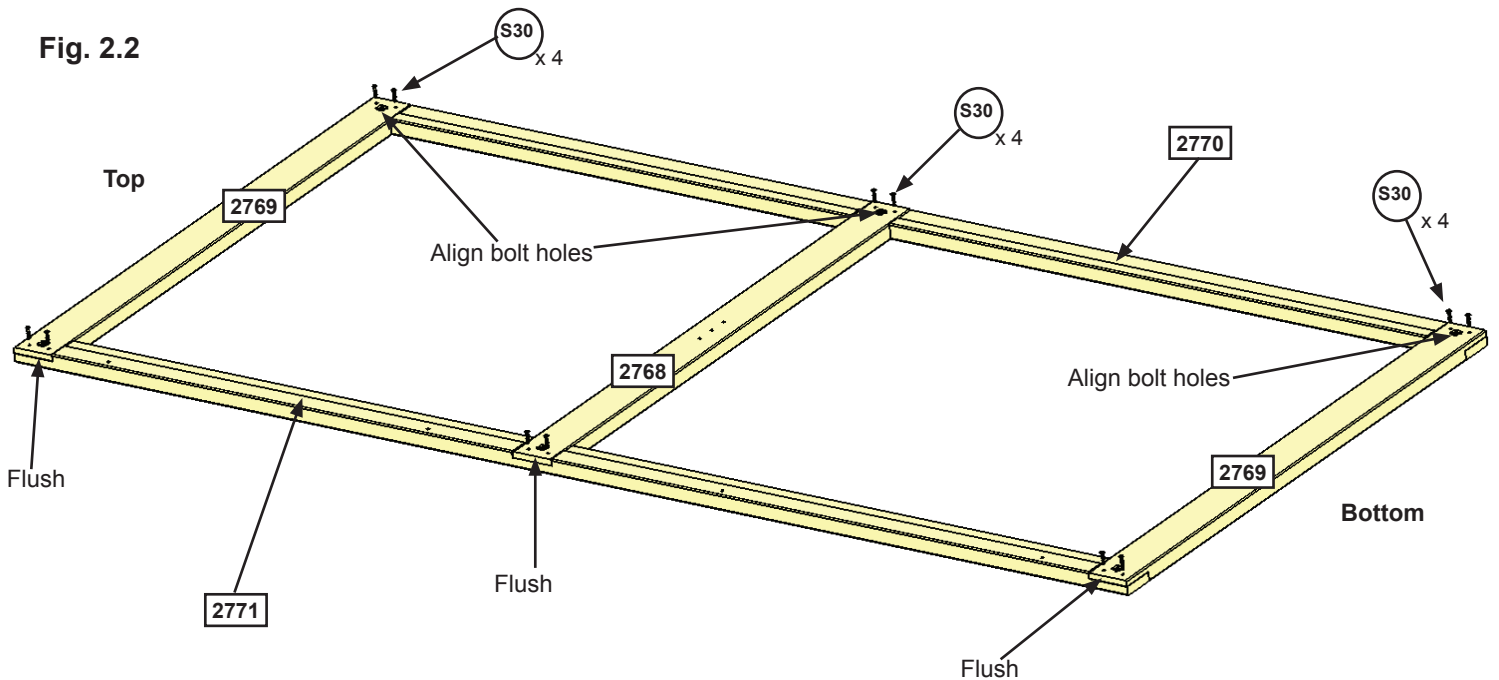


Fig. 2.2



Wood Parts

- 1 x 2768 Panel Floor
- 2 x 2769 Panel BT Frame
- 1 x 2771 End Post
- 1 x 2770 End Post Left

Hardware

- 12 x S30 Wood Screw
- 6 x TN1 T-nut

Step 2: End Wall Prep Part 2



It is important to assemble the frame on a flat, smooth surface.

D: Turn the assembly over then attach all boards with 6 (H9) Hex Bolts (with lock washer and flat washer) connecting to the previously installed t-nuts. (fig. 2.3 and 2.4)

Fig. 2.3

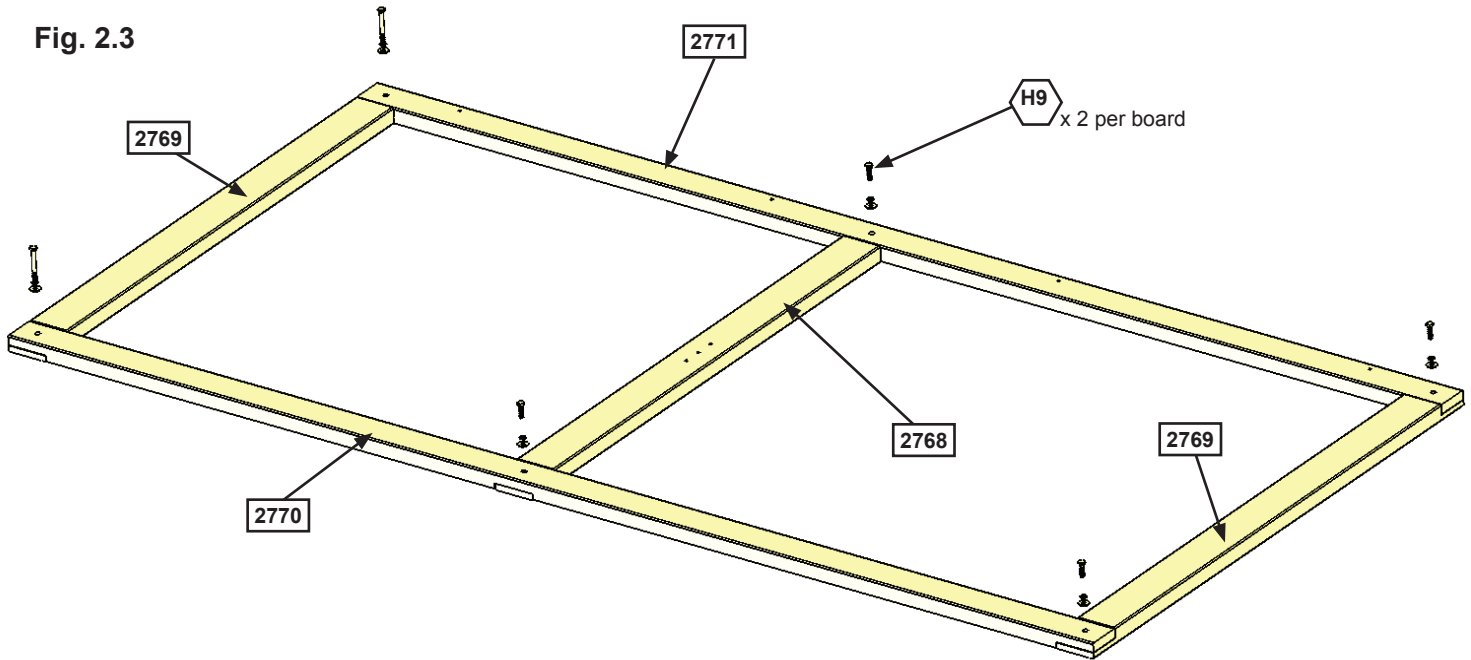
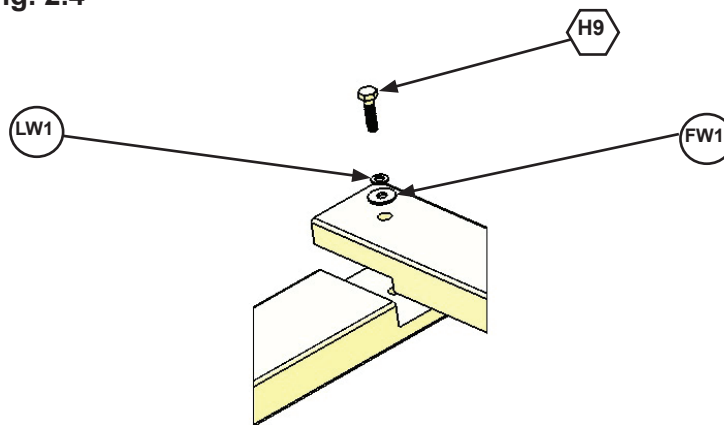


Fig. 2.4



Hardware

6 x  Hex Bolt
(lock washer & flat washer)

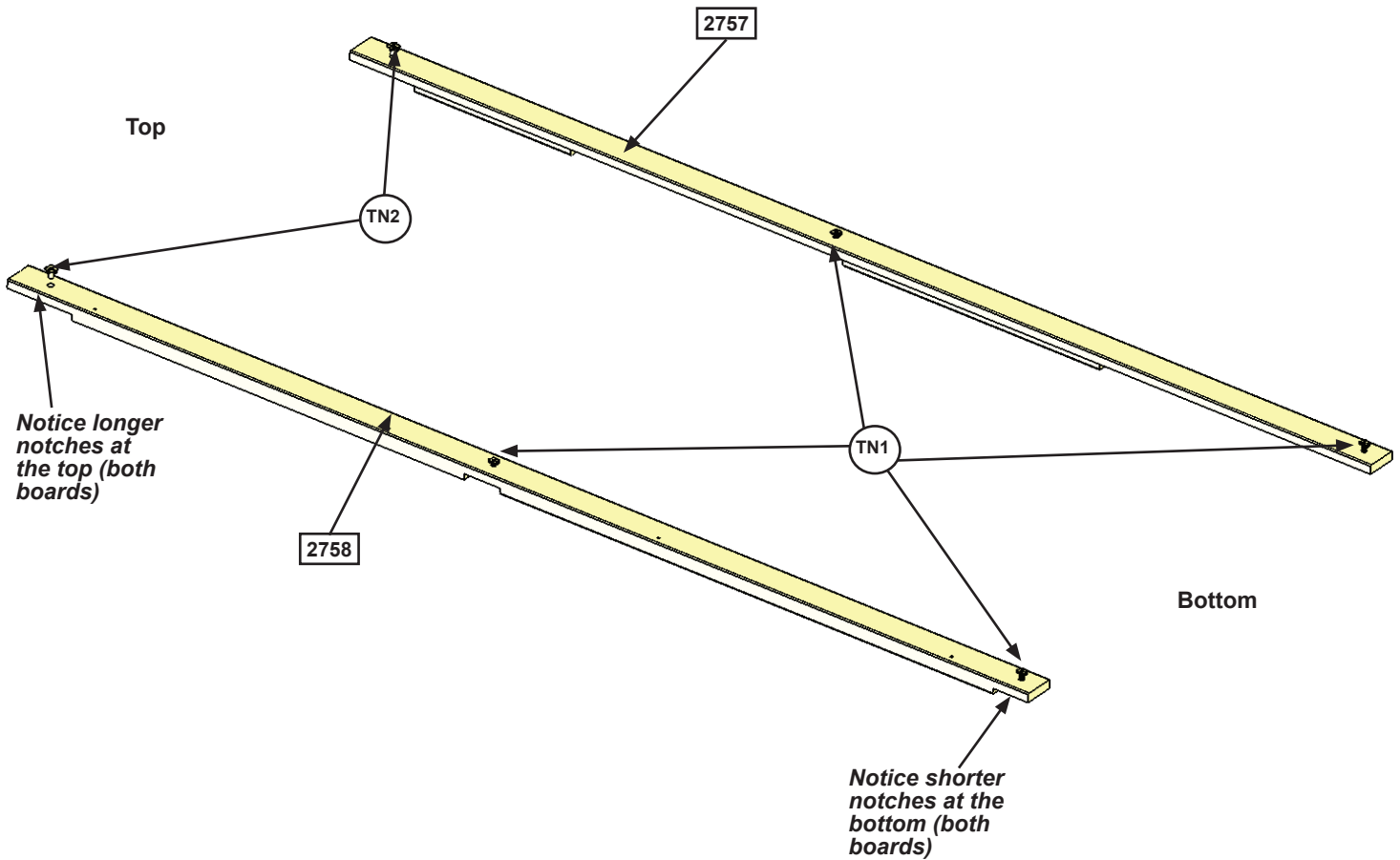
Step 3: Swing Wall Prep Part 1

It is important to assemble the frame on a flat, smooth surface.

A: Place (2757) LT Post Assembly and (2758) RT Post Assembly on a hard, flat surface with the notches facing down. The top of the post assemblies have the longer notches. (fig. 3.1)

B: Tap 1 (TN2) T-nut in the top holes and 1 (TN1) T-nut in the middle and bottom holes. (fig. 3.1).

Fig. 3.1



Wood Parts

- 1 x LT Post Assembly
- 1 x RT Post Assembly

Hardware

- 2 x T-nut
- 4 x T-nut

Step 3: Swing Wall Prep Part 2



It is important to assemble the frame on a flat, smooth surface.

C: Turn the (2757) LT Post Assembly and (2758) RT Post Assembly over and place 2 (2756) Siding Assemblies on top so one sits flush with the top of the middle groove and the second fits flush with the top of the bottom groove. (fig. 3.2 and 3.3)

D: Place (2630) SW Top in the top grooves, (2768) Panel Floor in the middle grooves and (2769) Panel BT Frame in the bottom grooves so they sit flush to the outside edges of (2757) LT Post Assembly and (2758) RT Post Assembly. Make sure the assembly is square and bolt holes are aligned, then attach with 4 (S30) Wood Screws per board. (fig. 3.4).

Fig. 3.2

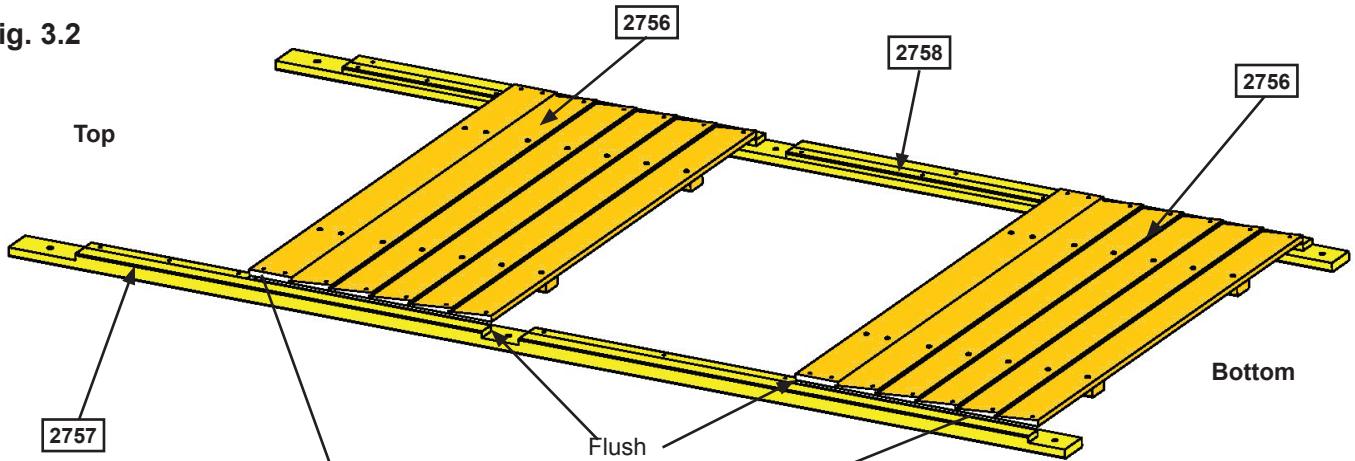
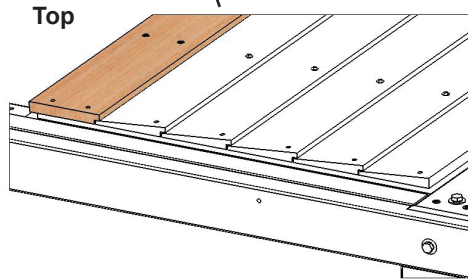
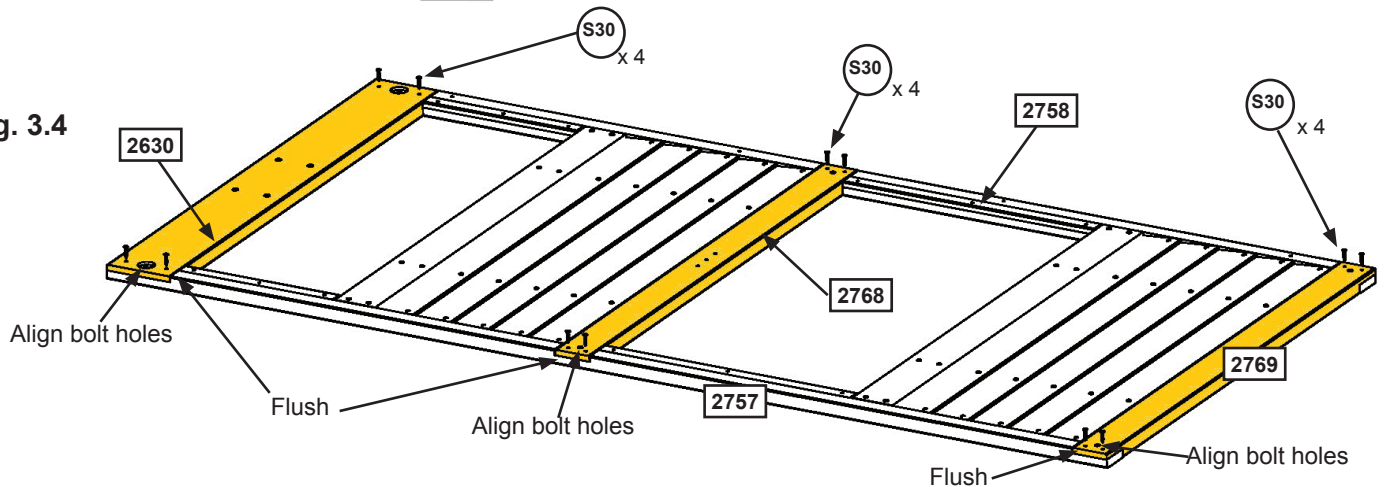


Fig. 3.3



Notice Orientation of both (2756) Siding Assemblies.

Fig. 3.4



Wood Parts

- 2 x 2756 Siding Assembly
- 1 x 2630 SW Top
- 1 x 2768 Panel Floor
- 1 x 2769 Panel BT Frame

Hardware

- 12 x S30 Wood Screw

Step 3: Swing Wall Prep Part 3



It is important to assemble the frame on a flat, smooth surface.

E: Attach (2630) SW Top to (2757) LT Post Assembly and (2758) RT Post Assembly with 2 (WB1) Wafer Bolts (with flat washer) connecting to previously installed t-nuts. (fig. 3.5 and 3.6)

F: Attach (2768) Panel Floor to (2757) LT Post Assembly and (2758) RT Post Assembly with 2 (H9) Hex Bolts (with lock washer and flat washer) connecting to previously installed t-nuts. (fig. 3.5).

G: Place 1 (2778) SW Ground MOD to each side of (2769) Panel BT Frame, notice the hole locations and attach with 1 (H10) Hex Bolt (with lock washer and flat washer) per board connecting to previously installed t-nuts. (fig. 3.5 and 3.7).

H: Place 1 (2607) Diagonal under (2778) SW Ground MOD on the right hand side so the top sits against (2758) RT Post Assembly and loosely attach with 1 (H10) Hex Bolt (with lock washer, flat washer and t-nut). (fig. 3.5 and 3.7).

Fig. 3.5

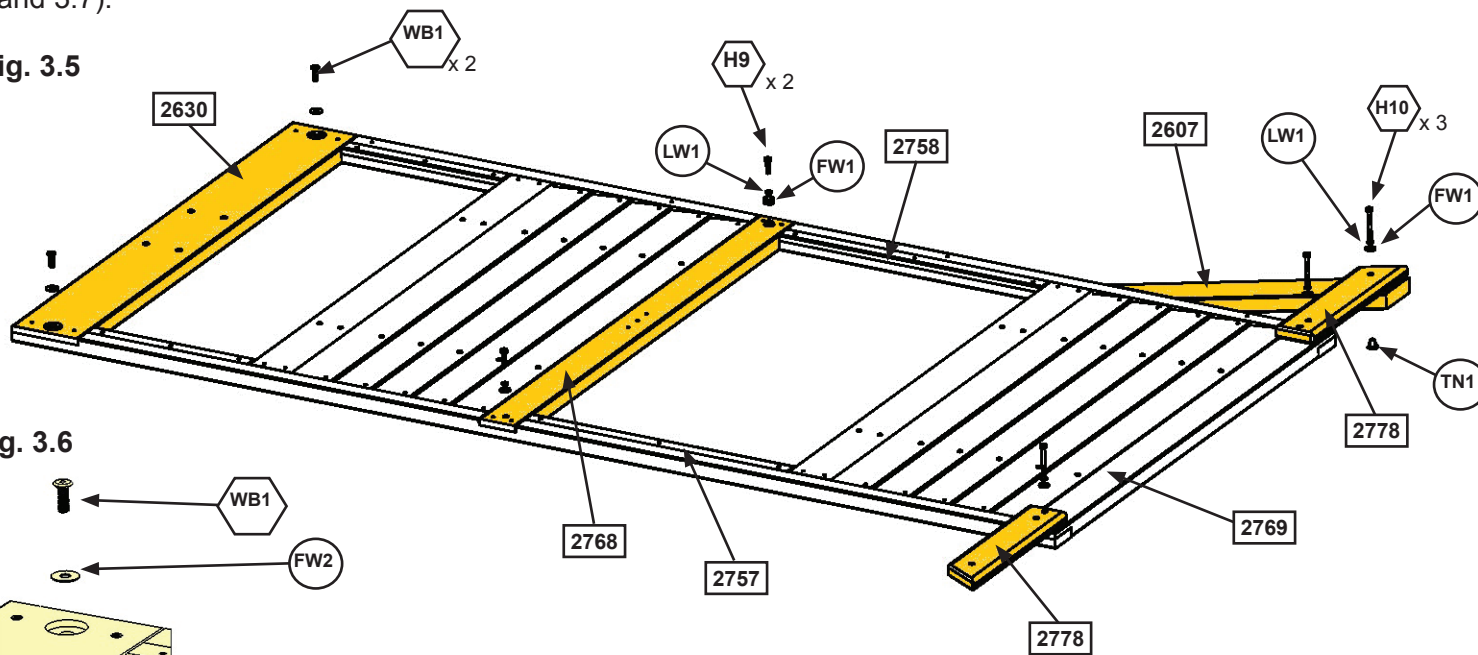


Fig. 3.6

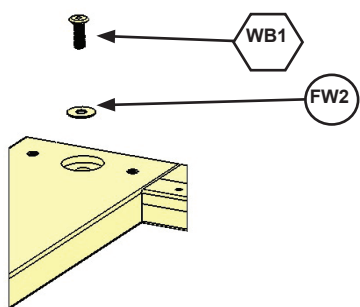
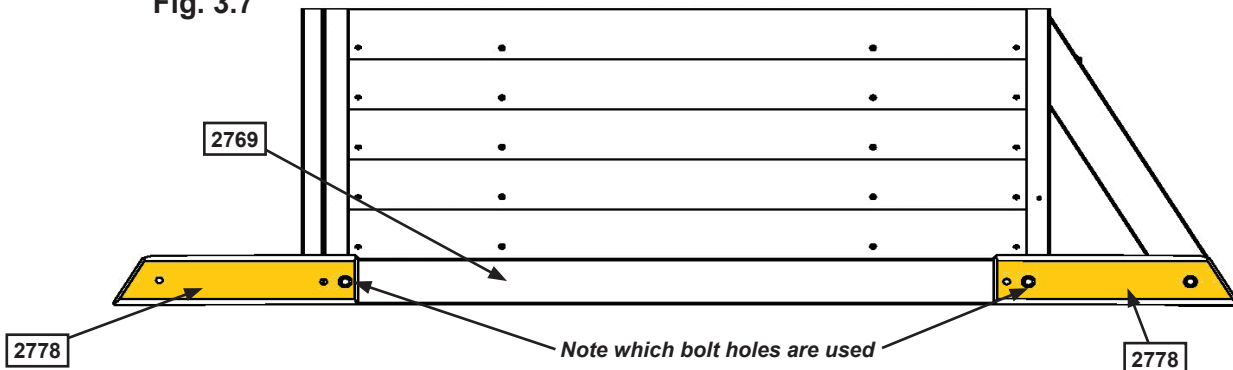


Fig. 3.7



Wood Parts

- 2 x 2778 SW Ground MOD
- 1 x 2607 Diagonal

Hardware

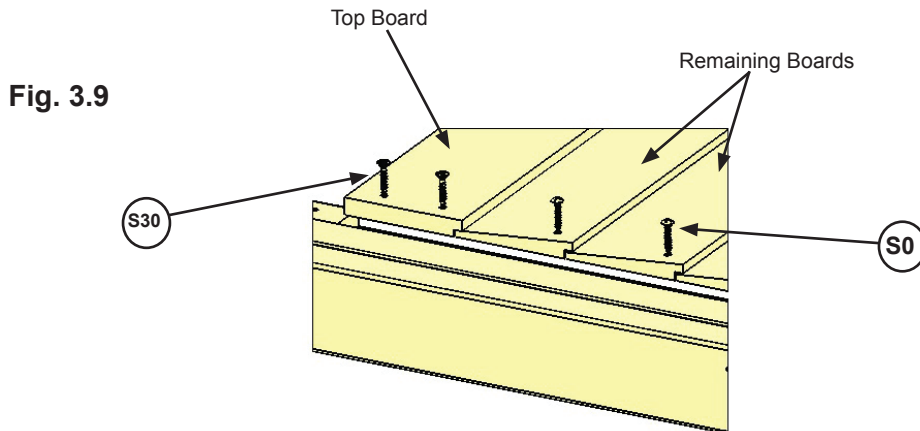
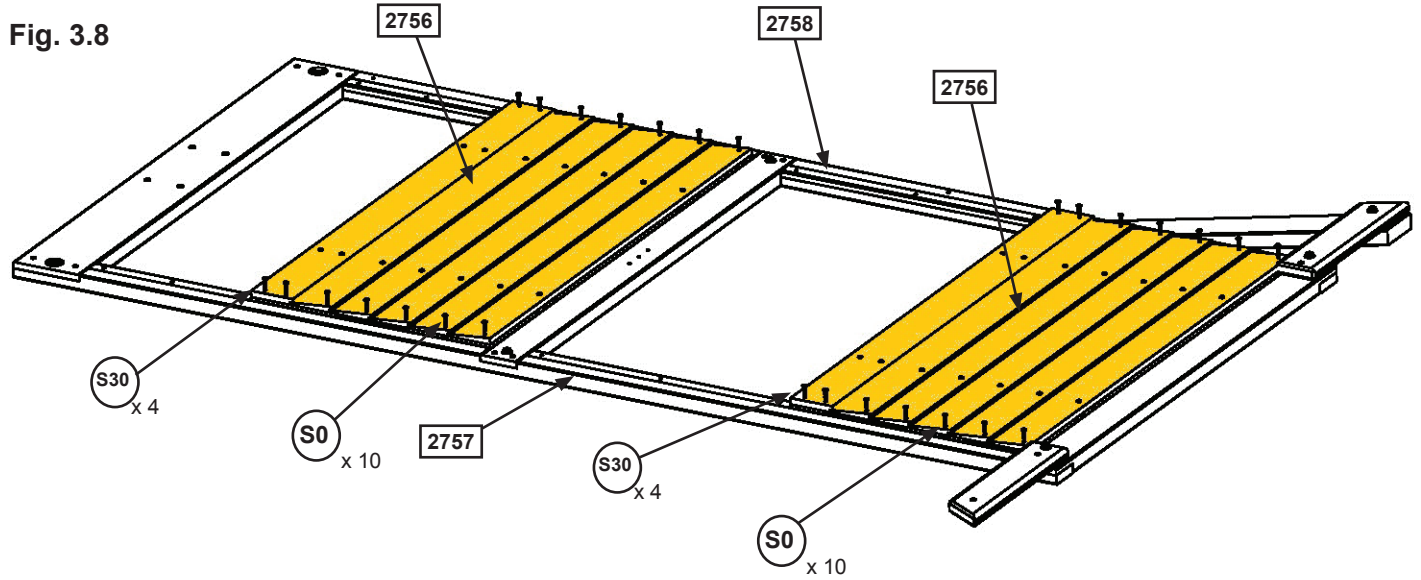
- 2 x WB1 Wafer Bolt (flat washer)
- 2 x H9 Hex Bolt (lock washer, flat washer)
- 3 x H10 Hex Bolt (lock washer, flat washer and 1 t-nut)

Step 3: Swing Wall Prep Part 4

It is important to assemble the frame on a flat, smooth surface.

I: Attach the top board in each (2756) Siding Assembly to (2757) LT Post Assembly and (2758) RT Post Assembly with 4 (S30) Wood Screws per board. (fig. 3.8 and 3.9)

J: Attach the remaining boards in each (2756) Siding Assembly to (2757) LT Post Assembly and (2758) RT Post Assembly with 2 (S0) Truss Screws per board. (fig. 3.8 and 3.9)



Hardware

8 x S30 Wood Screw

20 x S0 Truss Screw

Step 4: Frame Assembly Part 1



It is important to assemble the frame on a flat, smooth surface.

A: Place Swing Wall from Step 3 between 2 Front and Back Walls from Step 1, noticing the wall orientations. The tops and bottoms of the walls should be flush. Make sure the walls are square then using the pilot holes as a guide pre-drill with a 3/16" (4.8 mm) drill bit and fasten the Front Wall to the Swing Wall and Swing Wall to the Back Wall with 4 (WL5) Wafer Lags per side. (fig. 4.1, 4.2 and 4.3)

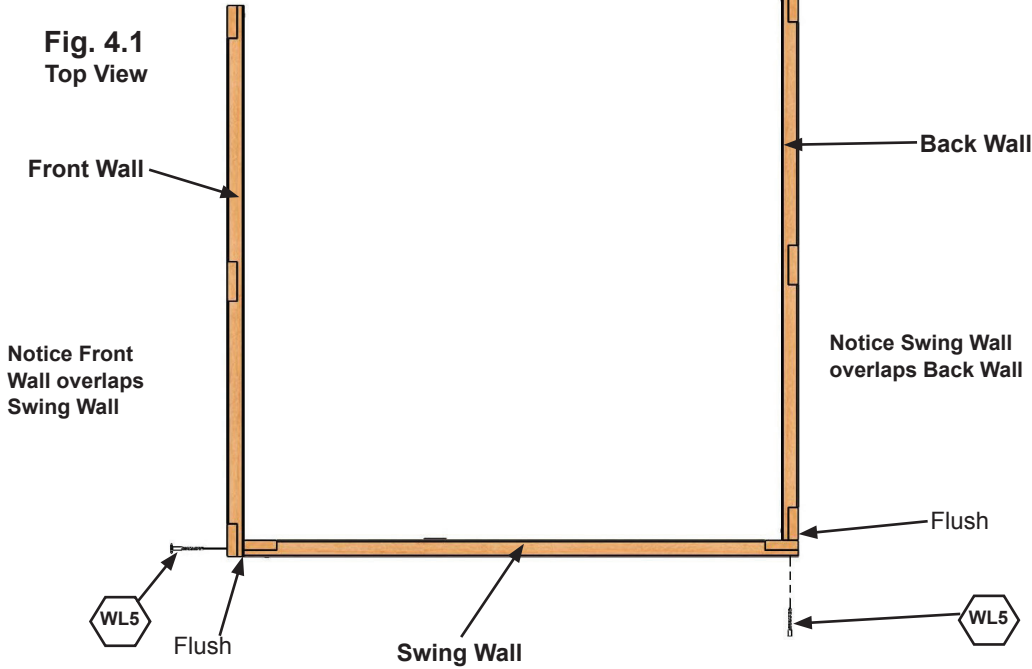
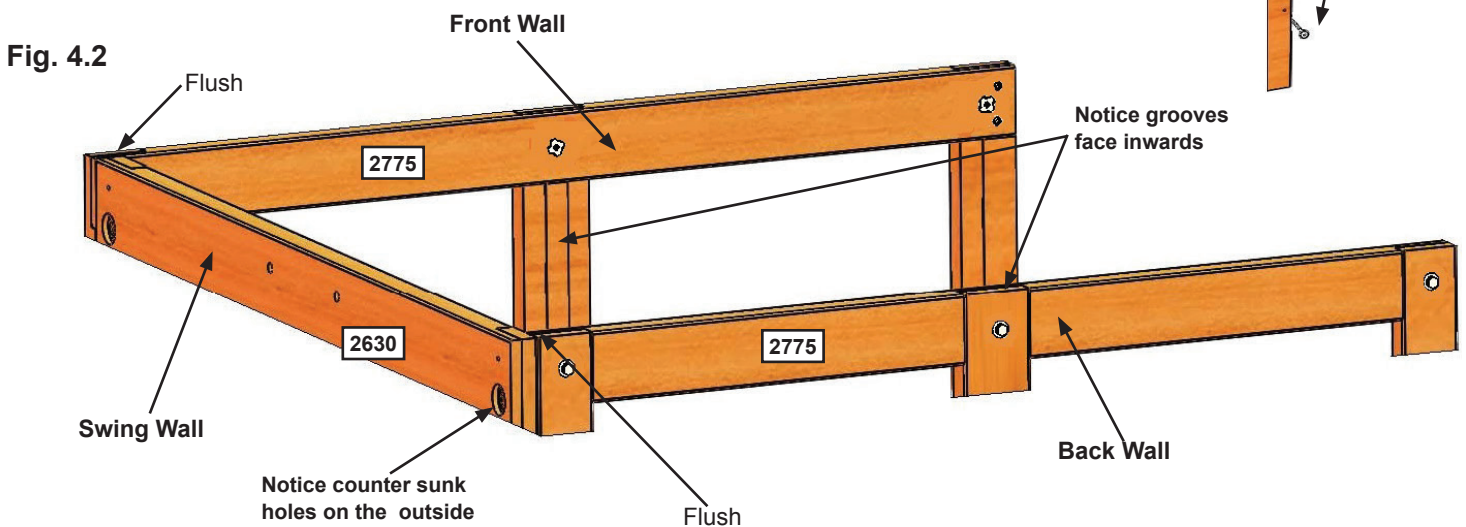
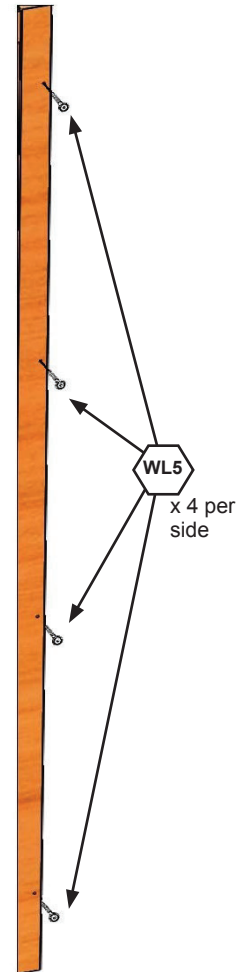


Fig. 4.3



Hardware

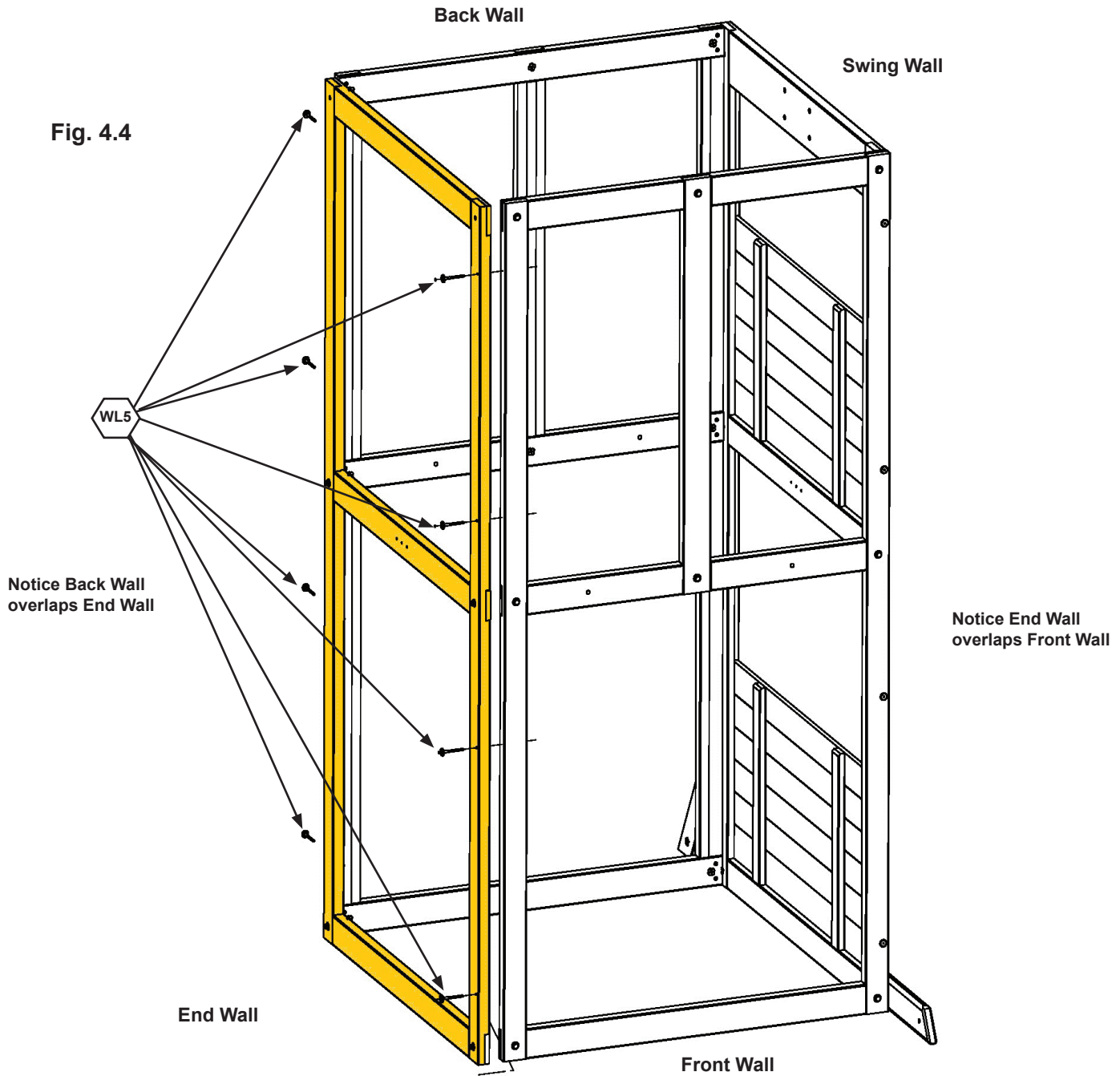
8 x WL5 Wafer Lag

Step 4: Frame Assembly Part 2



B: Place End Wall from Step 2 between the Front Wall and Back Wall noticing the wall orientation. The tops and bottoms of the walls should be flush. Make sure the walls are square then using the pilot holes as a guide pre-drill with a 3/16" (4.8 mm) drill bit and fasten the Back Wall to the End Wall and End Wall to the Front Wall with 4 (WL5) Wafer Lags per side. (fig. 4.4)

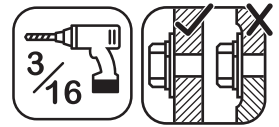
Fig. 4.4



Hardware

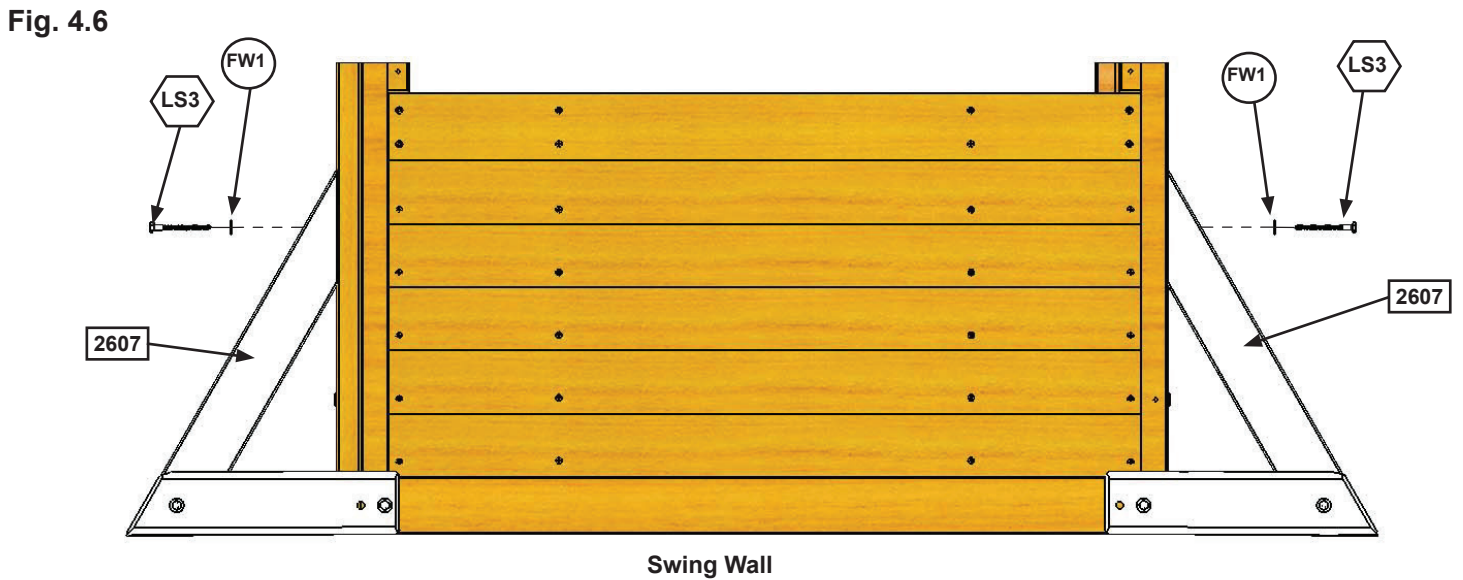
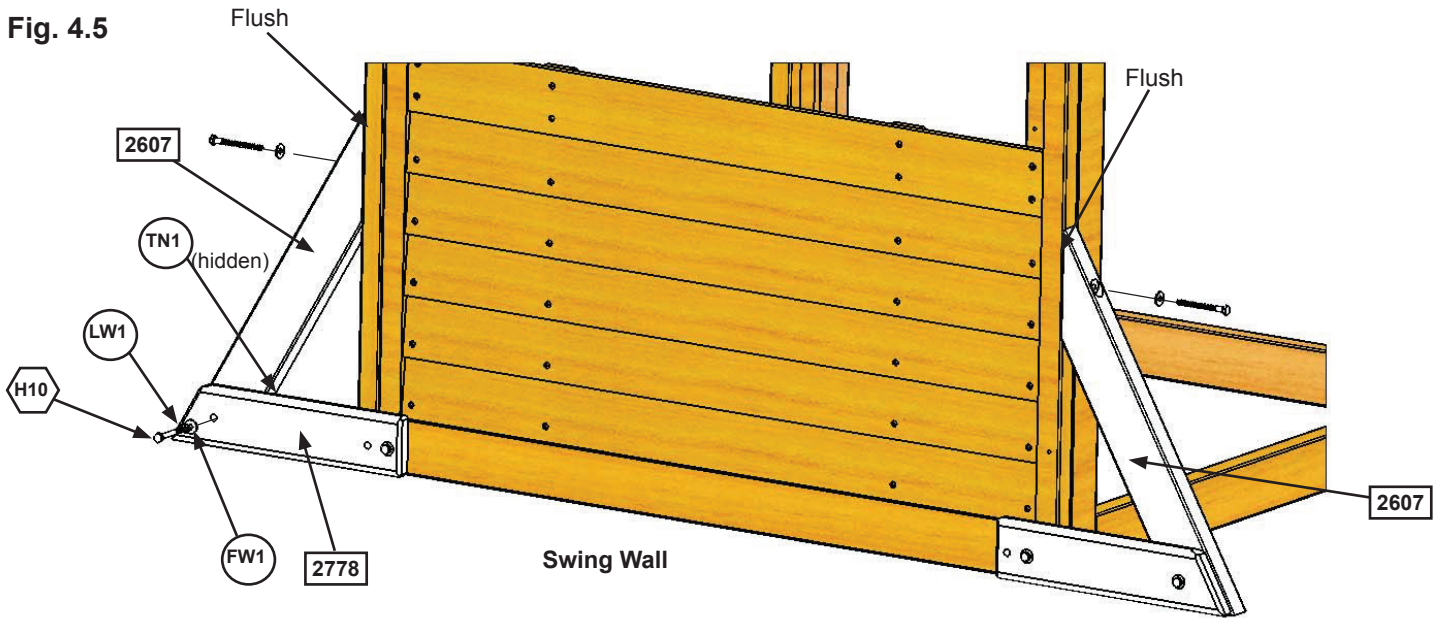
8 x  Wafer Lag

Step 4: Frame Assembly Part 3



C: Loosely attach 1 (2607) Diagonal to left (2778) SW Ground MOD with 1 (H10) Hex Bolt (with lock washer, flat washer and t-nut). (fig. 4.5)

D: Place each (2607) Diagonal tight and flush to the front of the Swing Wall then pre-drill pilot holes with a 3/16" (4.8 mm) drill bit and attach each (2607) Diagonal to the Swing Wall with 1 (LS3) Lag Screw (with flat washer) per board, checking that they remain flush to outside edge. (fig. 4.5 and 4.6)



Wood Parts

1 x **2607** Diagonal

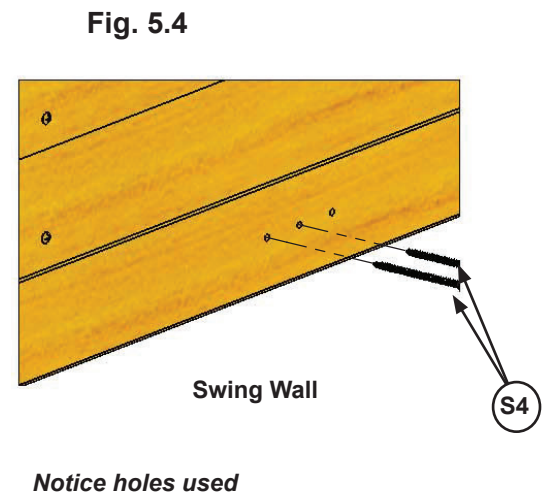
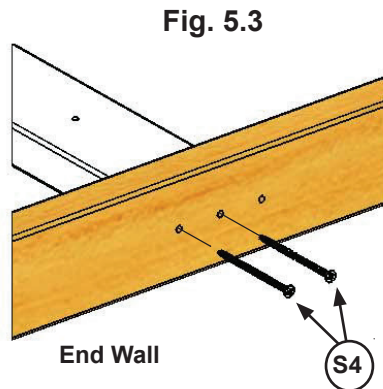
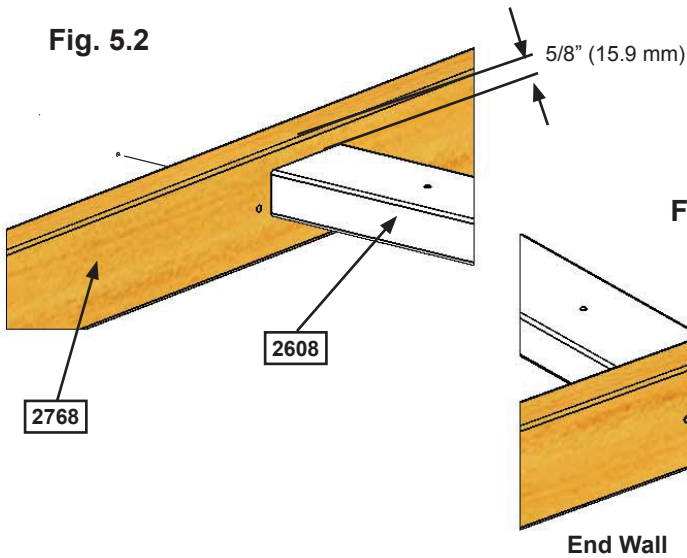
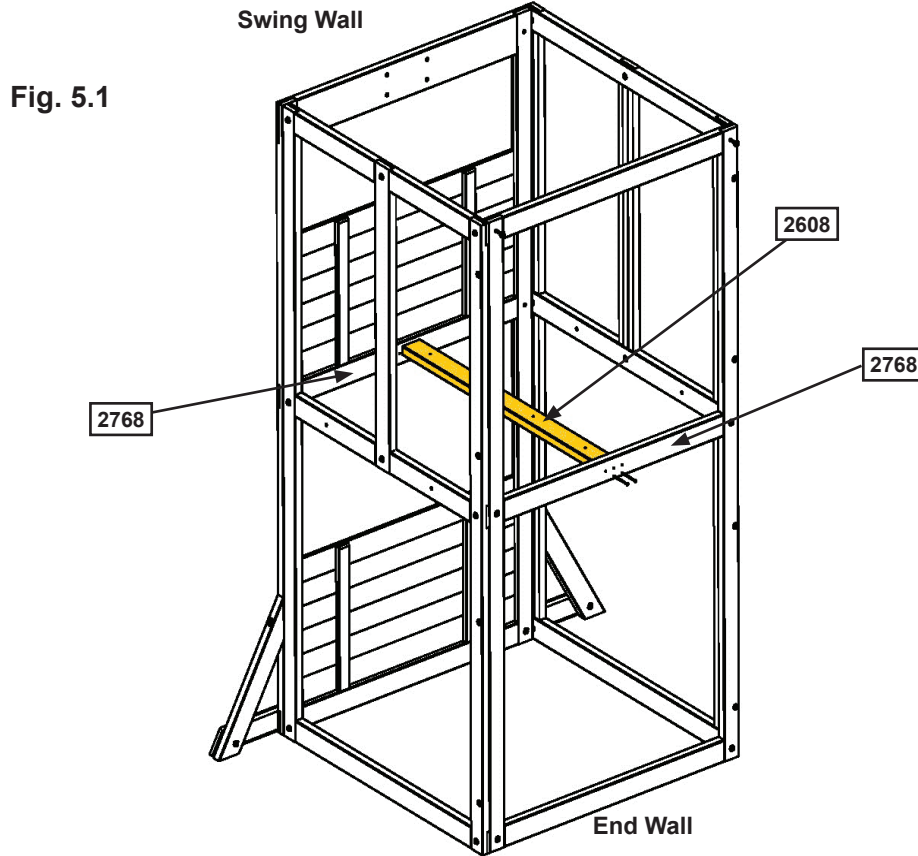
Hardware

1 x **H10** Hex Bolt (lock washer, flat washer, t-nut)
2 x **LS3** Lag Screw (flat washer)

Step 5: Floor Assembly Part 1



A: From inside of the assembly centre (2608) Floor Joist over the pilot holes in both (2768) Panel Floors in the Swing and End Walls, measure 5/8" (15.9 mm) down from the top of boards then attach (2608) Floor Joist to each board using the left and centre holes with 2 (S4) Wood Screws per board. (fig.5.1, 5.2, 5.3 and 5.4)



Wood Parts

1 x 2608 Floor Joist

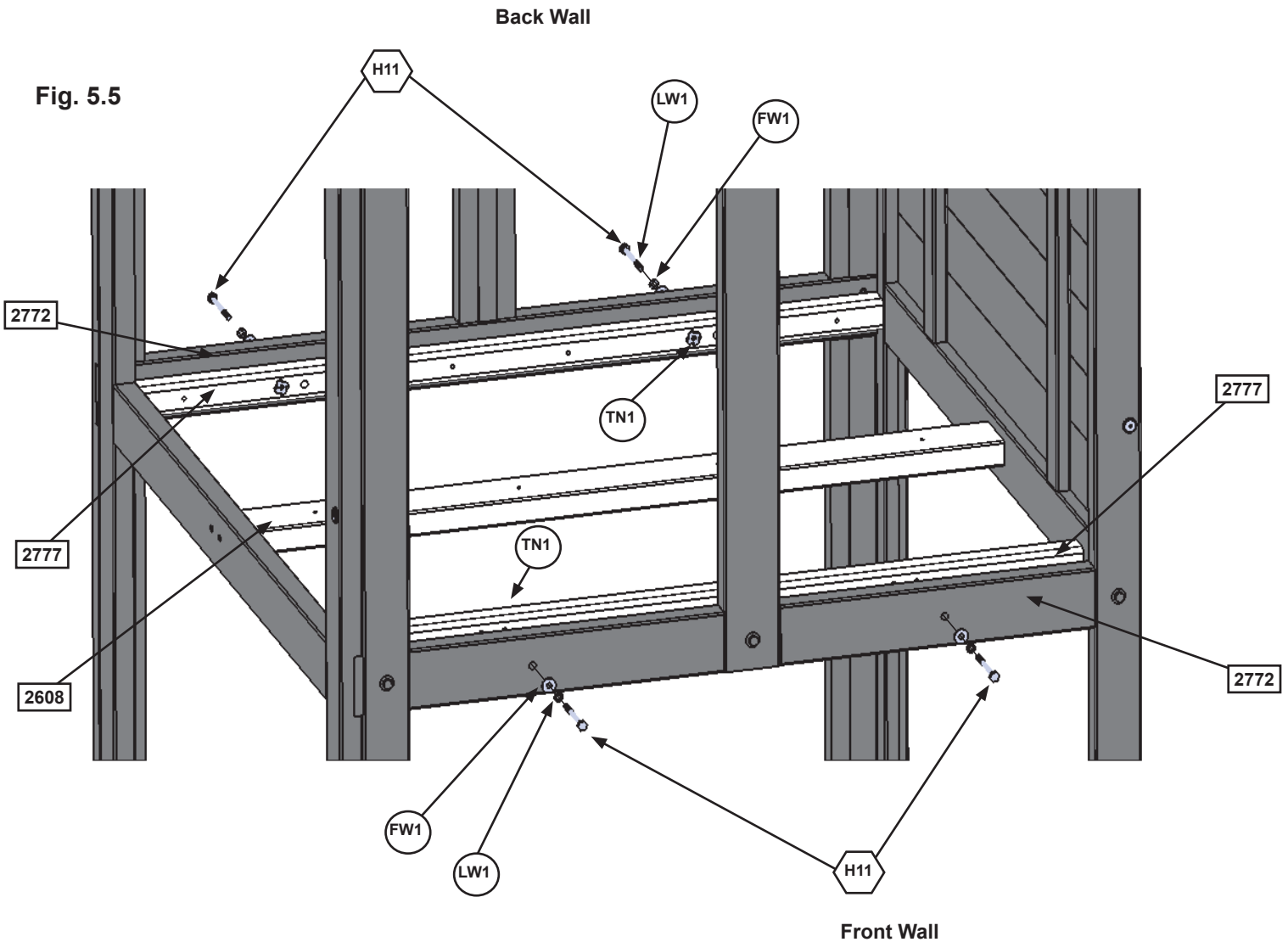
Hardware

4 x S4 Wood Screw

Step 5: Floor Assembly Part 2



B: On the inside of both the Front and Back Walls loosely attach 1 (2777) Side Joist MOD to each (2772) Panel Floor Support with 2 (H11) Hex Bolts (with lock washer, flat washer and t-nut) as shown in fig. 5.5. Make sure both (2777) Side Joist MODs are level with (2608) Floor Joist.



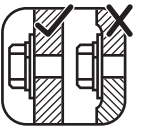
Wood Parts

2 x Side Joist MOD

Hardware

4 x Hex Bolt
(lock washer, flat washer, t-nut)

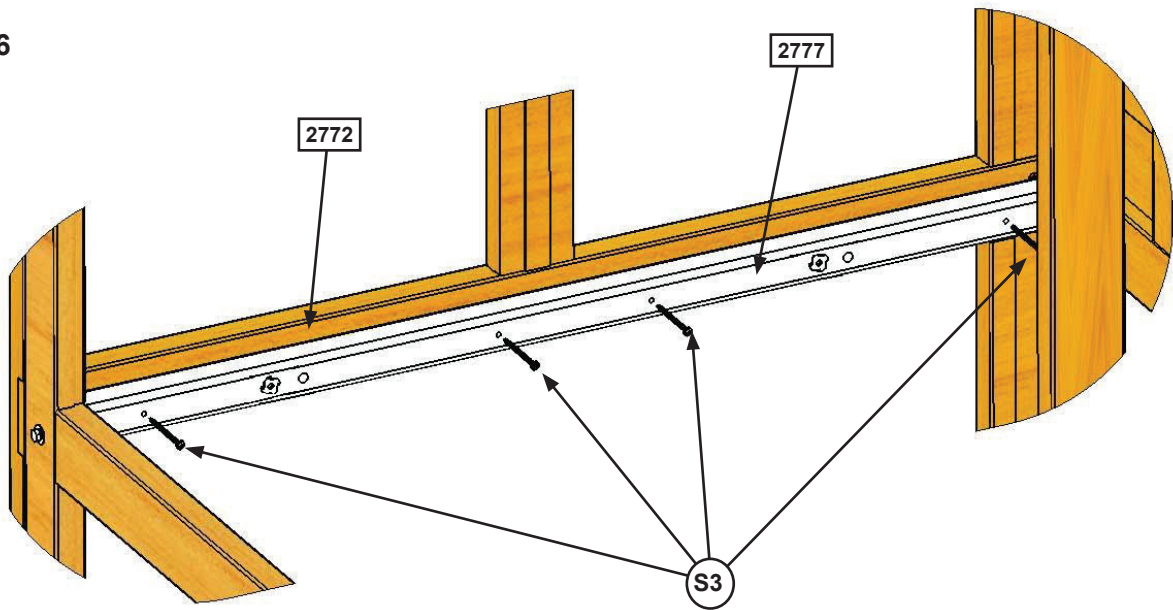
Step 5: Floor Assembly Part 3



C: Fasten each (2777) Side Joist MOD to each (2772) Panel Floor Support with 4 (S3) Wood Screws per board as shown in fig. 5.6.

D: Tighten all (H11) Hex Bolts in both (2777) Side Joist MOD.

Fig. 5.6



Hardware

8 x  Wood Screw

Step 5: Floor Assembly Part 4

E: Starting at the Swing Wall place (2648) Floor Board followed by 8 (2609) Floor Boards. Make sure all boards are evenly spaced then attach to (2608) Floor Joist and each (2777) Side Joist MOD with 5 (S20) Wood Screws per board. (fig. 5.7 and 5.8)

Fig. 5.7

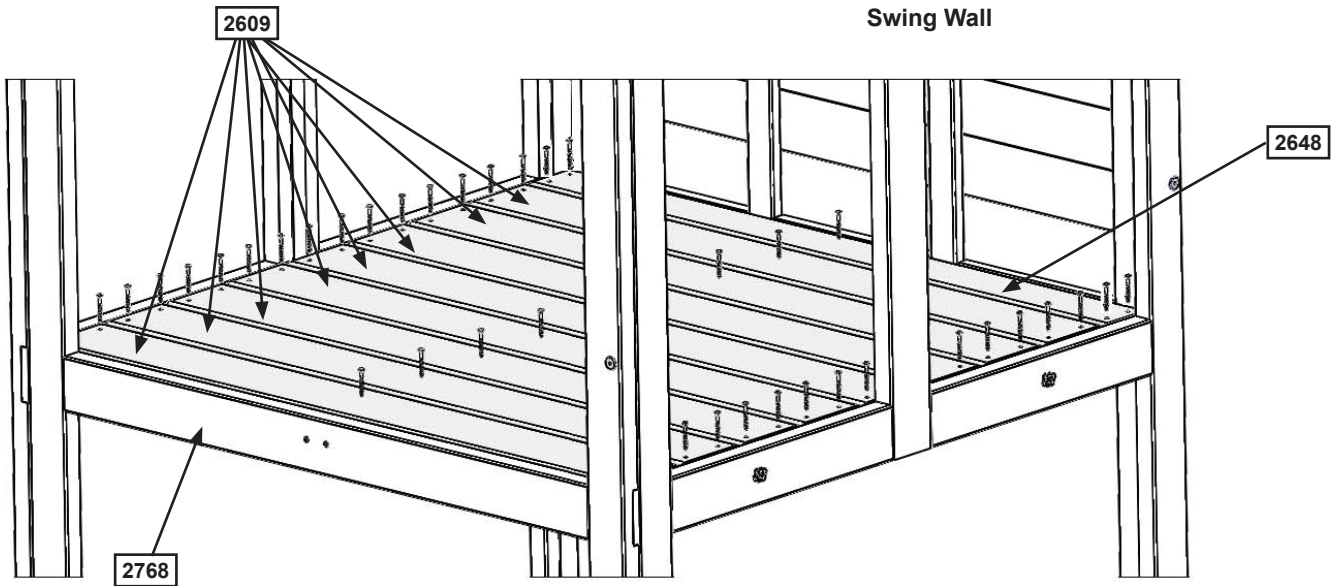
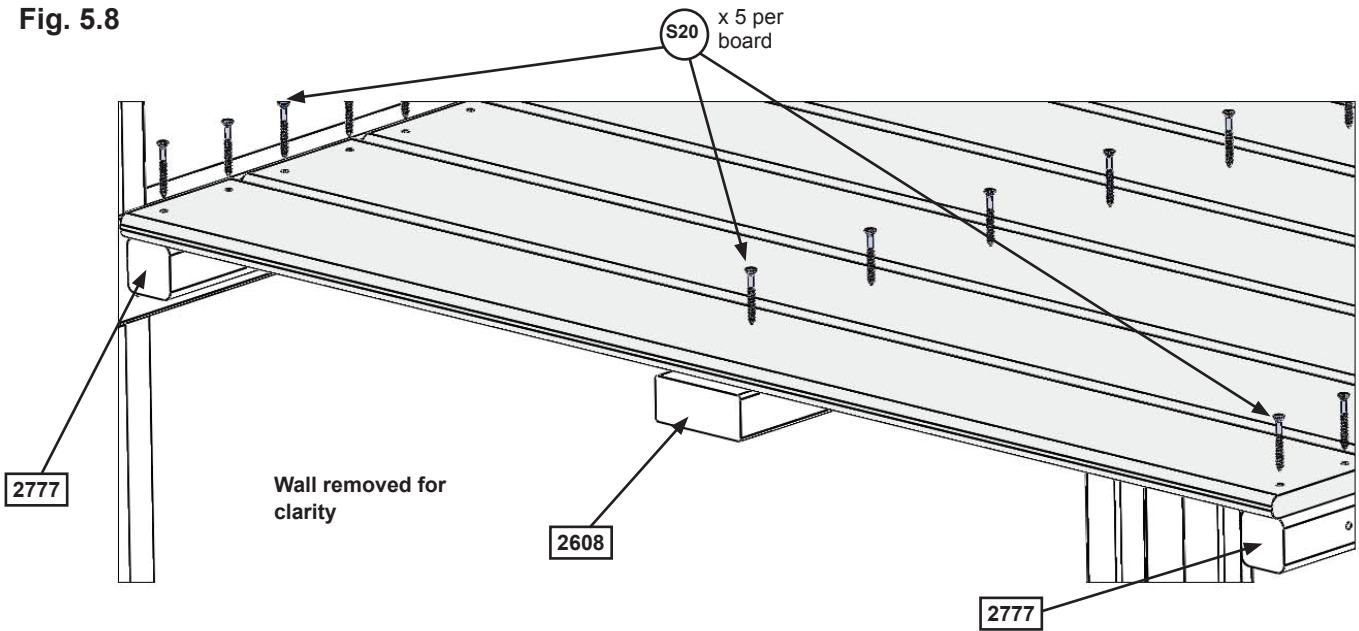


Fig. 5.8

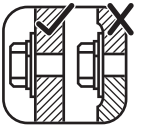


Wood Parts

- 1 x 2648 Floor Board
- 8 x 2609 Floor Board

Hardware

- 45 x S20 Wood Screw



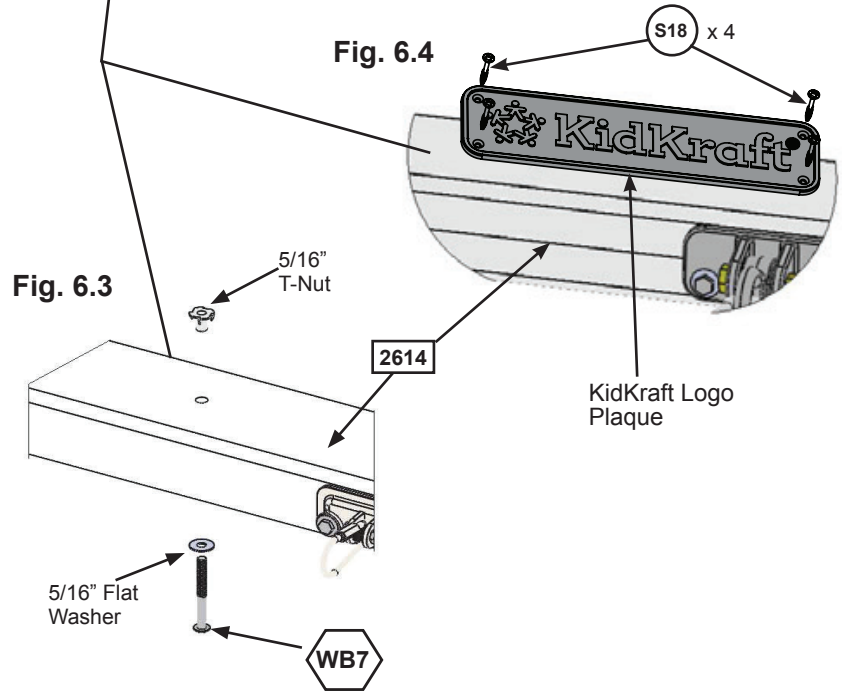
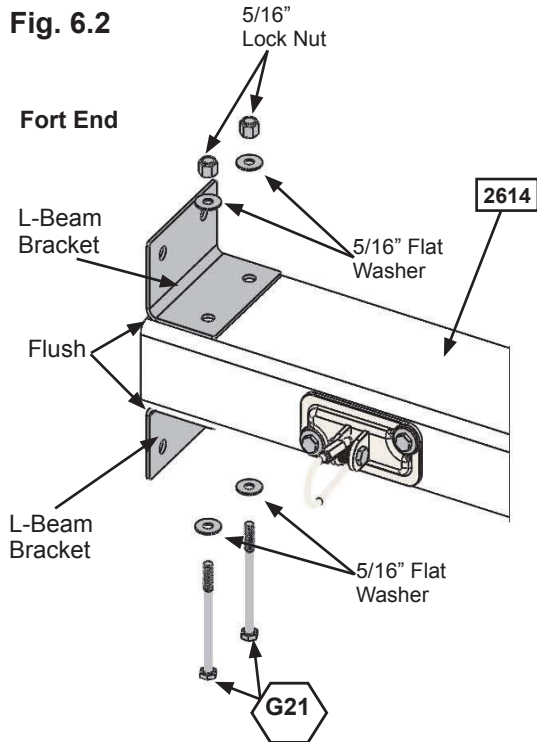
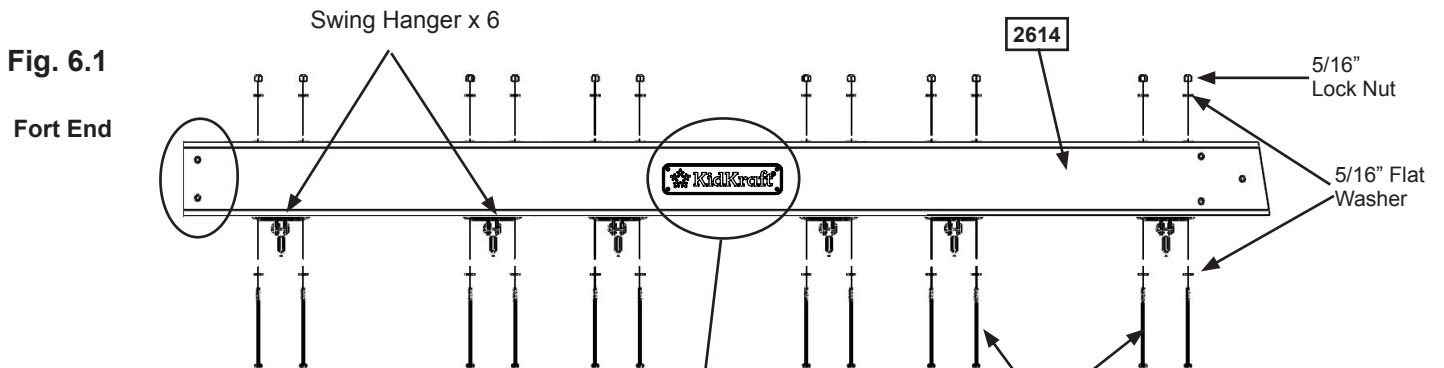
Step 6: Swing Beam Assembly

A: Attach 6 Swing Hangers to (2614) Engineered Beam using 2 (G7) Hex Bolts (with 2 flat washers and 1 lock nut) per Swing Hanger, as shown in fig. 6.1.

B: Flush to the Fort End of (2614) Engineered Beam attach 2 L-Beam Brackets with 2 (G21) Hex Bolts (with 2 flat washers and 1 lock nut). (fig. 6.2)

C: Install 1 (WB7) Wafer Bolt (with flat washer and t-nut) in the middle bolt hole in (2614) Engineered Beam as shown in fig. 6.3. **IT IS IMPORTANT THAT THIS BOLT IS ATTACHED. IT WILL MINIMIZE CHECKING OF WOOD.**

D: Attach KK Logo Plaque to centre of (2614) Engineered Beam (over top of t-nut) using 4 (S18) #6 x 1" Wood Screws. (fig. 6.4)



Wood Parts

1 x 2614 Engineered Beam 4 x 6 x 88"

Hardware

- 12 x G7 Hex Bolt (5/16" flat washer x 2, 5/16" lock nut)
- 2 x G21 Hex Bolt (5/16" flat washer x 2, 5/16" lock nut)
- 1 x WB7 Wafer Bolt (5/16" flat washer & 5/16" t-nut)
- 4 x S18 #6 x 1" Wood Screw

Other Parts

- 6 x Swing Hangers
- 2 x L-Beam Bracket
- 1 x KidKraft Logo Plaque

Step 7: Swing End Assembly

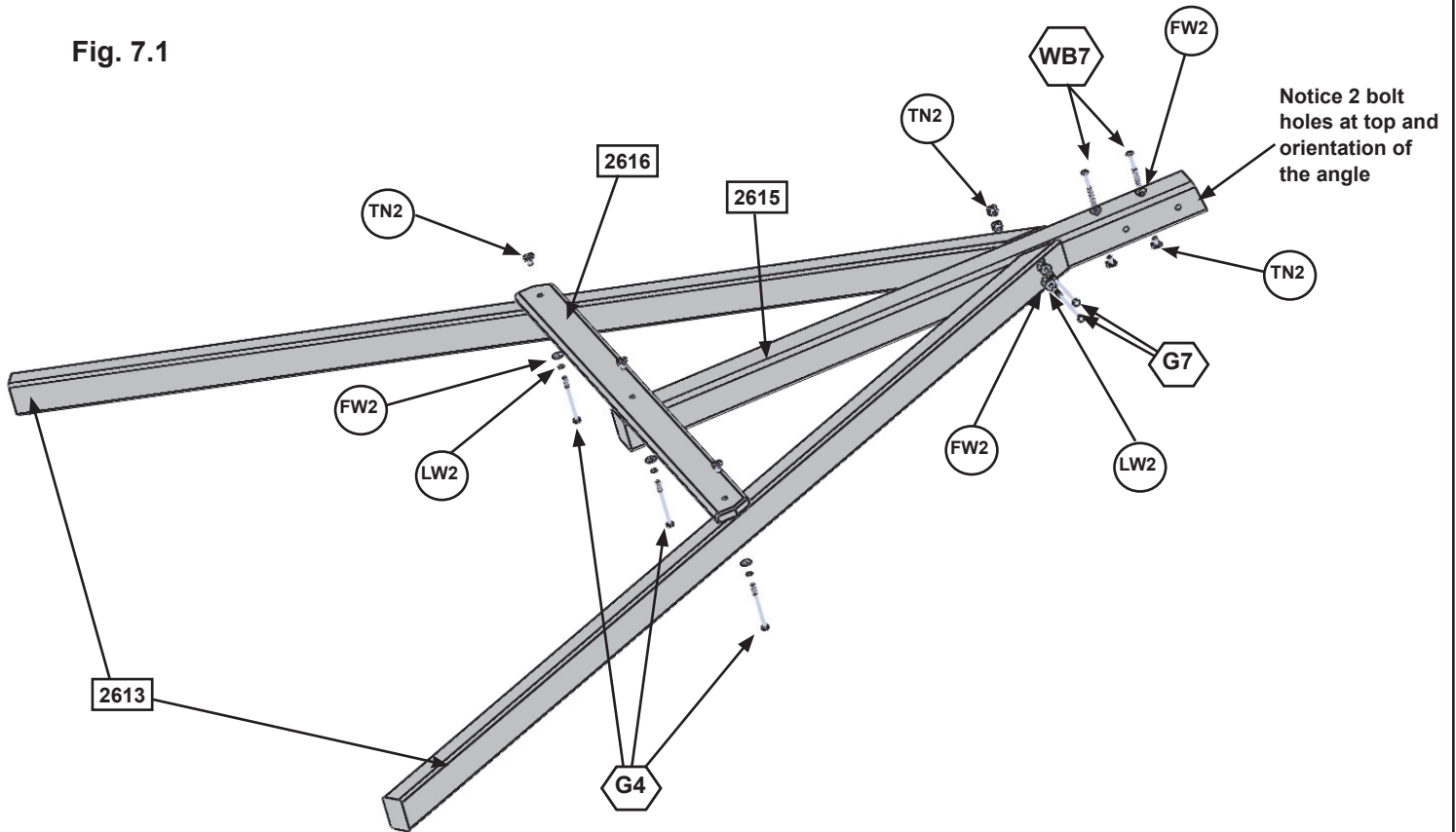


A: Loosely attach 2 (2613) Heavy SW Posts to (2615) SW Upright using 2 (G7) Hex Bolts (with lock washer, flat washer and t-nut). Notice 2 bolt holes at top of (2615) SW Upright and orientation of angle. (fig. 7.1)

B: Attach (2616) SW Support to both (2613) Heavy SW Posts and (2615) SW Upright using 3 (G4) Hex Bolts (with lock washer, flat washer and t-nut). Tighten all bolts (fig. 7.1)

C: Install 2 (WB7) Wafer Bolts (with flat washer and t-nut) in the top bolt holes in (2615) SW Upright as shown in fig. 7.1. **IT IS IMPORTANT THAT THESE BOLTS ARE ATTACHED. THEY WILL MINIMIZE CHECKING OF WOOD.**

Fig. 7.1



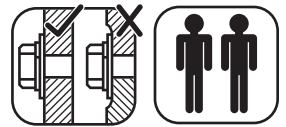
Wood Parts

- 2 x 2613 Heavy SW Post
- 1 x 2615 SW Upright
- 1 x 2616 SW Support

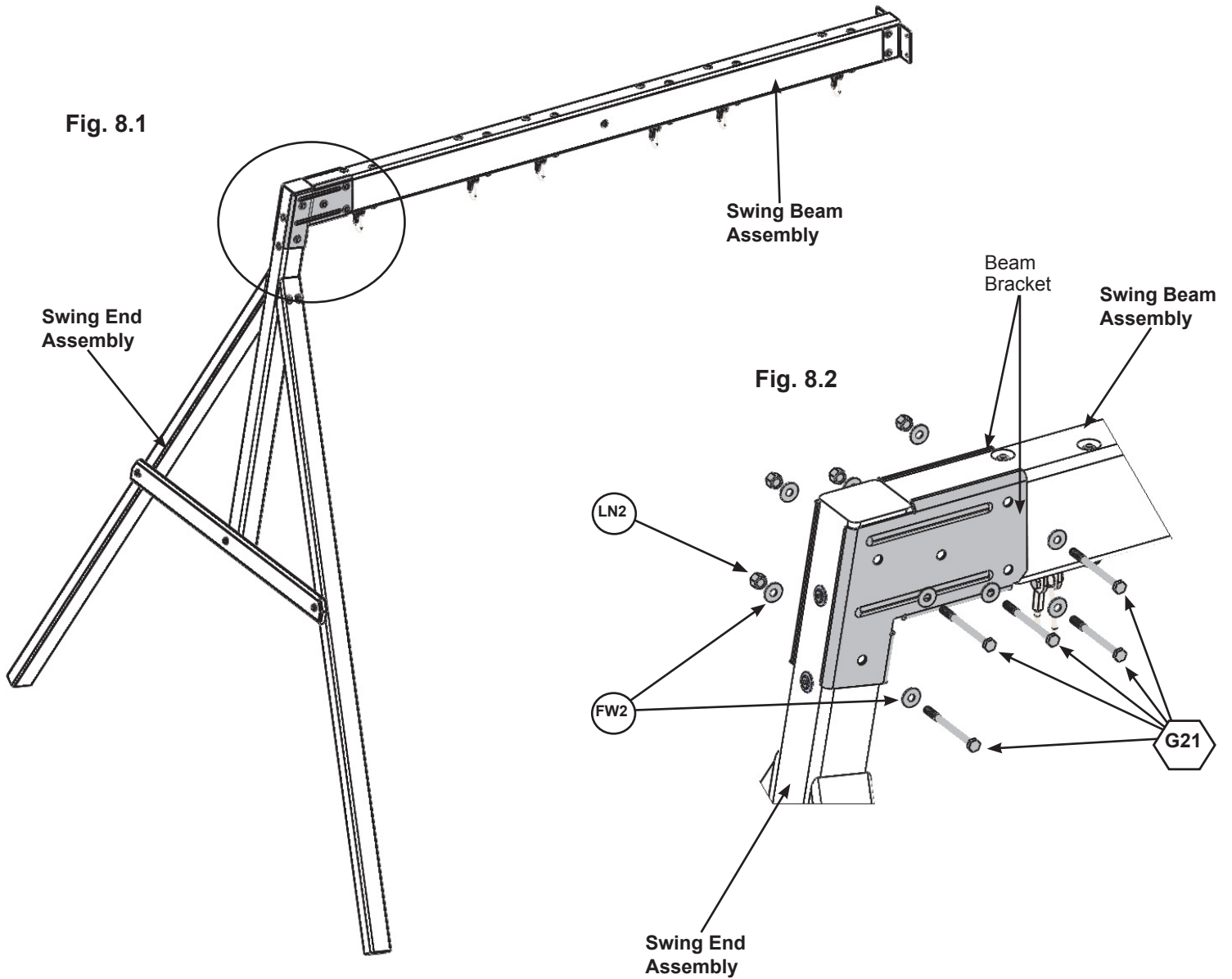
Hardware

- 2 x G7 Hex Bolt (lock washer, flat washer, t-nut)
- 3 x G4 Hex Bolt (lock washer, flat washer, t-nut)
- 2 x WB7 Wafer Bolt (flat washer & t-nut)

Step 8: Attach Swing End to Swing Beam



A: Place Swing End Assembly against Swing Beam Assembly then place 1 Beam Bracket on each side of the assembly (they are specific for left and right side) and attach with 5 (G21) Hex Bolts (with 2 flat washers and 1 lock nut). (fig. 8.1 and 8.2)



Hardware

5 x Hex Bolt
(flat washer x 2, lock nut)

Other Parts

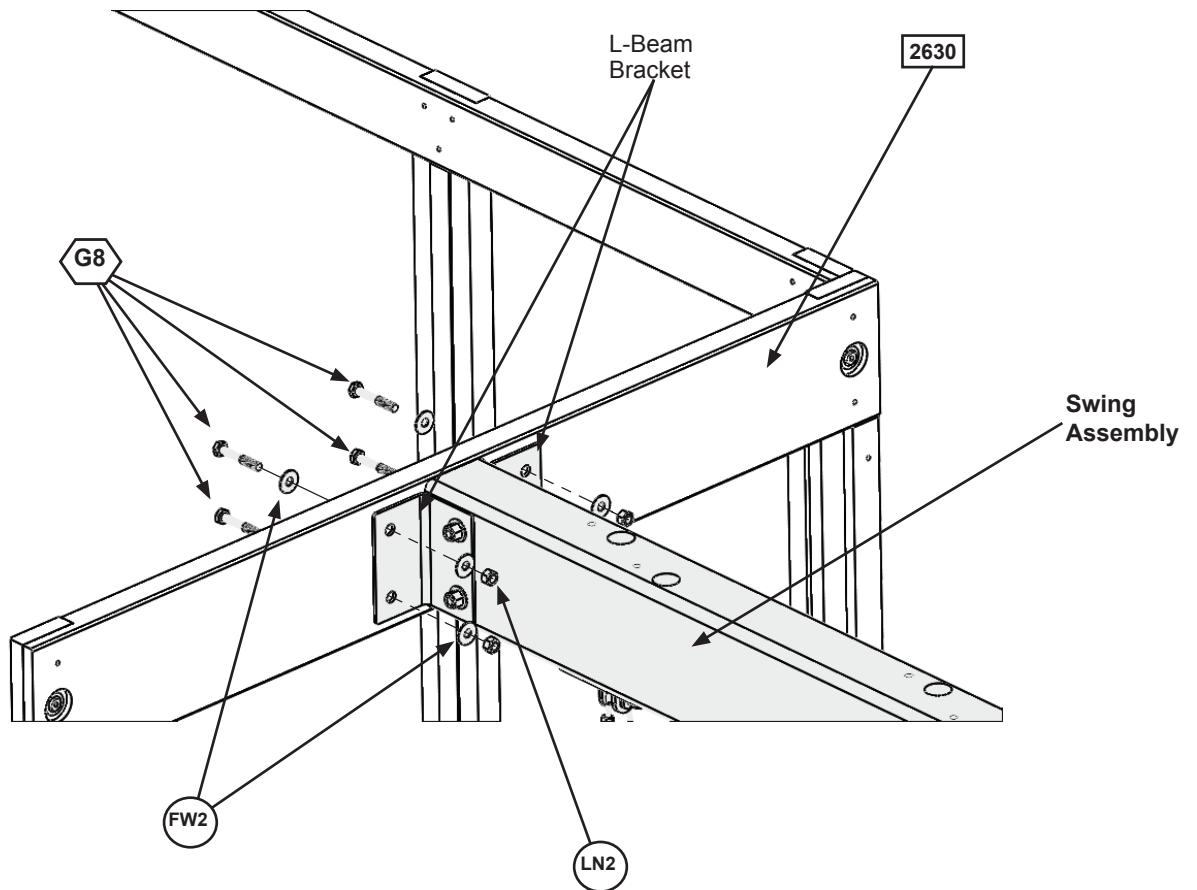
2 x Beam Bracket (Left/Right)

Step 9: Attach Swing Assembly To Fort



A: Place Swing Assembly against top of (2630) SW Top, make sure assembly is level then attach from inside the fort assembly into each L-Beam Bracket with 4 (G8) Hex Bolts (with 2 flat washers and 1 lock nut). (fig. 9.1)

Fig. 9.1



Hardware

4 x  Hex Bolt
(flat washer x 2, lock nut)

Step 10: Install Ground Stakes

MOVE FORT TO FINAL LOCATION PRIOR TO STAKING **FINAL LOCATION MUST BE LEVEL GROUND**

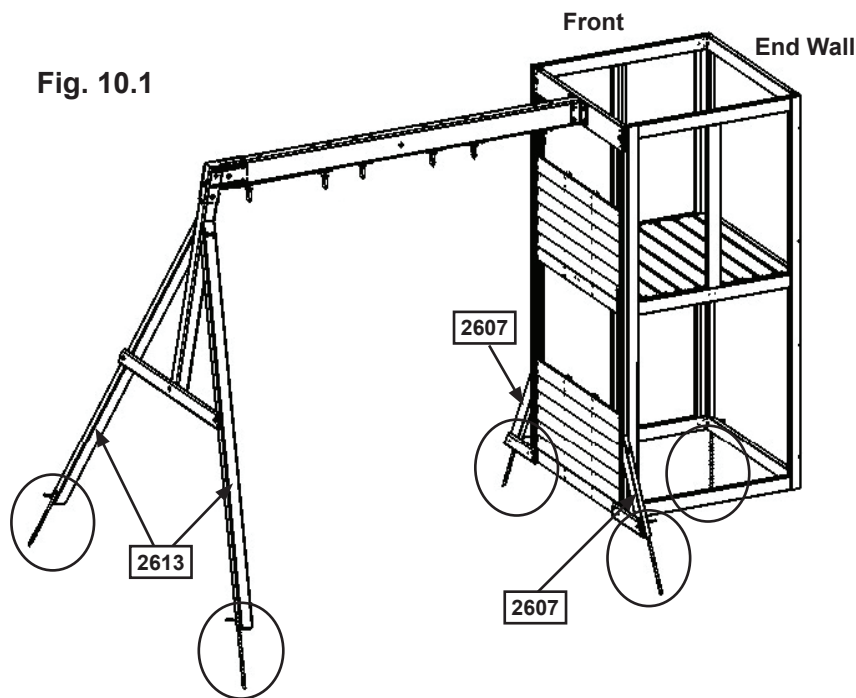
A: In the 5 places shown in fig. 10.1 drive the Rebar Ground Stakes 13" (330 mm) into the ground against outside front corner of the End Wall, on both (2607) Diagonals and both (2613) Heavy SW Posts. Be careful not to hit the washer while hammering stakes into the ground as this could cause the washer to break off.

B: Attach ground stakes using 1 (S7) Pan Screw per ground stake (fig. 10.2 and 10.3).

C: After driving stakes into the ground, check for sharp edges caused by the impact of the hammer. Smooth any sharp edges from impact area and touch up with outdoor paint.

⚠ Warning! To prevent tipping and avoid potential injury, stakes must be driven 13" (330 mm) into ground. Digging or driving stakes can be dangerous if you do not check first for under-ground wiring, cables or gas lines.

Fig. 10.1



**SEE FRONT COVER
FOR SAFETY CLEARANCE**

Fig. 10.2

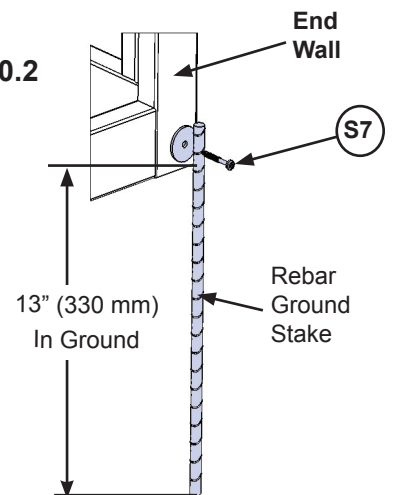
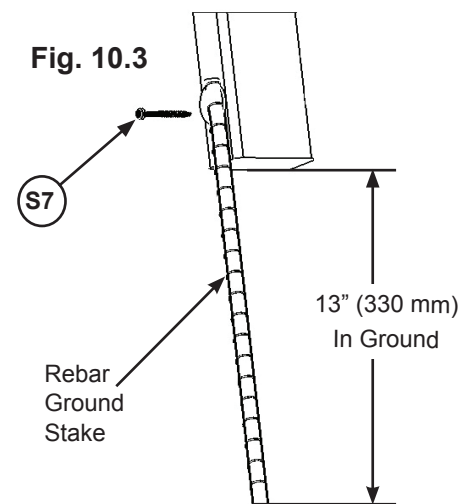


Fig. 10.3



Hardware

5 x (S7) Pan Screw

Other Parts

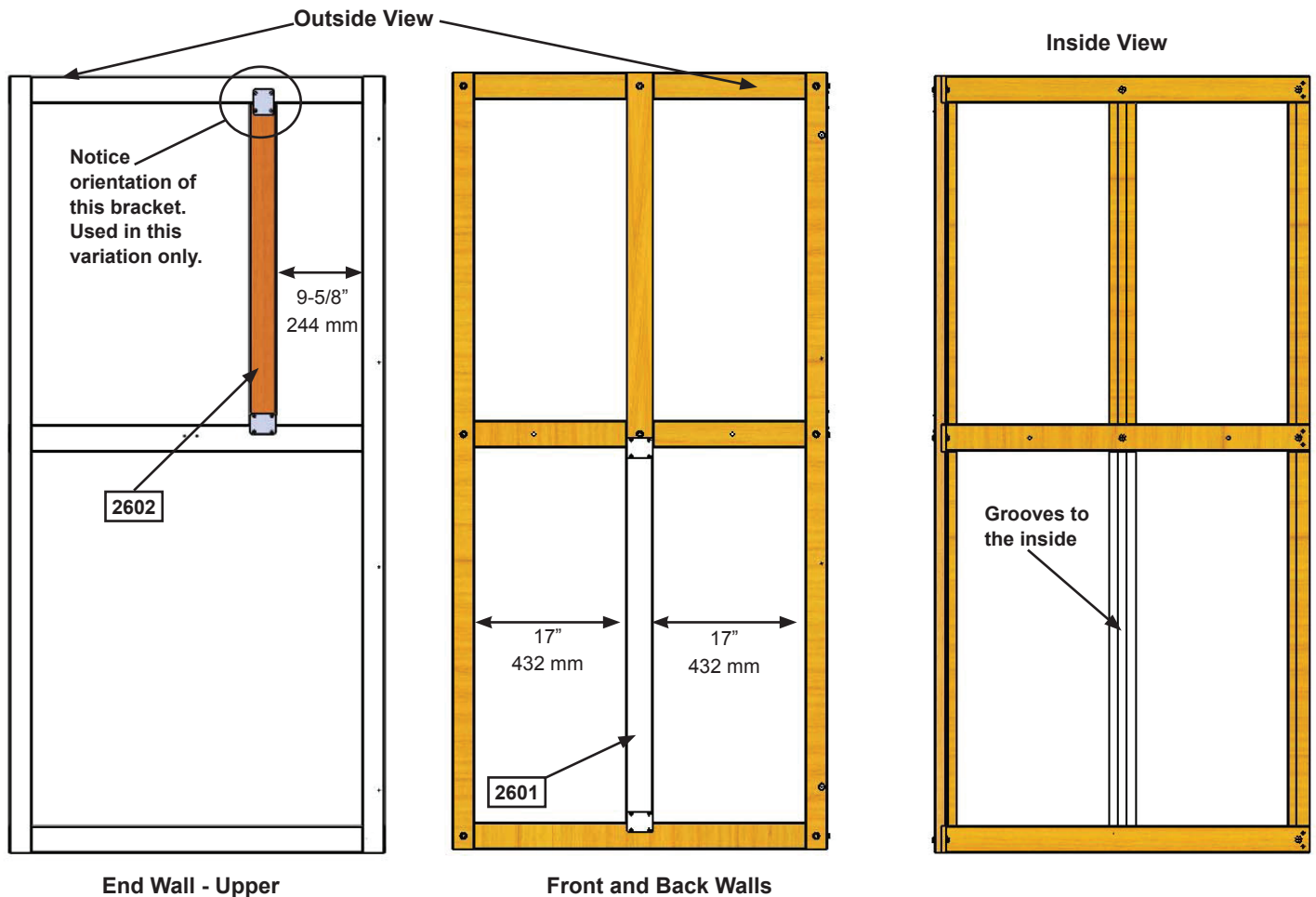
5 x Rebar Ground Stake

Step 11: How to Install Inserts - Upper and Lower Jambs



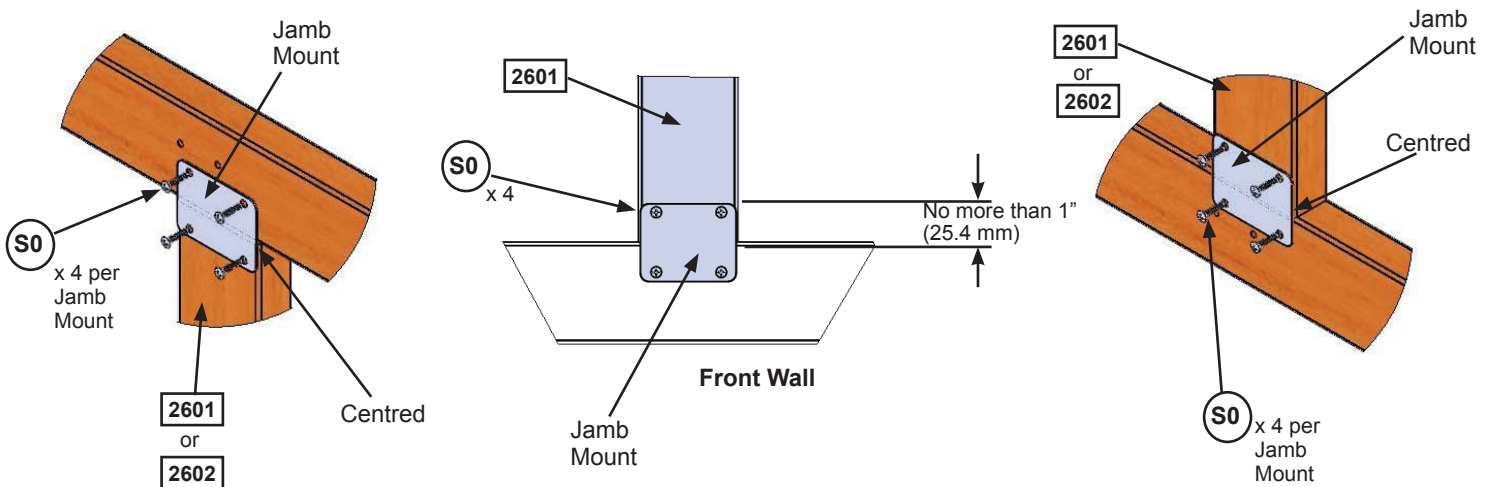
There is 2 (2601) Lower Jamb and 1 (2602) Upper Jamb provided. Install the (2601) Lower Jamb on the Front and Back Walls and the (2602) Upper Jamb on the End Wall using 2 Jamb Mounts and 8 (S0) Truss Screws per board.

Use the diagrams below to show correct placement of each board.



End Wall - Upper

Front and Back Walls



Wood Parts

- 2 x **2601** Lower Jamb
- 1 x **2602** Upper Jamb

Hardware

- 24 x **S0** Truss Screw

Other Parts

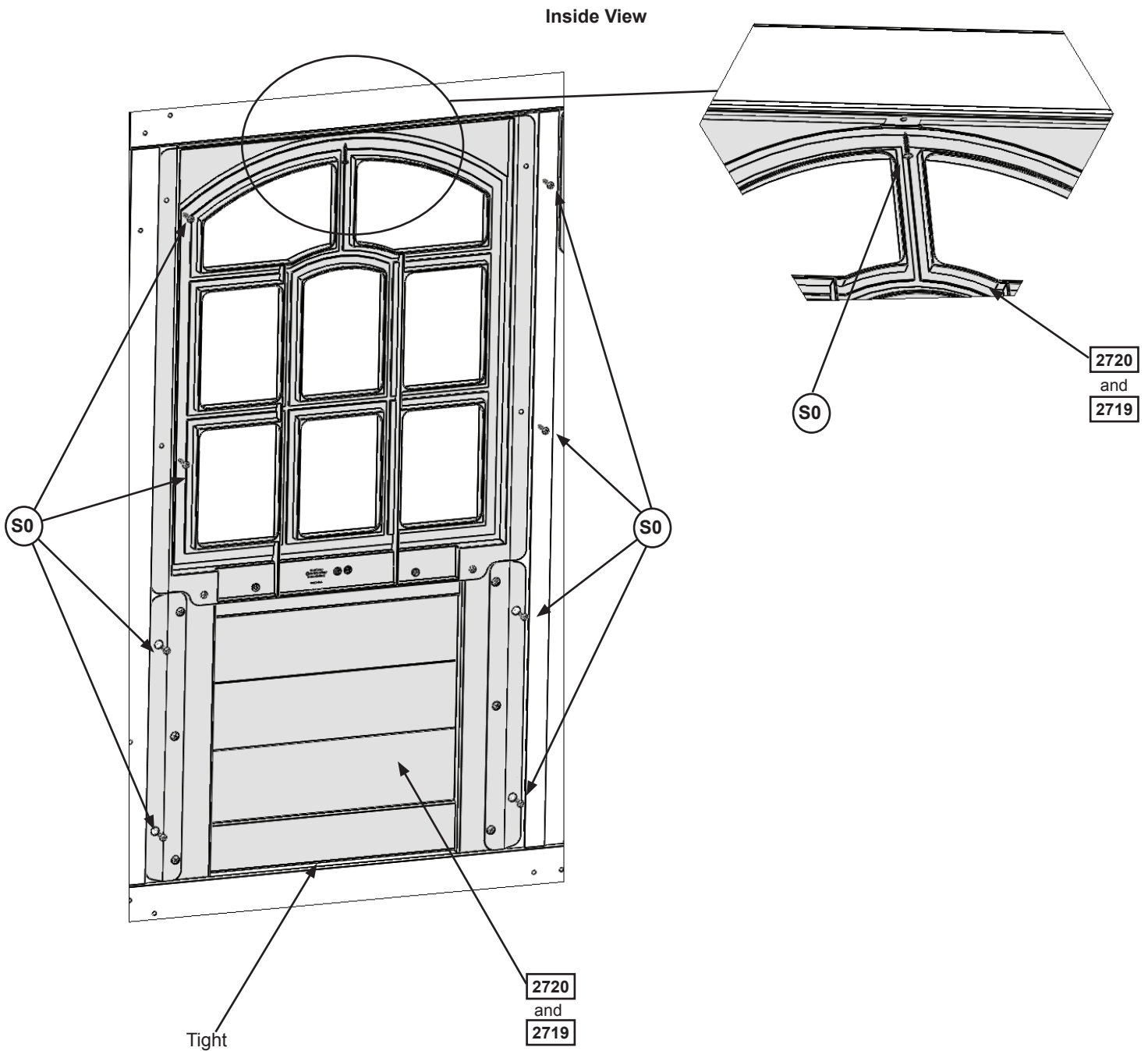
- 6 x Jamb Mount

Step 12: How to Install Inserts - Window

There are 2 (2720) Lower Window Insert, 2 (2719) Upper Window Inserts provided, Use the Fort Guide to see where each insert is installed.

When installing you will need the following:

For (2720) Lower Window Inserts and (2719) Upper Window Insert - 9 x (S0) Truss Screws per insert.



Wood Parts

- 2 x 2719 Upper Window Insert
- 2 x 2720 Lower Window Insert

Hardware

- 36 x S0 Truss Screw

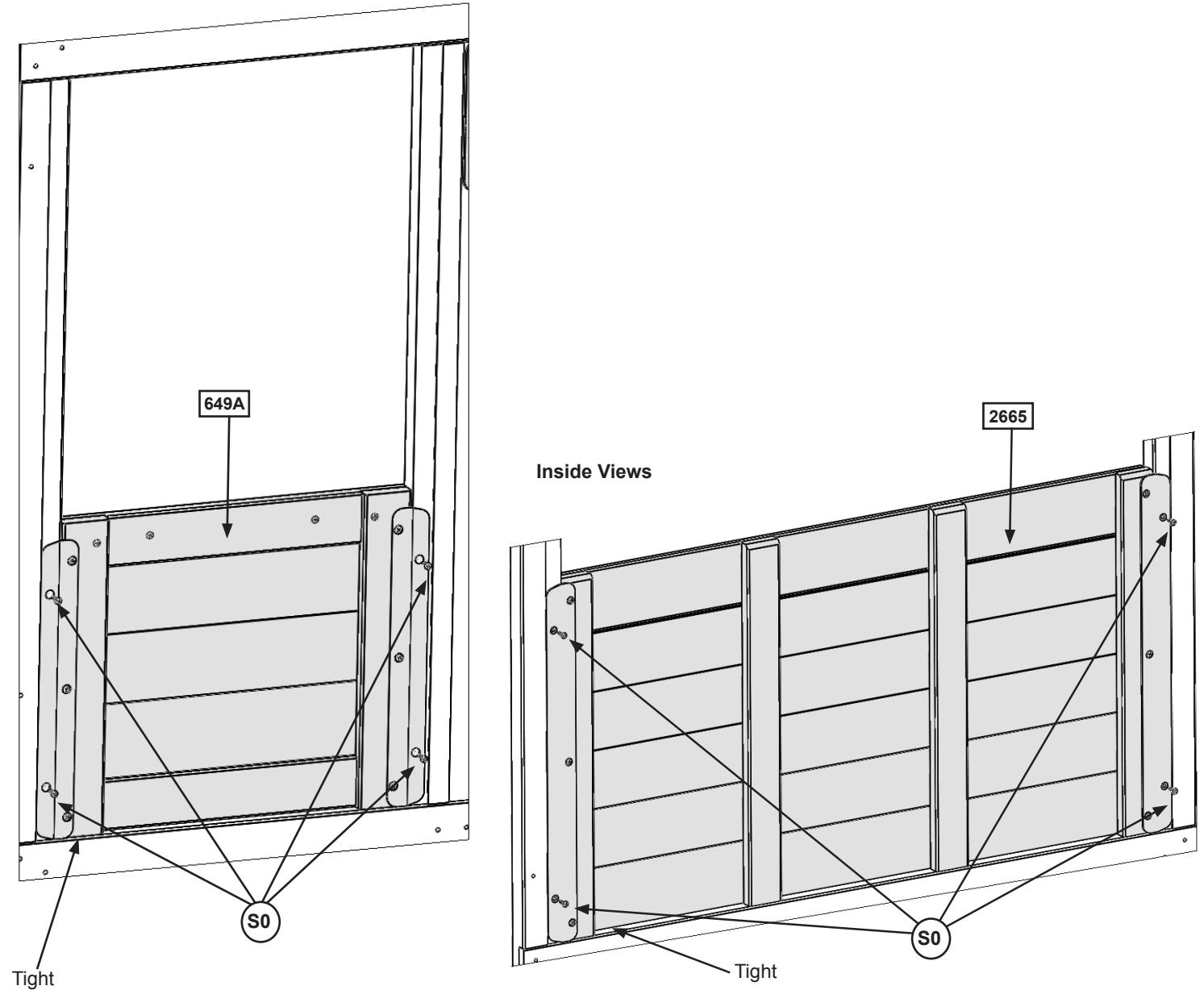
Step 13: How to Install Inserts - Wall Inserts

There are 1 (2665) Half Wall Insert, 1 (649A) Short Half Walls provided. Use the Fort Guide to see where each insert is installed.

When installing you will need the following:

For (2665) Half Wall Insert, (649A) Short Half Walls - 4 x (S0) Truss Screws per insert.

Inside Views



Wood Parts

- 1 x 2665 Half Wall Insert
- 1 x 649A Short Half Wall

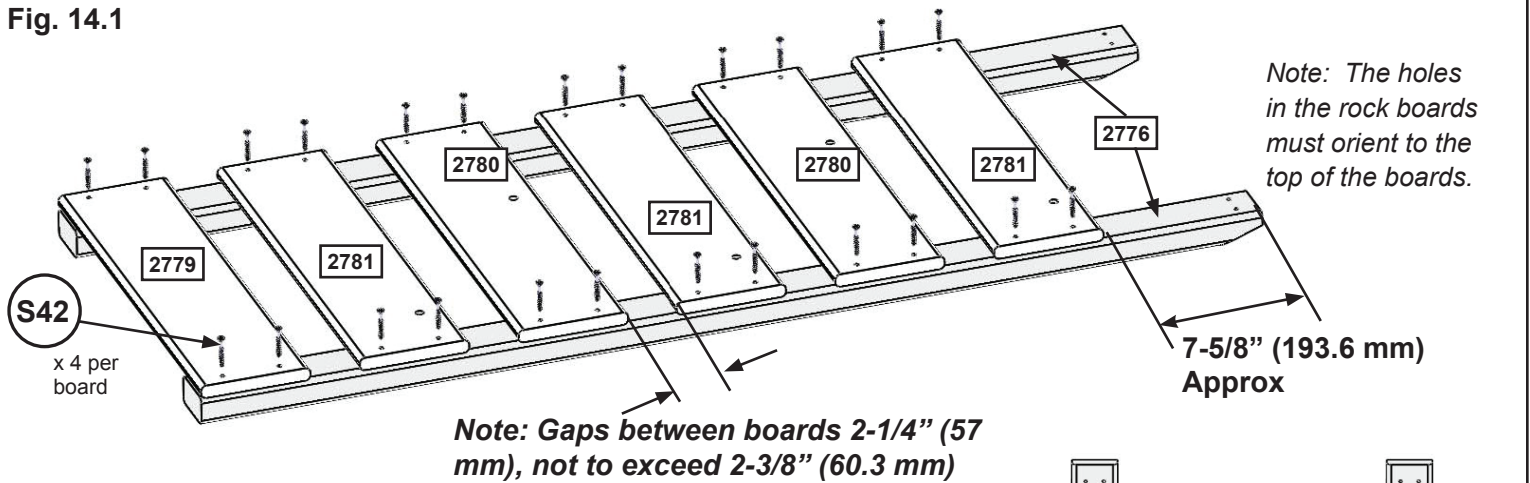
Hardware

- 8 x S0 Truss Screw

Step 14: Rock Wall Assembly



Fig. 14.1



Pre-drill each hole using a 1/8" (3 mm) drill bit for S42

A: Lay 2 (2776) Rock Rails down, side by side with angled edges facing down. (fig. 14.1)

B: Place (2779) Access Board on the bottom of each (2776) Rock Rail as shown in fig. 14.1. Make sure (2779) Access Board is flush to the outside and bottom edges of each (2776). Attach using 4 (S42) Pan Screws.

C: 7-5/8" (193.6 mm) down from the top of both (2776) Rock Rails place 1 (2781) Rk Board B, making sure the sides are flush to the outside edges of each (2776) Rock Rail. Attach using 4 (S42) Pan Screws. (fig. 14.1)

D: In between the (2779) Access Board and (2781) Rk Board B stagger 2 (2781) Rk Board Bs and 2 (2780) Rk Board As using 4 (S42) Pan Screws per board. Placing them as shown in fig. 14.1, this will prevent rocks from forming a straight line. Make sure the boards are evenly spaced and do not exceed 2-3/8" (60.3 mm) between boards.

Fig. 14.2

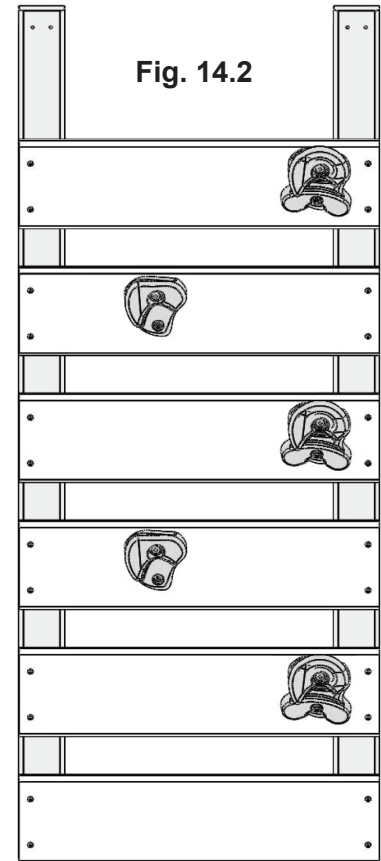
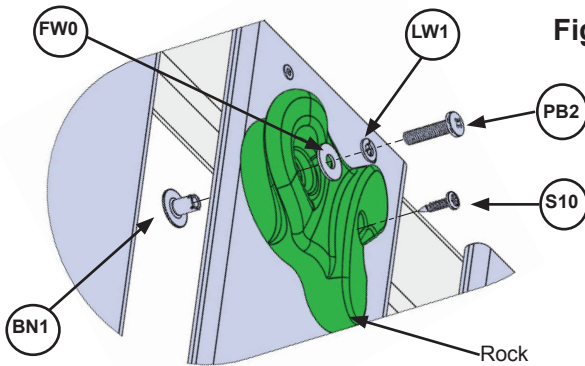


Fig. 14.3



E: Place 1 rock on each (2780) Rk Board A and (2781) Rk Board B (fig. 14.2) and attach using 1 (PB2) Pan Bolt (with lock washer, flat washer and barrel nut) and 1 (S10) Pan Screw per rock. The Screw must be in the hole directly under the Pan Bolt, it will stop the rock from spinning. (fig. 14.3)

Wood Parts

- 1 x 2779 Access Board
- 3 x 2781 Rk Board B
- 2 x 2780 Rk Board A
- 2 x 2776 Rock Rail

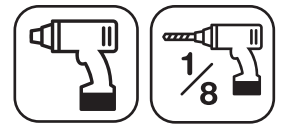
Hardware

- 24 x S42 Pan Screw
- 5 x S10 Pan Screw
- 5 x PB2 Pan Bolt (lock washer, flat washer & barrel nut)

Other Parts

- 5 x Rocks (3 green/2 yellow)

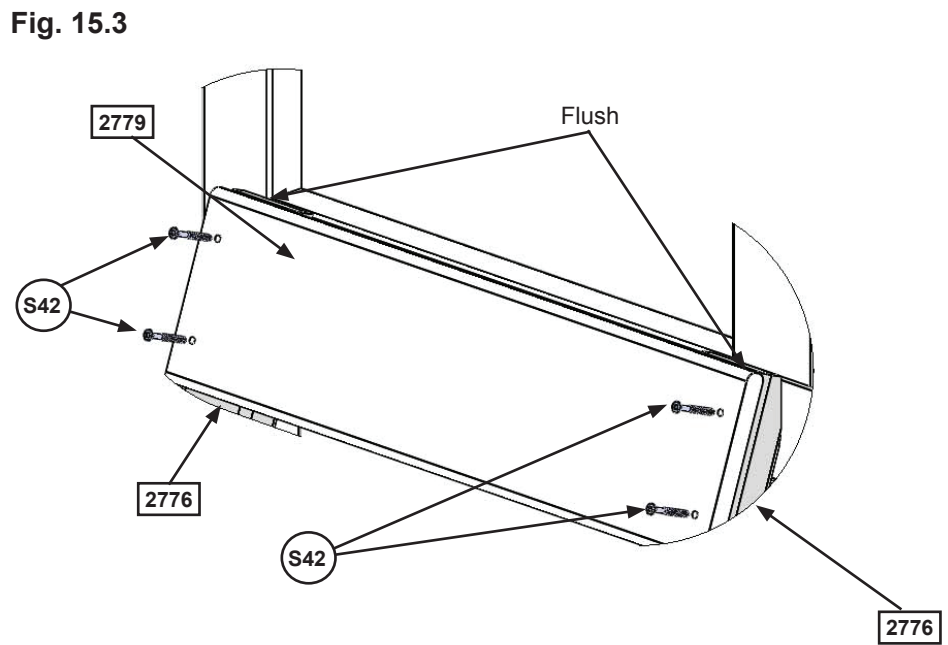
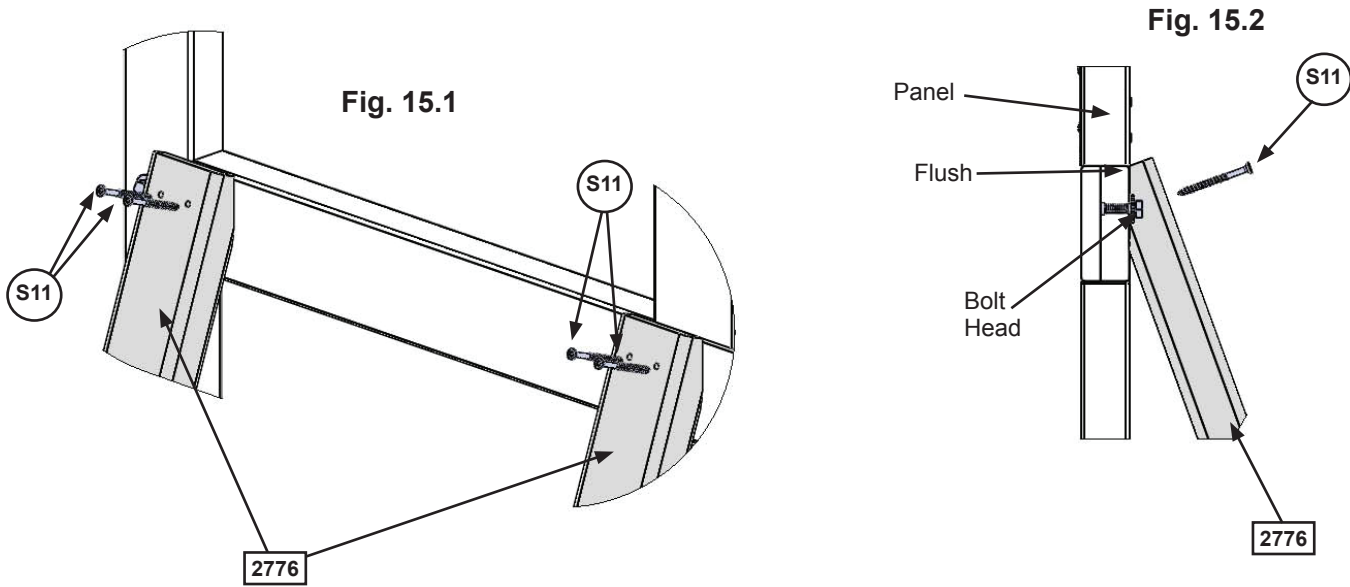
Step 15: Attach Rock Wall Assembly to Fort Part 1



A: Place Rock Wall Assembly centred in opening of the Back Wall as shown in the Fort Guide and flush as shown below. Attach (2776) Rock Rails to the Back Wall using 4 (S11) Wood Screws. (fig. 15.1 and 15.2)

B: Attach 1 (2779) Access Board to top of Rock Wall Assembly, flush to top of (2776) Rock Rails using 4 (S42) Pan Screws (fig. 15.3). **Pre-drill each hole using a 1/8" (3 mm) drill bit for S42.**

Note: Make sure (2776) Rock Rails do not cover the bolt head, move assembly over so it is tight to the bolt head. (fig. 15.1 and 15.2)



Wood Parts

1 x [2779] Access Board

Hardware

- 4 x (S42) Pan Screw
- 4 x (S11) Wood Screw

Step 15: Attach Rock Wall Assembly to Fort

Part 2

C: Drive 1 Rebar Ground Stake 13" (330 mm) into the ground against outside (2776) Rock Rail then attach with 1 (S7) Pan Screw. Be careful not to hit the washer while hammering stake into the ground as this could cause the washer to break off. (fig. 15.4 and 15.5)

D: After driving stake into the ground, check for sharp edges caused by the impact of the hammer. Smooth any sharp edges from impact area and touch up with outdoor paint.

⚠Warning! To prevent tipping and avoid potential injury, stakes must be driven 13" (330 mm) into ground. Digging or driving stakes can be dangerous if you do not check first for under-ground wiring, cables or gas lines.

Fig. 15.4

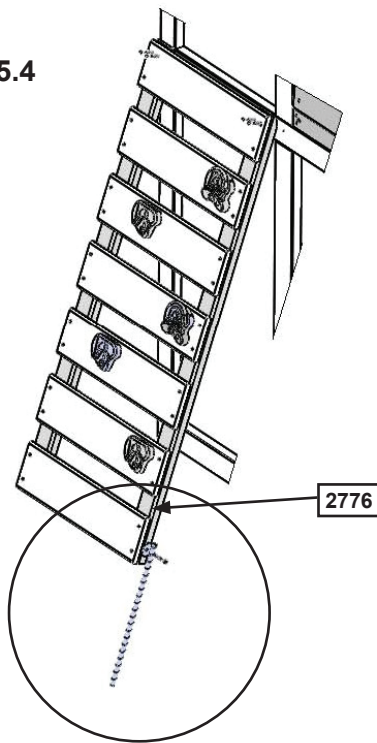
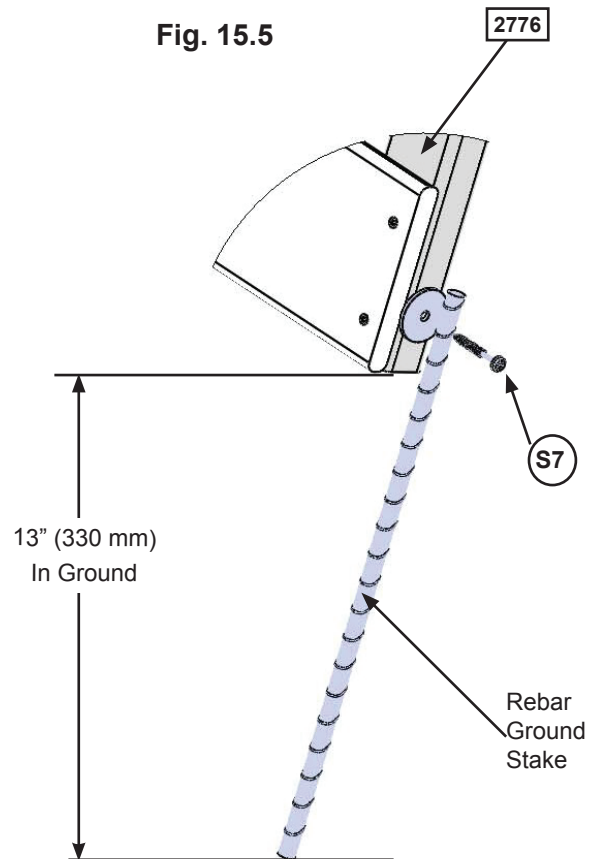


Fig. 15.5



Hardware

1 x (S7) Pan Screw

Other Parts

1 x Rebar Ground Stake

Step 16: Roof Support Assembly

A: Attach 1 (2760) Roof Support to a second (2760) Roof Support at peak using 1 (S4) Wood Screw. Repeat this step so there are 2 Roof Support Assemblies. (fig. 16.1 and 16.2)

Fig. 16.1

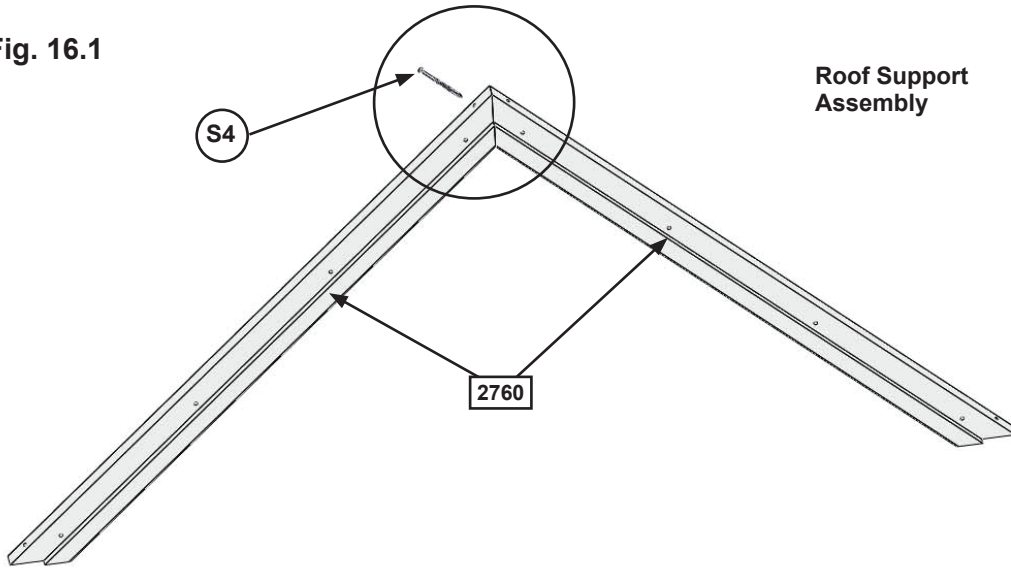
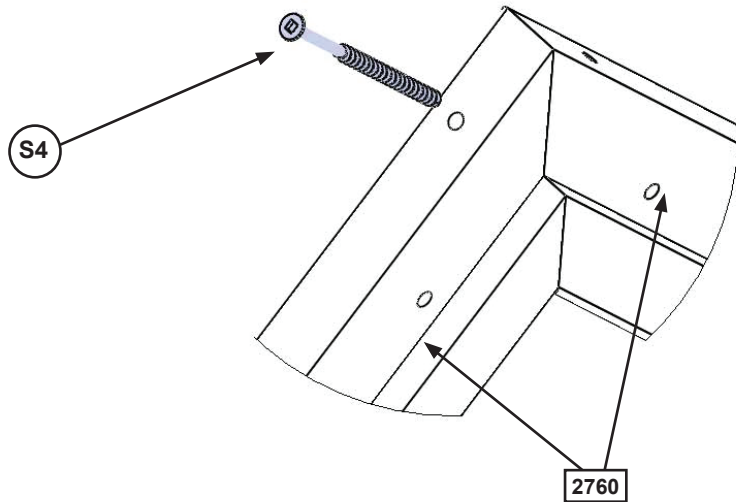


Fig. 16.2



Wood Parts

4 x **2760** Roof Support

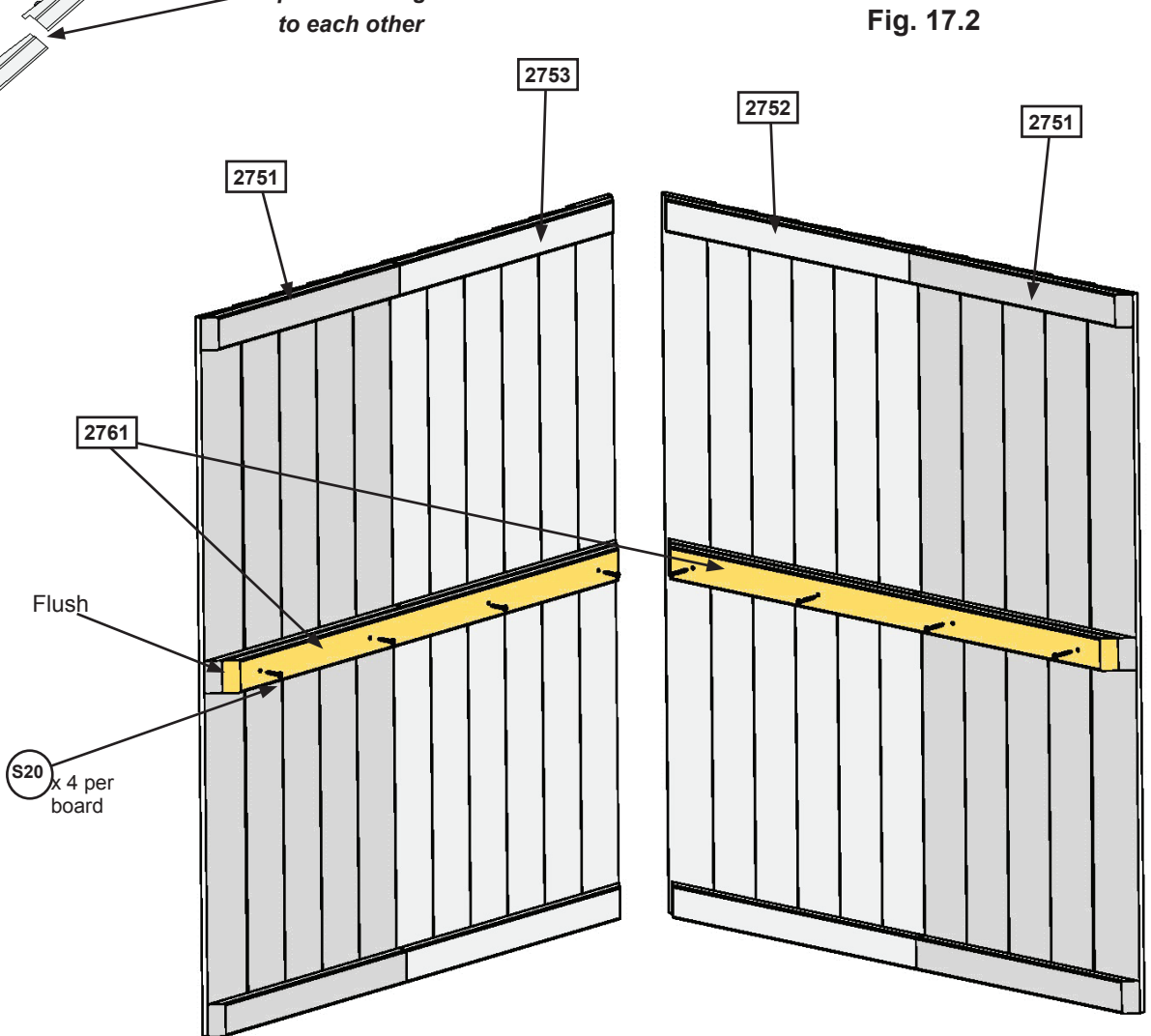
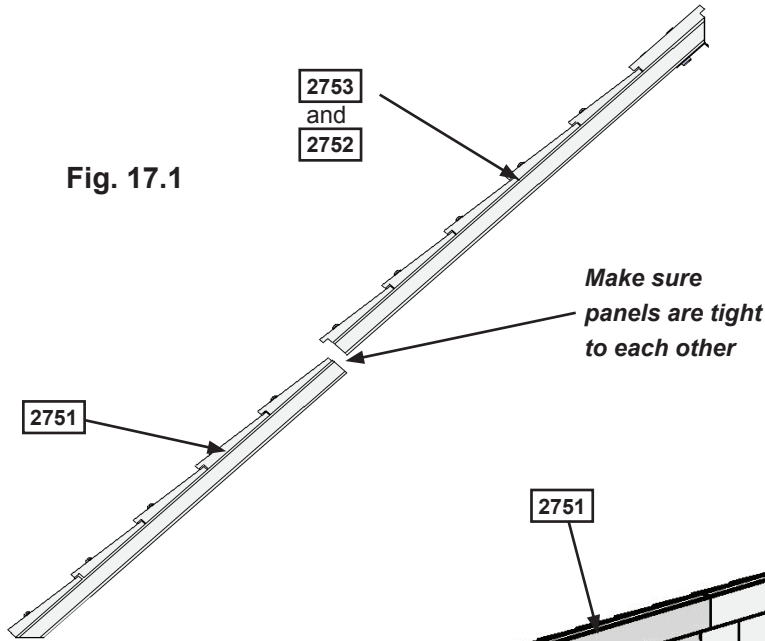
Hardware

2 x **S4** Wood Screw

Step 17: Roof Panel Assembly

A: Place 1 (2751) MOD Roof Bottom tight to the bottom of (2752) MOD Roof Front and (2753) MOD Roof Back. (fig.17.1)

B: Place a (2761) Roof Sleeper C on the middle strip of each Roof Panel Assembly so the ends are flush and attach with 4 (S20) Wood Screws per panel. (fig.17.2)



Wood Parts

- 2 x 2751 MOD Roof Bottom
- 1 x 2752 MOD Roof Front
- 1 x 2753 MOD Roof Back
- 2 x 2761 Roof Sleeper C

Hardware

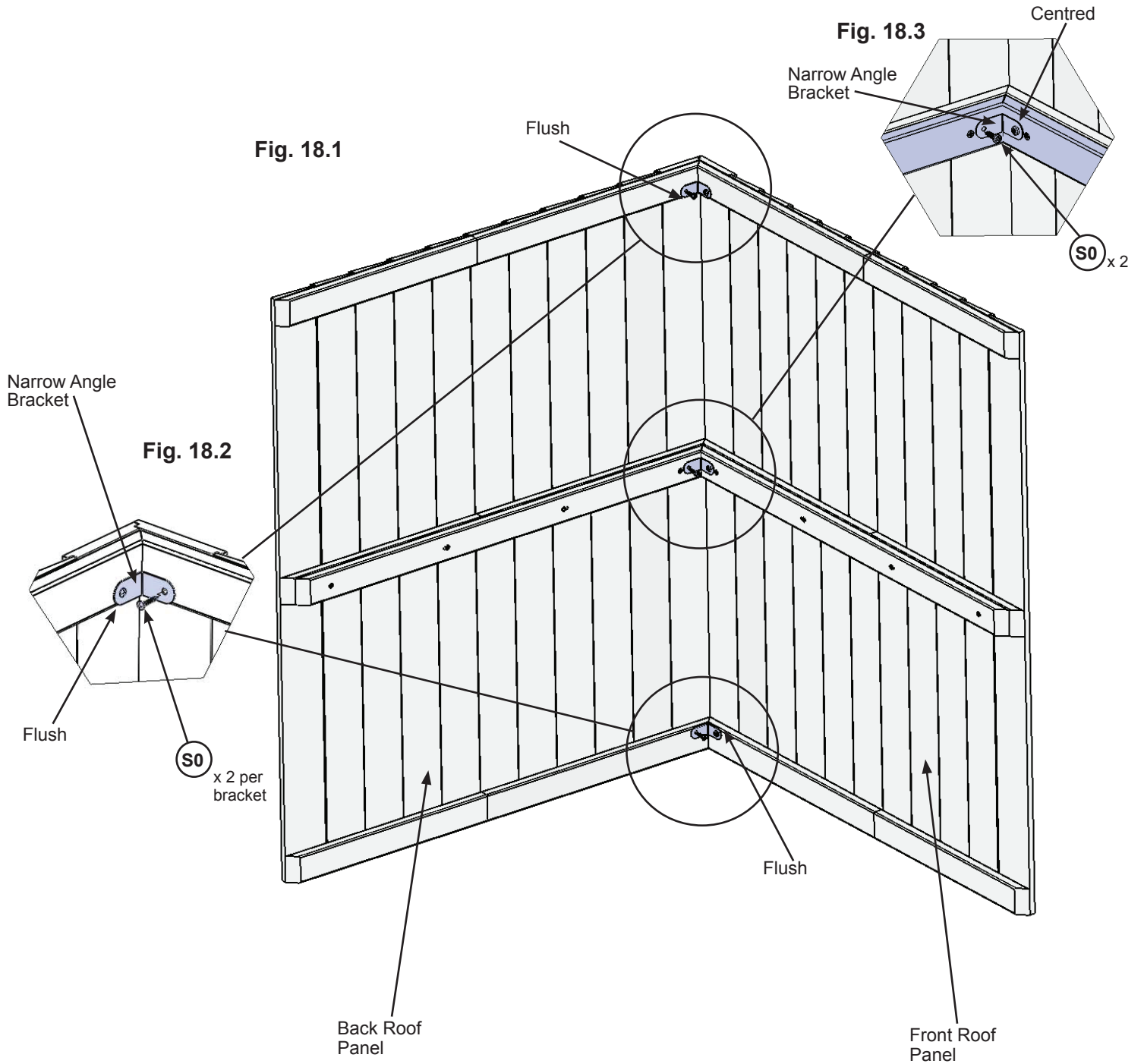
- 8 x S20 Wood Screw

Step 18: Roof Assembly



A: Place Front Roof Panel against Back Roof Panel so the tops form a peak then tight to the inside edge of the outside slats attach 1 Narrow Angle Bracket per slat with 2 (S0) Truss Screws per bracket. (fig. 18.1 and 18.2)

B: Attach the third Narrow Angle Bracket centred on the middle slat with 2 (S0) Truss Screws. (fig. 18.1 and 18.3)



Hardware

6 x S0 Truss Screw

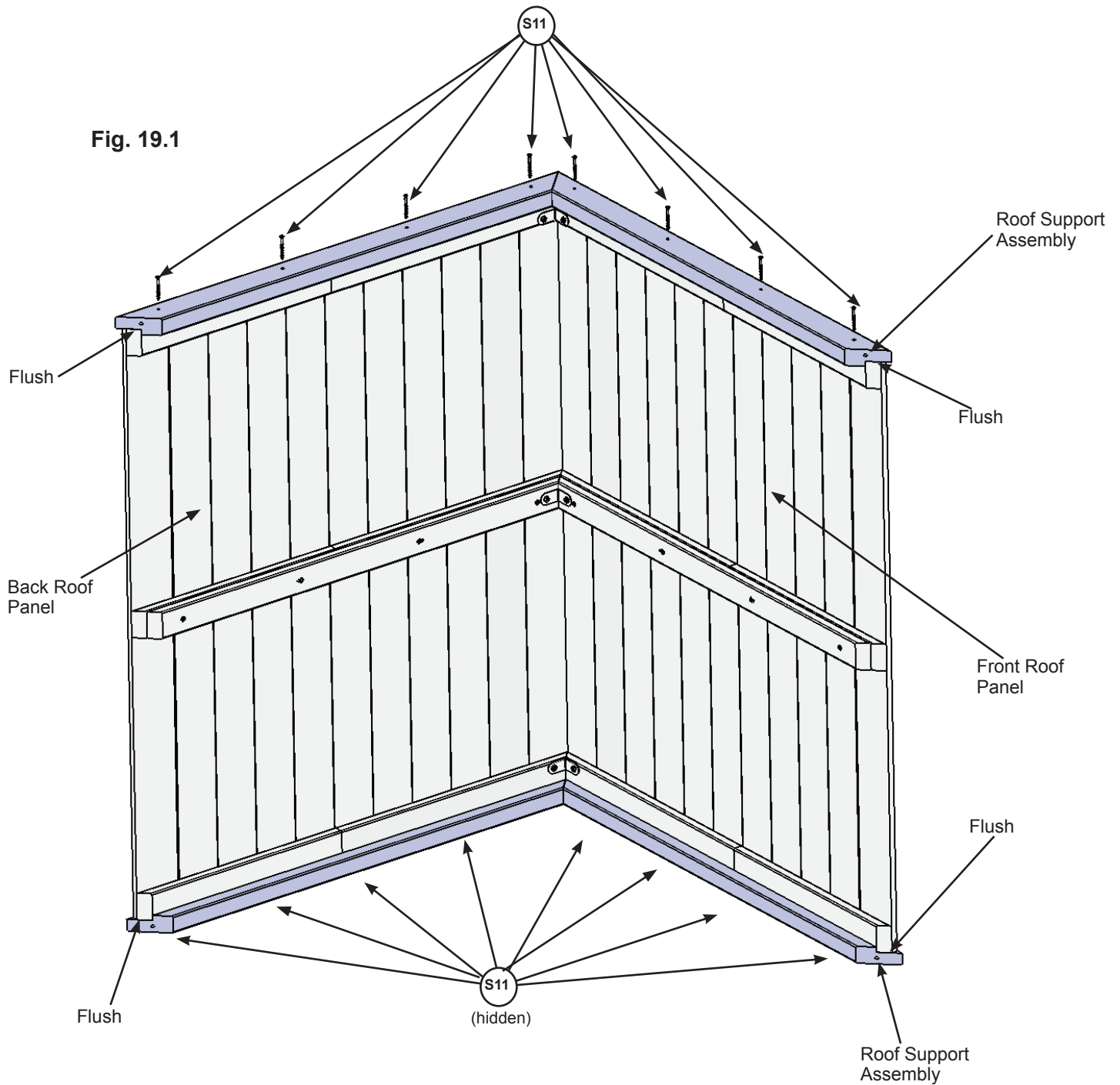
Other Parts

3 x Narrow Angle Bracket

Step 19: Roof Assembly

A: Place 1 Roof Support Assembly against one side so the peaks meet and the ends of the roof supports are flush with the ends of the roof panels. Attach with 8 (S11) Wood Screws. (fig. 19.1)

B: Attach the second Roof Support Assembly on the opposite side, peaks to meet and ends are flush with 8 (S11) Wood Screws. (fig. 19.1)

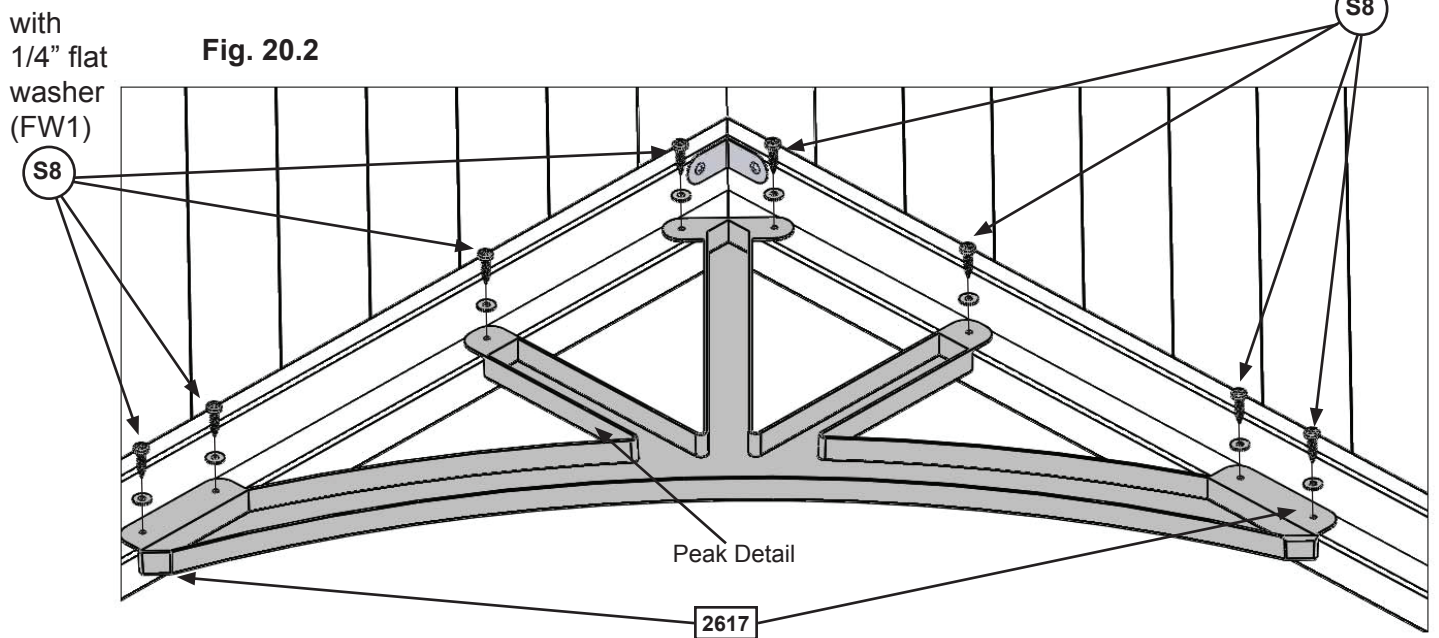
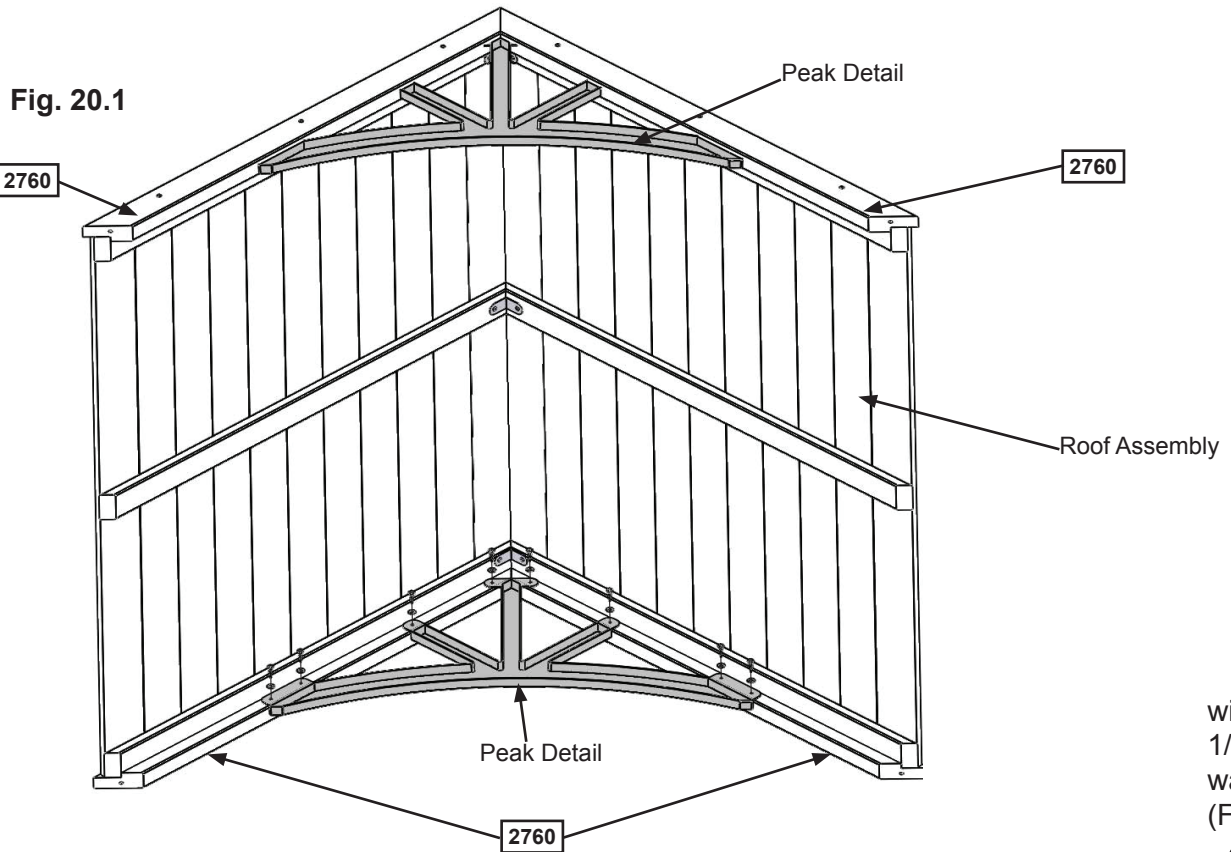


Hardware

16 x (S11) Wood Screw

Step 20: Attach Peak Detail

A: Attach 1 Peak Detail to the inside of the (2760) Roof Supports on each side of the Roof Assembly with 8 (S8) Pan Screws (with 1/4" flat washer) per Peak Detail. (fig. 20.1 and 20.2)



Hardware

16 x **S8** Pan Screw
(1/4" flat washer)(FW1)

Other Parts

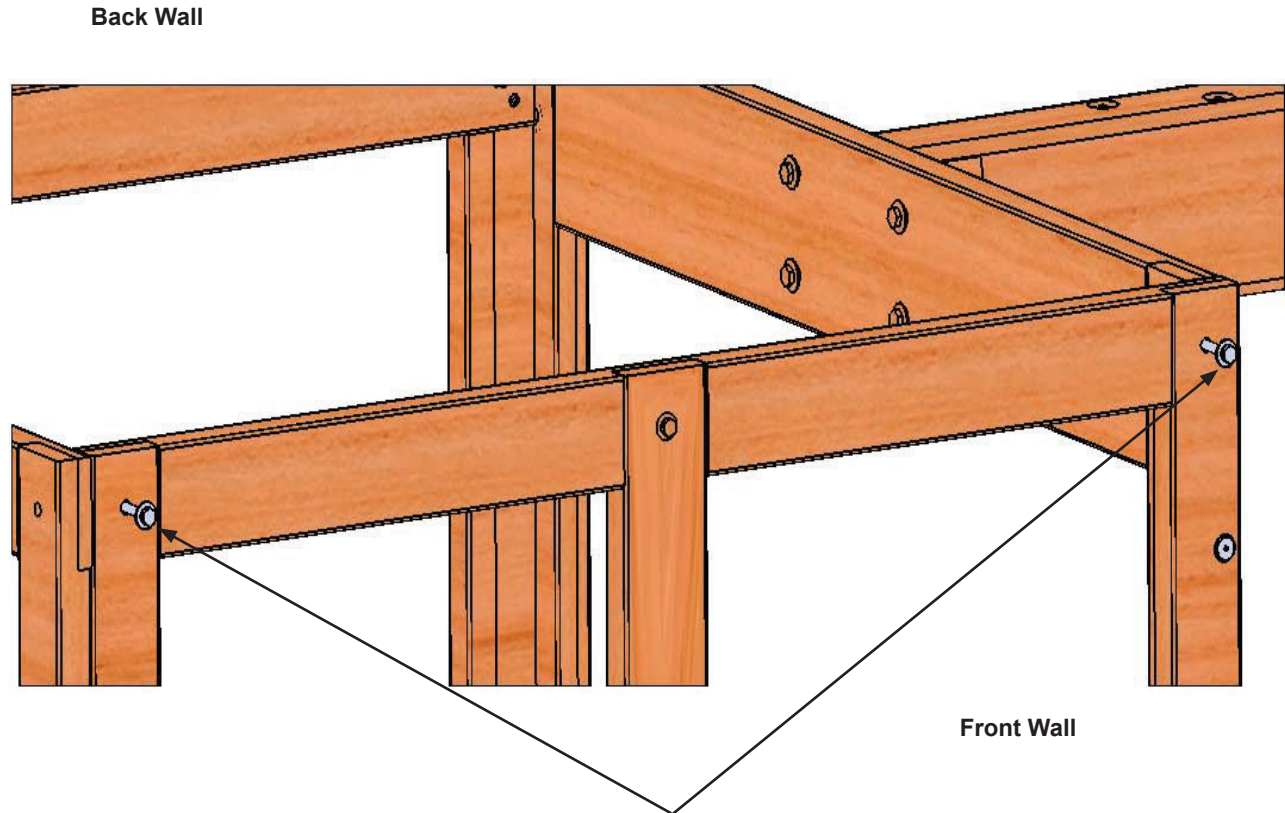
2 x Peak Detail

Step 21: Attach Roof Ends Part 1



A: On the Front and Back Walls remove the 2 outside (H9) Hex Bolts attached at the top of the assembly from Step 1, Part 2. Leave the (TN1) T-nuts in. The (FW1) Flat Washers and (LW1) Lock Washers will be used in Step B. (fig. 21.1)

Fig. 21.1



Remove these bolts on both Front and Back Walls, keeping lock washers and flat washers for next step. Do not remove the t-nuts.

Step 21: Attach Roof Ends Part 2



B: Loosely attach 1 (2759) Roof End to each corner, flush to the top of (2775) Panel Cross Supports, with 1 (H3) Hex Bolt per board, using the (FW1) Flat Washer and (LW1) Lock Washer from Step A and connecting to the (TN1) T-nut. Notice which bolt holes are to be used. (fig. 21.2, 21.3, 21.4 and 21.5)

Fig. 21.2

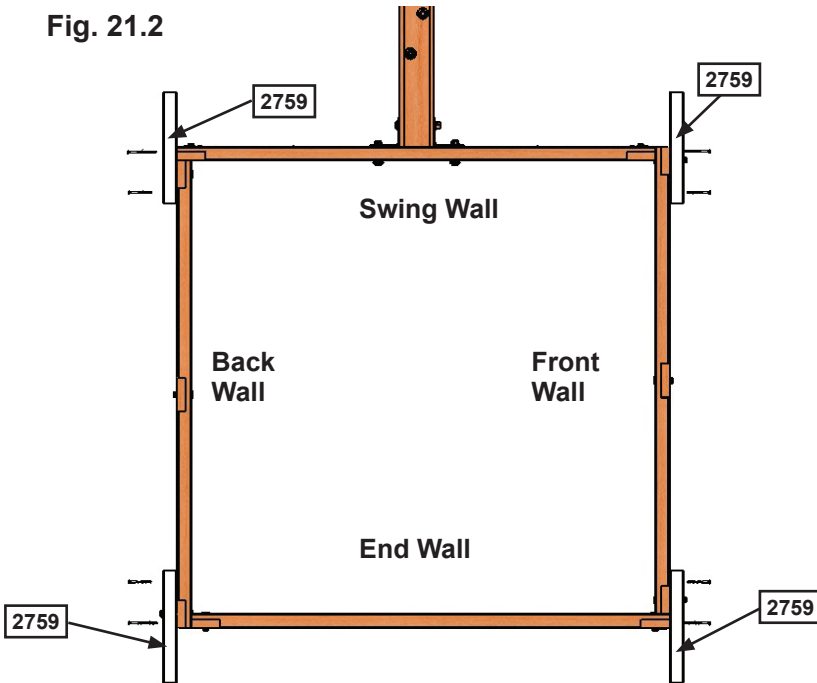


Fig. 21.3

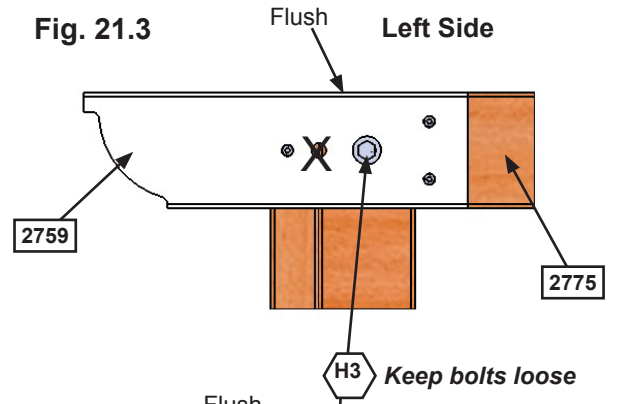


Fig. 21.4

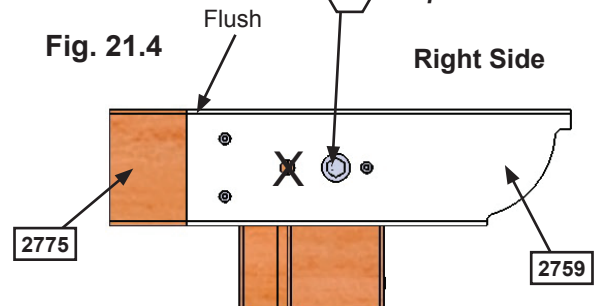
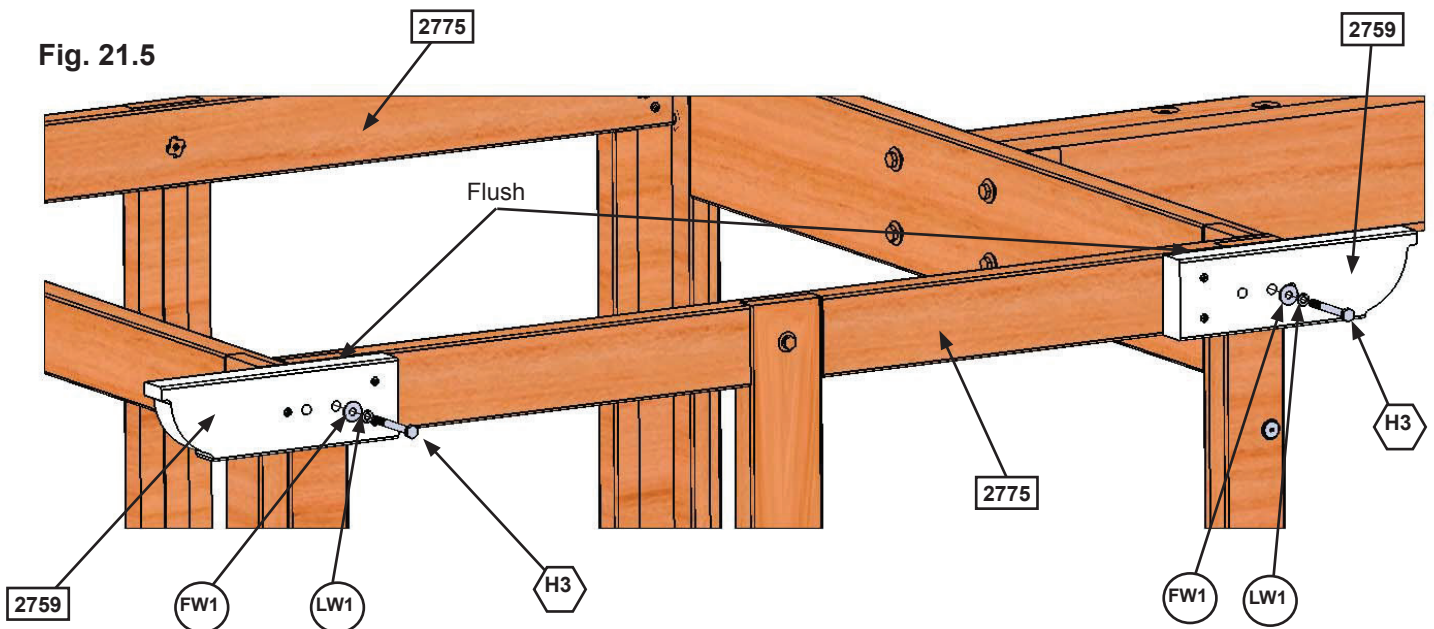


Fig. 21.5



Wood Parts

4 x 2759 Roof End

Hardware

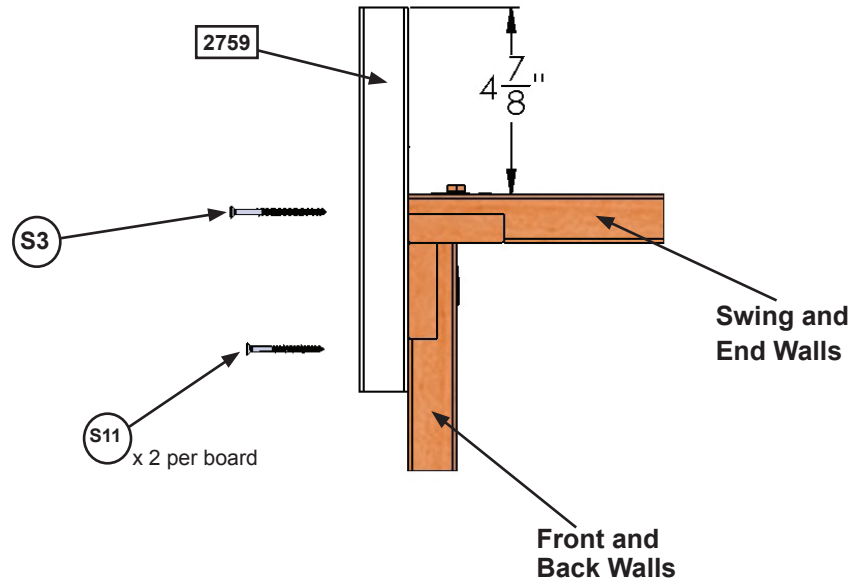
4 x H3 Hex Bolt

Step 22: Fasten Roof Ends

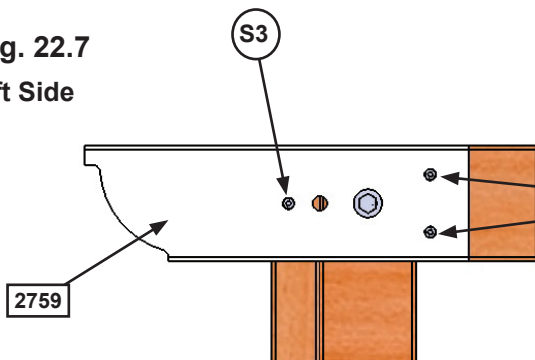


C: Measure overhang so it is 4-7/8" then attach with 2 (S11) Wood Screws and 1 (S3) Wood Screw per (2759) Roof End. Tighten the bolts. (fig. 22.6, 22.7 and 22.8)

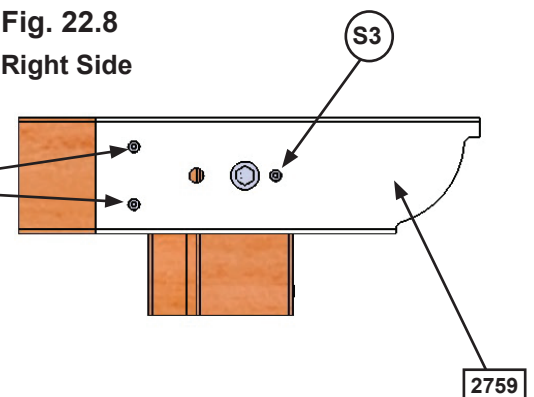
**Fig. 22.6
Top View**



**Fig. 22.7
Left Side**



**Fig. 22.8
Right Side**



Hardware

- 4 x (S3) Wood Screw
- 8 x (S11) Wood Screw

Step 23: Attach Roof Assembly to Fort



A: With 2 people on the ground and at least 1 person in the fort, lift the Roof Assembly up and over the Back side of the fort. Guide the Roof Assembly onto the fort so all four (2617) Roof Supports sit flush to the front and outside edges of (2759) Roof End. (fig. 23.1, 23.2 and 23.3)

B: Attach (2617) Roof Supports to (2759) Roof End with 1 (S3) Wood Screw per support. (fig. 23.1, 23.2 and 23.3)

Fig. 23.1

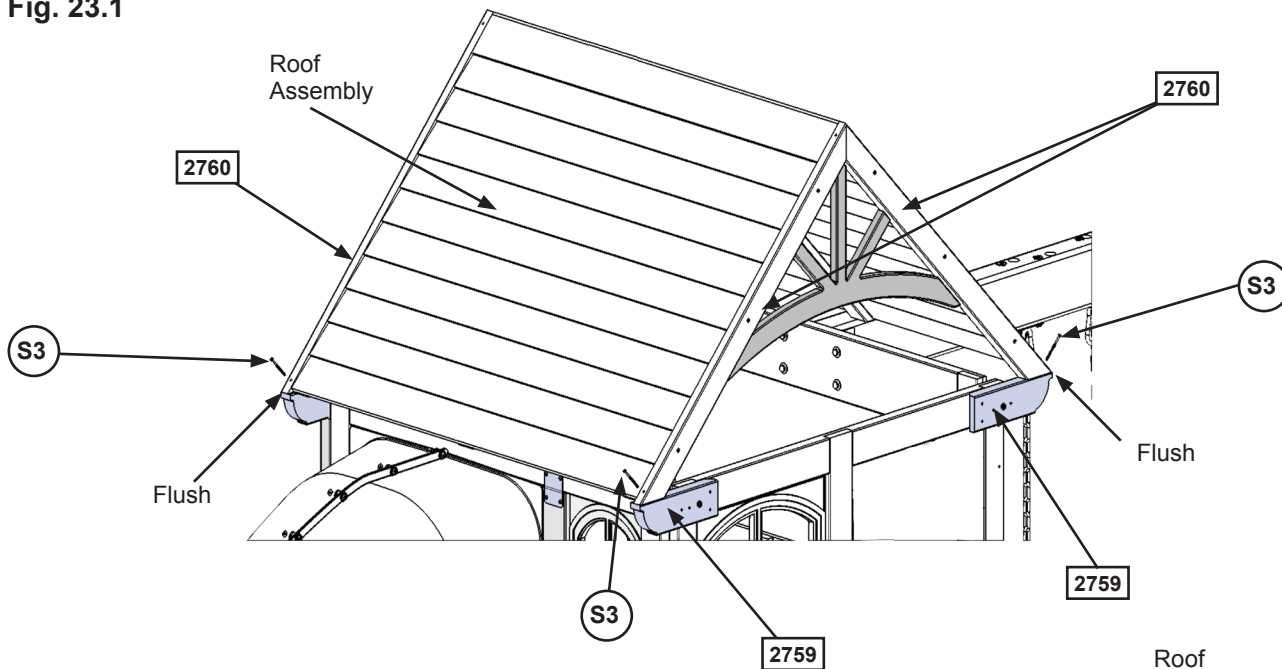


Fig. 23.2

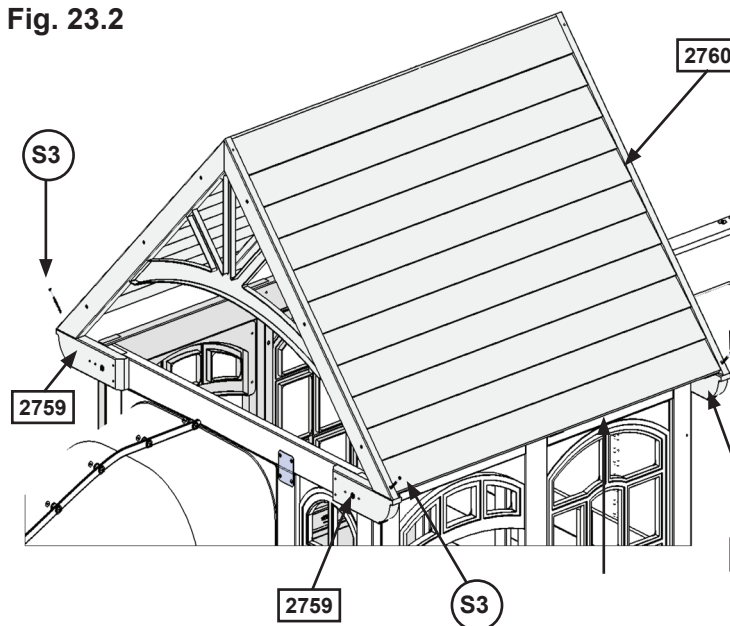
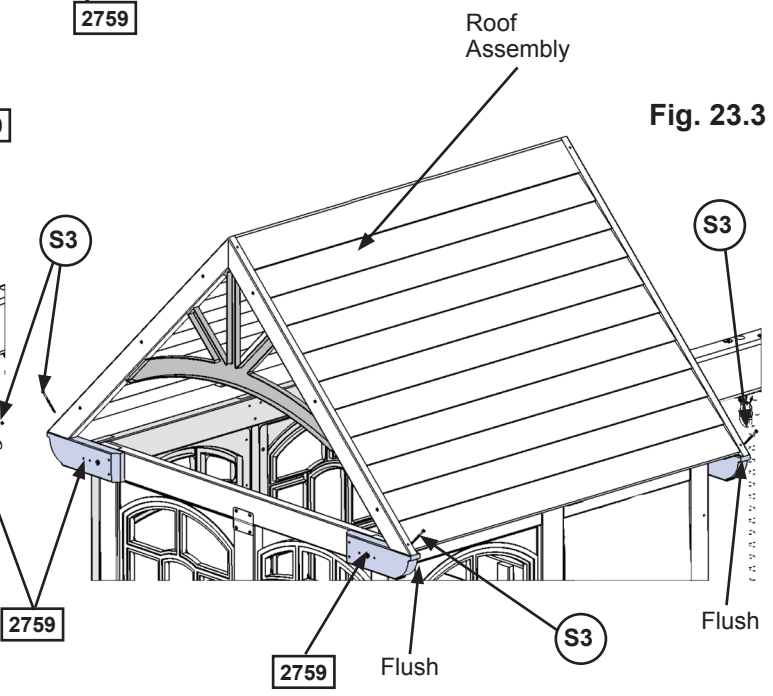


Fig. 23.3



Hardware

4 x **S3** Wood Screw

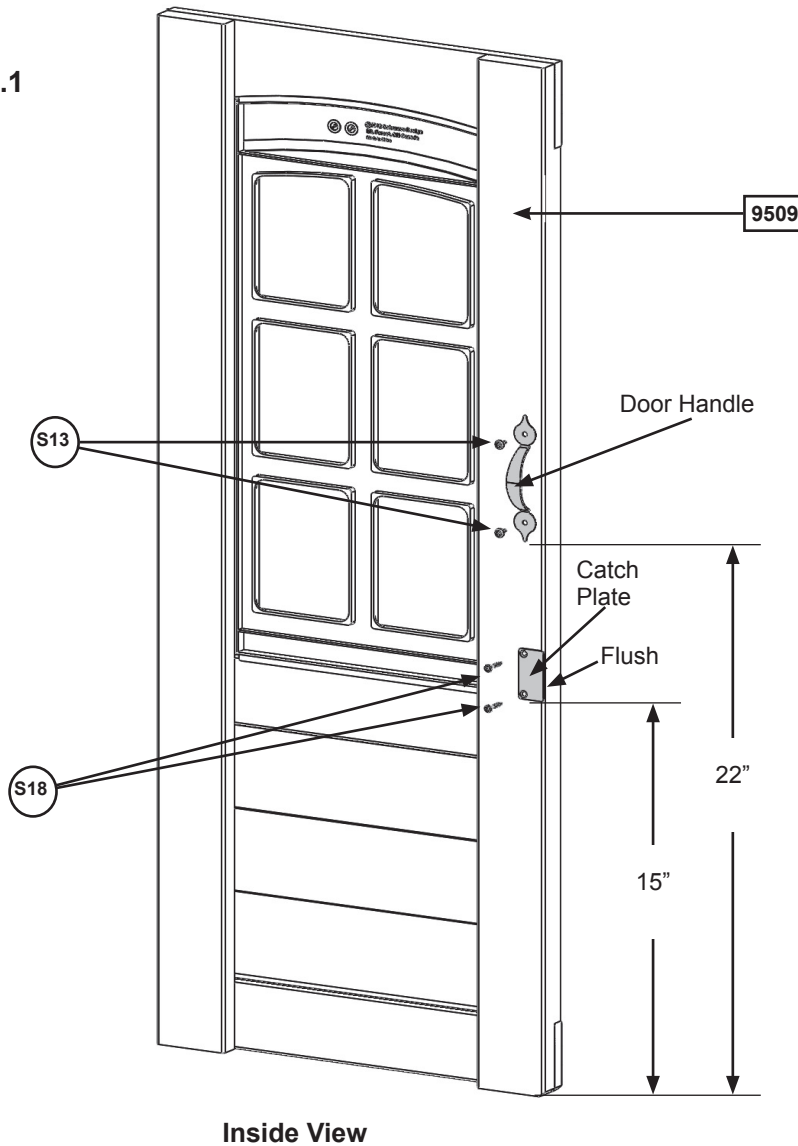
Step 24: Attach Door Components Part 1



A: On the inside of (9509) Door Window Panel measure 15" up from the bottom and attach Catch Plate flush to the edge using 2 (S18) Wood Screws. (fig. 24.1)

B: On the inside of (9509) Door Window Panel measure 22" up from the bottom and attach 1 Door Handle using 2 (S13) Pan Screws. (fig. 24.1)

Fig. 24.1



Wood Parts

1 x 9509 Door Window Panel

Hardware

2 x S18 Wood Screw

2 x S13 Pan Screw

Other Parts

1 x Door Handle

1 x Catch Plate

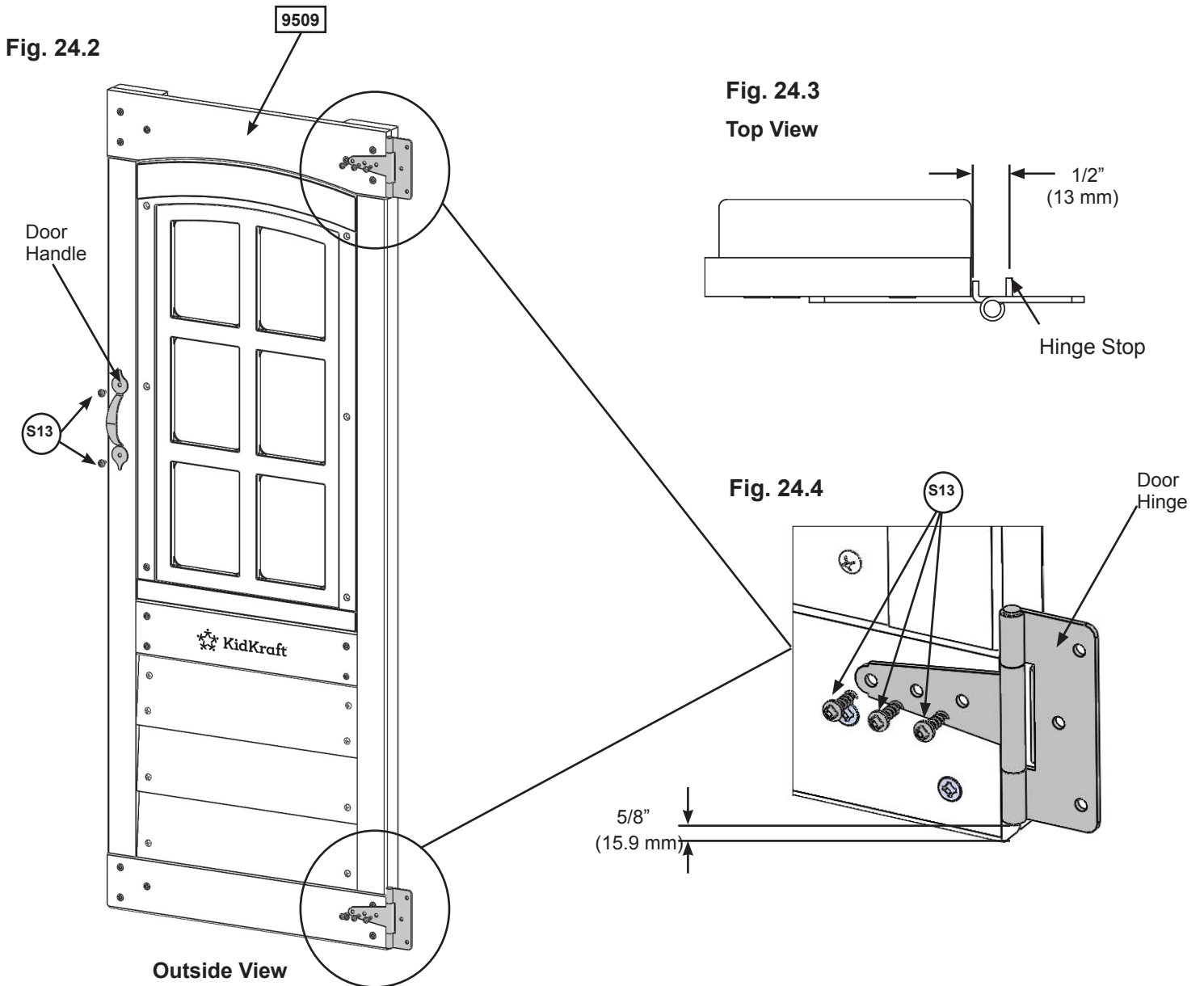
Step 24: Attach Door Components Part 2



C: On the outside of the (9509) Door Window Panel attach the second Door Handle at approximately the same place as the one on the inside. Use 2 (S13) Pan Screws. (fig. 24.2)

D: On the opposite side of the Door Handle measure 5/8" (15.9 mm) from the top and bottom of (9509) Door Window Panel attach 2 Door Hinges on the outside using 3 (S13) Pan Screws per Hinge. (fig. 24.2 and 24.4)

Note: Hinge stops must be tight to (9509) Door Window Panel. (fig. 24.3)



Hardware
8 x S13 Pan Screw

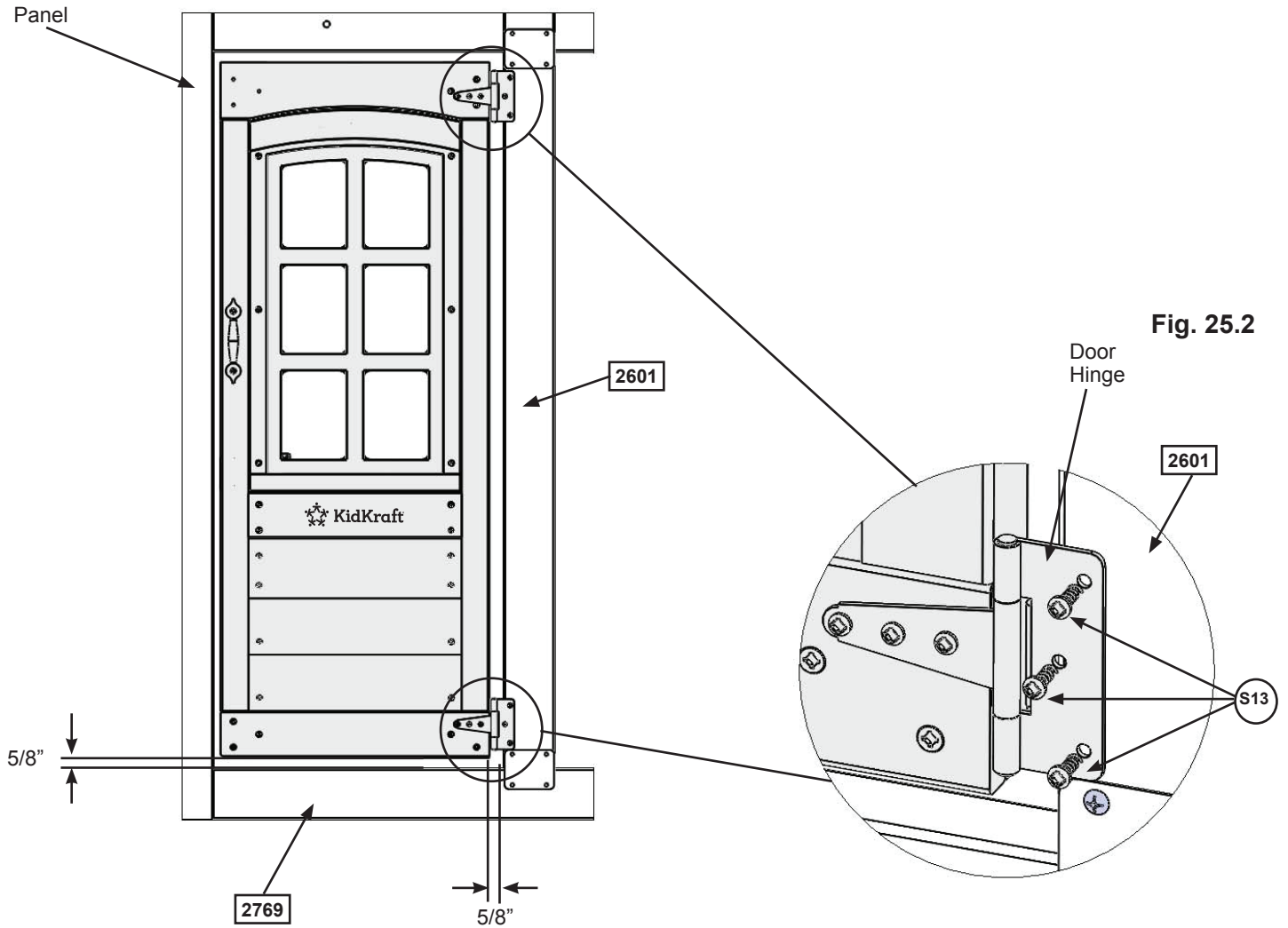
Other Parts
1 x Door Handle
2 x Door Hinge

Step 25: Attach Door Assembly to Fort



A: In the opening for the door on the Front Wall as shown in the Fort Guide, measure $5/8$ " up from (2769) Panel BT Frame and maximum $5/8$ " from (2601) Lower Jamb and attach the remaining side of the hinges to (2601) Lower Jamb using 3 (S13) Pan Screws per hinge. (fig. 25.1 and 25.2)

Fig. 25.1
Outside View



Hardware

6 x (S13) Pan Screw

Step 26: Attach Door Stop



A: In the notched out opening of (2715) Door Stop attach the Magnetic Catch using 2 (S18) Wood Screws. (fig. 26.1) **Important:** Use a hand held screw driver and **DO NOT** over tighten.

B: On the inside of the assembly, attach (2715) Door Stop to the panel with 3 (S11) Wood Screws, making sure (2715) Door Stop overhangs the panel by 1-1/4" and is in position to receive the Catch Plate. (fig. 26.2 and 26.3).

Fig. 26.2
Inside View

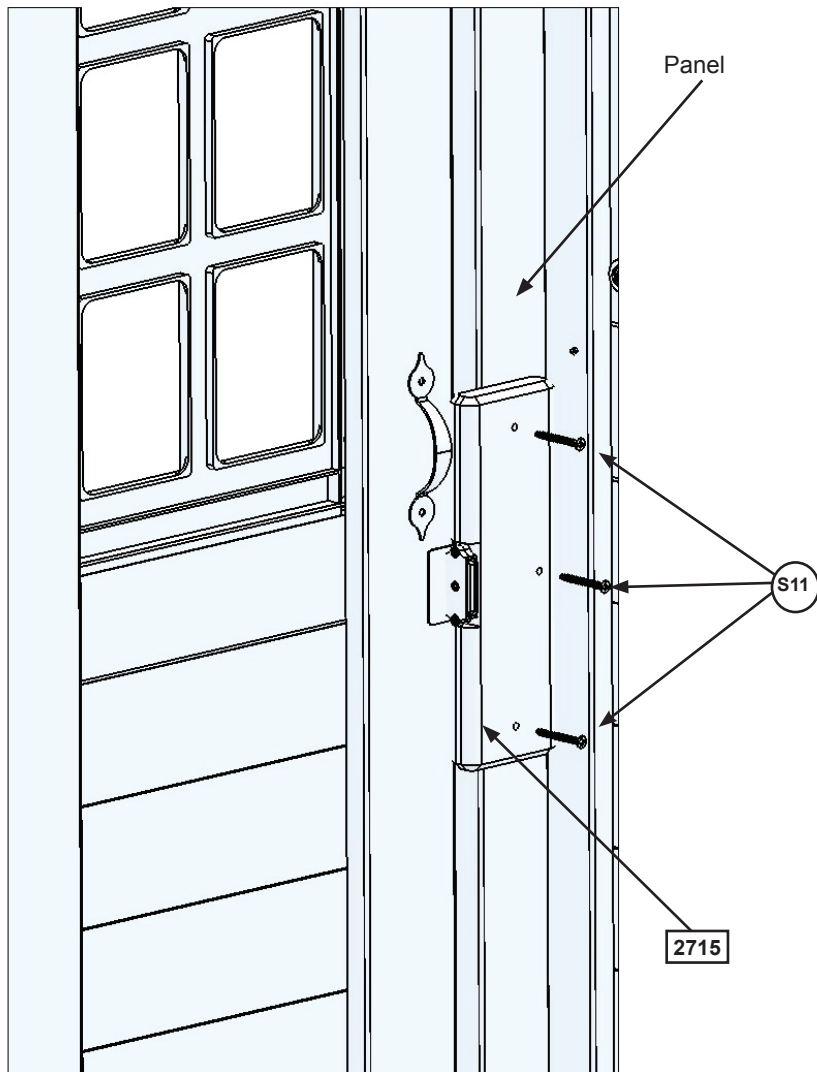


Fig. 26.1

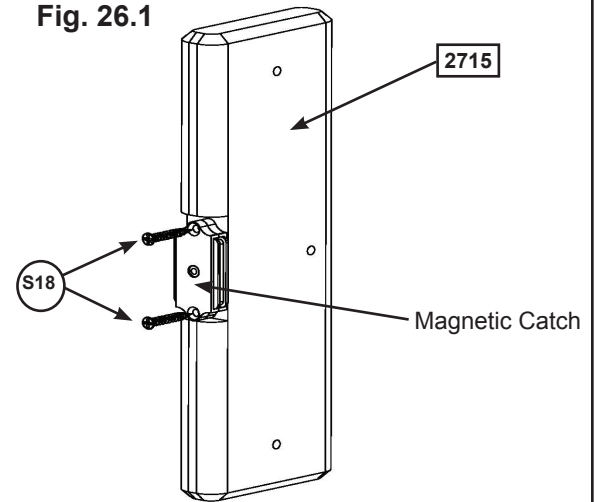
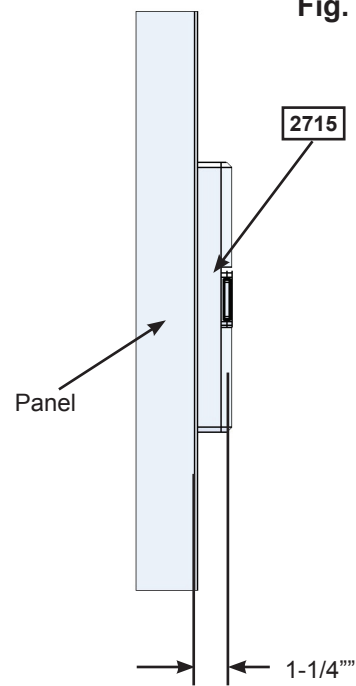


Fig. 26.3



Wood Parts

1 x 2715 Door Stop

Hardware

2 x S18 Wood Screw

3 x S11 Wood Screw

Other Parts

1 x Magnetic Catch

Step 27: Attach Slide to Fort



A: Place Slide in the centre of the opening at the front of the fort as shown in the Fort Guide, pre-drill with a 1/8" (3.2 mm) drill bit then attach slide to fort through the (2772) Panel Floor Support using 3 (S7) Pan Screws. (fig. 27.1 and 27.2)

Fig. 27.1

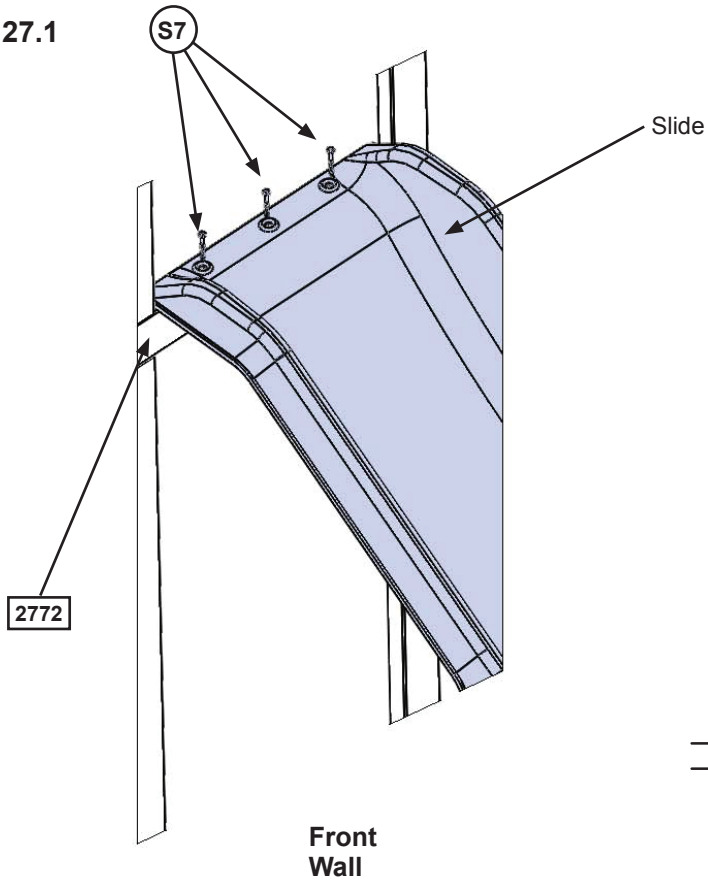
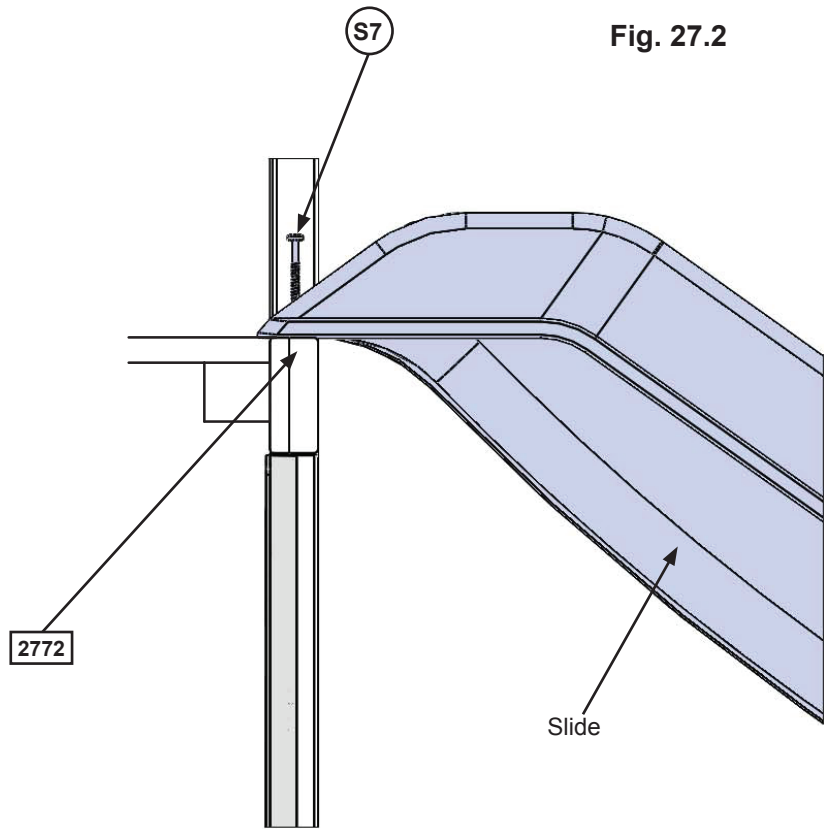


Fig. 27.2



Hardware

3 x (S7) Pan Screw

Other Parts

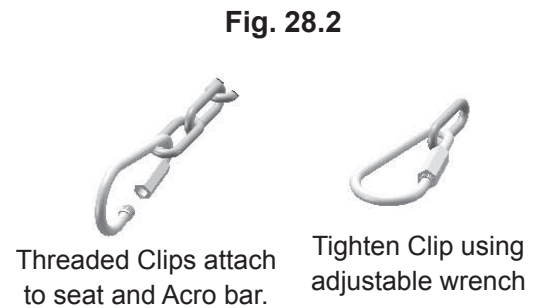
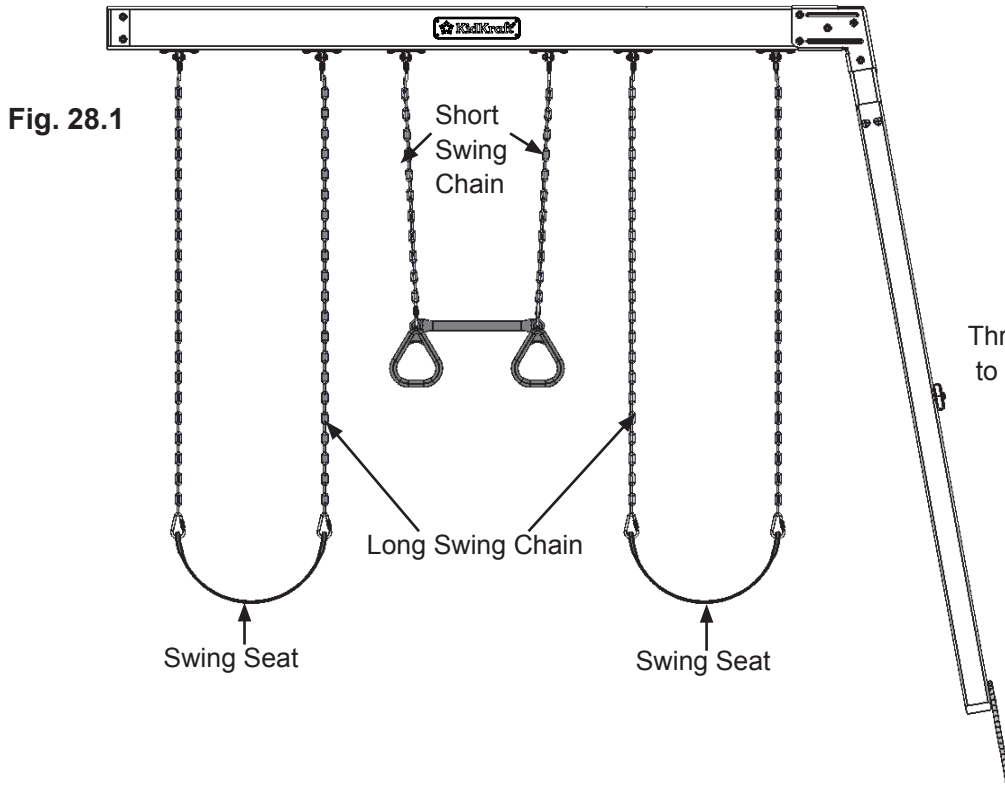
1 x Slide

Step 28: Attach Acro and Belt Swings

A: Using 1 Threaded Clip per chain, join 1 Long Swing Chain to each side of the swing belt seat. Make sure to close the Threaded Clip tightly using an adjustable wrench. (fig. 28.1 and 28.2).

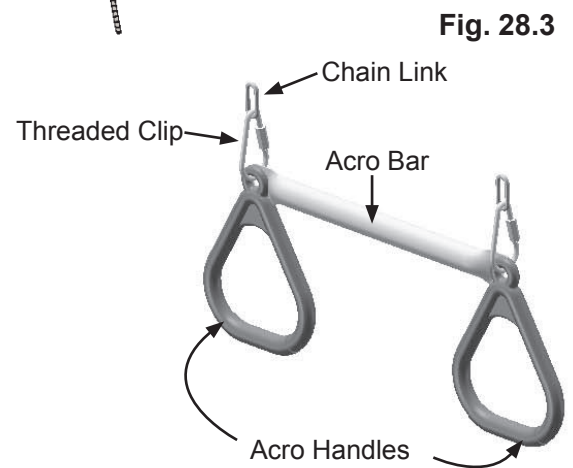
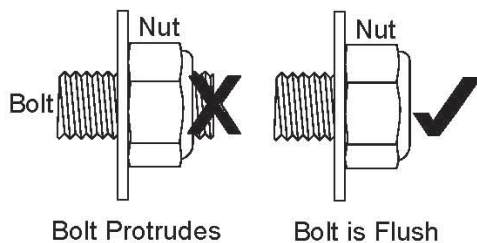
B: Using 1 Threaded Clip per chain, join the Short Swing Chain to the Acro Bar and Acro Handle. Make sure to close the Threaded Clip tightly using an adjustable wrench. (fig. 28.2 and 28.3)

C: Attach the other end of the swing chains to the Quick Clips attached to the swing hangers and make sure all Quick Links are tightened. (fig. 28.1)



Warning! Check entire play centre for bolts protruding beyond t-nuts. Use extra washers to eliminate this condition.

Bolt must not exceed 1/2 thread past the nut



Other Parts

- 1 x Acro Bar
- 2 x Acro Handle
- 2 x Swing Belt Seat
- 2 x Short Swing Chain
- 4 x Long Swing Chain
- 1 x Quick Link with Thread (6pk)

Step 29: Attach Slide Wall Inserts

A: In the narrow opening of the End Wall (Upper Jamb should already be installed), place the MOD Side Lite from inside the assembly then attach to the wall and (2602) Upper Jamb with 14 (S0) Truss Screws. (fig. 29.1 and 29.2)

B: In the wider opening of the End Wall tight to (2768) Panel Floor place (8935) Lower SL Insert from inside the assembly then attach to the wall and (2602) Upper Jamb with 4 (S0) Truss Screws. (fig. 29.1 and 29.2)

Fig. 29.1
Inside View

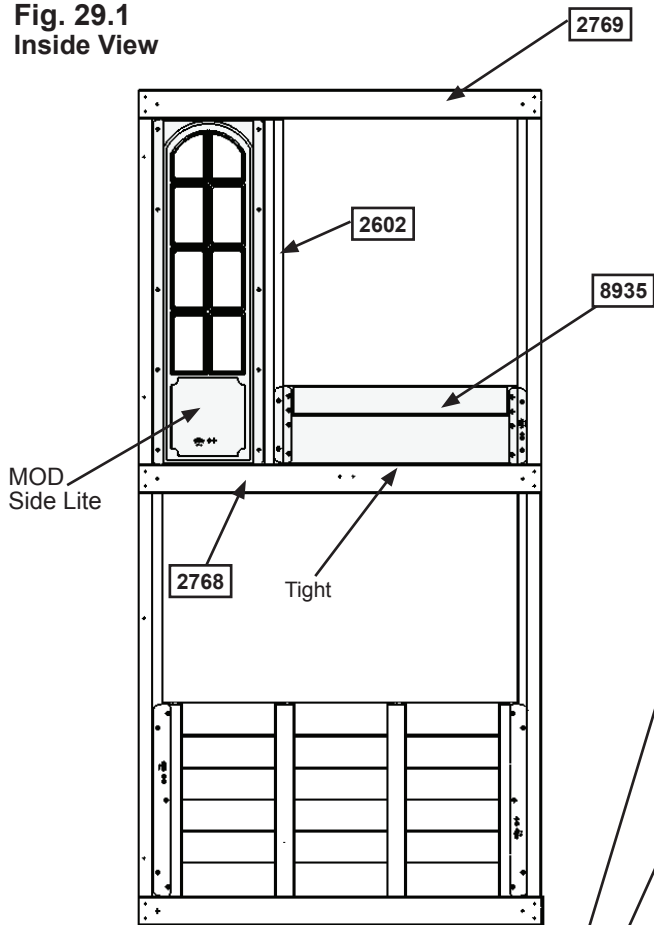
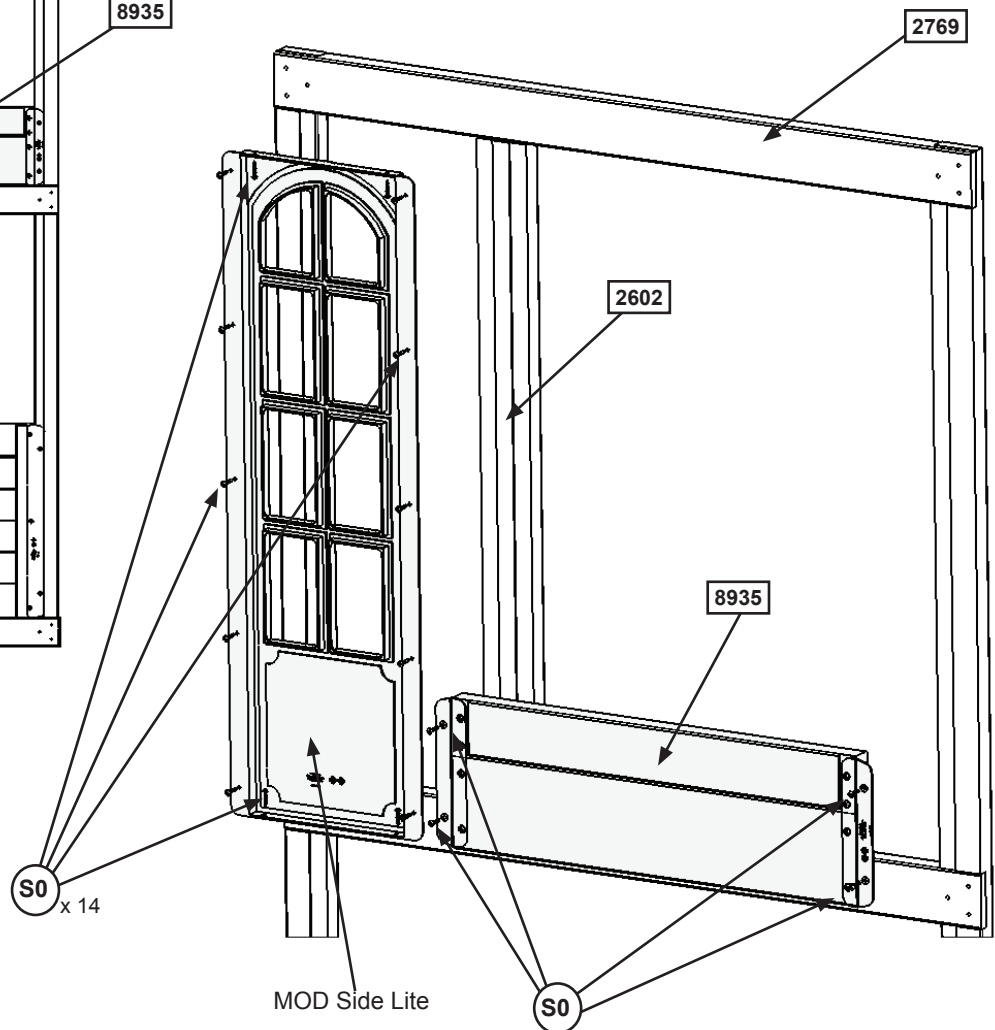


Fig. 29.2
Inside View



Wood Parts

1 x 8935 Lower SL Insert

Hardware

18 x S0 Truss Screw

Other Parts

1 x MOD Side Lite

Step 30: Slide Section Assemblies Part 1



Note: When installing Pan Bolts make sure to look at holes so bolts go through the side with the round recess and the lock nuts go through the side with the hexagonal recess. (fig. 30.3)

A: Fit 2 TNR2 Slide Elbows together and attach with 8 (PB1) Pan Bolts (with lock nut) as shown in fig. 30.1. It is very important to attach bolts as indicated.

B: Repeat Step A 3 more times to create 4 Elbow Sections in total.

C: Attach TNR3 Extend Flange RT and TNR3 Extend Flange LT together using 9 (PB1) Pan Bolts (with lock nut) as shown in fig. 30.2. This creates the Flange Assembly.

Fig. 30.1

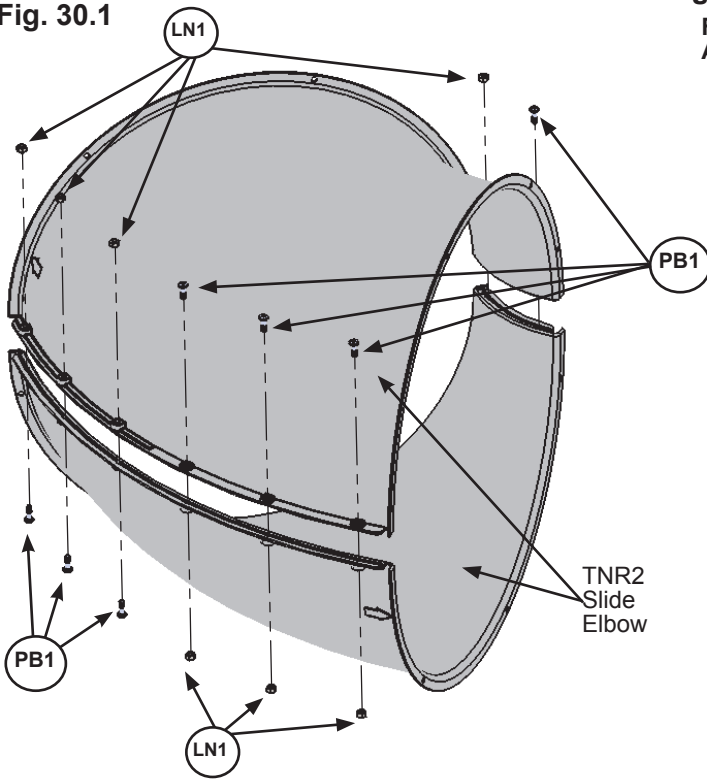


Fig. 30.2

Flange Assembly

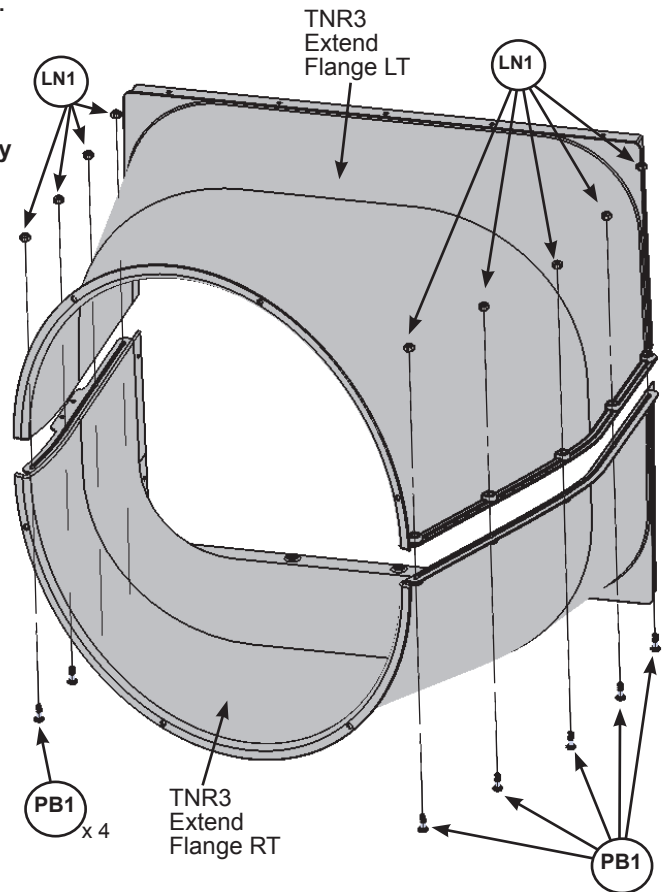
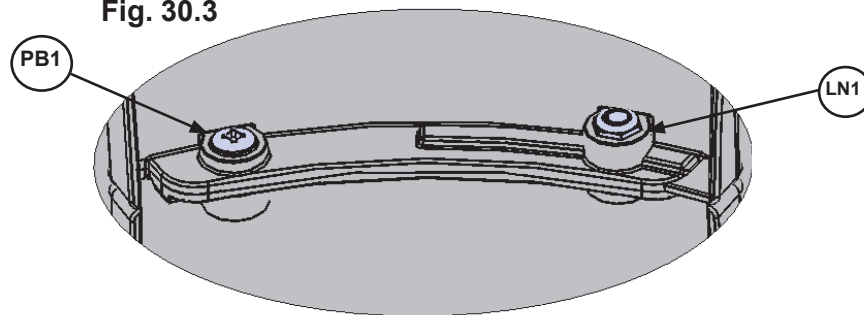


Fig. 30.3



Use a 7/16" open end wrench for nuts

Hardware

41 x (PB1) Pan Bolt (LN1)

Other Parts

1 x TNR3 Extend Flange RT
1 x TNR3 Extend Flange LT
8 x TNR2 Slide Elbow

Step 30: Slide Section Assemblies

Part 2

Note: When installing Pan Bolts make sure to look at holes so bolts go through the side with the round recess and the lock nuts go through the side with the hexagonal recess. (fig. 30.3)

D: Attach TNR2 Slide Exit Top and the remaining TNR2 Slide Elbow together using 8 (PB1) Pan Bolts (with lock nut) as shown in fig. 30.4. It is very important to attach bolts as indicated. This creates the Exit Elbow Assembly.

Fig. 30.4

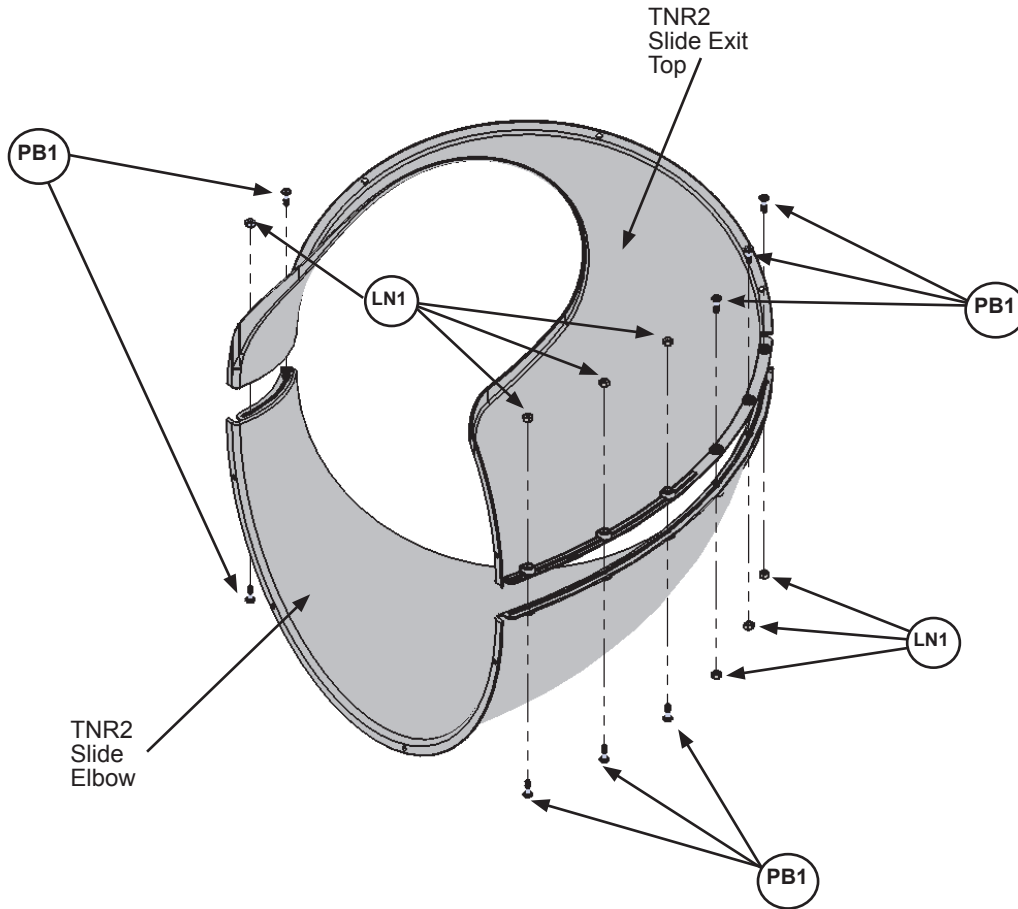
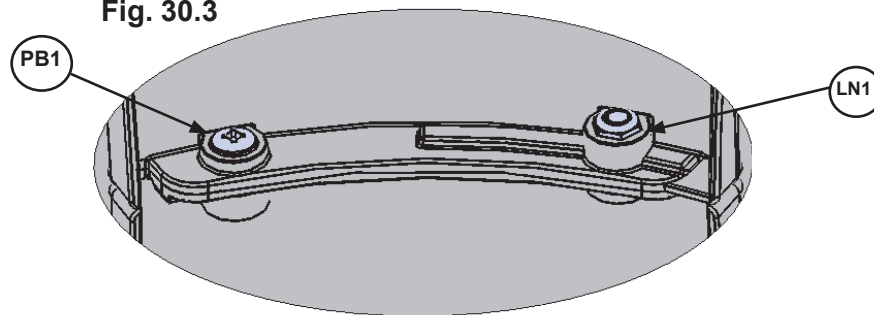


Fig. 30.3



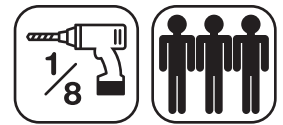
Hardware

8 x  Pan Bolt (LN1)

Other Parts

1 x TNR2 Slide Exit Top
1 x TNR2 Slide Elbow

Step 31: Attach Flange Assembly to Fort Part 1



A: With a helper place the Flange Assembly flush to the top opening in End Wall as shown in fig. 32.1 and the Fort Guide, then pre-drill 1/8" pilot holes in (8935) Lower SL Insert for the 4 bottom mounting locations (approximate spots where circles are on figure), making sure the pre-drilled holes are a minimum of 1" deep. (fig. 31.2)

B: Attach Flange Assembly to (8935) Lower SL Insert using 4 (S7) Pan Screws (with #12 Screw Bezel) in the pre-drilled holes. (fig. 31.2) Make sure the flat surfaces of the Flange Assembly are flush to the End Wall and (2602) Upper Jamb as shown in fig. 31.3.

C: Attach the Flange Assembly flush to bottom of (2769) Panel BT Frame using 4 (S6) Pan Screws (with #12 Screw Bezel) and to (2602) Upper Jamb and side of End Wall using 5 (S6) Pan Screws per side. (fig. 31.2)

Fig. 31.2
Inside View

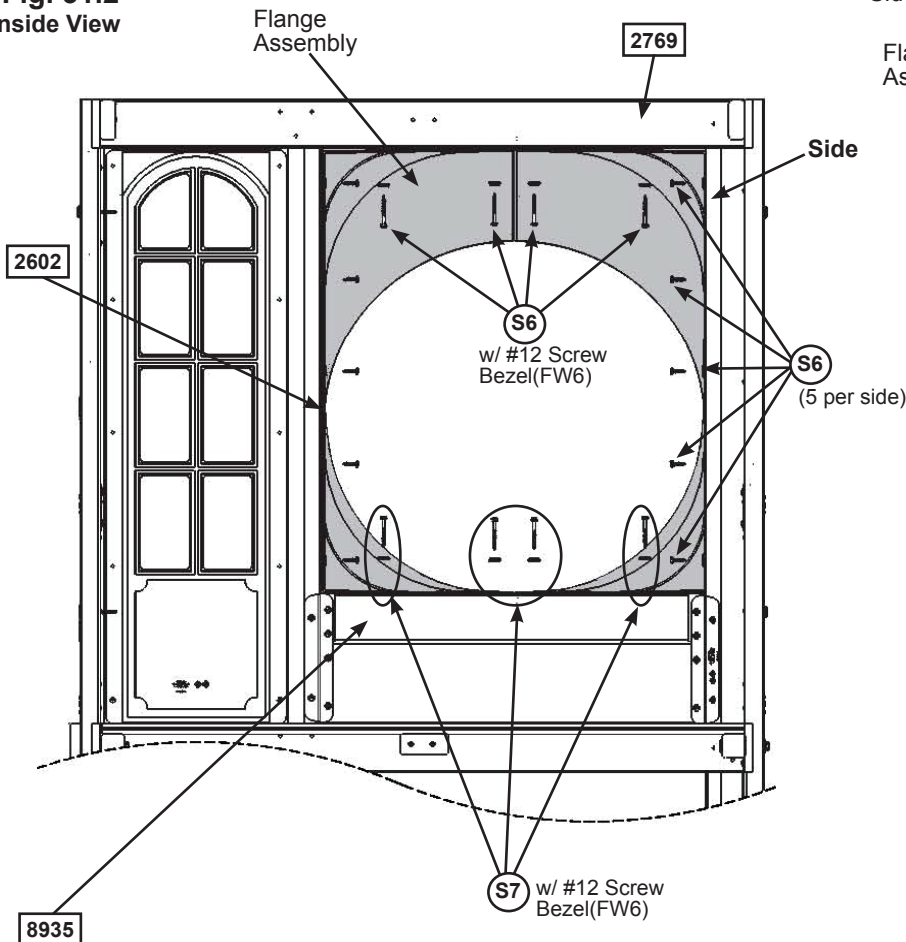


Fig. 31.1
Outside View

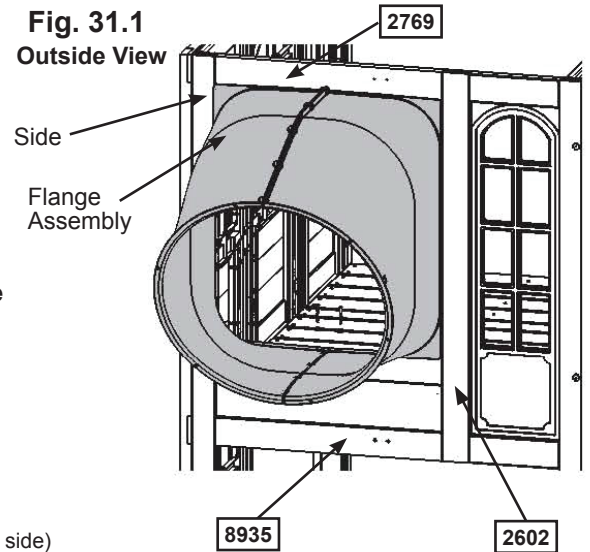
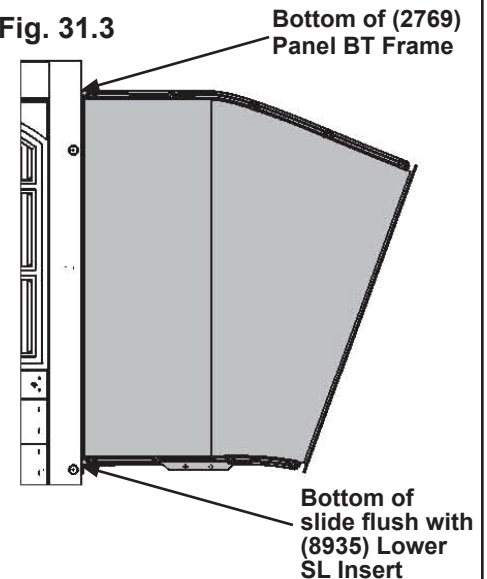


Fig. 31.3



Hardware

- 14 x (S6) Pan Screw
- 4 x (S7) Pan Screw
- 8 x #12 Screw Bezel (FW6)

Step 31: Attach Flange Assembly to Fort Part 2



D: Place (8934) SL Gusset tight to (2768) Panel Floor, flush to the top of the bottom opening and attach to Flange Assembly with 2 (S6) Pan Screws. (fig. 31.4 and 31.5)

E: Pre-drill pilot hole with a 3/16" (4.8 mm) drill bit then attach (8934) SL Gusset to (2768) Panel Floor with 1 (WL5) Wafer Lag (with flat washer). (fig. 31.4 and 31.5)

Fig. 31.4

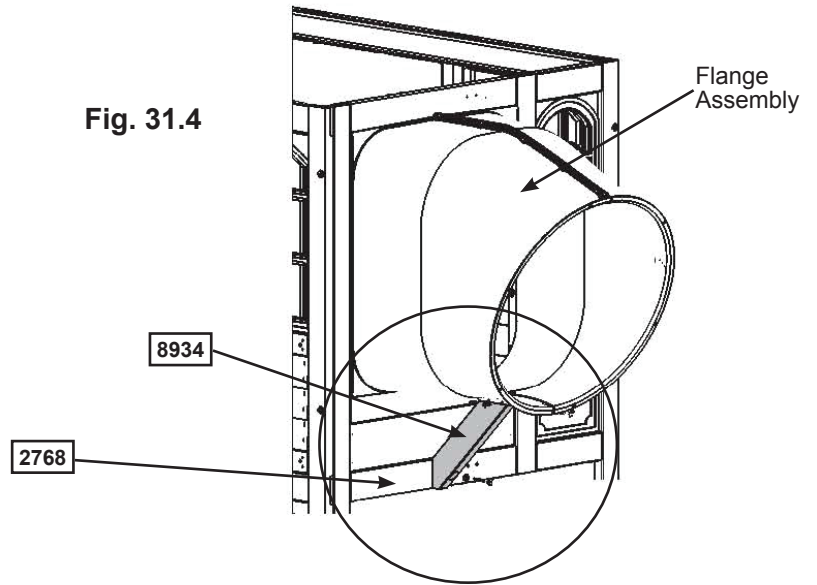
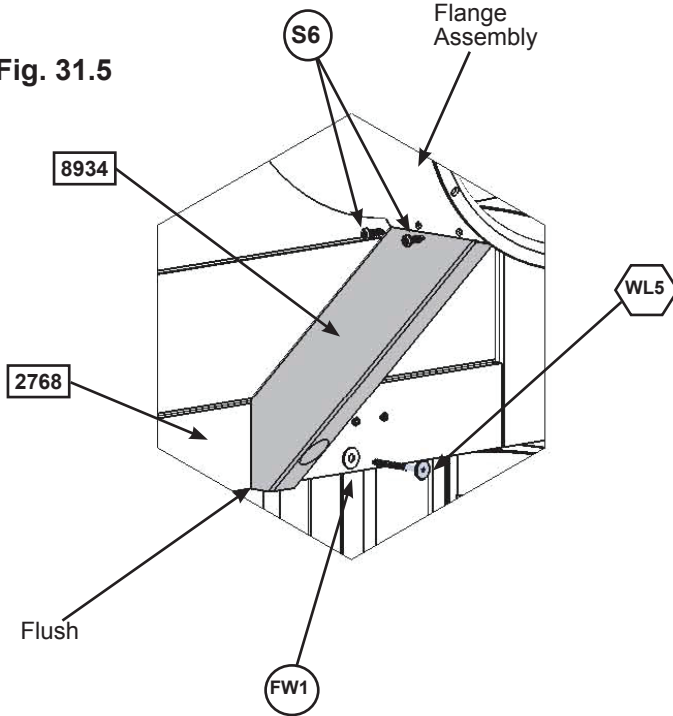


Fig. 31.5



Wood Parts

1 x 8934 SL Gusset

Hardware

2 x S6 Pan Screw

1 x WL5 Wafer Lag (FW1)

Step 32: Attach Elbow Assembly to Flange Assembly



Note: Keep all bolts loose until further step.

A: Fit one of the Elbow Assemblies to the Flange Assembly by lining up the arrows on each assembly. Attach Elbow Assembly to Flange Assembly using 6 1/4 x 12.7mm Pan Bolts and Square Lock Nut. (Fig. 32.2 & 32.3).

B: Attach one of the Elbow assemblies to another Elbow Assembly making sure to line up the arrows on each assembly. Attach using 6 1/4 x 12.7mm Pan Bolts with Square Lock Nut. Repeat this instruction to make 2 more. (Fig. 32.2 & 32.3)

Use Quadrex Driver as a guide pin for each hole before inserting bolt.

Quadrex Driver



Use special driver provided in locations where the curve of the elbow are difficult to reach with a standard driver.

Fig. 32.2

Top Slide Bolt Holes

Fig. 32.1

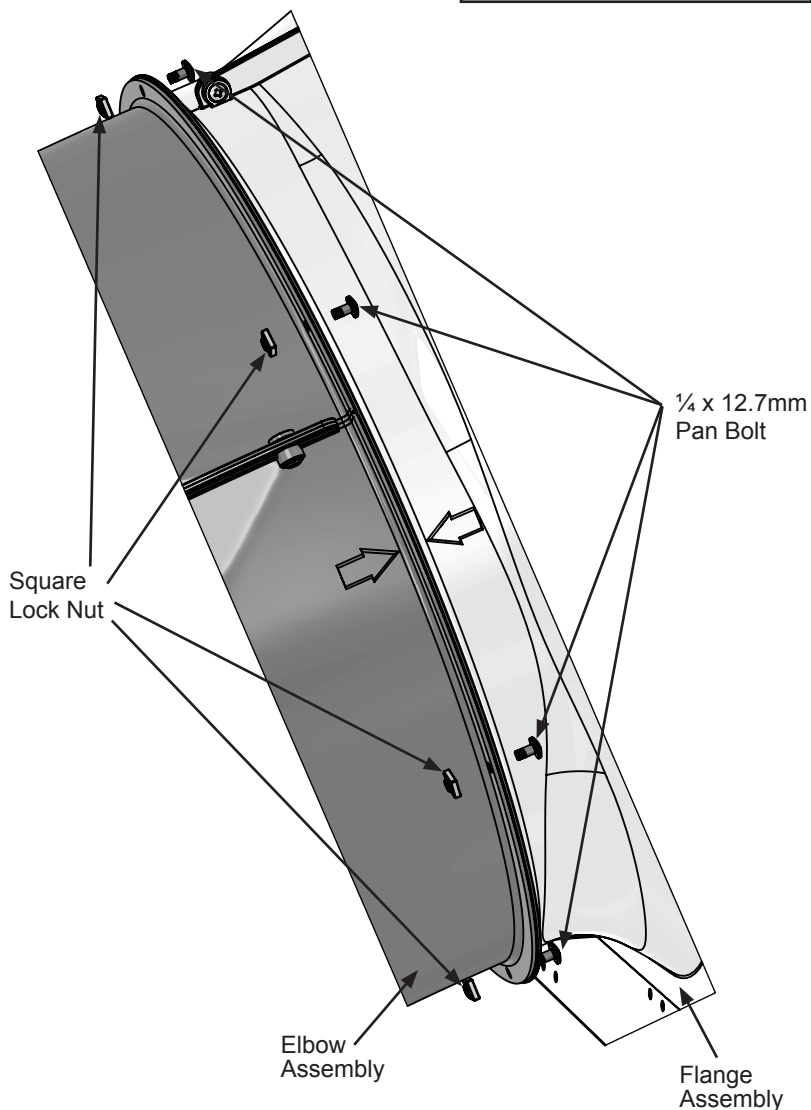
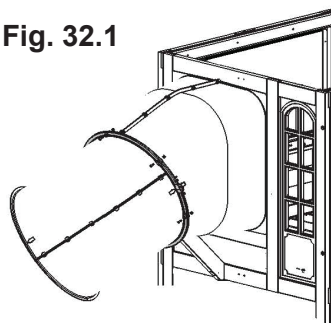
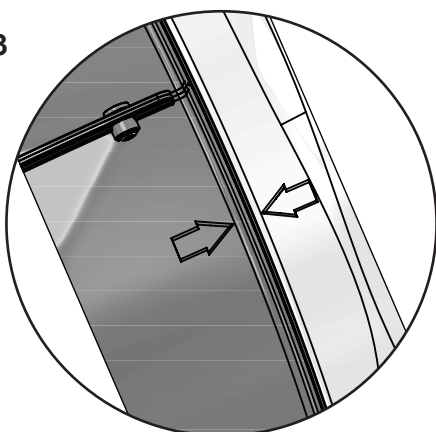


Fig. 32.3



Align each elbow using the molded arrows.

Other Parts

- 1 x Quadrex Driver
- 24 x 1/4 x 12.7mm Pan Bolt
- 24 x 1/4" Square Lock Nut

Step 33: Attach TNR2 Slide Exit to Exit Elbow Assembly



A: Insert flange of Exit Elbow Assembly (slide elbow) into the slots on TNR3 Short Exit. (fig. 33.1)

B: Rotate Slide Exit and use Quadrex Driver as a guide pin so the holes are aligned and attach with 5 (PB1) Pan Bolts (with lock nuts) starting with the bottom middle hole and working up each side. (fig. 33.2 and 33.3)

C: At this point make sure all the slide bolts are tight. **Use a 7/16" (11.1 mm) open end wrench to hold nut and then tighten bolt with Quadrex Driver on Clamp Rings.**

Fig. 33.1

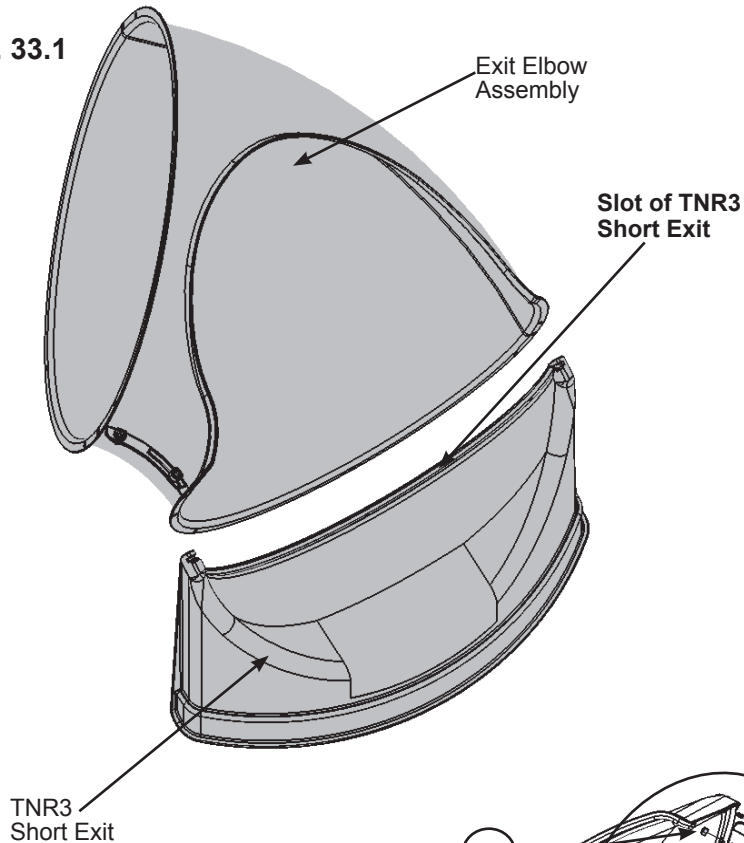


Fig. 33.3

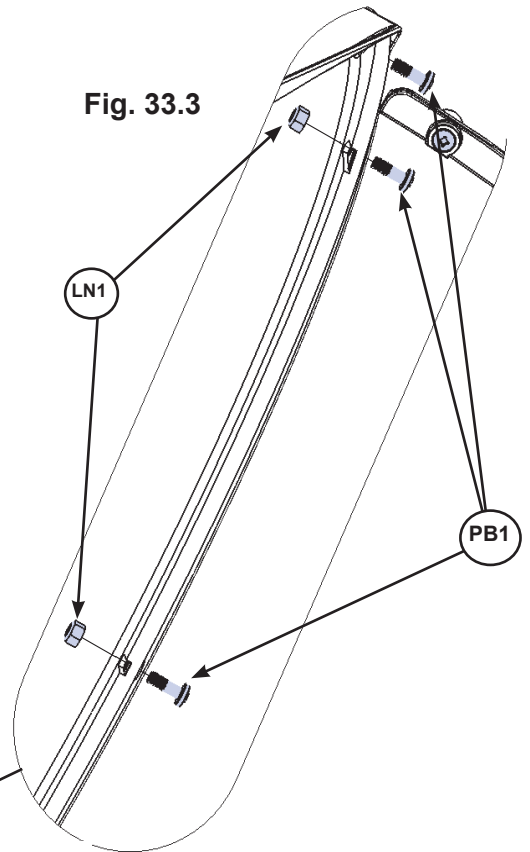
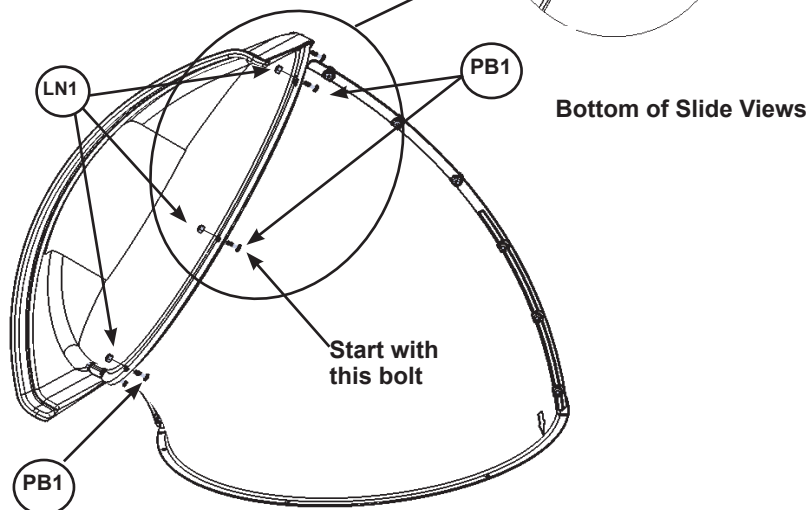


Fig. 33.2



Hardware

5 x  Pan Bolt (LN1)

Other Parts

1 x TNR3 Short Exit

Step 34: Attach Exit End Assembly to Fort

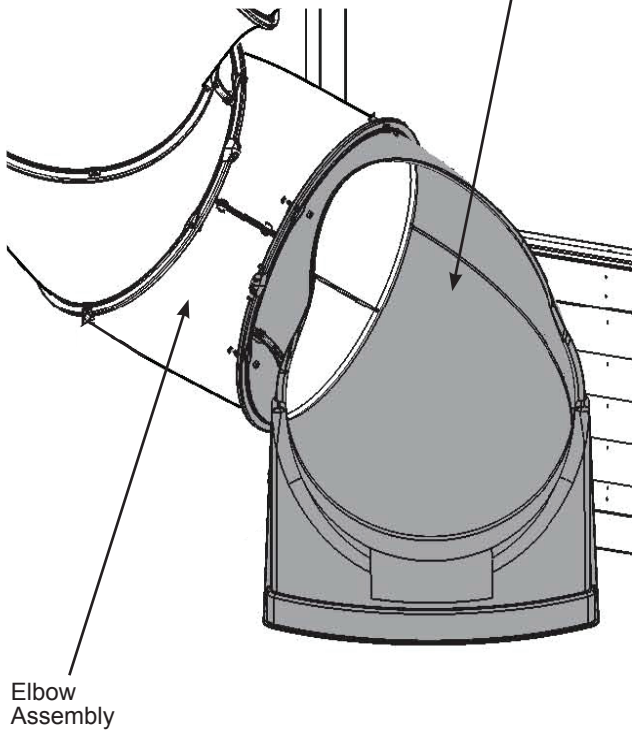


A: Fit the Exit End Assembly to the last Elbow Assembly by lining up the arrows on each assembly. Notice the elbow orientation. (fig. 34.1). Attach with 6 (1/4" x 12.7 mm) Pan Bolts and Square Lock Nuts. (fig. 34.2)

Fig. 34.1

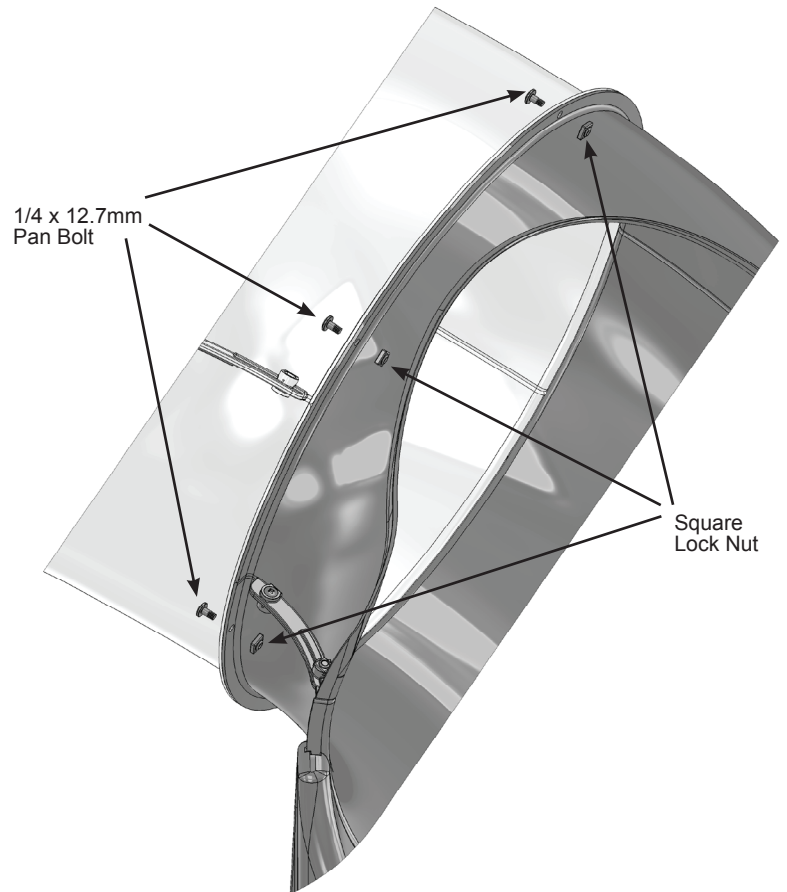
Top Slide Bolt Holes

Exit Elbow Assembly



Make sure arrows are aligned

Fig. 34.2



Other Parts

- 6 x 1/4" x 12.7mm Pan Bolt
- 6 x 1/4" Square Lock Nut

Step 35: Attach TNR 4 Clamp Rings



A: Place 2 TNR4 Clamp Rings around each joint making sure to match the arrows with the end of the Clamp Ring as shown in (fig. 35.1 & 35.2).

B: Connect TNR4 Clamp Rings in 2 spots using 1 (PB6) ¼ x 1" Pan Bolt (with lock nut) per side. (fig.35.3)

Note: When installing Pan Bolts make sure to look at holes so bolts go through the side with the round recess and the lock nuts go through the side with the hexagonal recess.

Fig. 35.1

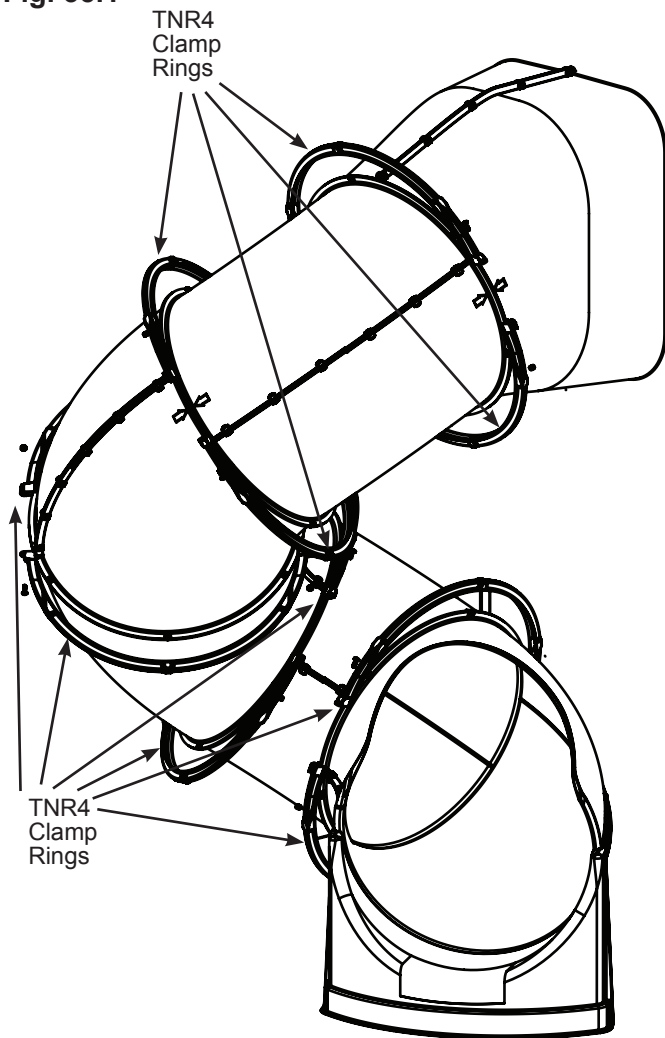
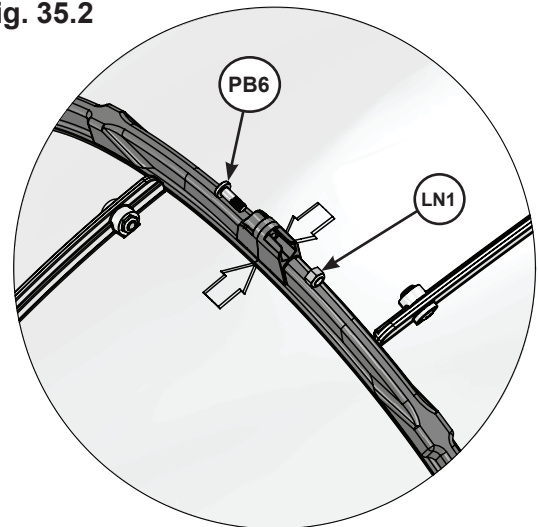
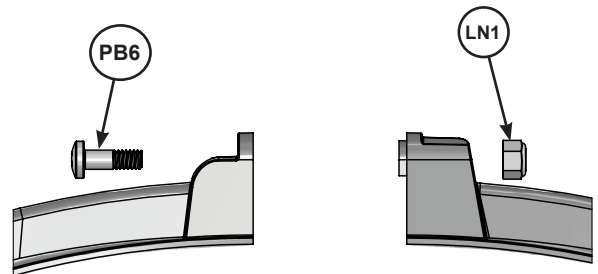


Fig. 35.2




Make sure arrows are aligned

Fig. 35.3



After the clamp rings are attached to the elbows, fasten them end to end with two pan bolts and lock nuts

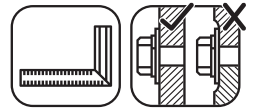
Hardware

10 x  1/4 x 1" Pan Bolt (LN1)

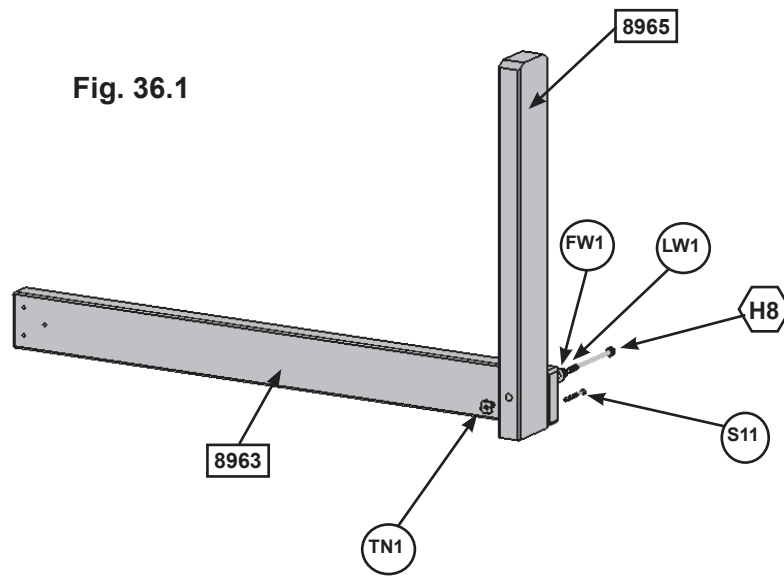
Other Parts

10 x TNR4 Clamp Ring

Step 36: TNR Brace Assembly



A: Attach (8965) TNR Upright to (8963) TNR Ground Brace with 1 (H8) Hex Bolt (with lock washer, flat washer and t-nut) in the top hole. Make sure both boards are square then attach with 1 (S11) Wood Screw. (fig. 36.1)



Wood Parts

- 1 x TNR Ground Brace
- 1 x TNR Upright

Hardware

- 1 x Wood Screw
- 1 x Hex Bolt (LW1, FW1, TN1)

Step 37: Attach TNR 4 Slide to Adventure Tower



A: Place TNR Brace Assembly against (2771) End Post Left so it sits under the slide. It is not attached yet. (fig. 37.1)

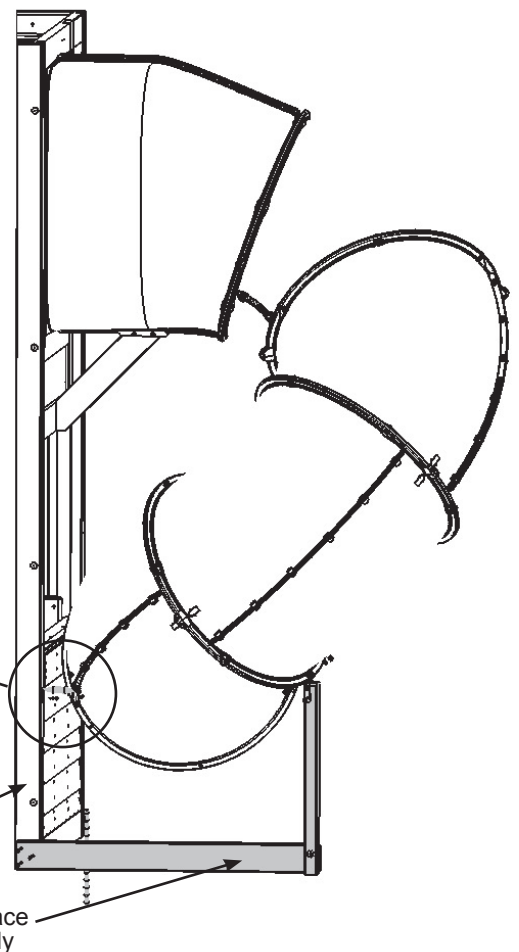
B: On the fourth Elbow Assembly attached remove the pan bolt and nut which is facing the fort (installed in Step 32). (fig. 37.1) **The bolt will no longer be needed, but keep the lock nut.**

C: Loosely attach TNR3 Tube Support (at the slightly bent end) to the Clamp Ring using 1 (PB6) Pan Bolt (with flat washer and the previously removed lock nut). (fig. 37.2)

D: Rotate TNR3 Tube Support and attach to (2771) End Post Left using 1 (S6) Pan Screw as shown in fig. 37.2.

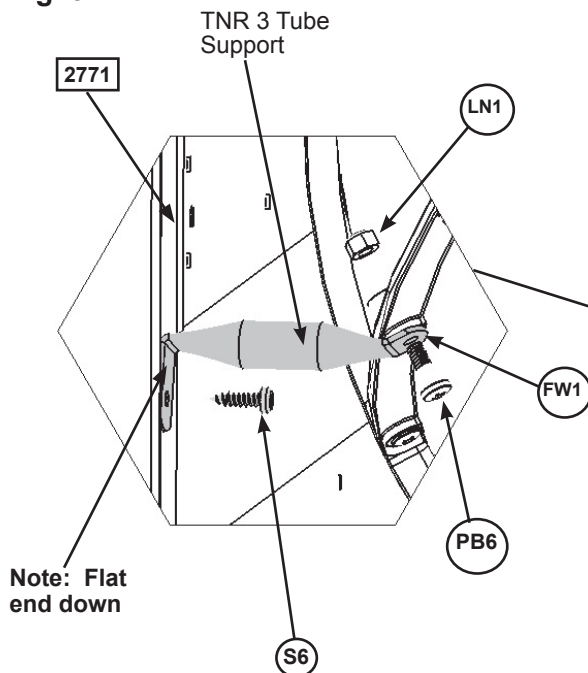
E: Fully tighten screw and bolt.

Fig. 37.1



Remove PB1 (Pan Bolt)
first then install PB6 Pan
Bolt with flat washer

Fig. 37.2



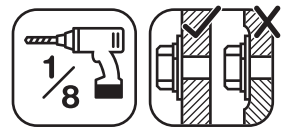
Hardware

- 1 x (S6) Pan Screw
- 1 x (PB6) Pan Bolt (FW1 & LN1 - previously removed)

Other Parts

- 1 x TNR3 Tube Support

Step 38: Attach TNR Brace Assembly and TNR4 Slide



A: Remove (H9) Hex Bolt from bottom of (2771) End Post then attach (8963) TNR Ground Brace flush to the bottom of (2618) Front Back Panel with 2 (S11) Wood Screws and 1 (S4) Wood Screw. (fig. 38.1 and 38.3)

B: Place 1 TNR4 Post Mount Clamp on either side of the Clamp Ring so that the bent tops clip in behind the Clamp Ring.

C: Insert the TNR4 Post Mount Base in between the 2 TNR4 Post Mount Clamps and bolt all pieces together using one 1/4 x 14.5mm Pan Head Bolt and Square Lock Nut. (fig. 38.2)

D: Attach TNR4 Post Mount Base to (8965) TNR Upright, pre-drill with a 1/8" (3.2mm) drill bit then attach with 2 (S6) #12 x 1" Pan Screws. (fig. 38.2)

E: Attach the Post Mount Clamp to the clamp ring using 1 (S37) #7 x 5/8" Pan Screw. (fig. 38.2)

Fig. 38.1

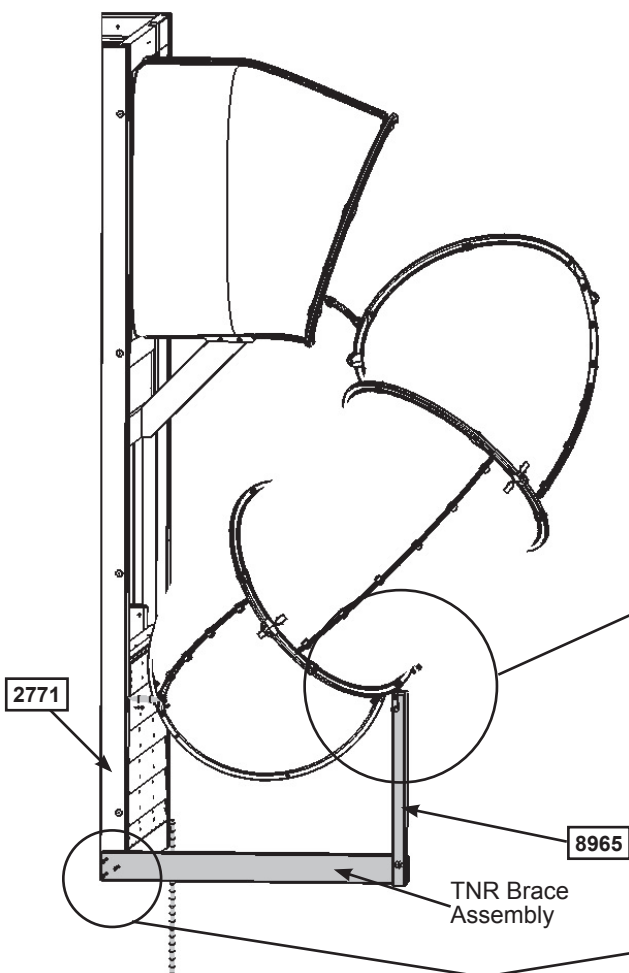


Fig. 38.2

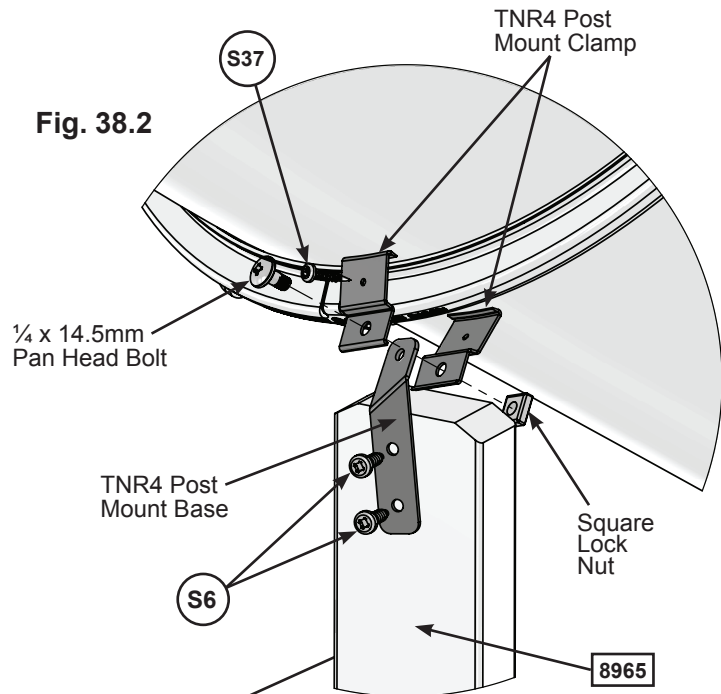
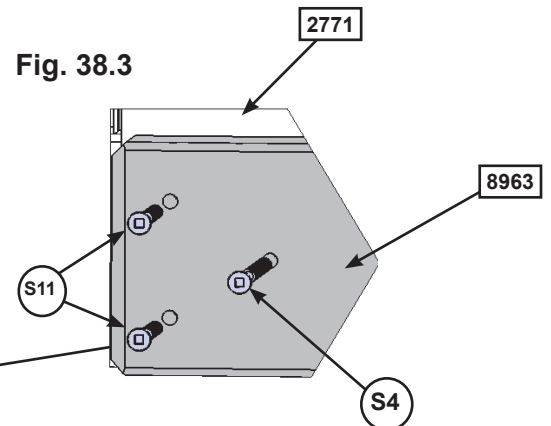


Fig. 38.3



Remove H9 (Hex Bolt) first from post then attach TNR Brace Assembly

Hardware

- 2 x (S6) #12 x 1" Pan Screw
- 1 x (S4) #8 x 3" Wood Screw
- 2 x (S11) #8 x 2" Wood Screw
- 1 x (S37) #7 x 5/8" Pan Screw

Other Parts

- 2 x TNR4 Post Mount Clamp
- 1 x TNR 4 Post Mount Base
- 1 x 1/4 x 14.5 mm Pan Head Bolt
- 1 x Square Lock Nut

Step 39: Attach Ground Stake to TNR Upright

A: In the spot shown in fig. 39.1 drive 1 Rebar Ground Stake 13" (330 mm) into the ground against the (8965) TNR Upright. Be careful not to hit the washer while hammering stake into the ground as this could cause the washer to break off.

B: Attach the ground stake to (8965) TNR Upright just below the (TN1) T-nut using 1 (S7) Pan Screw as shown in fig. 39.2.

C: After driving stakes into the ground, check for sharp edges caused by the impact of the hammer. Smooth any sharp edges from impact area and touch up with outdoor paint.



Warning! To prevent tipping and avoid potential injury, stakes must be driven 13" into ground. Digging or driving stakes can be dangerous if you do not check first for under-ground wiring, cables or gas lines.

Fig. 39.1

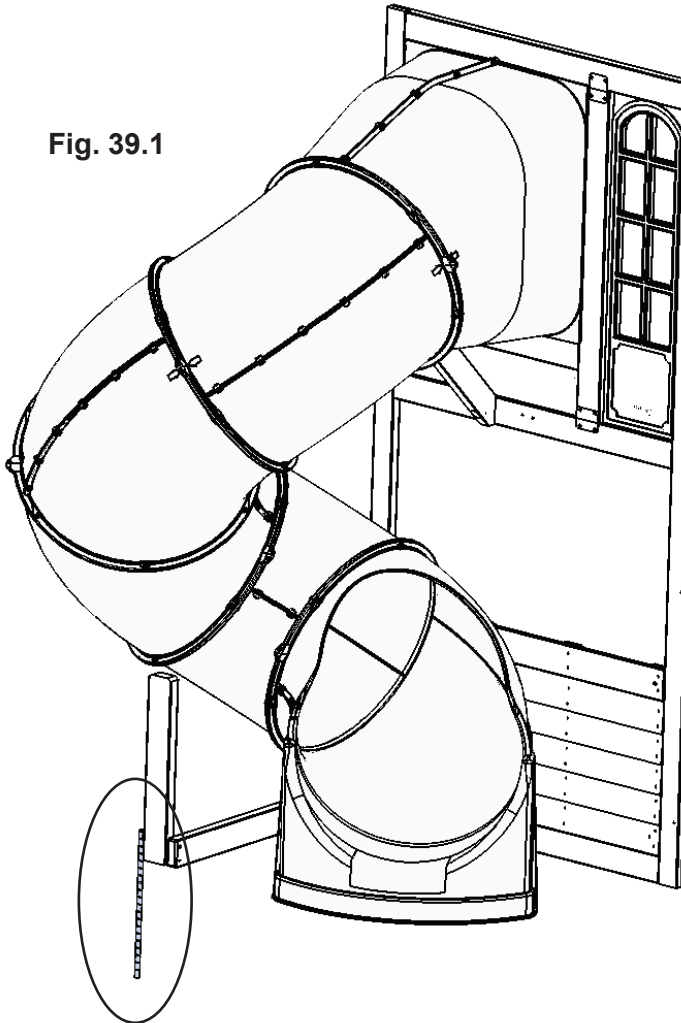
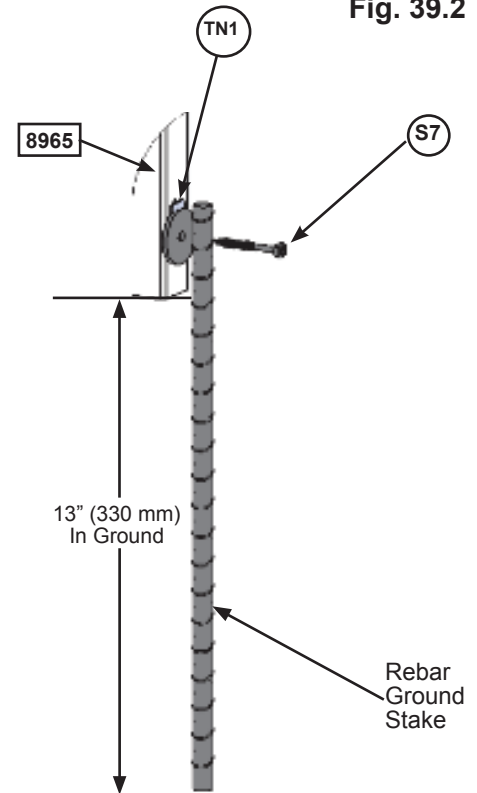


Fig. 39.2



Hardware

1 x  Pan Screw

Other Parts

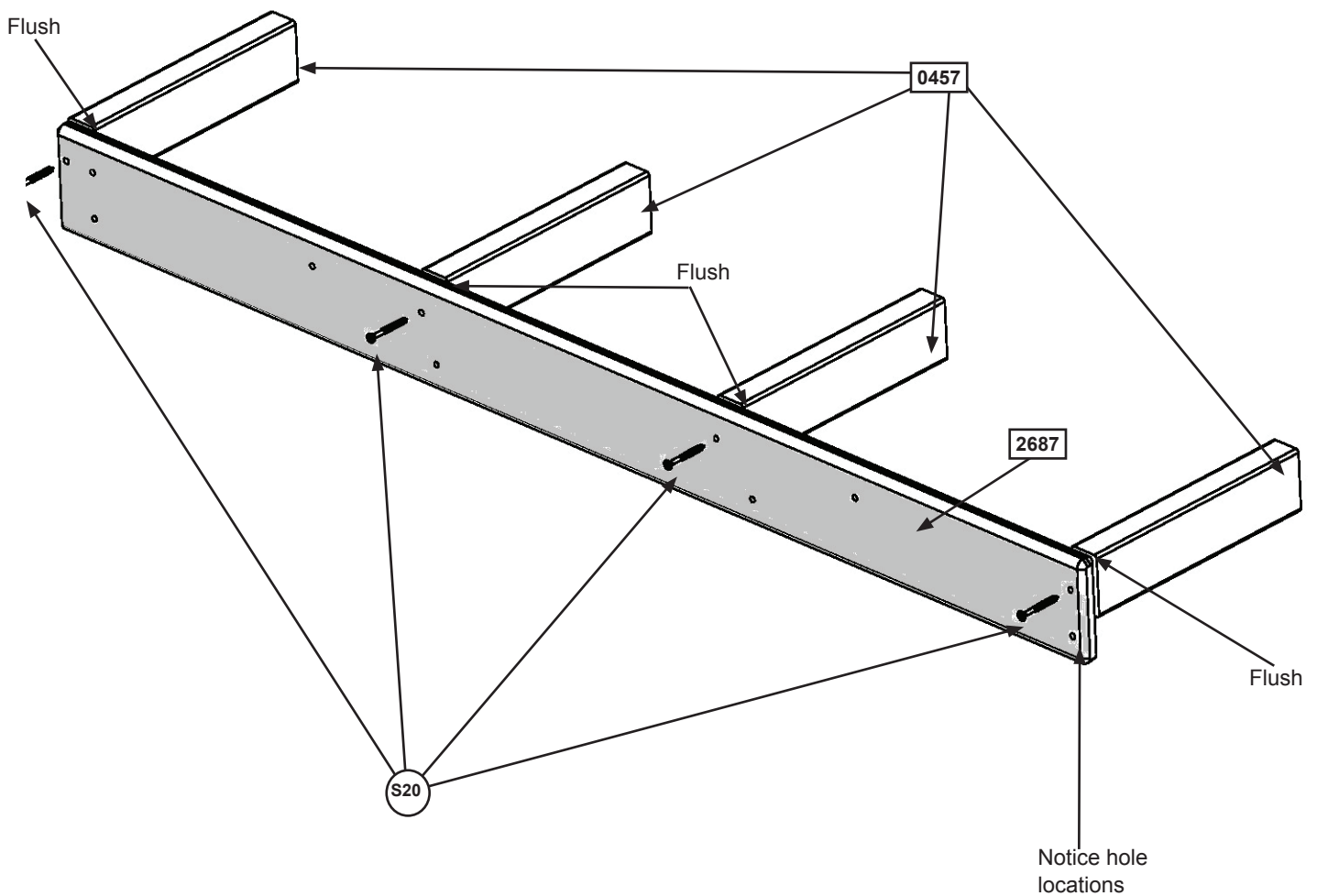
1 x Rebar Ground Stakes

Step 40: Counter Assembly Part 1

A: Flush to each end and to the top of (2687) Counter Back attach 1 (0457) Counter Joist per end with 1 (S20) Wood Screw per joist. Notice the remaining holes at the bottom of (2687) Counter Back. (fig. 40.1)

B: Place the remaining 2 (0457) Counter Joists centred over the pilot holes in the middle of (2687) Counter Back and flush to the top of the board, then attach, in the top holes, with 1 (S20) Wood Screw per joist. (fig. 40.1)

Fig. 40.1



Wood Parts

- 1 x 2687 Counter Back 1 x 4 x 40-5/8"
- 4 x 0457 Counter Joist 1 x 2 x 8-1/4"

Hardware

- 4 x S20 Wood Screw

Step 40: Counter Assembly Part 2

C: On the inside of the panel shown in the Fort Guide place Counter Assembly so the top of (2687) Counter Back is flush to the top of the opening then attach with 5 (S20) Wood Screws. (fig. 40.2 and 40.3)

Fig. 40.2
Outside View

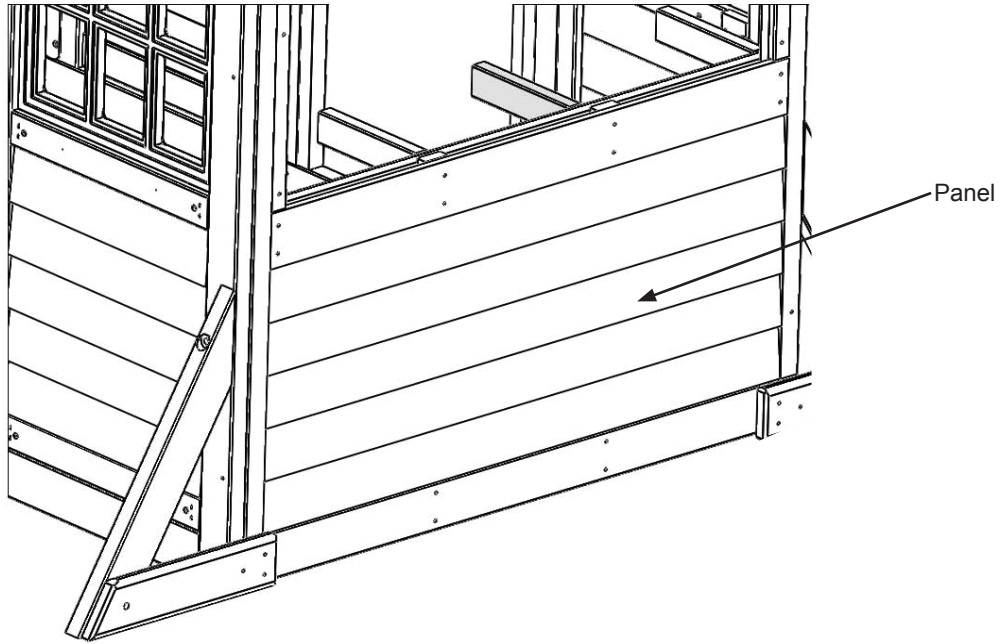
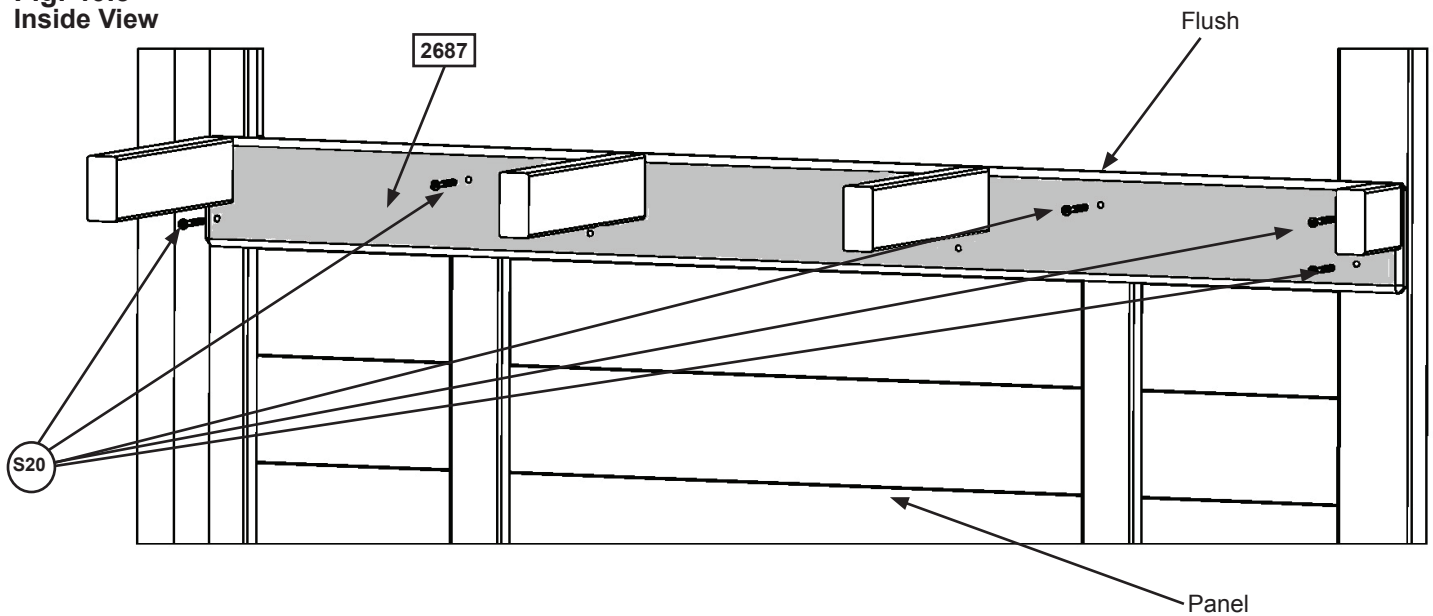


Fig. 40.3
Inside View



Hardware

5 x  Wood Screw

Step 40: Counter Assembly Part 3

D: Place 1 (0461) Counter Brace flush to the front and outside edge of each outer (0457) Counter Joist and tight to the panel then attach with 2 (S3) Wood Screws per brace. (fig. 40.4 and 40.5)

Fig. 40.4

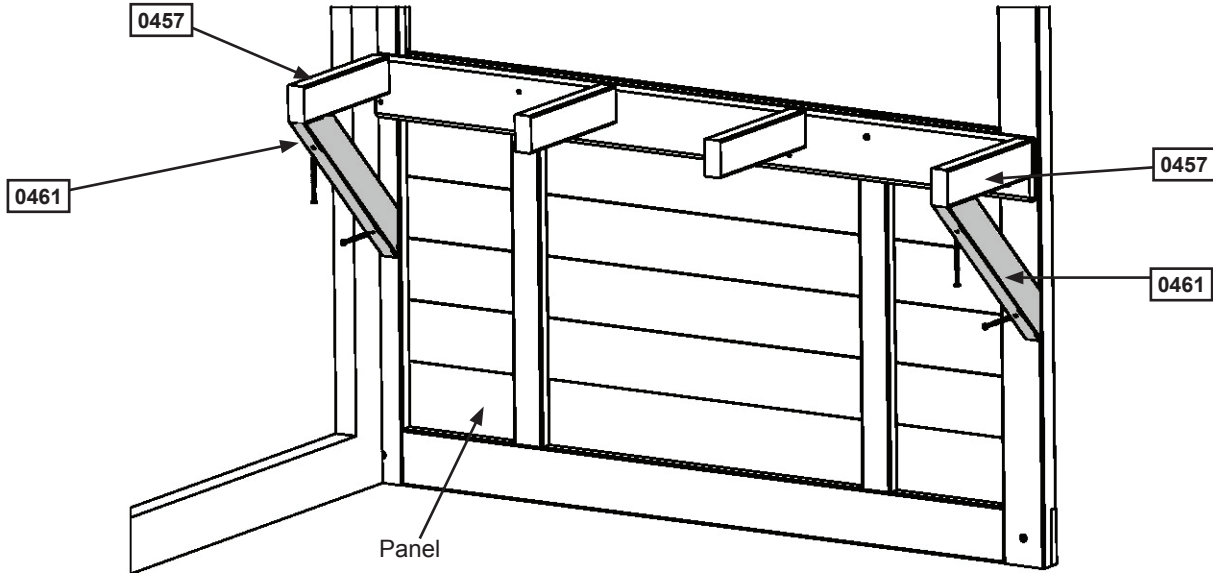
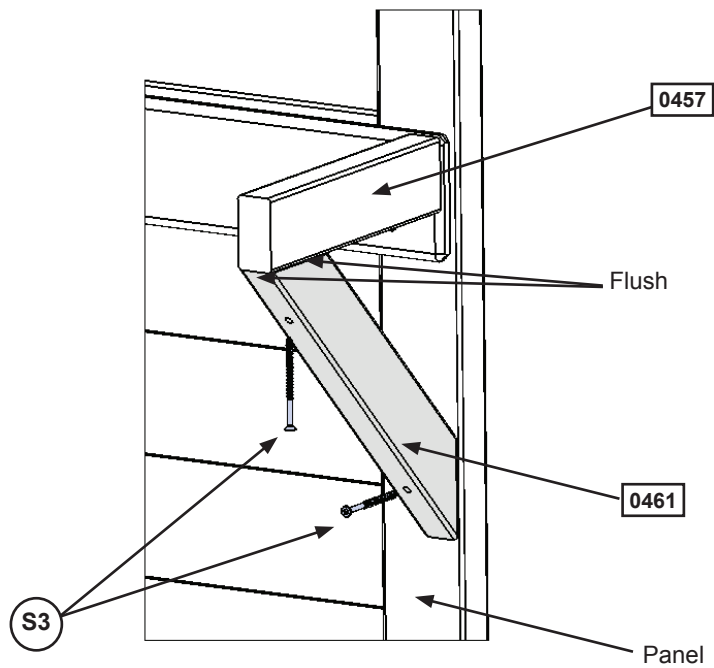


Fig. 40.5



Wood Parts

2 x 0461 Counter Brace

Hardware

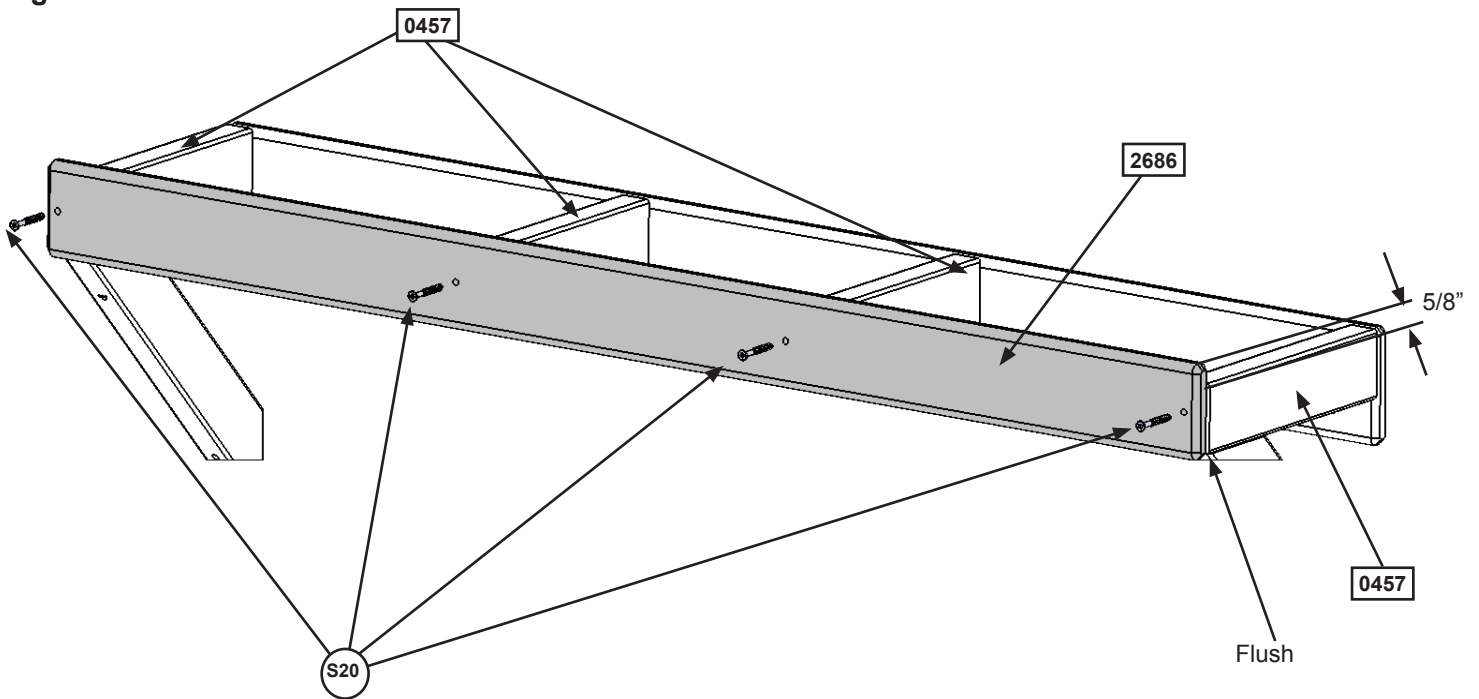
4 x S3 Wood Screw

Step 40: Counter Assembly Part 4



E: Place (2686) Counter Front against (0457) Counter Joists so the ends are flush and the centre (0457) Counter Joists are centred over the pilot holes. Measure 5/8" down from the top of (2686) Counter Front on both ends and attach to the (0457) Counter Joists with 4 (S20) Wood Screws. (fig. 40.6)

Fig. 40.6



Wood Parts

1 x 2686 Counter Front

Hardware

4 x S20 Wood Screw

Step 40: Counter Assembly

Part 5

F: Tight to (2687) Counter Back attach (2685) Counter Top to each (0457) Counter Joist with 4 (TS) Trim Screws. (fig. 40.7)

G: Tight to (2685) Counter Top and flush to the outside edges of the outer (0457) Counter Joists attach 1 (0455) Counter Side per joist with 3 (TS) Trim Screws per board. (fig. 40.7)

H: Tight to (2685) Counter Top and centred over the middle 2 (0457) Counter Joists with ends flush to the outside edges attach 2 (2716) Counter Mid Tops with 4 (TS) Trim Screws per board. (fig. 40.7)

I: Attach (2685) Counter Top to the panel with 2 (TS) Trim Screws per board. (fig. 40.8)

Fig. 40.7

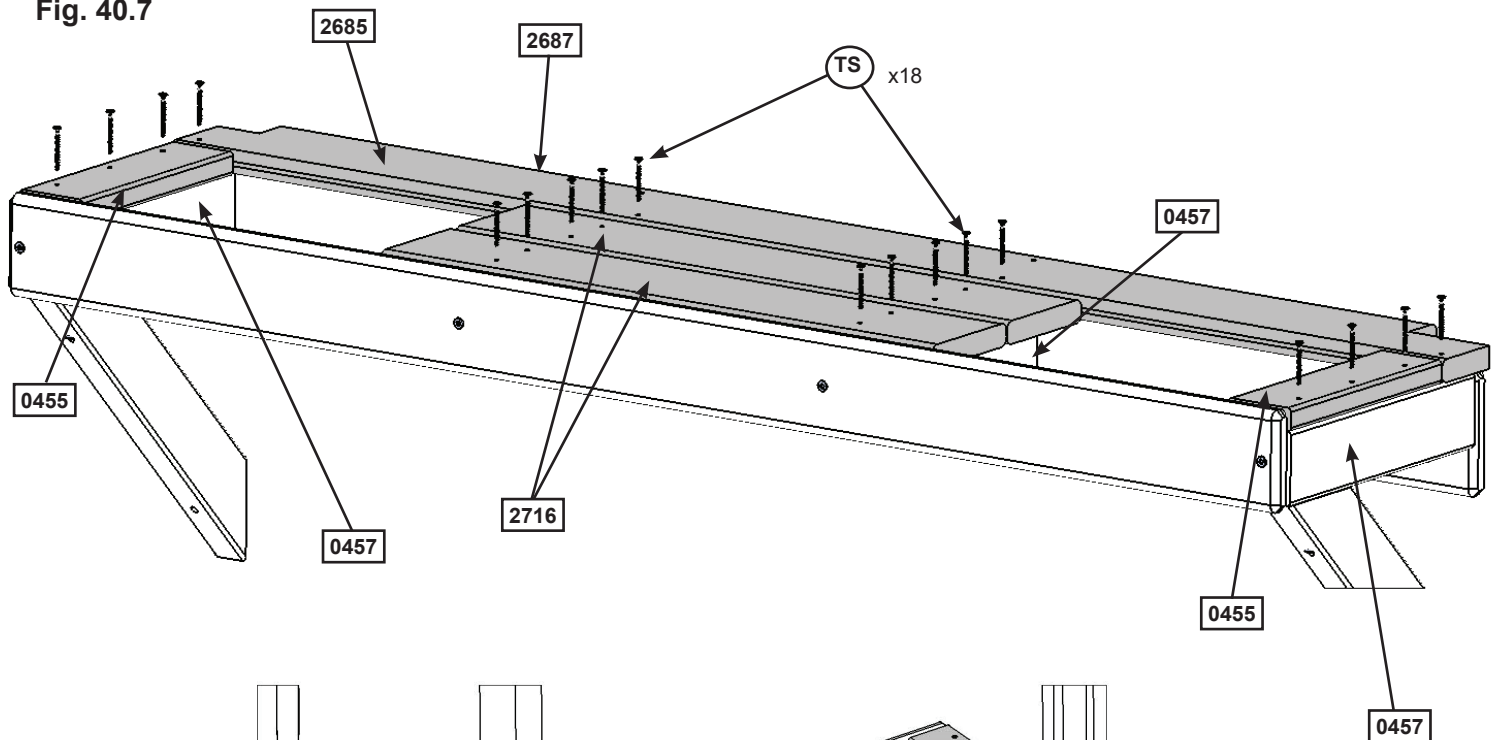
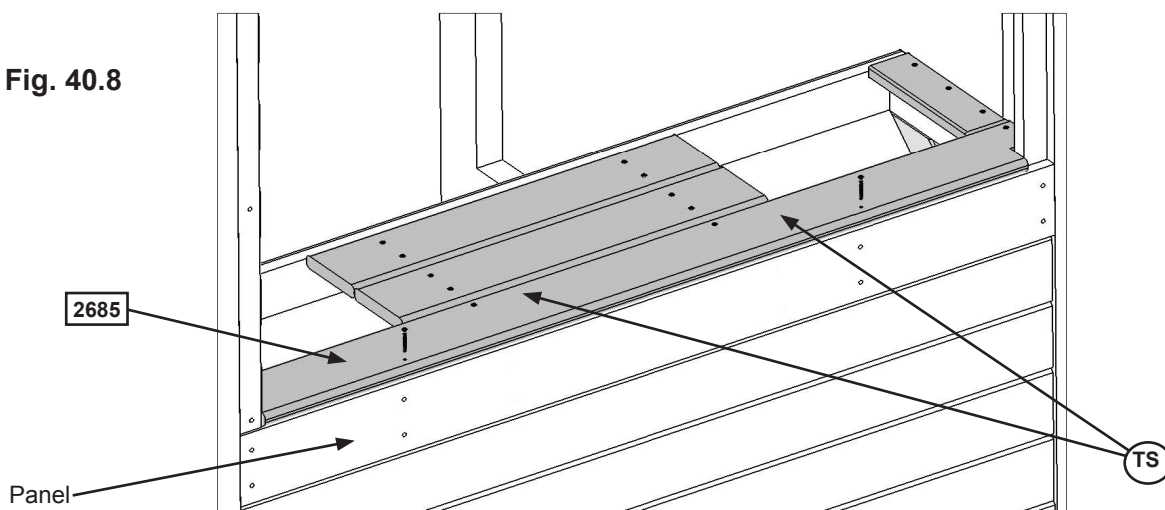


Fig. 40.8



Wood Parts

- 2 x 2716 Counter Mid Top
- 1 x 2685 Counter Top
- 2 x 0455 Counter Side

Hardware

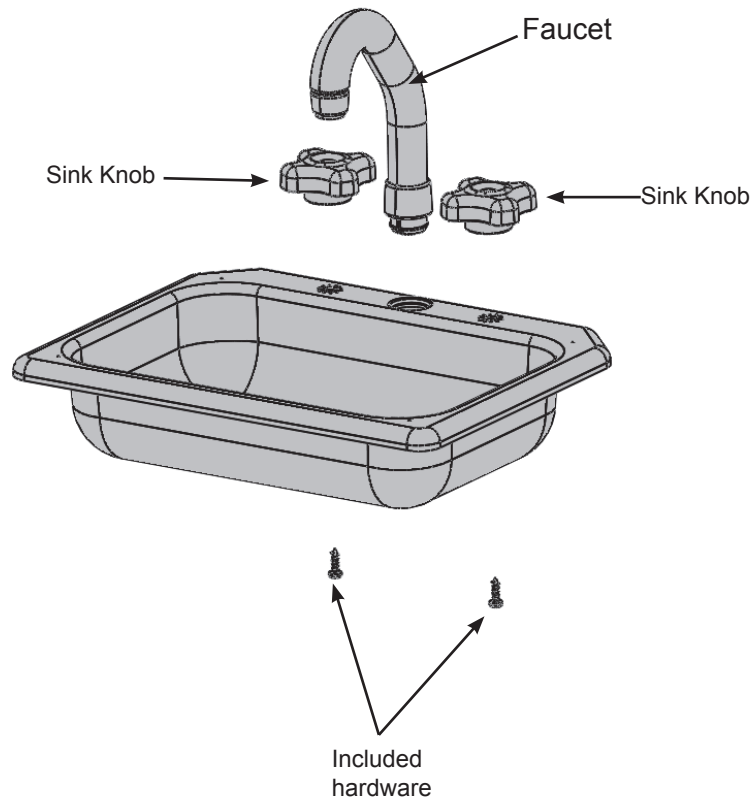
- 20 x TS Trim Screw

Step 40: Counter Assembly Part 6

J: Place Faucet and 2 Sink Knobs in opening of Sink and attach Sink Knobs with included hardware. (fig. 40.9)

Important: Use a hand held screw driver and DO NOT over tighten.

Fig. 40.9



Other Parts

1 x Sink
2 x Sink Knobs
1 x Faucet

Step 40: Counter Assembly Part 7

K: Place Sink and Stove in the openings of the Counter Assembly then attach 4 Mount Clips with included hardware to the bottom of the Sink and Stove to secure in place. (fig. 40.10 and 40.11)

Important: Use a hand held screw driver and **DO NOT** over tighten.

Note: To remove the Sink or Stove loosen screw 1/4 turn then twist Mount Clips.

Fig. 40.10

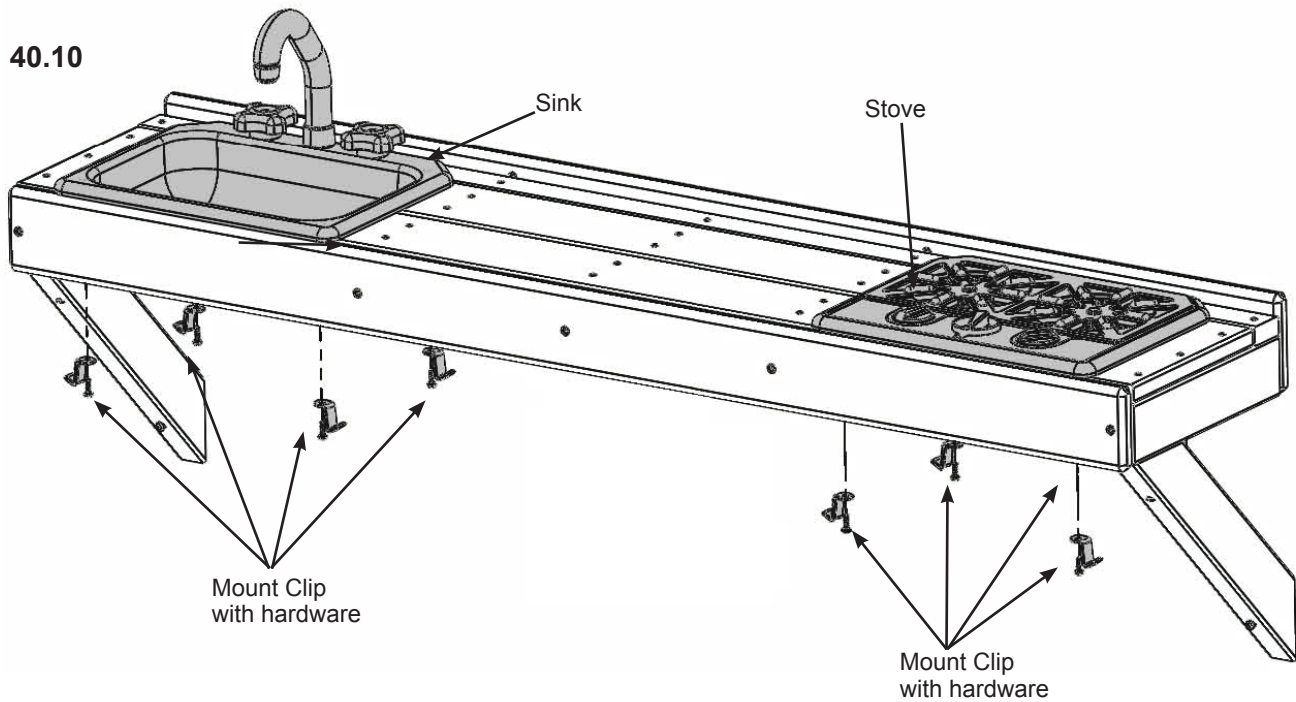
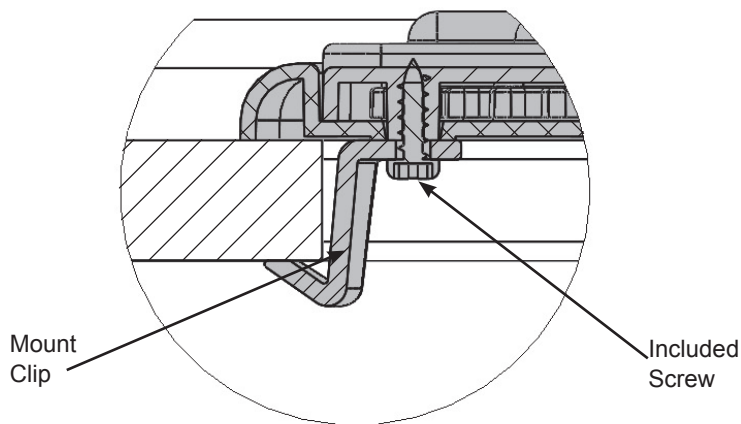


Fig. 40.11



Other Parts

1 x Stove
8 x Mount Clip

Step 41: Attach Utensil Shelf

A: From inside the assembly, centred in the top of the opening of panel as shown in the Fort Guide, above the counter, attach Utensil Shelf with 2 (S13) Pan Screws as shown in fig. 41.1 and 41.2.

B: Attach Pot, Pan and Spatula to the Utensil Shelf. (fig. 41.1)

Fig. 41.1

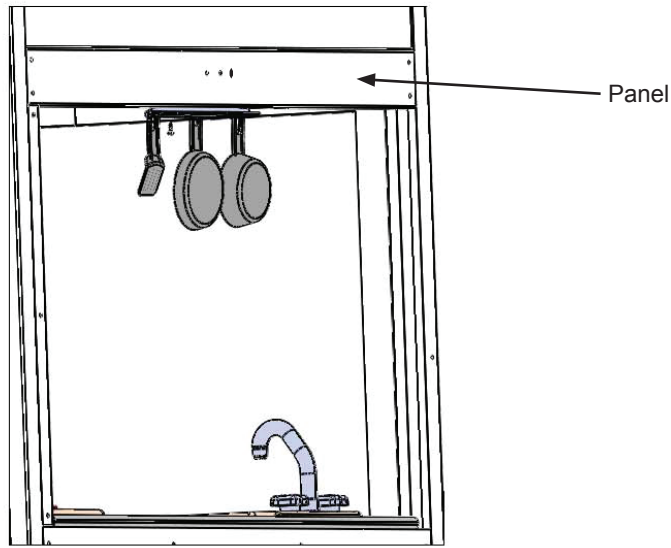
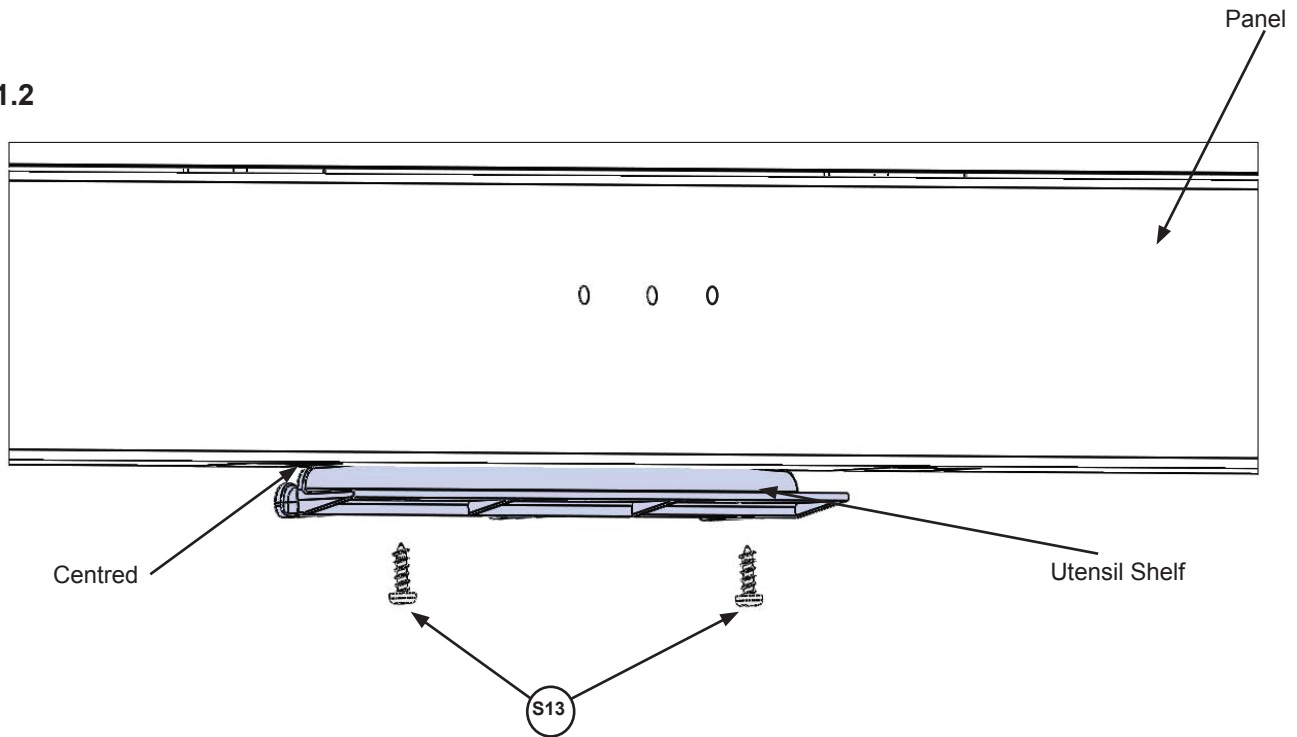


Fig. 41.2



Hardware

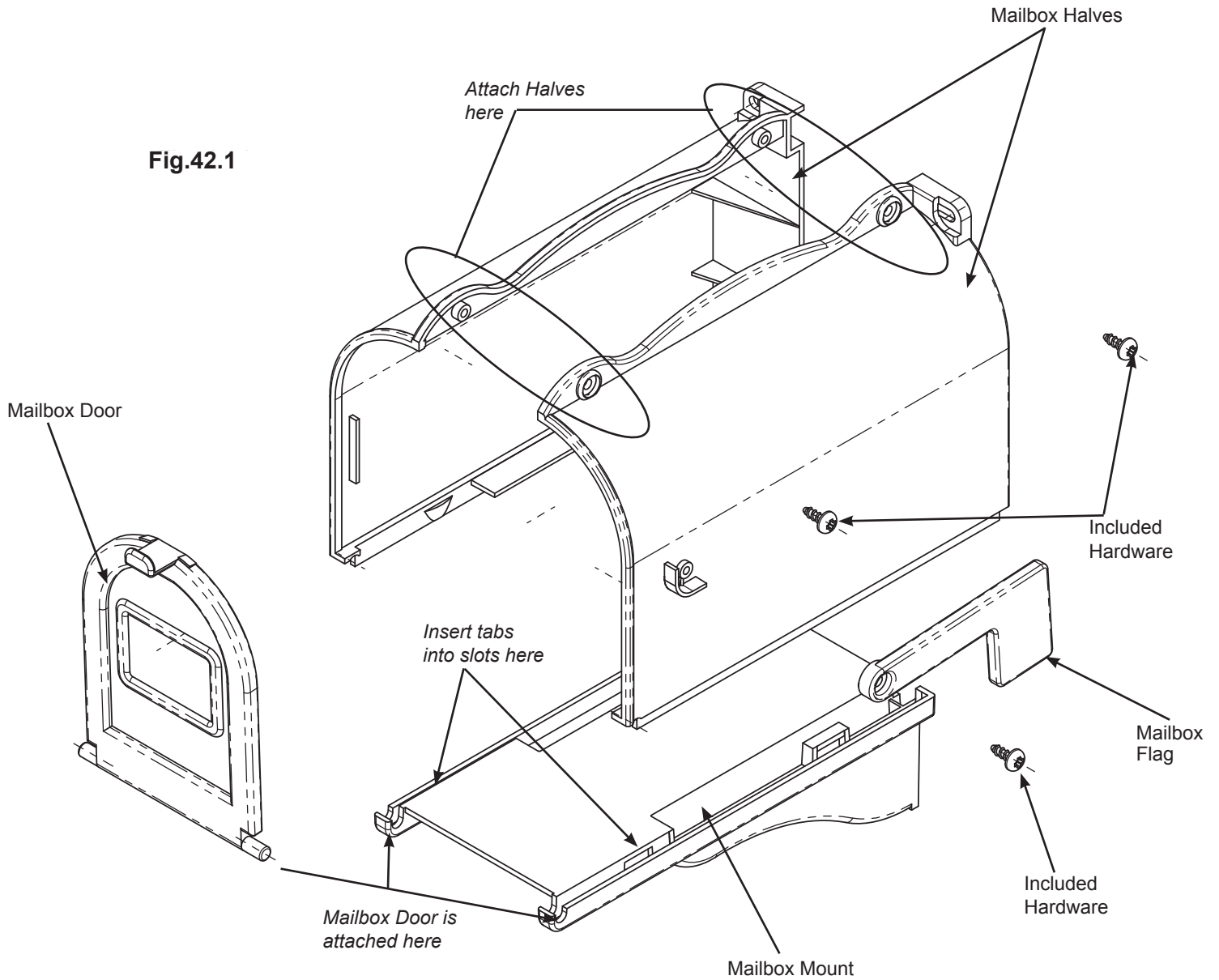
2 x (S13) Pan Screw

Other Parts

1 x Utensil Shelf
1 x Pot
1 x Pan
1 x Spatula

Step 42: Attach Mail Box Part 1

- A: Place both Mailbox Halves together and attach at the top with included hardware. (fig. 42.1)
- B: Snap Mailbox Door onto Mailbox Mount. (fig. 42.1)
- C: Place assembled Mailbox on Mailbox Mount and slide into place using the tabs and slots. (fig. 42.1)
- D: Attach Mailbox Flag to Mailbox with included hardware. (fig. 42.1)



Other Parts

1 x Mailbox
(with included hardware)

Step 42: Attach Mailbox

Part 2

E: On the outside corner of the Door Wall as shown in fig. 42.2 place Mail Box Assembly on the panel then attach with 1 (S10) #8 x 1" Pan Screw from the bottom and 2 (S10) #8 x 1" Pan Screws on the top. (fig. 42.2, 42.3 and 42.4)

F: For the remaining 2 holes, attach with 2 (S13) #6 x 5/8" Pan screws. (fig.42.2)

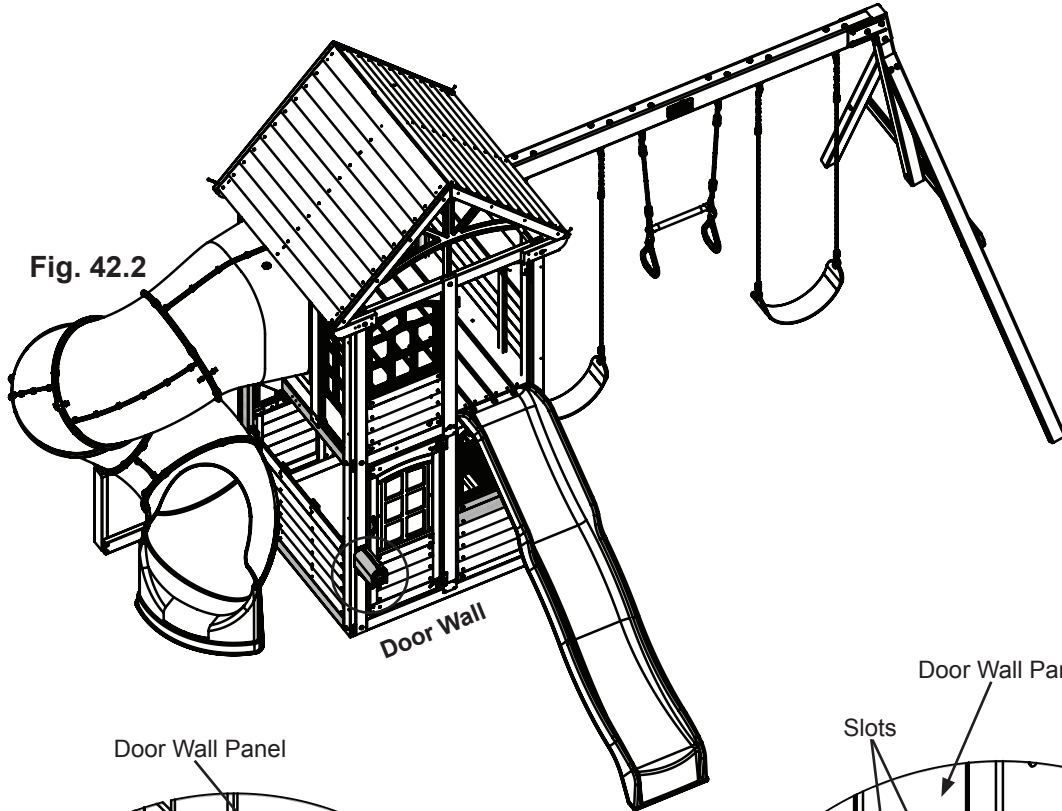


Fig. 42.2

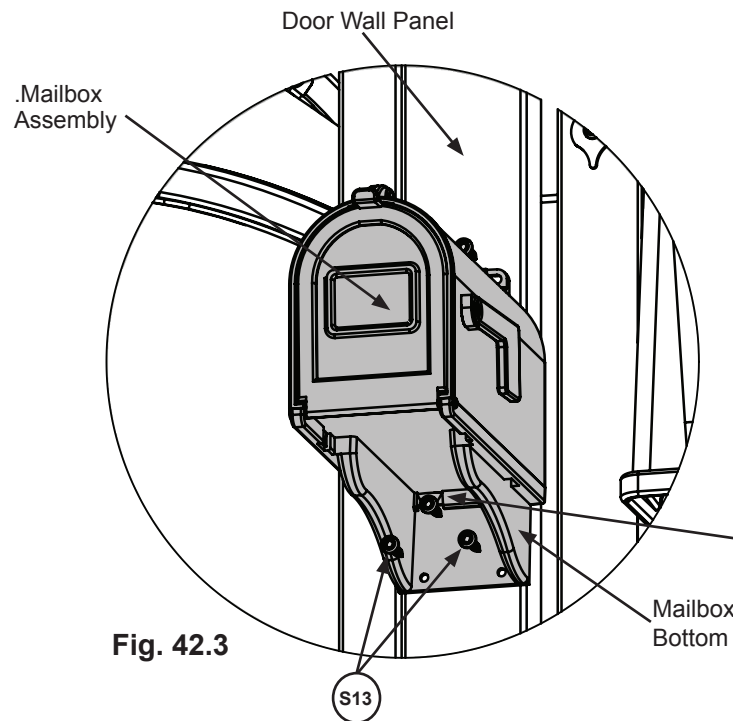


Fig. 42.3

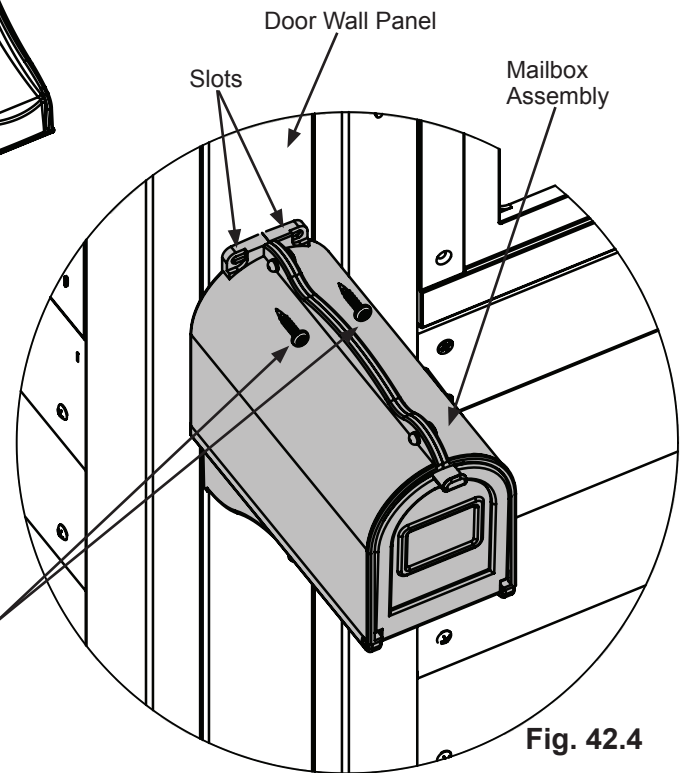


Fig. 42.4

Hardware

3 x (S10) Pan Screw

2 x (S13) Pan Screw

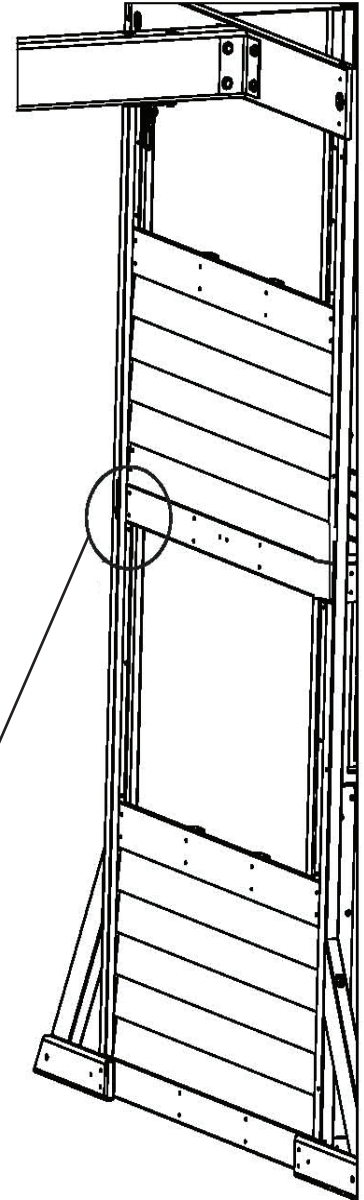
Final Step: Attach I.D. Plaque

ATTACH THIS WARNING & I.D. PLAQUE TO THIS LOCATION ON YOUR PLAY EQUIPMENT!

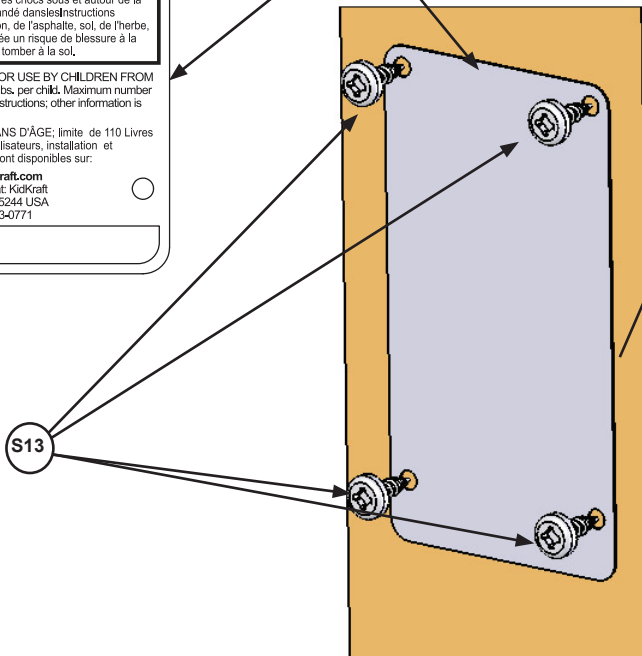
This provides warnings concerning safety and important contact information. A Tracking Number is provided to allow you to get critical information or order replacement parts for this specific model.



A: Attach KidKraft I.D. Plaque to a location on your set that is easily seen and read by a supervising adult using 4 (S13) Pan Screws as shown below.



KidKraft I.D. Plaque



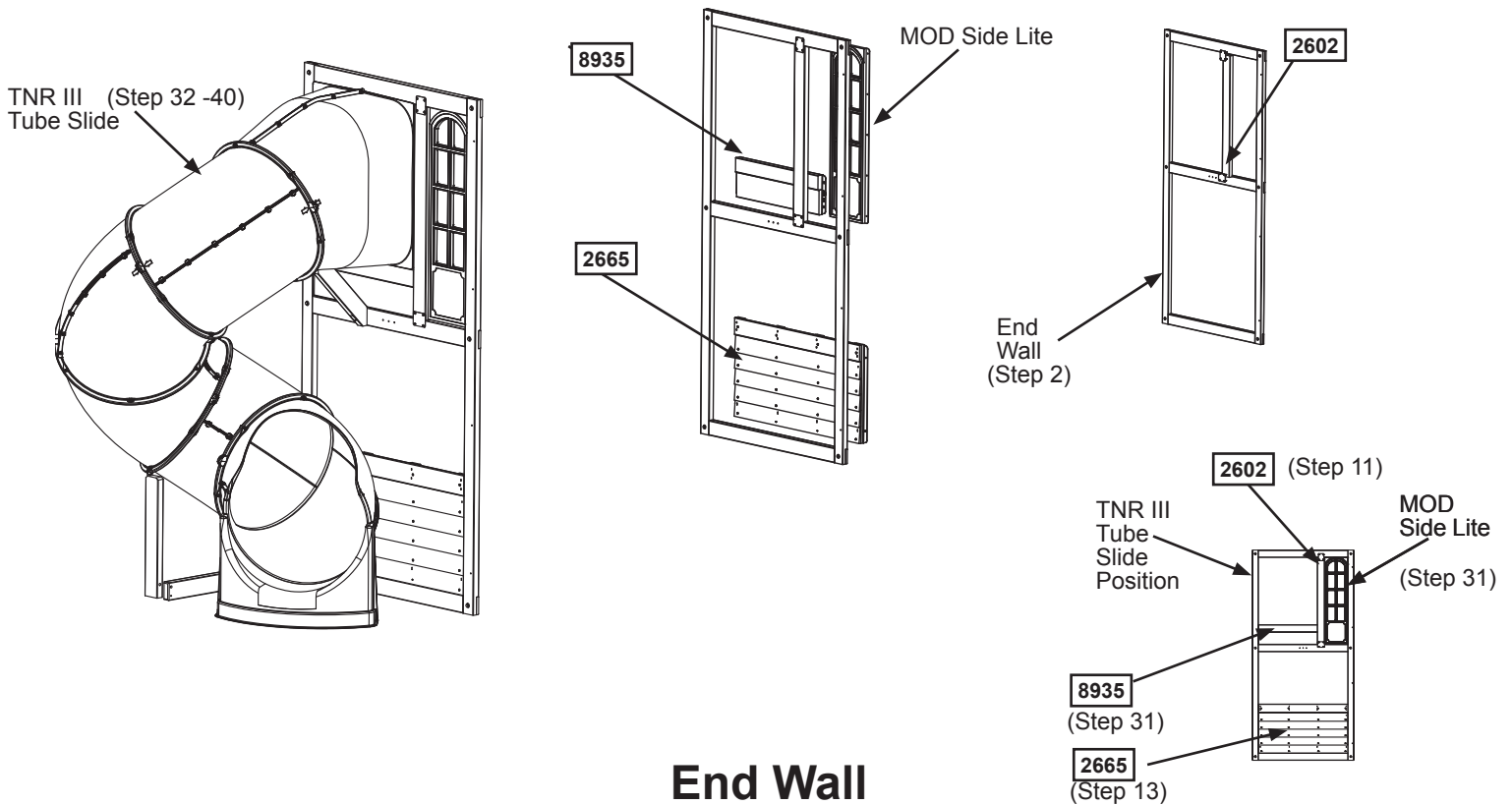
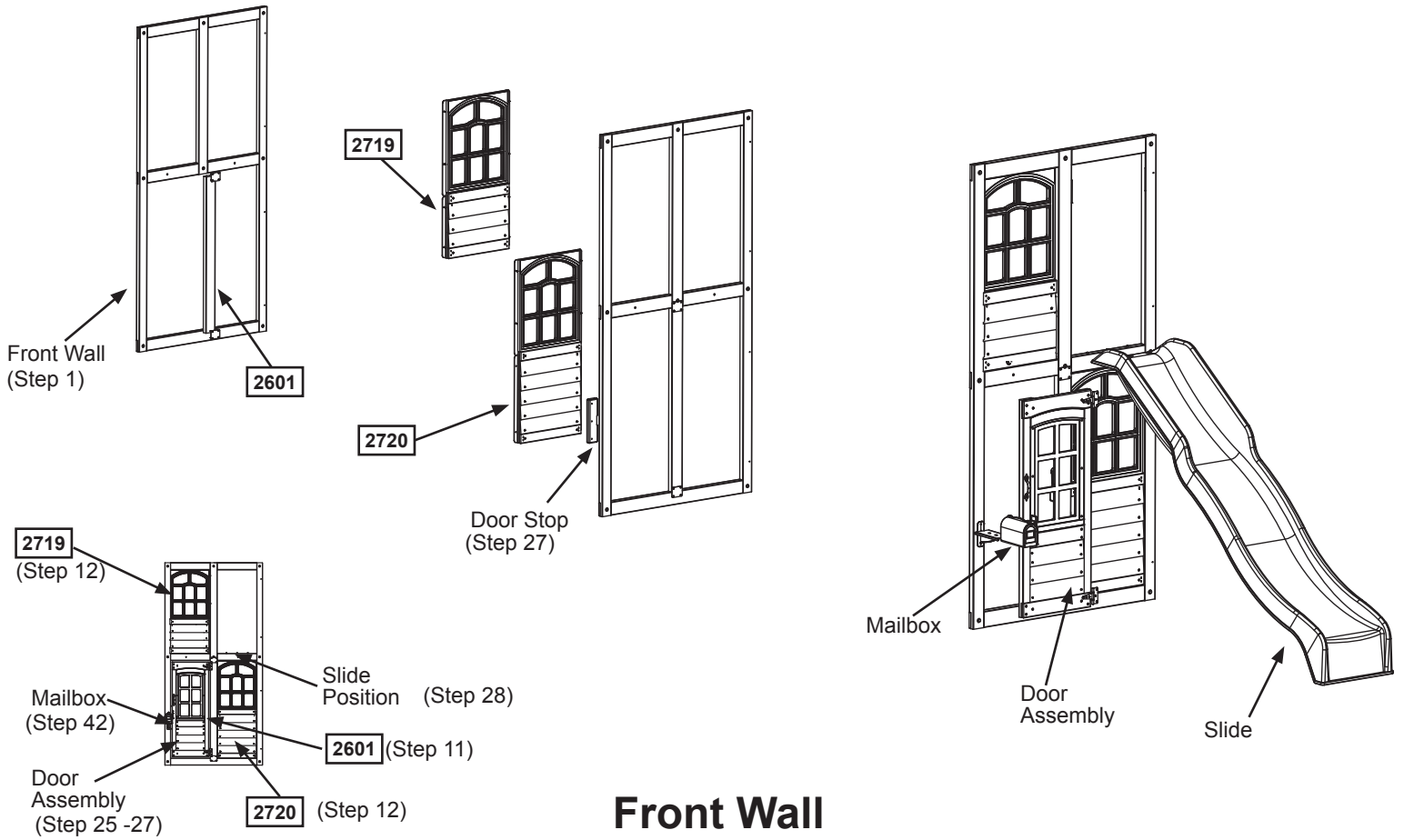
Hardware

4 x  Pan Screw

Other Parts

1 x KidKraft I.D. Plaque

Fort Guide: Castlewood



Fort Guide: Castlewood

