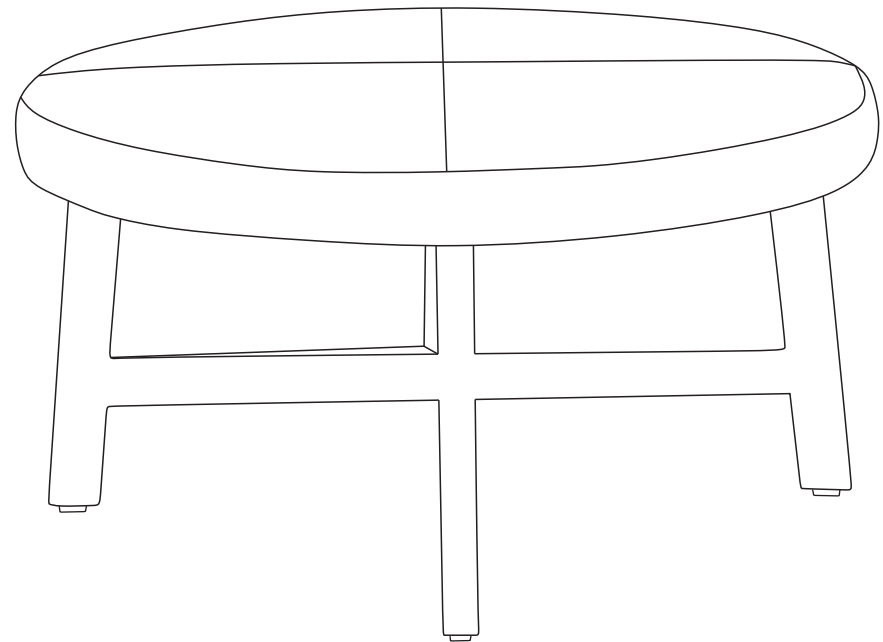


Instruction Manual

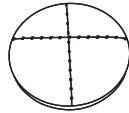

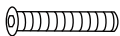




User Guide

Make life better

Warm tips: We are proud of high-quality products and satisfactory service, but the goods may encounter special circumstances during transportation, if you receive the goods with missing or damaged parts, please take photos and contact our customer service before returning the goods , we will customize a solution that satisfies you, thank you.



Instruction

NO	DESCRIPTION		QTY
A	Top Panel		1
B	Leg		2
C	Screw	$\Phi 5/16$ " * 1-9/16"L 	1
D	Screw	$\Phi 5/16$ " * 1-3/4"L 	4
E	Flat Washer	$\Phi 5/16$ " * 22mm 	5
F	Lock Washer	$\Phi 5/16$ " 	5
G	Allen Wrench	$\Phi 5$ mm 	1

Note:

1. Take out the wooden legs, align them with the grooves, and secure them with screws.
2. Open the zipper on the bottom of the top panel, align the assembled wooden legs with the holes in the top panel, and secure them with screws in order.
3. Finally, close the zipper.

Installation Method

