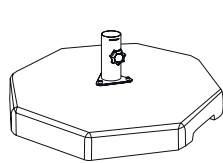
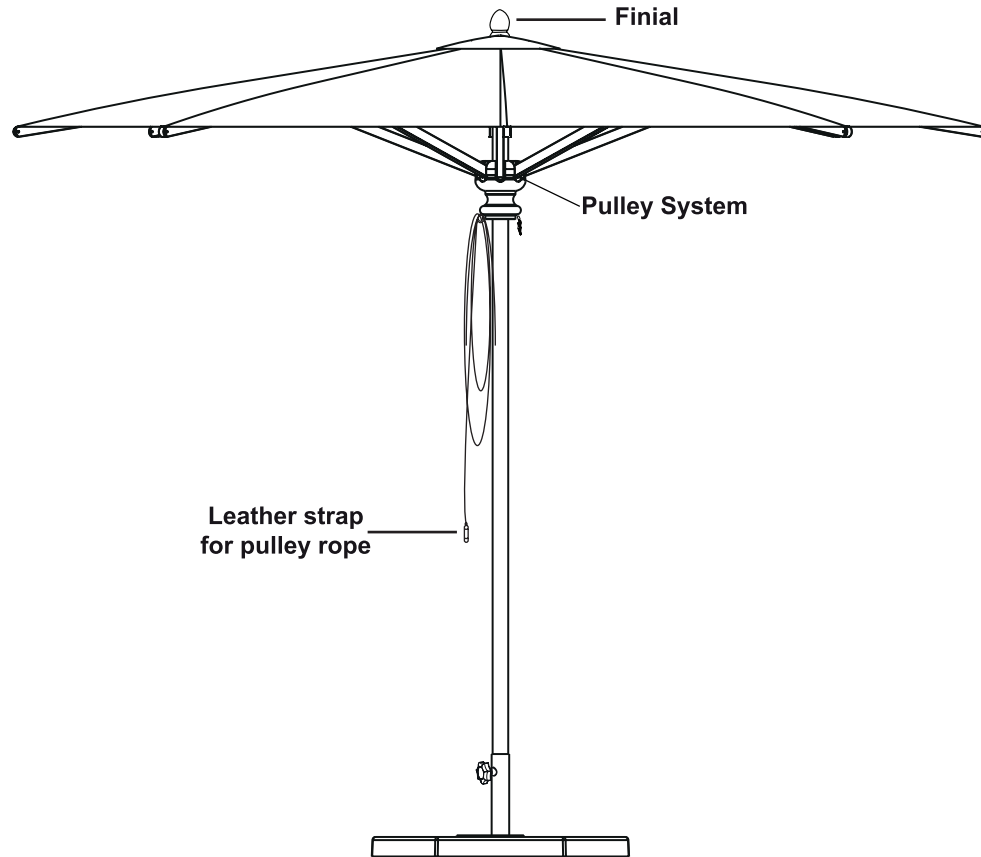
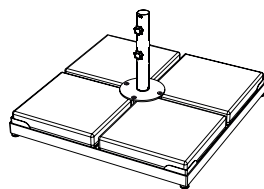


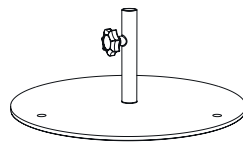
**SAFARI UMBRELLA
ASSEMBLY INSTRUCTIONS**



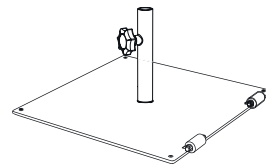
Concrete Slab Base



Paver Base



Round Metal Base



Square Metal Base

CONTENTS

1 X UMBRELLA CANOPY (INCLUDING COVER BAG) AND STRUCTURE	
PACKED	
1 X FINIAL	
PACKED	
1 X COVER BAG	
PACKED	
1 X LEATHER STRAP FOR PULLEY ROPE	
PACKED	
1 X COVER BAG STICK	
PACKED	
LOXX SPANNER (IN ZIPLOC BAG ATTACHED TO RUNNER ON THE UMBRELLA STRUCTURE)	
PACKED	

PACKED BY: _____ DATE: _____

CHECKED BY: _____ DATE: _____

***NOTE:**

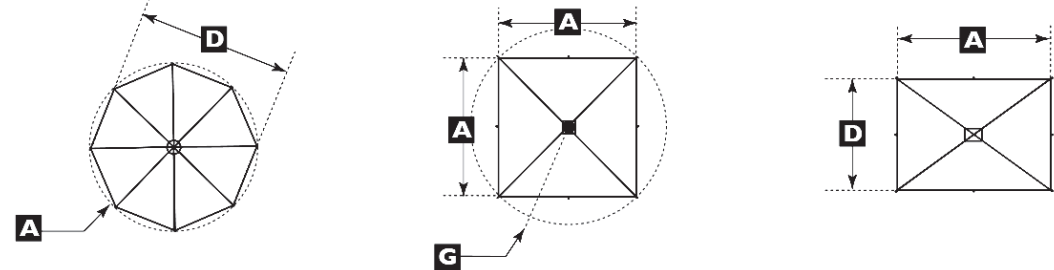
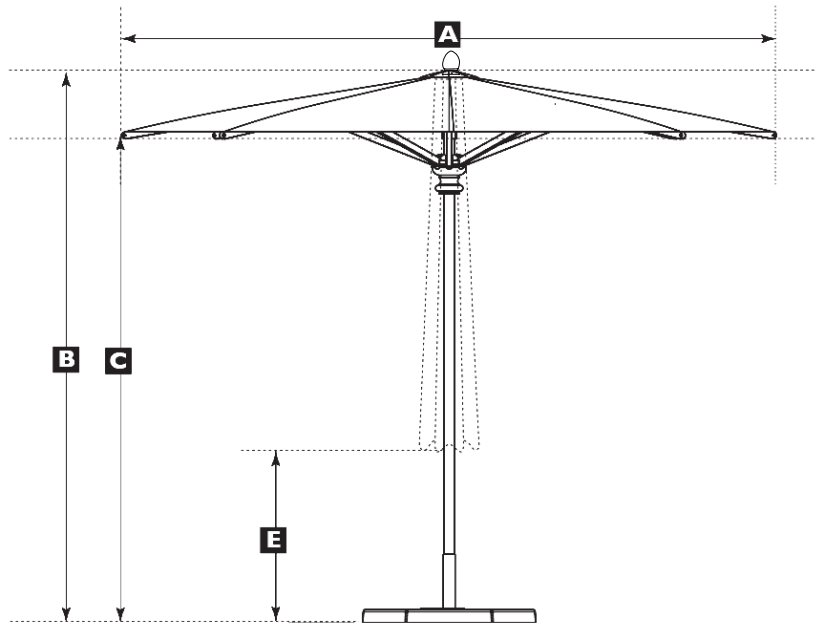
You may have purchased one of a variety of bases for mounting the hardwood umbrella. The components comprising the base mount system are in separate boxes from the umbrella. Locate your base mount system boxes, and assemble the base system prior to removing the umbrella from the protective plastic bag.

For alternative base options please view www.woodlineshade.com

woodline

shade solutions

SAFARI CENTER POLE UMBRELLA CORRECT PLACEMENT



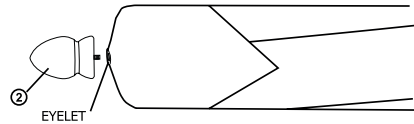
- A** Canopy size:
 Round – size is measured from tip to tip through the center
 Square – size is measured from tip to tip on one side
 Rectangle – size is measured from tip to tip on long side and short side
- B** Height of structure
- C** Head clearance from arm tip
- D** Minimum width
- E** Ground clearance when closed
- G*** Maximum length of rotation
- Rotation point

model	shape	A (size)	B	C	D	E	G*
SA27RE	Round 8 arms	8'9" 2.7 m	8'3" 2.53m	7'0" 2.12m	7'2" 2.2m	3'6" 1.1m	N/A
SA35RE	Round 8 arms	11'5" 3.5 m	8'3" 2.53m	7'4" 2.25m	10'4" 3.18m	2'6" 0.78m	N/A
SA40RE	Round 8 arms	13'1" 4.0 m	9'3" 2.83m	7'1" 2.17m	12'4" 3.79m	2'5" 0.75m	N/A
SA23SE	Square 8 arms	7'5" 2.3 m	8'3" 2.53m	6'7" 2.05m	N/A	1'6" 0.49m	11'6" 3.53m
SA29SE	Square 8 arms	9'5" 2.9m	8'3" 2.53m	6'5" 1.98m	N/A	1'5" 0.46m	13'5" 4.10m
SA35SE	Square 8 arms	11'5" 3.5 m	9'3" 2.83m	7'0" 2.15m	N/A	1'8" 0.56m	16'2" 4.94m
SA223REE	Rectangle 8 arms	7'2" x 10' 2.2 m x 3.0 m	8'3" 2.53m	7'15" 2.18m	7'2" 2.2m	2'6" 0.78m	N/A

* This distance is measured from the pivot point to the farthest distance from this point on the umbrella. The distance defines the radius of the circle created as the umbrella rotates 360 degrees.
 All vertical measurements are taken from the ground level, including paver base.
 All imperial measurements have been converted from metric and are rounded to the nearest inch. For exact dimensions refer to metric measurements.

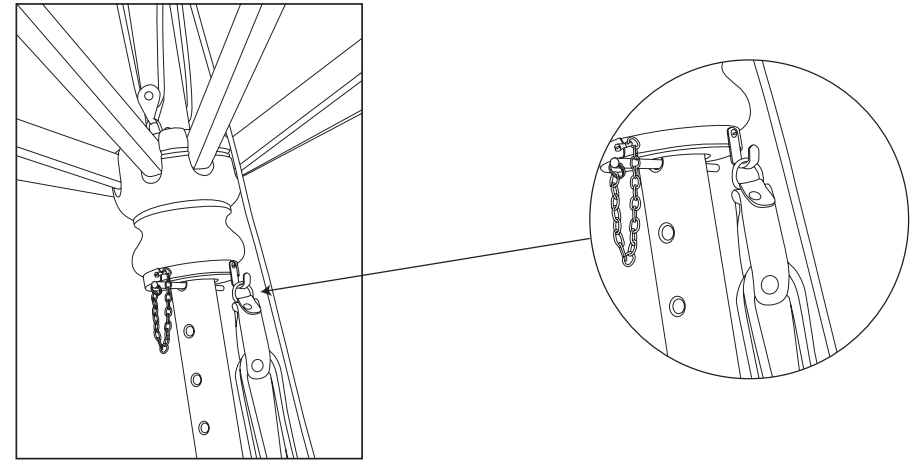
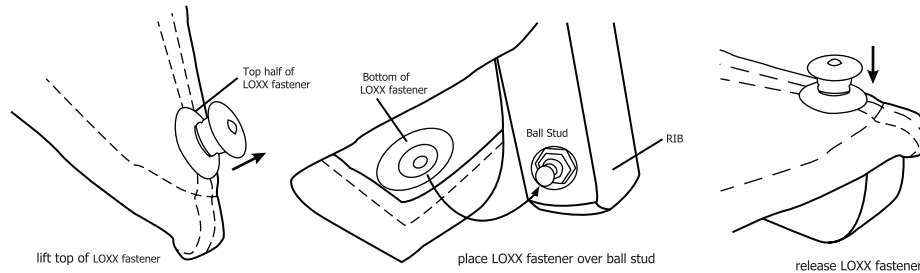
STEP 1

- A After assembling the base, remove the umbrella from the protective bag and set umbrella down on top of the bag to keep the canopy clean during the assembly process.
- B Remove the hardwood finial ② from the bottom of the pole and screw it through the eyelet on top of the canopy and into the threads on the top hub.
- C Loosen the fastening wheel(s) on the tube attached to the base, lift the umbrella and slide the pole into the tube. Turn the fastening wheel(s) clockwise.



STEP 2

- A Remove the protective cardboard ring and wrappings from the frame.
- B To attach the canopy to the rib, use your fingers to pull the top half of the LOXX fastener up, and place onto the ball stud mounted on the rib. Release the top half of the LOXX fastener. Repeat until all corners are attached.

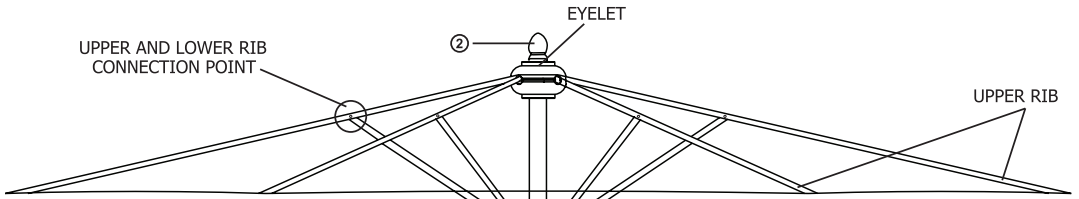


TO OPEN AND CLOSE THE UMBRELLA

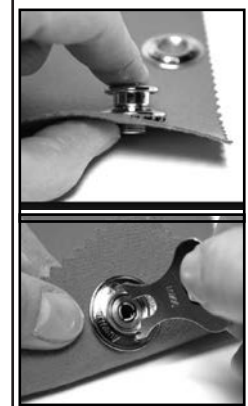
NOTE: Before opening the umbrella structure, loosen the umbrella strap and pay close attention to how the canopy has been folded. It is essential to always fold the canopy in this manner with every closing to ensure fabric does not get pinched by the ribs in the collapsed position. **Not folding the canopy properly will cause abrasion to the fabric, which is not covered in the manufacturer's warranty.**

- A Untie the canopy strap that secures the canopy frame in the closed and folded position.
- B If the umbrella won't open do not force it or damage may occur. If the umbrella does not open easily, it is because one of the rib connection points has been pushed in towards the pole and is locked in position. Slightly open the umbrella by inserting your fingers into the ribs and opening them slightly to allow free movement of the rope and to push the ribs away from the pole.
- C After making sure none of the ribs are locked, grab the rope and pull down to open the umbrella. Pull on the rope until the bottom hub is above the stop pin ③ hole located on the top half of the mechanism and push stop pin through the hole.

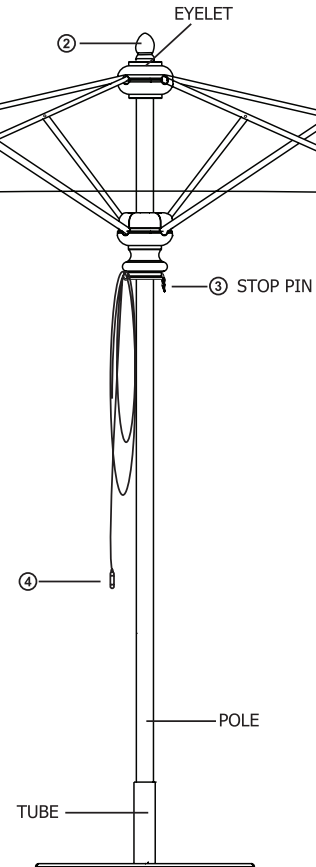
To close the umbrella pull down on the rope until the bottom hub is clear of the stop pin ③, remove the stop pin and lower the umbrella. Always fold and strap the canopy when the umbrella is not in use, or unattended. Damage can result from abrasion caused by wind if the umbrella is left closed and not properly folded and strapped. See canopy folding instructions for proper folding instructions.



Removal and installation of LOXX® upper parts and lower parts with washer (if you wish to wash your canopy).

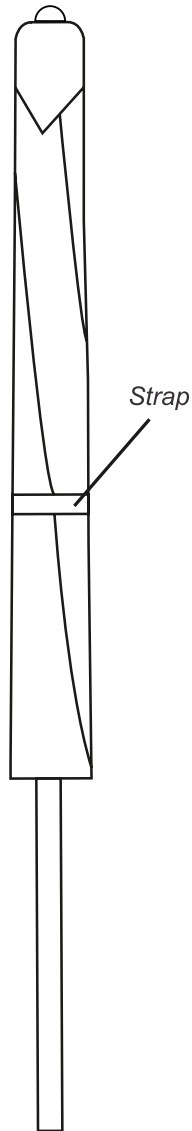


Use the supplied LOXX Spanner to remove and replace the LOXX system. Make sure that the washer is at least flush with the thread of the upper or lower part. The system won't close correctly if the washer is not flush with the thread of the upper or lower part.



CANOPY FOLDING INSTRUCTIONS

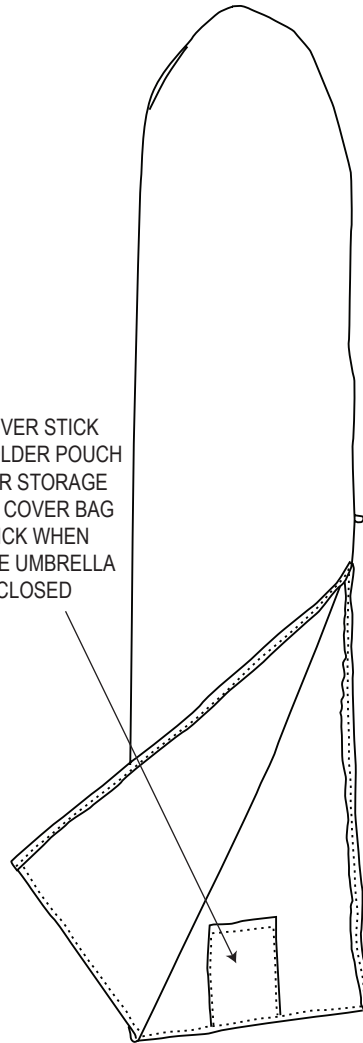
- 1 In order to avoid the canopy fabric from being jammed between the frame components, it is important to pull the fabric out from the umbrella structure by putting a finger under the edge of the canopy and pulling the fabric outwards. Do this for all the panels and fold the panels over each other like you would with a hand-held umbrella.
- 2 Tie the canopy strap tightly otherwise the canopy can move in wind conditions and get damaged through rubbing.
- 3 Place cover bag over umbrella to provide extra protection to prolong the lifespan and preserve the color of the canopy.
- 4 For extra protection always ensure your umbrella is in a dry condition before closing and applying the cover bag.



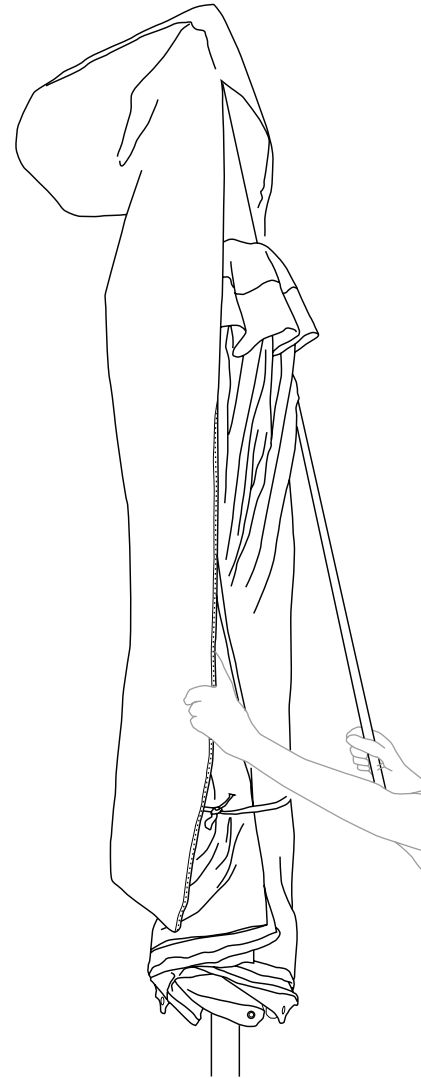
HOW TO FIT YOUR COVER BAG CORRECTLY

COVER STICK
HOLDER POUCH
FOR STORAGE
OF COVER BAG
STICK WHEN
THE UMBRELLA
IS CLOSED

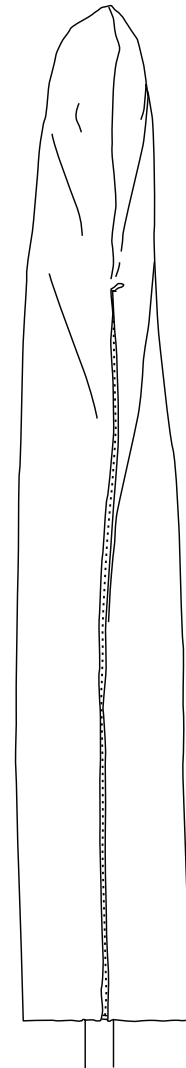
- 1 Lay out the cover bag flat on a table with the zip totally opened.



- 2 Insert the supplied cover bag stick into the bag all the way to the top, lift up the cover bag vertically and place it gently up and over the top of your closed umbrella.



- 3 Lower it into position and zip it closed. Cover bag stick can be placed in the special pouch within the cover bag for safe keeping.



CARE AND MAINTENANCE

Every Woodline shade solution is meticulously engineered to maximize not just their form and functions, but also to make sure that they outlast even the harshest conditions. Each item is crafted from the finest marine grade weather-resistant materials, specifically selected for their ability to endure. Though our shade solutions are built to last, the relentless and extreme nature of the outdoors dictates that proper care and maintenance will always extend the lifespan of any item.

FRAMES

Constructed from the finest quality aluminum, high grade stainless steel and durable and sustainable eucalyptus timber. Our frames have been tested in some of the world's most inhospitable environments and have only ever benefited from the appropriate application of caution and common sense in excessive wind conditions.

We advocate the use of our cover bags to prolong the life of the canopy frames and their covering fabrics. We recommend the closure and safe storage of any collapsible and removable components when the parasol is not in use or when winds are expected to exceed 24.8 mph (40 km/h).

WOODEN COMPONENTS

We only use sustainable eucalyptus timber hand-picked for its strength, weather-resistance, and replenishment efficiency from the world's finest FSC-accredited plantations and timber mills. Our wooden components are treated with marine yacht varnish to fortify them for outdoor living. We recommend the periodic care of wooden components with a light sanding and reapplication of the varnish coating once a year to maintain the natural beauty of the wood.



FITTINGS

All fittings, nuts, bolts, pulleys and cleat components are made with high grade stainless steel and weatherproof nylon. Maintaining these fittings and components is imperative to the longevity and the proper operation of the shade system. A simple occasional fresh water rinsing will help keep them working well and looking good.

BASES

It is essential to pick the right base for your parasol, talk to our sales team to ensure that the parasol you choose has the appropriate base to keep it anchored properly.

FABRICS

Our canopies and fabric covers are made from the most durable, colorfast, and dirt-repellent fabrics in the world. That said, proper care such as storage when not in use and cleaning from time to time will undoubtedly extend their lifespan.



UV RESISTANT



WATER/STAIN RESISTANT



BREATHABLE



MOLD RESISTANT



EASY CARE



PROTECTS FROM UV

WIND GUIDELINES

*The umbrella should always be closed during very windy conditions. As with all umbrellas, common sense wind guidelines prevail: if it is too windy to enjoy sitting outside under the umbrella, the umbrella structure should be lowered, folded and secured with the strap.

*When unattended, the umbrella structure should always be left in the closed position with the canopy folded properly, securely strapped with the cover bag placed over the umbrella.

*The umbrella structure must always be lowered, properly folded and strapped during heavy rains, thunderstorms, hail or any other severe weather conditions. Always anticipate to give time to properly fold the canopy, as during severe conditions if not folded properly, the fabric may become damaged.

*If very extreme weather conditions are anticipated, the umbrella structure should first be lowered, folded properly, strapped and placed in the cover bag. Then the entire umbrella structure should be removed from the base and stored in a clean, dry location.

www.woodlineshade.com | +1 848 266 0800