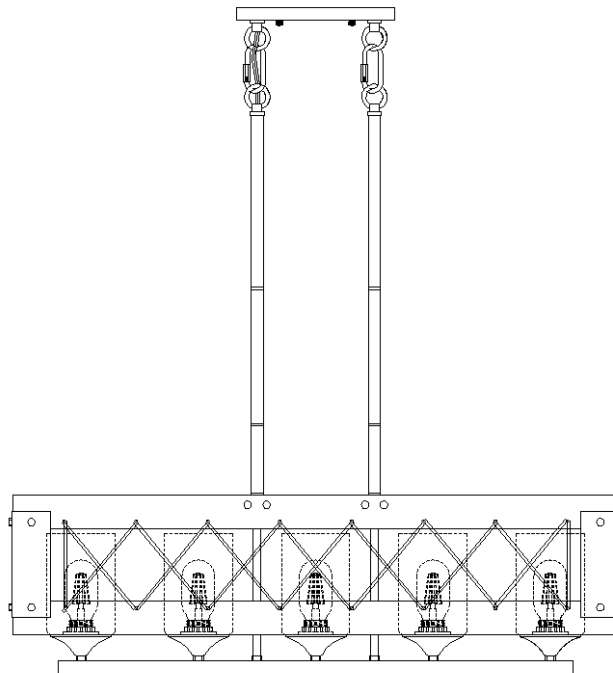


---

**WARNING** (To reduce the risk of fire, electric shock, or injury to persons):


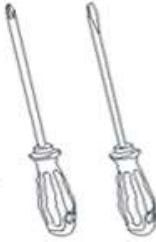

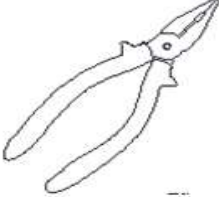

1. We suggest installation by a **licensed electrician**.
2. Please read the instruction carefully and save it as you may need it at later time.
3. Before you start, **NEVER** attempt any work without shutting off the electricity until the work is done. A). Go to the main fuse, or circuit breaker, box in your home. Place the main power switch in the “**OFF**” position. B). Place the wall switch in the “**OFF**” position.
4. Mounting surface should be clean, dry, flat, strong enough and 1/4” larger than the canopy on all side. Any gaps between the mounting surface and canopy exceeding 3/16” should be corrected as required.
5. Make sure that the ceiling or wall can stand the weight of the lamp before fixture.
6. Make sure the voltage you are using is **120V**. The maximum wattage is **60W** per bulb.
7. Keep the lamp away from acidic and basic objects in case of damaging the surface of the lamp.
8. When replacing bulb, you should turn off or unplug the lamp and you must wait until it is cool as bulbs get hot quickly.
9. The safety instructions appearing in this manual are not meant to cover all possible conditions that may occur. It must be understood that common sense, caution and care must be used with any electrical products.

**IMAGE FOR FINISHED PRODUCT:**



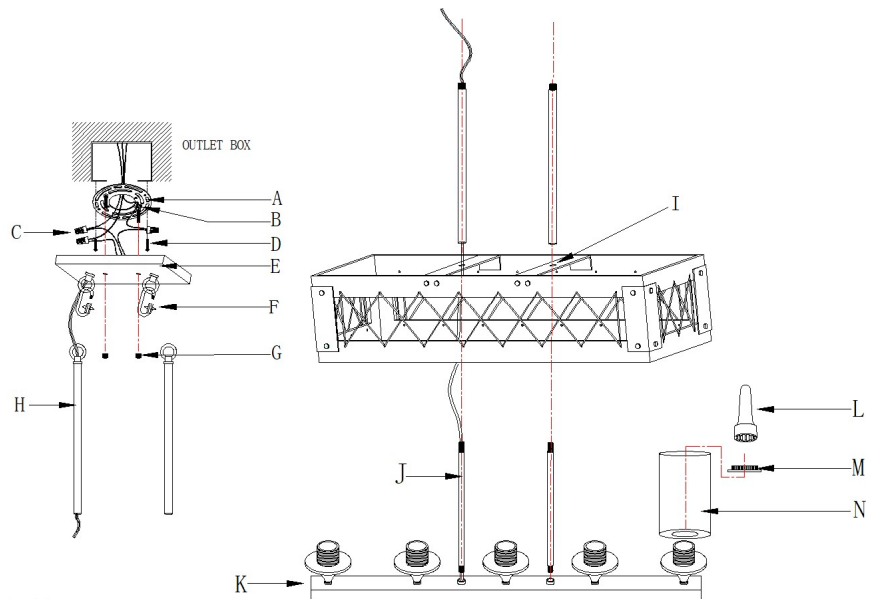
## TOOLS REQUIRED (NOT INCLUDED):

Before doing assembly and installation please prepare the needed tools as below picture

				
Ladder	Phillips head, flat blade screwdriver	Electrical tape	Pliers	Wire cutter/Stripper

## PARTS TYPE & QTY INCLUDING:

- (A) Round mounting plate (1)
- (B) Green ground screw (1)
- (E) Canopy (1)
- (F) Quick link (2)
- (G) Knob nut (2)
- (H) Tube (6)
- (I) Frame (1)
- (J) Stem (2)
- (K) Fixture (1)
- (M) Socket ring (5)
- (N) Glass (5)

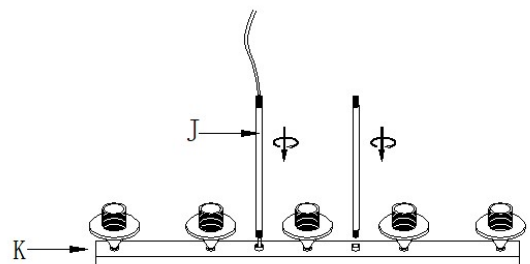


## ACCESSORIES & QTY ENCLOSED:

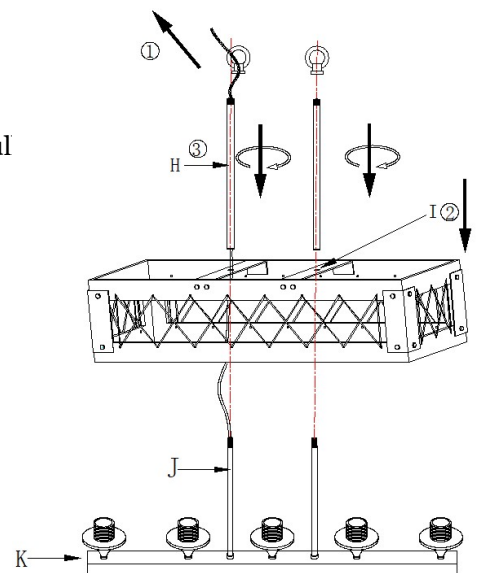
- (C) Plastic wire connector (3)
- (D) Mounting screw (2)
- (L) Spacer tool (1)

## ASSEMBLY & INSTALLATION INSTRUCTIONS:

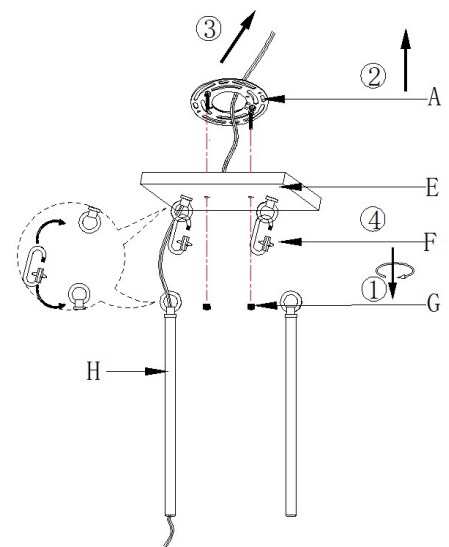
1. Carefully remove the fixture from the carton and check that all parts and accessories are included as shown in the above illustration .
2. **Turn off power**  
**Before you start to make installation, NEVER attempt any work without shutting off the electricity until the work is done. A). Go to the main fuse, or circuit breaker, box in your home. Place the main power switch in the "OFF" position. B). Place the wall switch in the "OFF" position.**
3. Slip stems (J) through fixture wires then thread the stems(J) onto fixture (K) till snug.



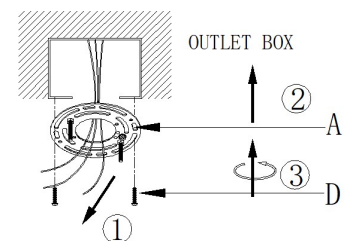
4. Gently pass wires through the hole of bars on frame( I ) and then put the frame( I ) onto the stems ( J )  
 According your desired hanging length , select and use the tubes ( H ) then pass the wires through the tubes(H) and the loops of tubes .Gently pul the wires and carefully thread the tubes(H) onto the fixture ( K ),thread the loops onto the tubes(H) .



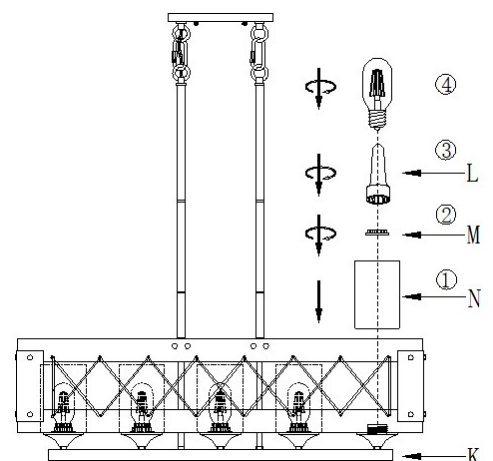
5. Unscrew the knob nuts ( G ) from canopy ( E ) then remove the mounting plate ( A )  
 Gently and carefully pass the wires through the loop to the top of canopy ( E )  
 Attach the quick links ( F ) to connect the loops of the canopy ( E ) and tubes ( H )



6. Pass the wires from outlet box through the mounting plate ( A )  
 Attach the mounting plate ( A ) to outlet box with the mounting screws ( D )



7. This is accomplished by removing socket ring ( M ) from the socket.  
 Position glass ( N ) onto the socket of fixture ( K ), Use the spacer tool ( L ) to thread the socket ring ( M ) to secure the glass ( N ) in place.  
 Install bulb ( Not included. Please do not exceed the maximum capacity recommended on the socket. )

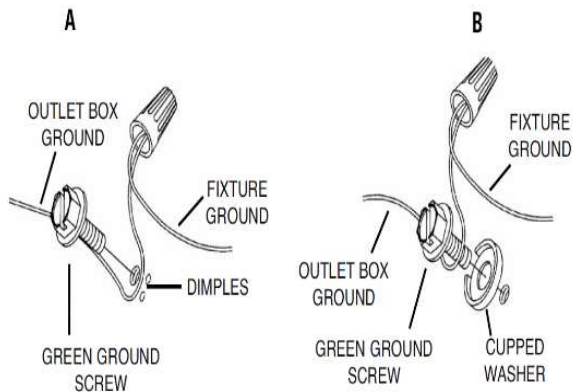


8. Make wire connections

Connect wires as below wires connecting shown. **TAKE NOTE OF YOUR COLOR OF FIXTURE , NEVER CONNECT WIRES TO GROUND WIRES**

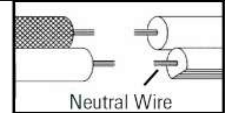
**Connect ground wire according to below chart**

**Connect wires according to below chart**



Connect Black or Red Supply Wire to:	Connect White Supply Wire to:
Black	White
*Parallel cord (round & smooth)	*Parallel cord (square & ridged)
Clear, Brown, Gold or Black without tracer	Clear, Brown, Gold or Black with tracer
Insulated wire (other than green) with copper conductor	Insulated wire (other than green) with silver conductor

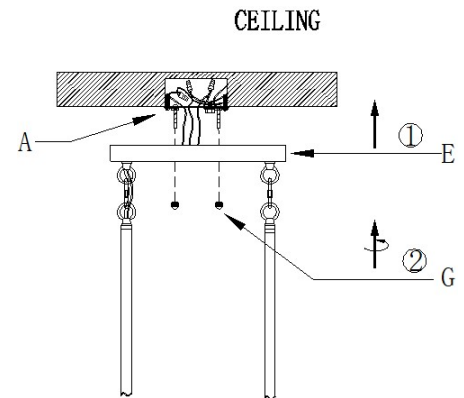
\*Note: When parallel wires (SPT I & SPT II) are used. The neutral wire is square shaped or ridged and the other wire will be round in shape or smooth (see illus.)



Twist plastic wire connector (D) until wires are tightly joined together, wrap each connector with approved electrical tape and carefully tuck all wires into the outlet box .

9. Raise canopy (E) to ceiling and align the holes in the canopy (E) with the mounting screws, then attach the canopy (E) using the previously removed knob nuts (F). Hand tighten until snug.

**Note: The canopy (E) should be snug against the ceiling and the knob nuts (F). If not, adjust the length of the nipples on the mounting plate assembly (A) by unscrewing the preassembled hex nuts and then screwing the mounting screws in or out of the mounting plate until the length is achieved. Tighten the hex nuts and proceed to the step 8**



10. Check everything is already installed properly, then you could turn on the light.

**CLEANING**

To clean, wipe fixture with a soft cloth. Clean glass with a mild soap. Do not use abrasive materials such as scouring pads or powders, steel wool or abrasive paper.

**ORDERING PARTS**

Keep this sheet for future reference, and in case you need to order replacement parts. All parts for this fixture can be ordered from place of purchase. Be sure to use exact wording from illustration when ordering parts.