

TV CABINET 4 DRAWER (WHITE)

ASSEMBLY INSTRUCTIONS

Read this instructions carefully. See hardware and furniture part list for guidance.

Be sure all part is complete before you assemble.

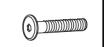


Place all wooden furniture part on a clean and flat soft surface to prevent from being scratched.

Follow the figure to start assembling.

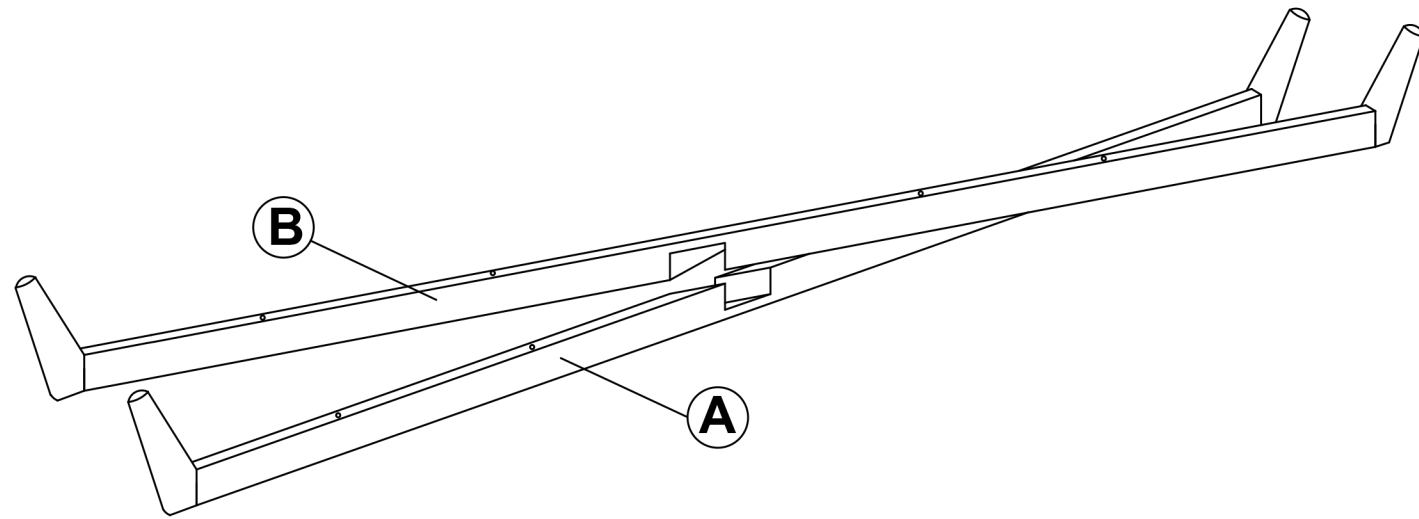
- CAUTIONS:**
1. Do not **FULLY-TIGHTEN** the nut or nut bolt until all nut or bot is ready assembled.
 2. Do not **OVER-TIGHTEN** the nut or nut bolt to avoid causing damages to the thread.
 3. Keep all hardware out of reach of children.

NOTE: THE LIST AND QUANTITY SHOWN ARE FOR 1 UNIT ASSEMBLY.

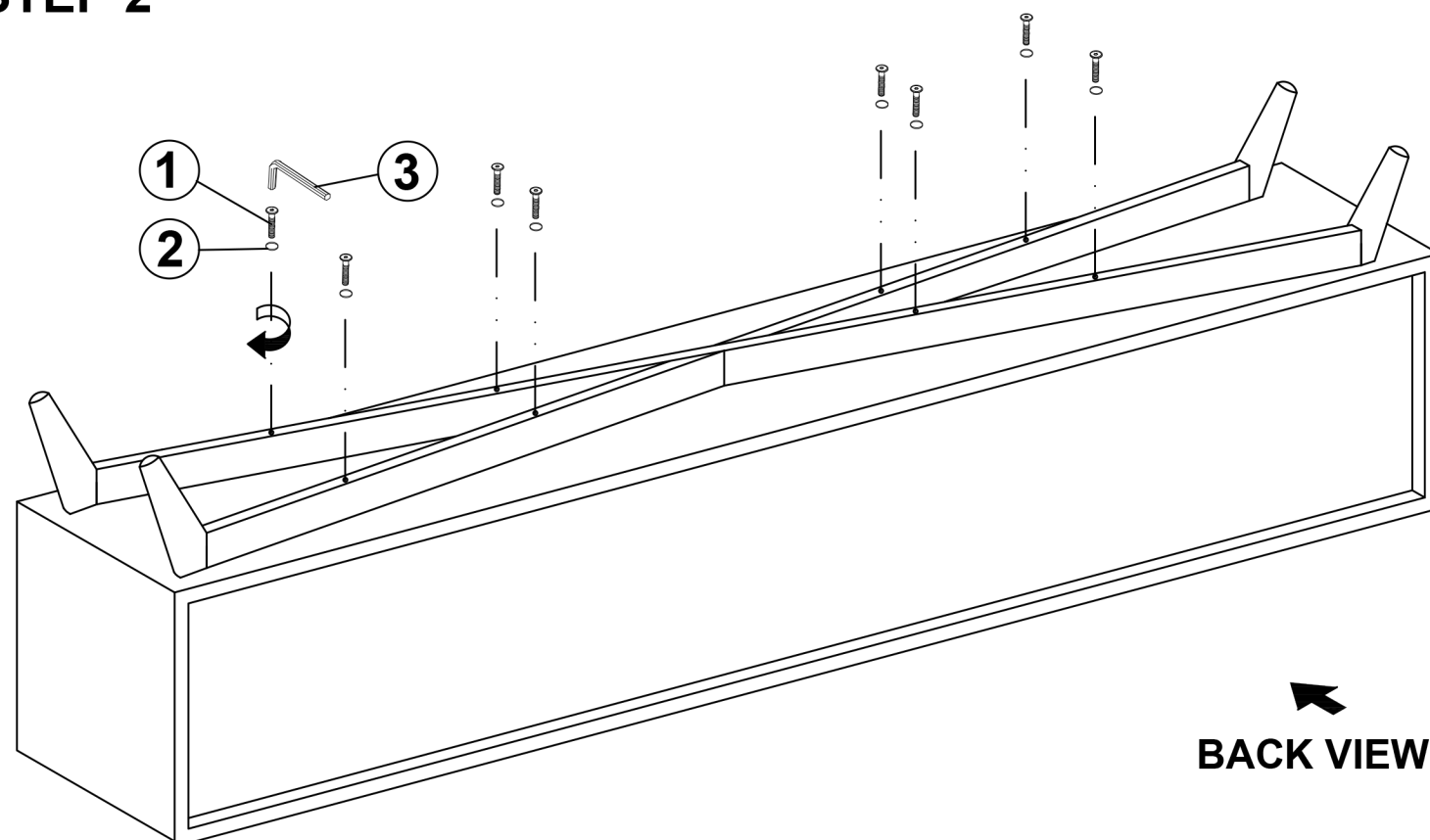
PART LIST		
NO	DESCRIPTION	QTY
A	LEG FRAME (UPPER)	1PC
B	LEG FRAME (LOWER)	1PC

HARDWARE LIST		
NO	DESCRIPTION	QTY
1	JCBC M6 x 50MM 	8PCS
2	SPRING WASHER 	8PCS
3	ALLEN KEY M4 	1PC

STEP 1



STEP 2



COMPLETED ASSEMBLY

