

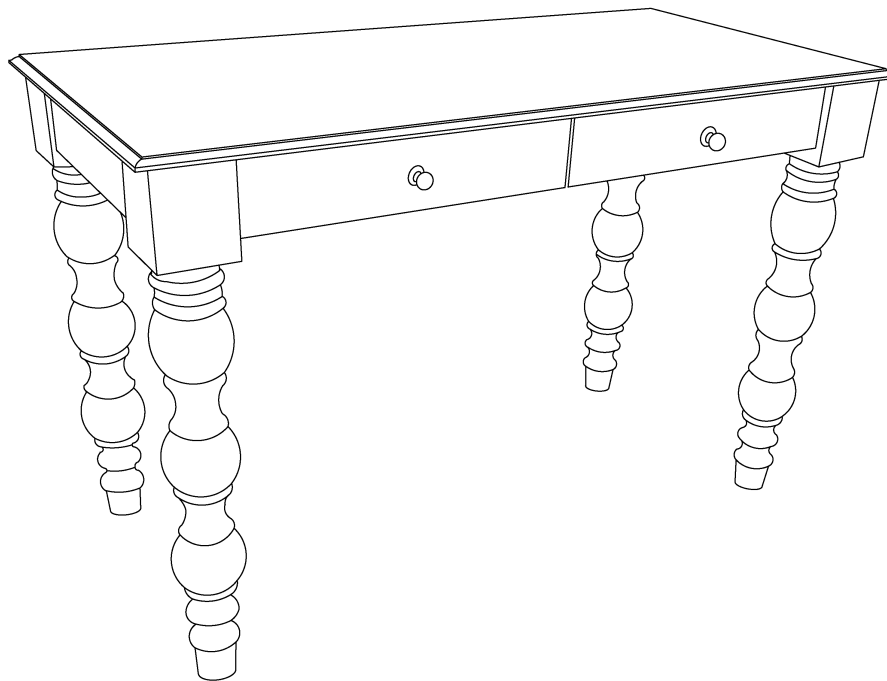
ASSEMBLY INSTRUCTIONS

CL-DE003

48"x24"x31" - MANGO 2-DRAWER DESK WITH TURNED LEGS

BEFORE BEGINNING:

- 1 - Carefully unpack and position the items on a clean, non-marring surface to assemble.
- 2 - Read this Assembly Instruction from beginning to end before starting assemble.
- 3 - Take inventory of the required parts to ensure all are available.
- 4 - To prevent accidental choking hazards, keep all packing materials away from small children.
- 5 - Only tighten hardware until all hardware are fully engaged on their locations. Over tighten bolts will damage the bolts threads.
- 6 - Use only factory provided hardware to assemble. Unapproved hardware can damage product or jeopardize the structural integrity of the product.



Assembly Requires
Two People.



20 - Minute
Assembly Time



Keep Instructions
For Future Use



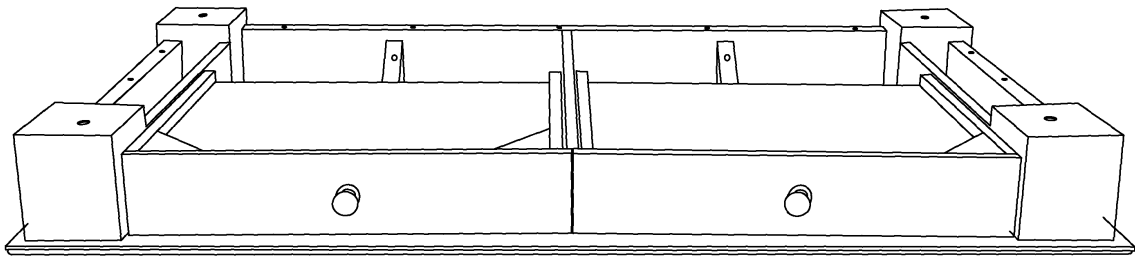
Do Not Use
Power Tools

ASSEMBLY INSTRUCTIONS

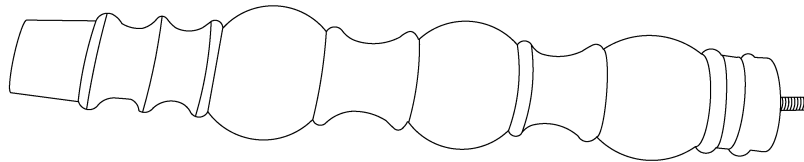
CL-DE003

48"x24"x31" - MANGO 2-DRAWER DESK WITH TURNED LEGS

PARTS LIST



P1 - x1



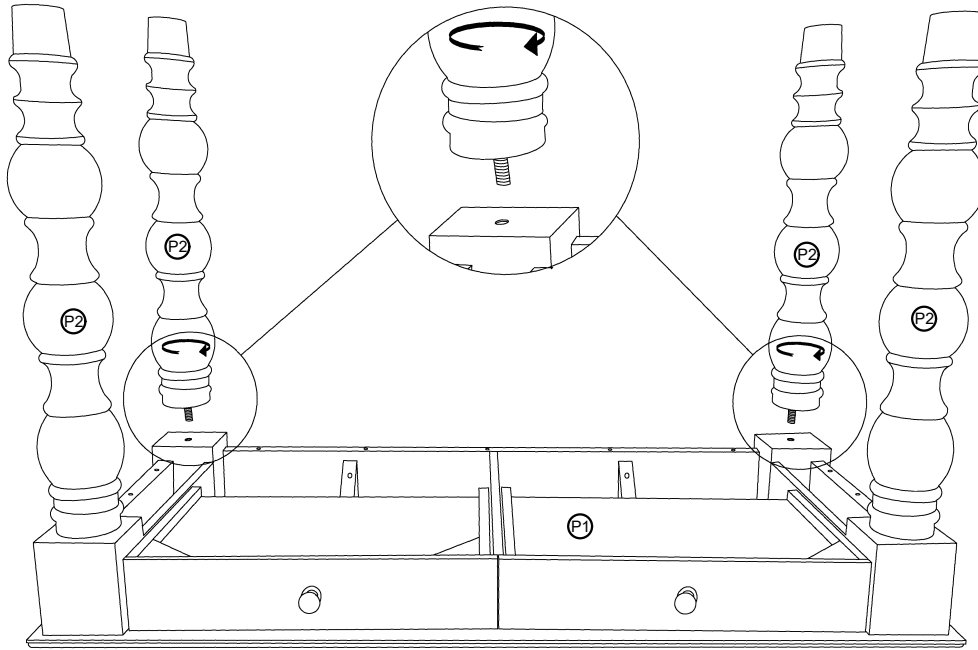
P2 - x4

ASSEMBLY INSTRUCTIONS

CL-DE003

48"x24"x31" - MANGO 2-DRAWER DESK WITH TURNED LEGS

STEP 1



STEP 2

