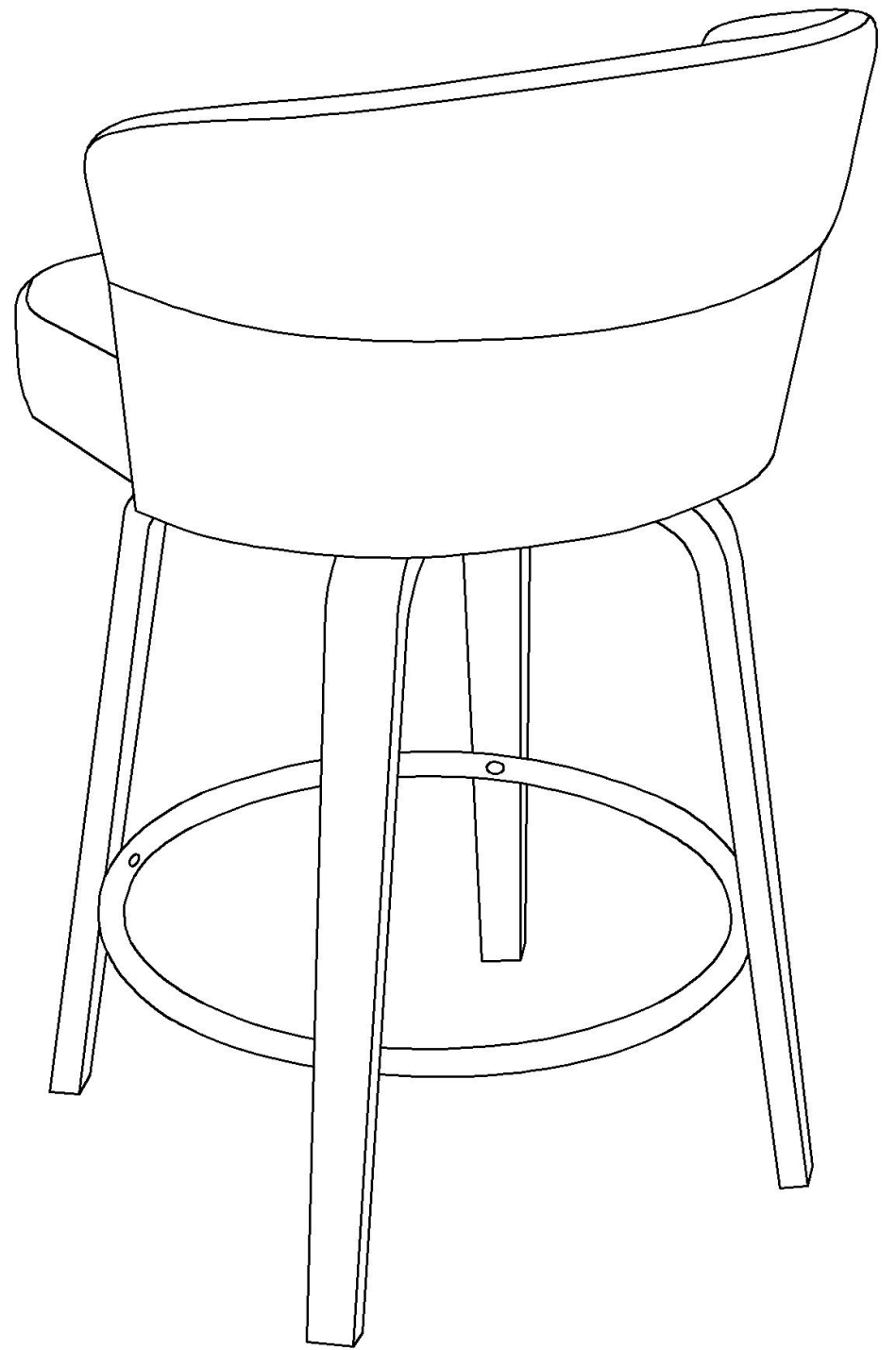
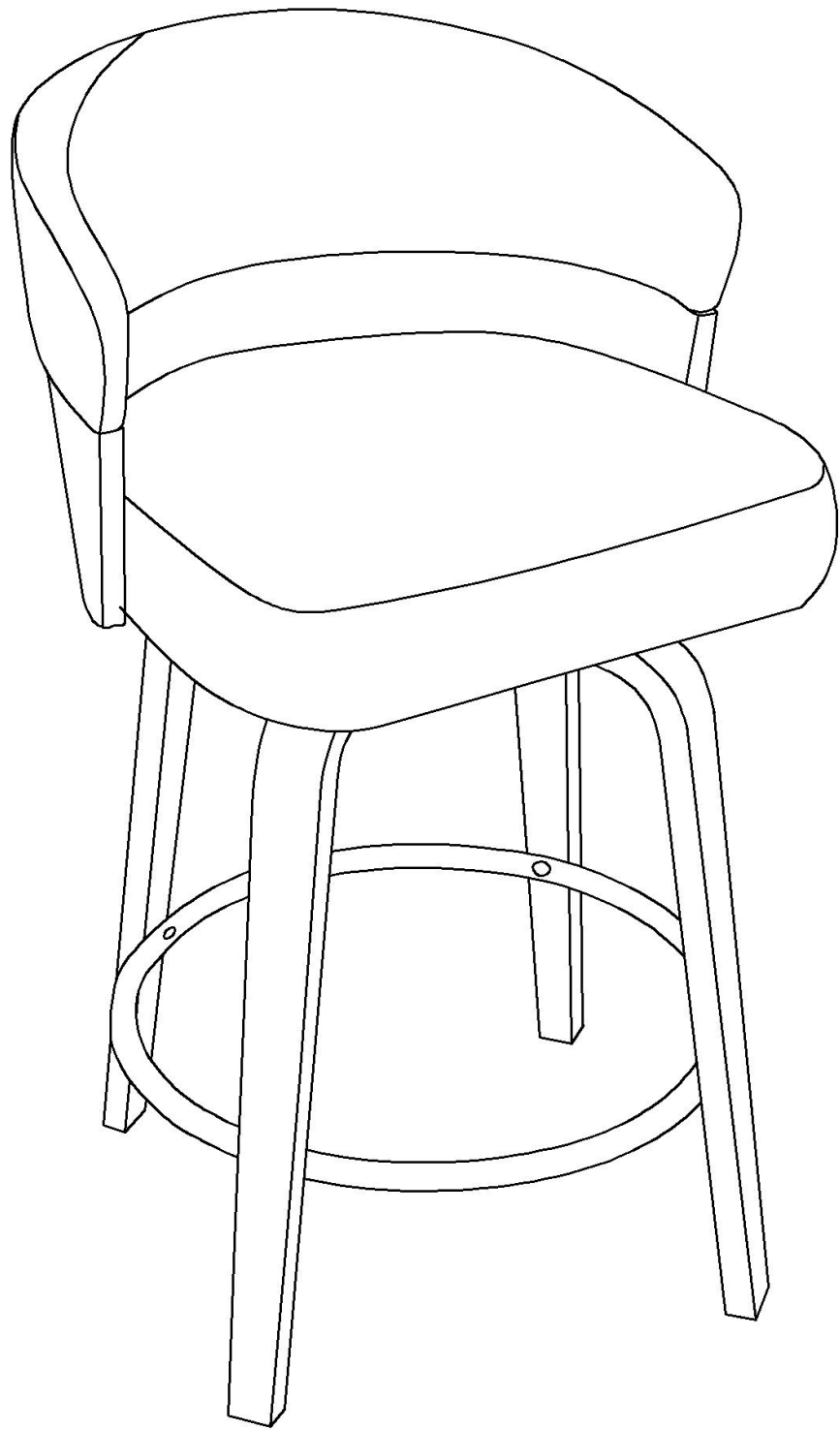


Assembly Instruction

Counter & Bar Height Swivel Stool



Thank you for choosing our product.

We are committed to delivering exceptional customer service to ensure your satisfaction.

Parts Confirmation:

- Upon unpacking, verify that all parts listed in the manual are present.
- If any parts are missing or incorrect, please notify us immediately. We will promptly arrange replacements, or other solutions to ensure the issue is resolved.

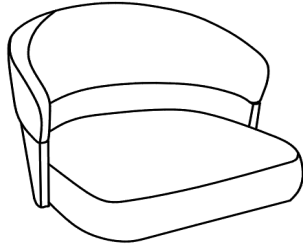

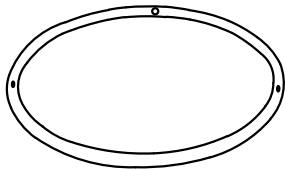
Assembly Guidance:

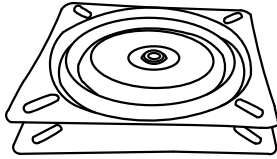
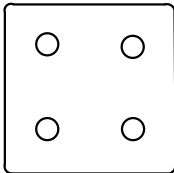
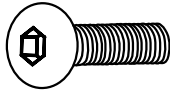
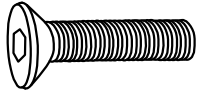
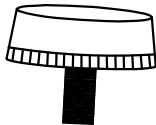

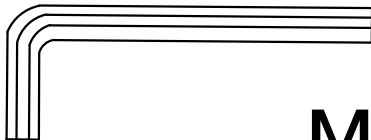
- Carefully review the instruction manual before assembly.
- The manual has detailed steps, but it might not cover all situations. If you need help or have questions, contact us and we'll respond quickly.

Shipping Note

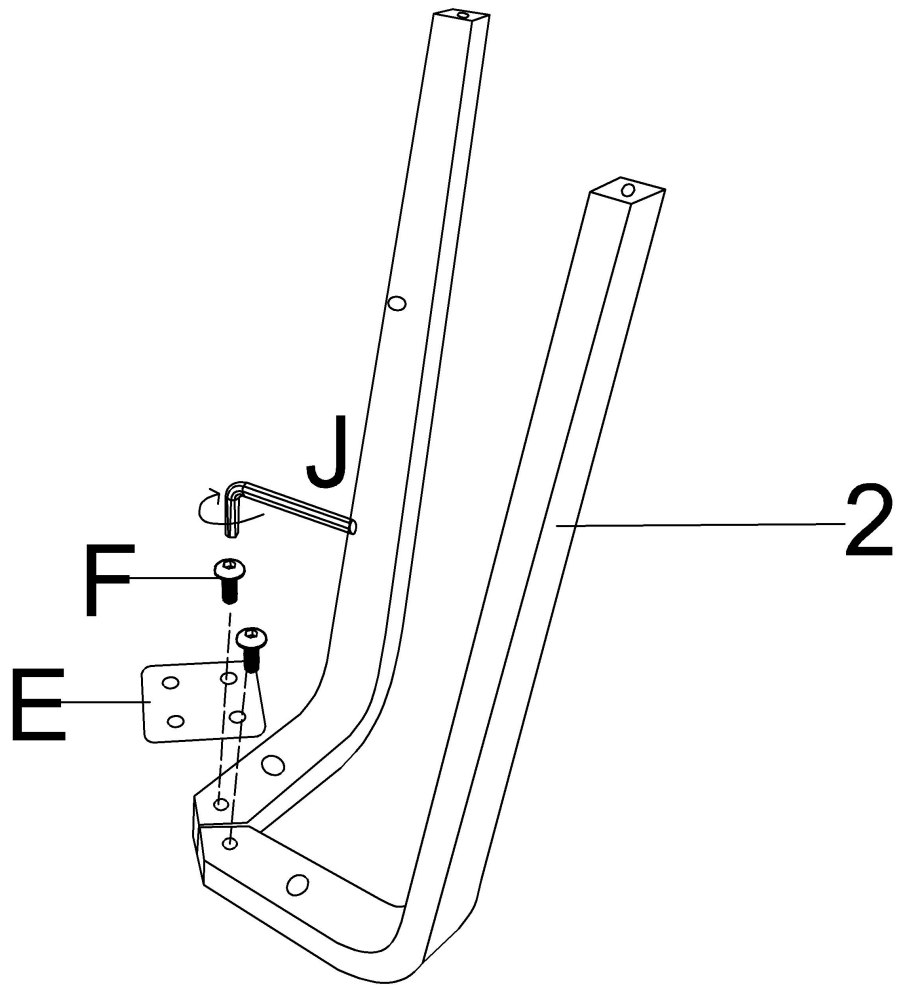
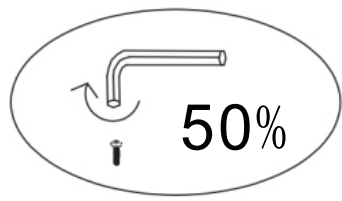
- If you purchased multiple packs, kindly note that the items in your order might come in separate packages. We appreciate your patience during delivery.

Parts List

Number	Name	Part	Qty
1	Seat		X1PC
2	Wood Legs		X4PC
3	Footrest		X1PC

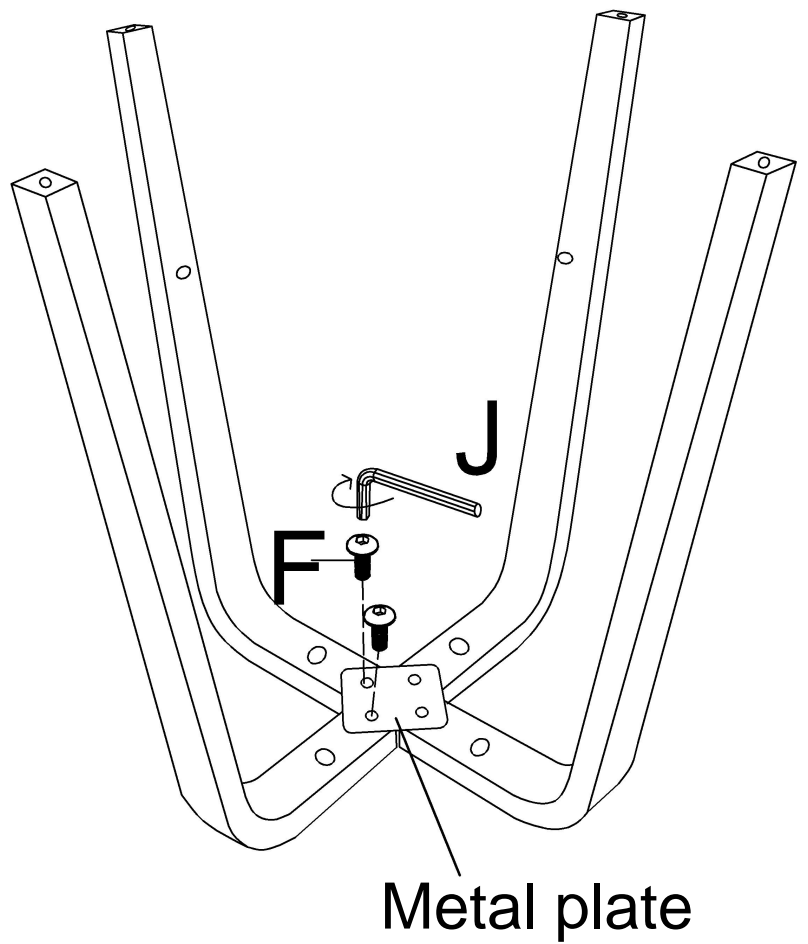
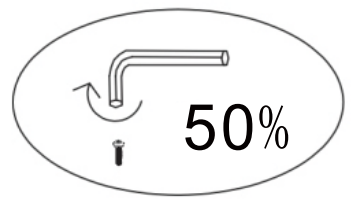
Number	Hardware	Part	Qty
D	Swivel Gear		X1PC
E	Metal Plate		X1PC
F	M6*20mm		X12+1EXT
G	M6*30mm		X4+1EXT
H	Foot levelers		X4+1EXT
I	Allen Wrench	 M4	X1PC
J	Allen Wrench	 M6	X1PC

01



02

Tighten the four screws to a depth of 50%.

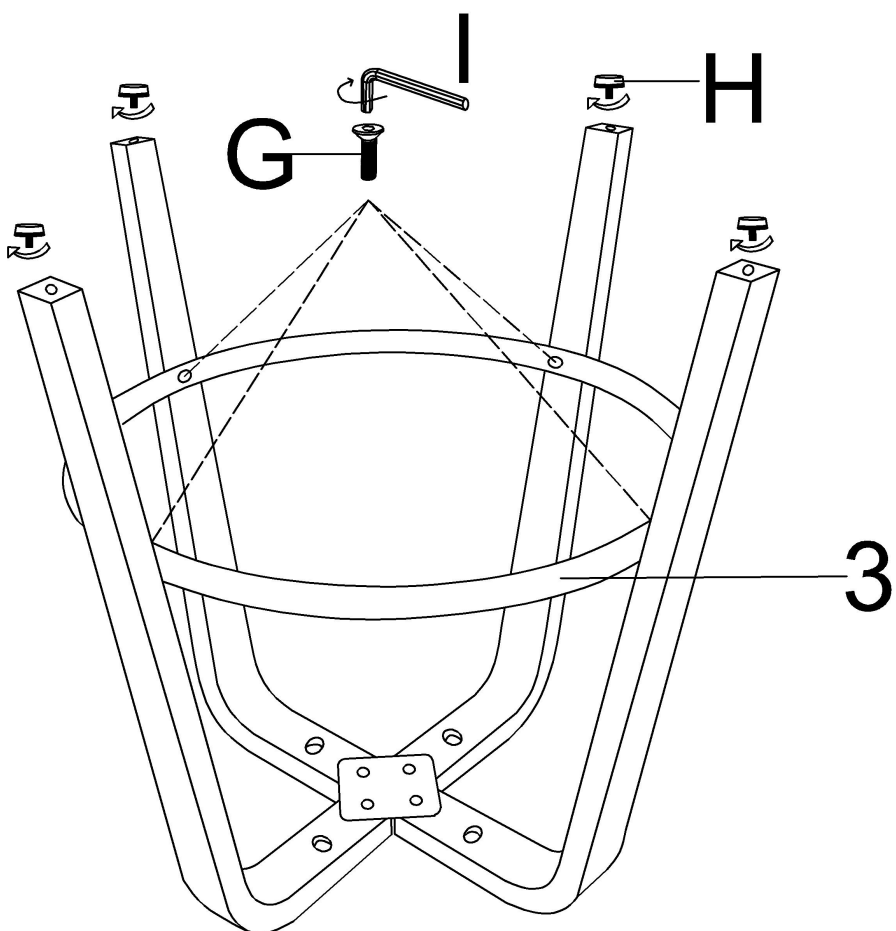
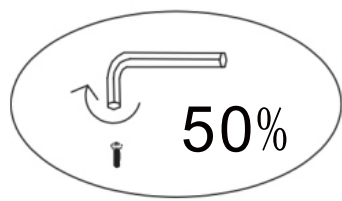


Tip:

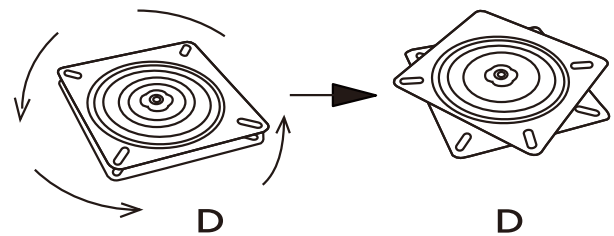
If the screw hole on the last leg cannot align with the hole, loosen the screws on the front three legs to adjust the distance.

03

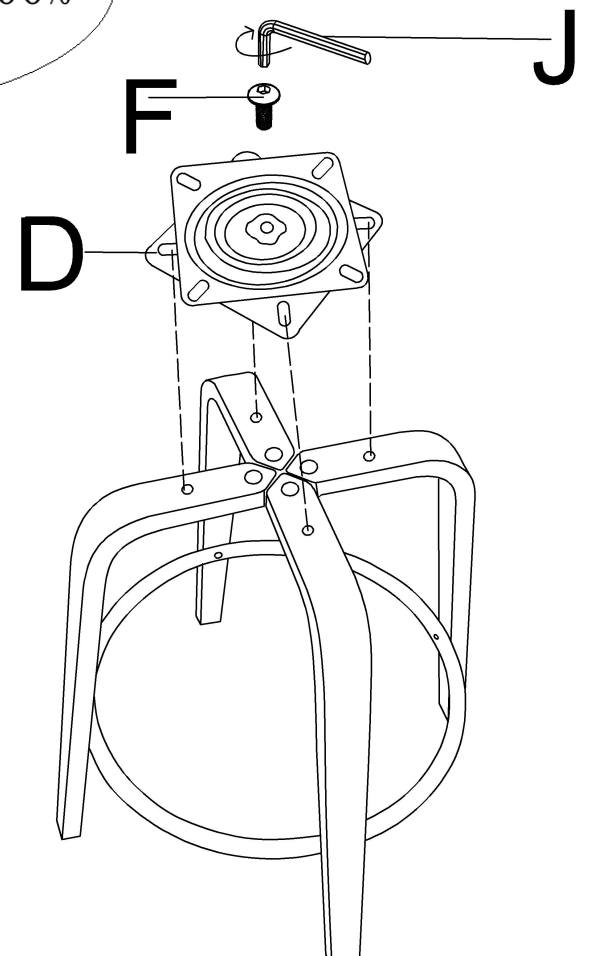
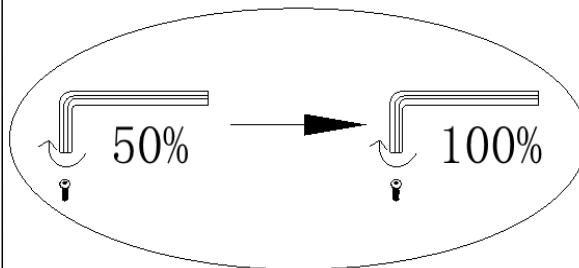
Tighten the four screws to a depth of 50%.



04

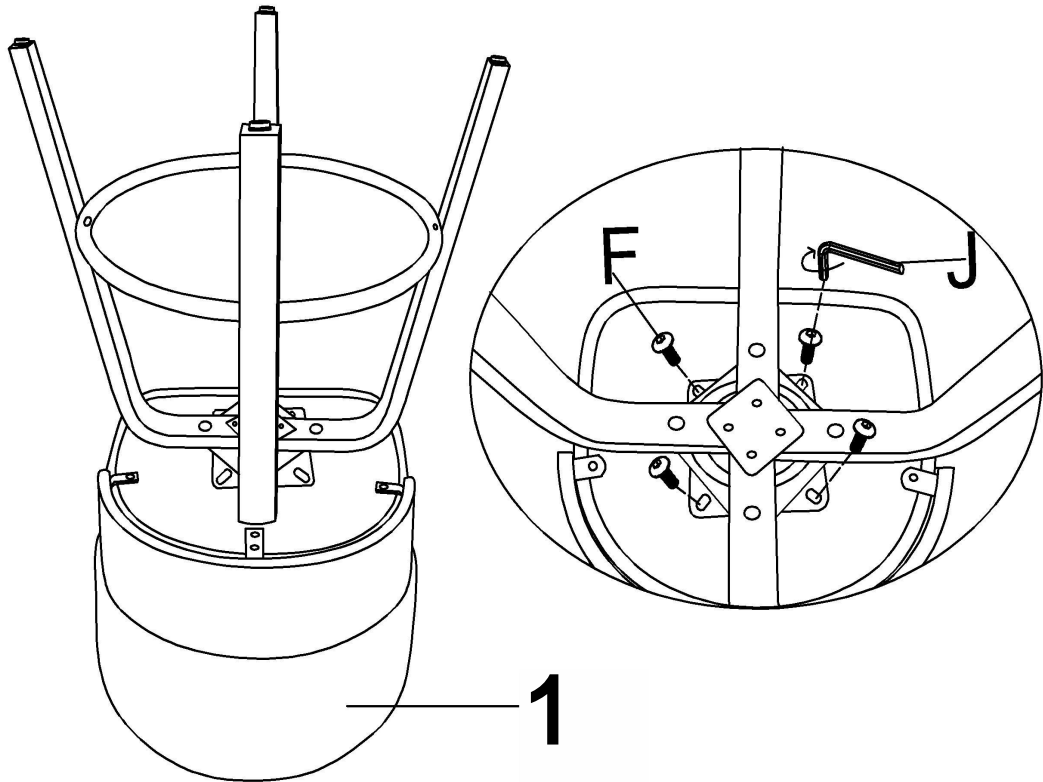
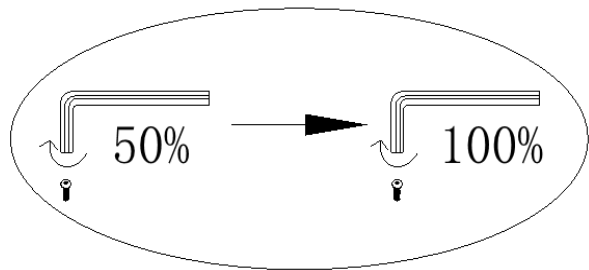


Swivel part (D) before install



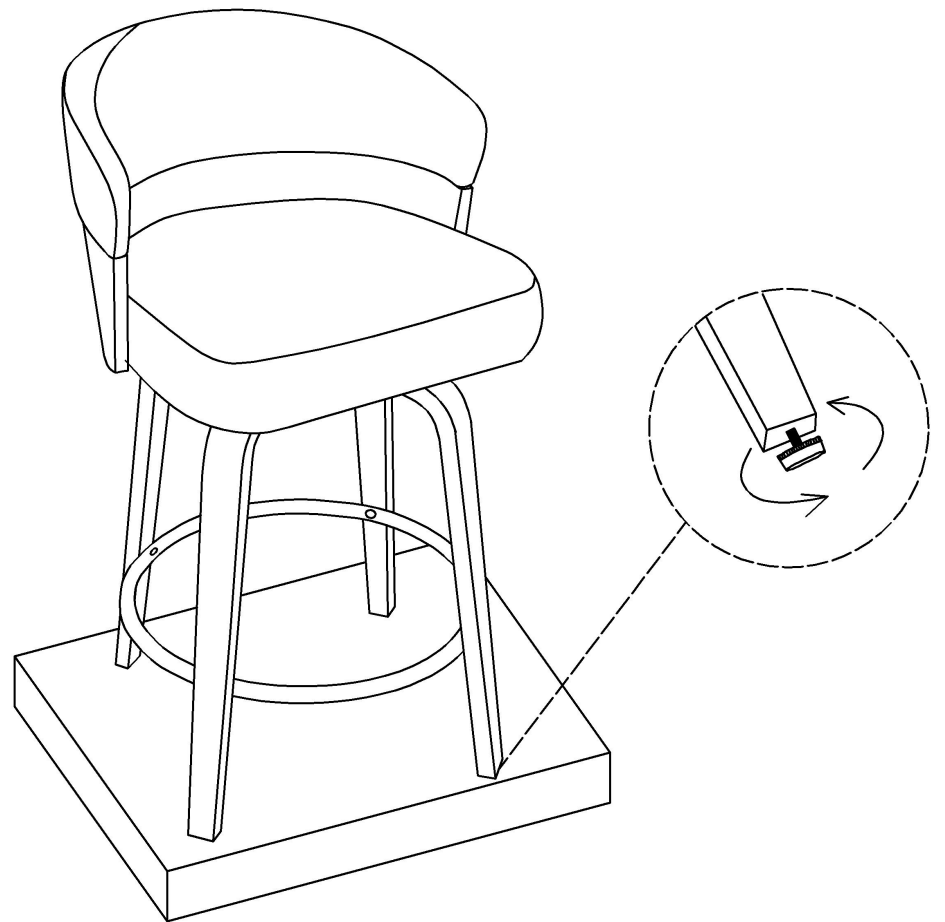
Finally tighten all screws to a depth of 100%.

05






06

Assembly complete





**Note:**

Each leg has an adjustable foot leveler to help level your chair. Rotate it to ensure the chair is flat on the floor !

Safety Guidelines

-  Periodically inspect and tighten bolts to prevent loosening during use.
-  Ensure all hardware remains securely fastened before using.
-  Do not allow children to climb or jump on the stool.

Care Instructions

-  Avoid placing hot items, direct sunlight, or harsh chemicals on the furniture
-  Wipe dust with a soft, clean, lint-free cloth.
-  Use adjustable foot levelers on each leg to stabilize the chair on uneven floors.
-  Note: Indoor Use Only: Do not place the furniture outdoors or in damp environments.

Thank you for your purchase