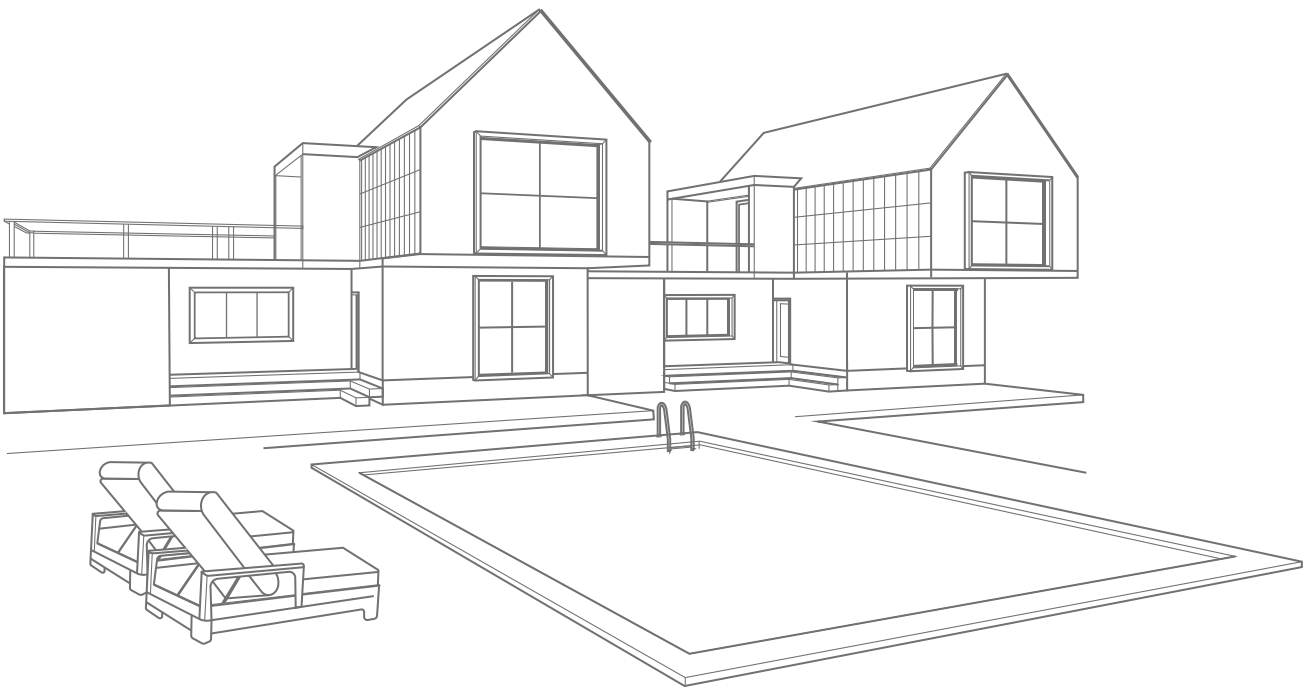
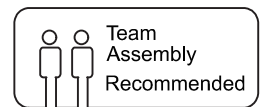
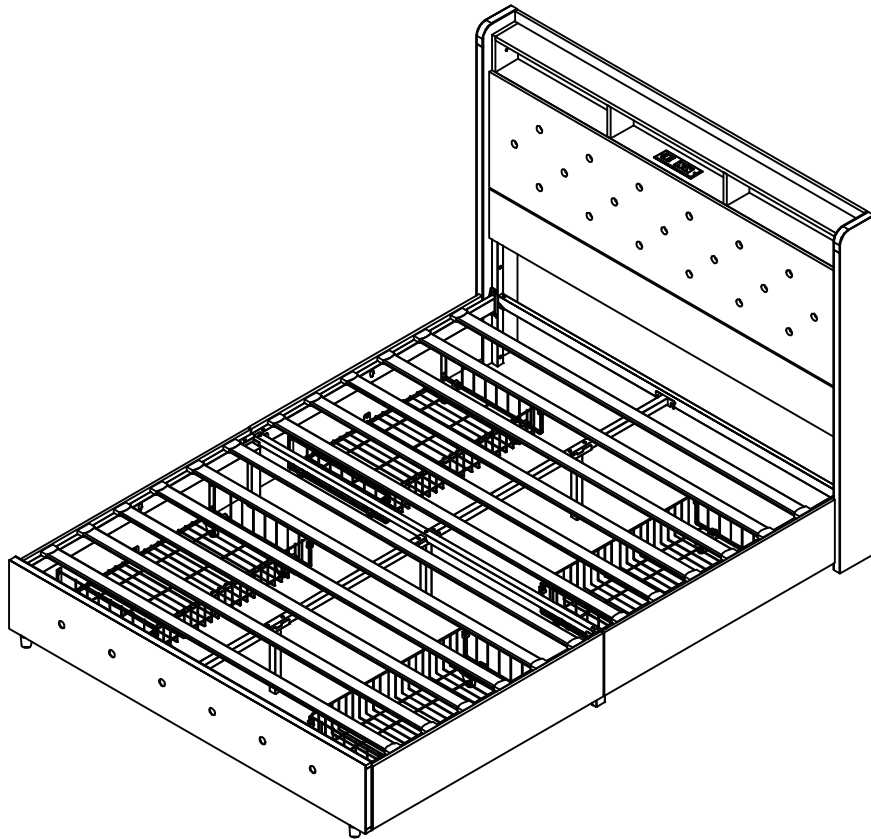


Owner Manual



Bed Frame Installation Manual



Trouble shooting:

Missing / Wrong / Broken parts and installation issues



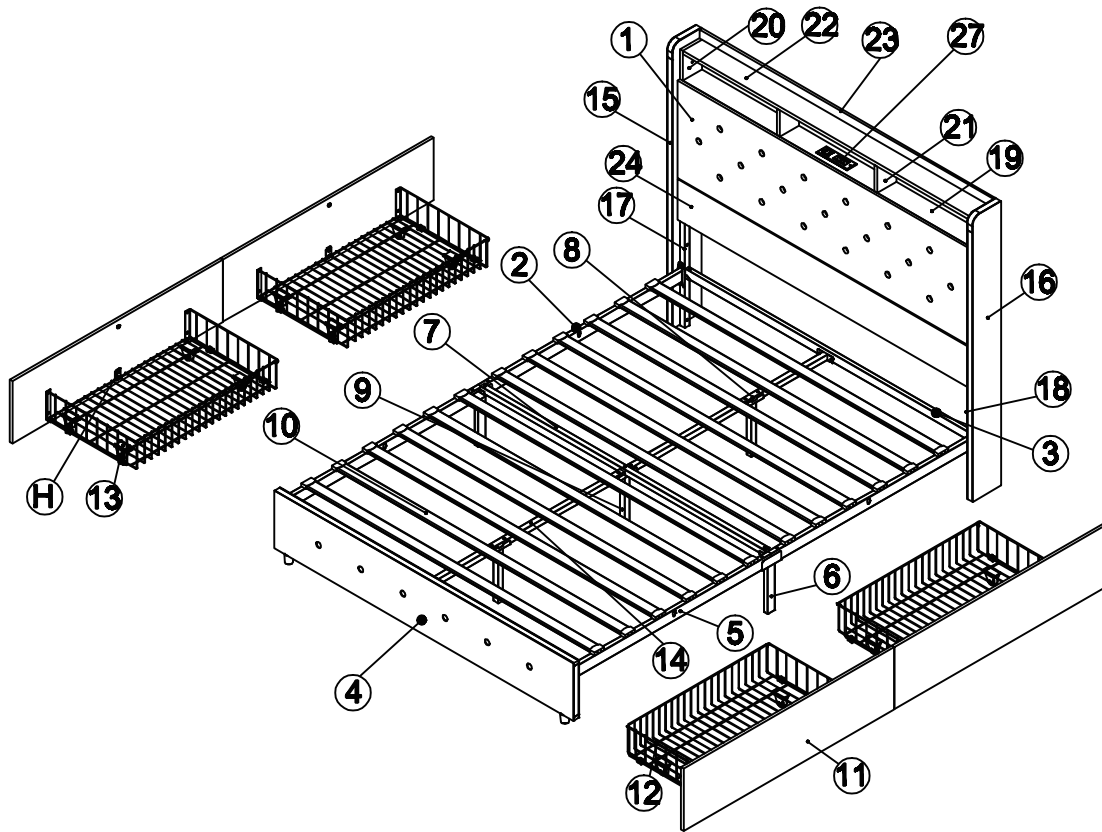
Send email with your question, pic and order NO.



Respond within 24 hours

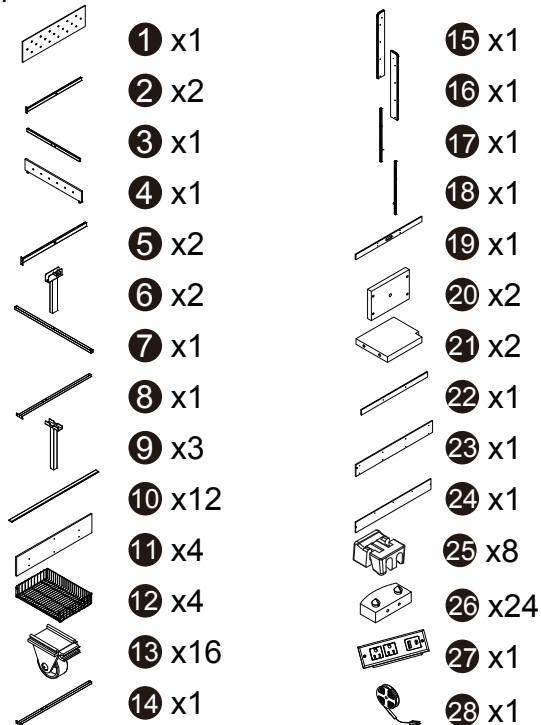


Issue resolved



Note: Don't tighten all screws during installation.

Components



Check all the components & screws before assembly.
Do not install in case part is missing, contact us to get.
 Send email with your question, we will resend within 24 hours

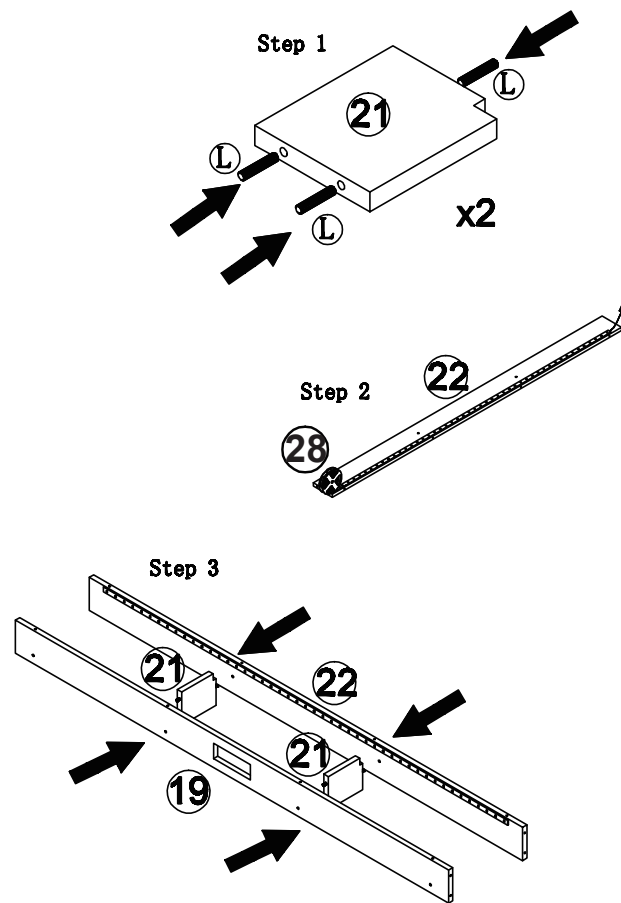
Components


A		M6*12mm	x38
B		M6*35mm	x8
C		M8*20mm	x12
D		M8*35mm	x10
E		M8*45mm	x9
F		M8*60mm	x4
G		4#	x1
J		Ø5*38mm	x16
K		3#	x1
L		Ø6*30mm	x6
M			x4
N		Ø3*12mm	x2
H			x3
I			x4

Gasket*8

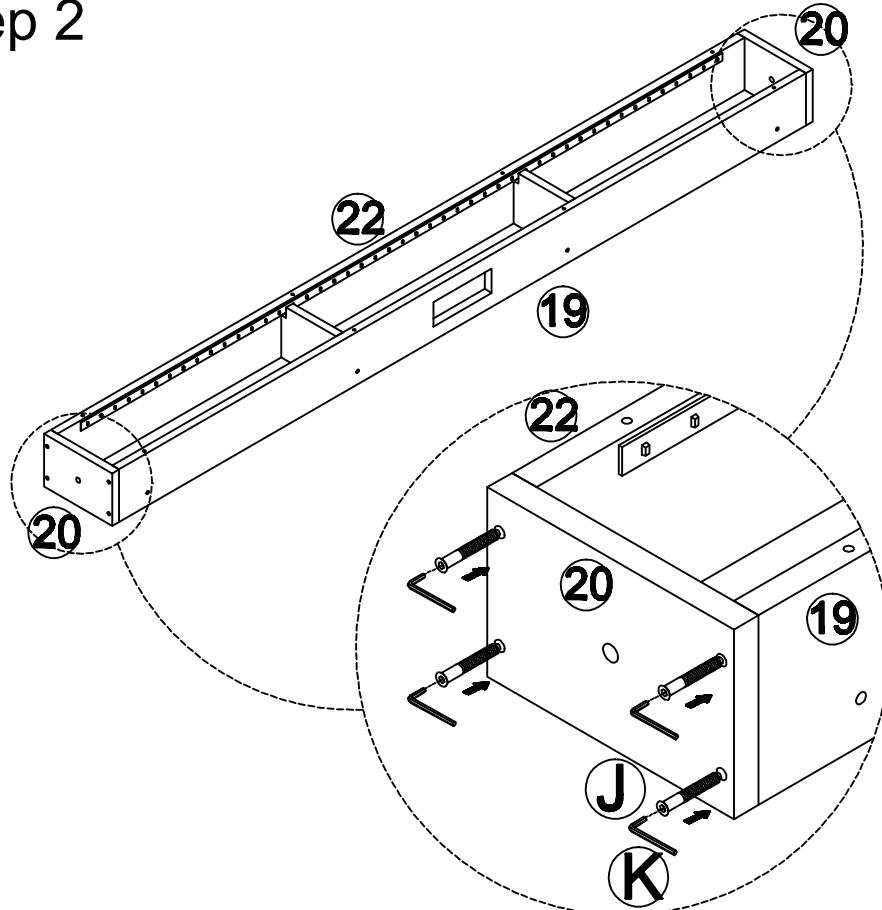
Check all the components & screws before assembly.
Do not install in case part is missing, contact us to get.
 Send email with your question, we will resend within 24 hours



Step 1



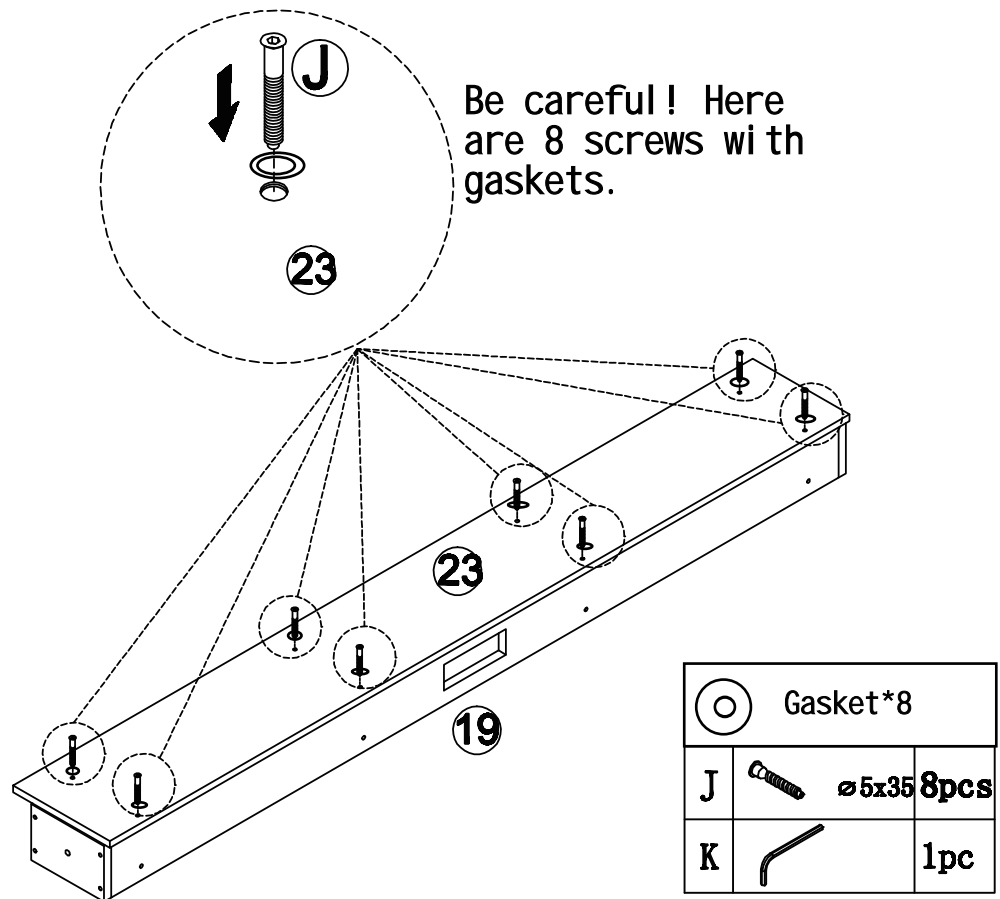
L		ø6x30	6pcs
---	--	-------	------

Step 2

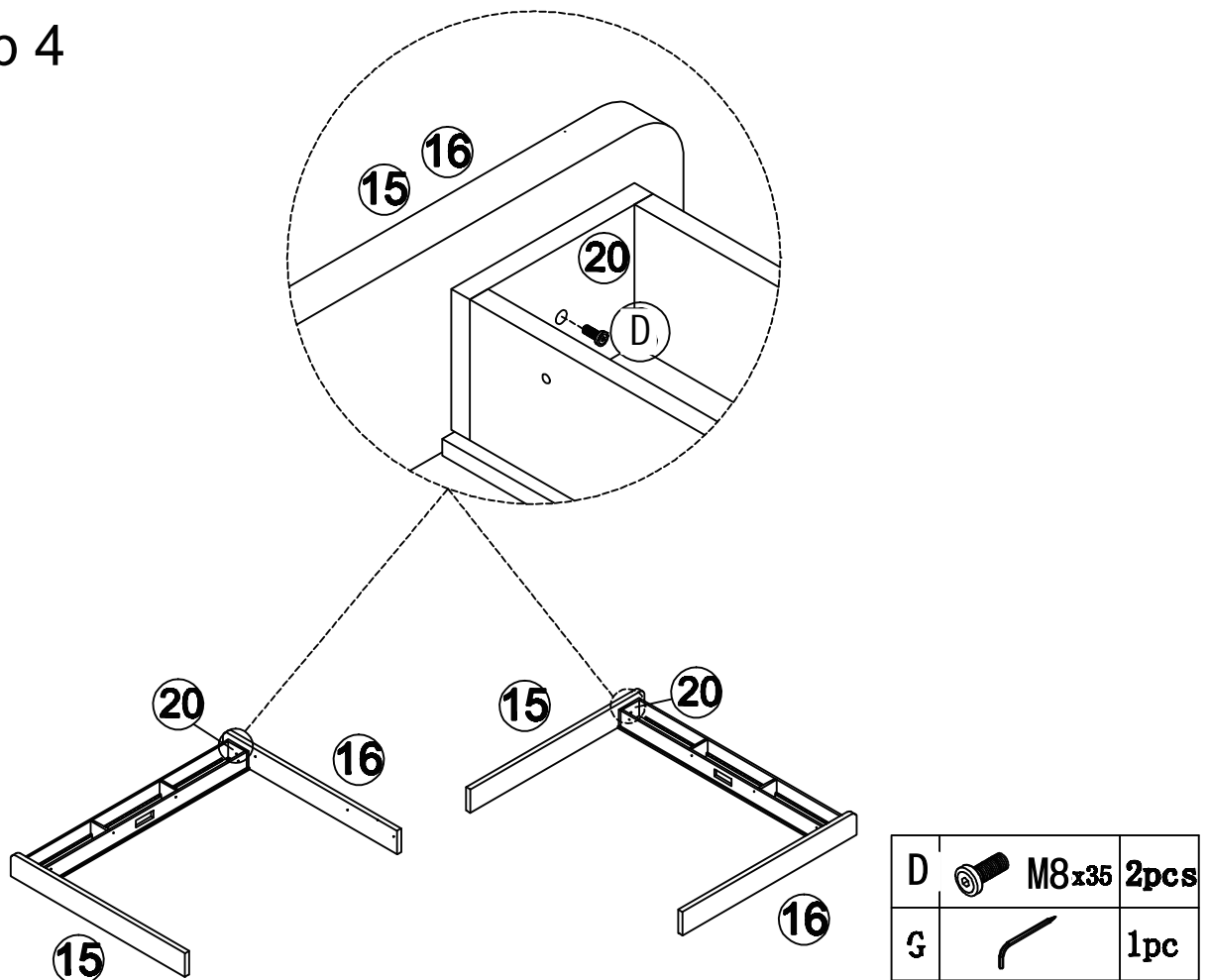


J		ø5x35	8pcs
K			1pc

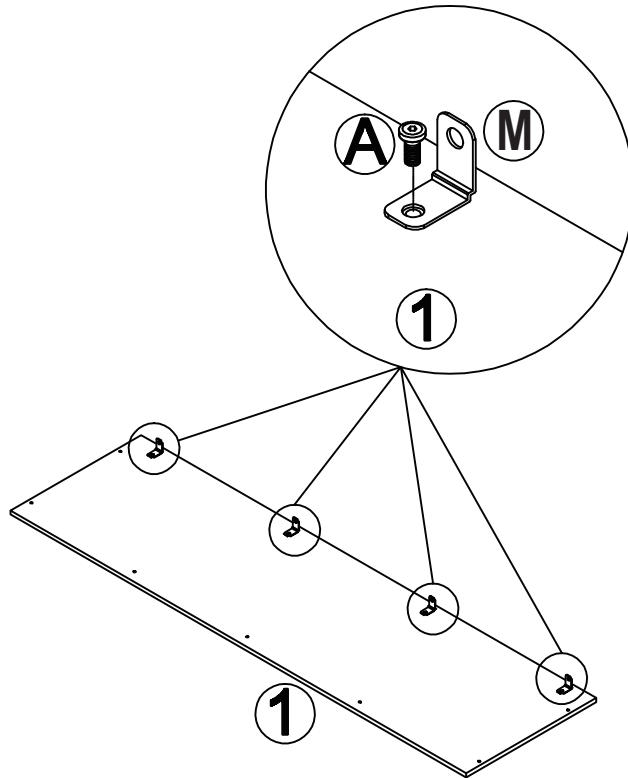
Step 3




Step 4

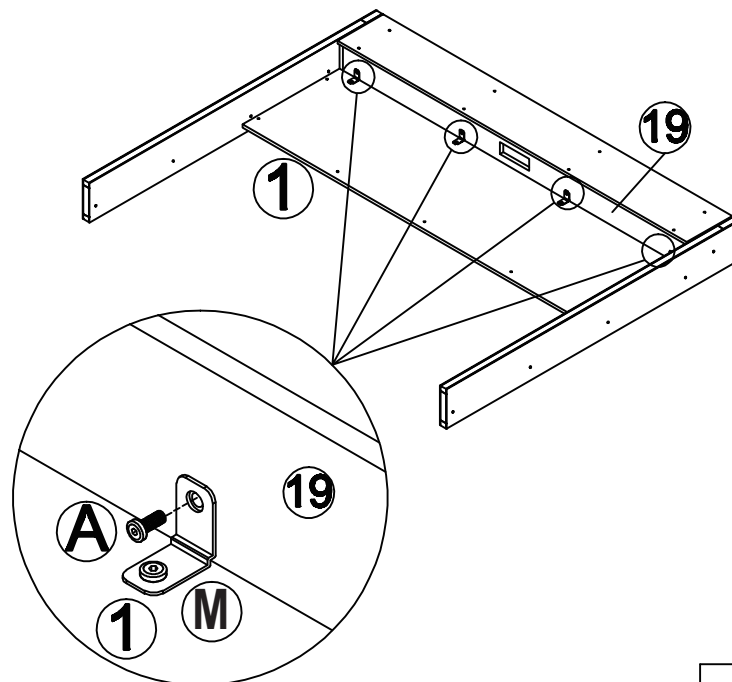




Step 5



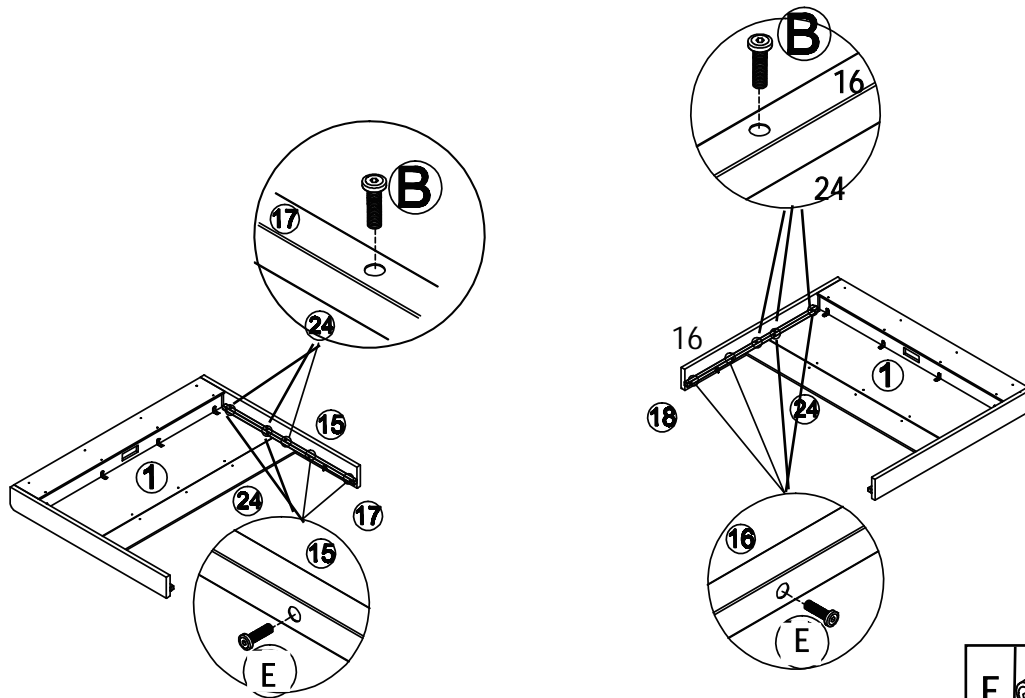
A		M6x12	4pcs
M			4pcs
G			1pc




Step 6



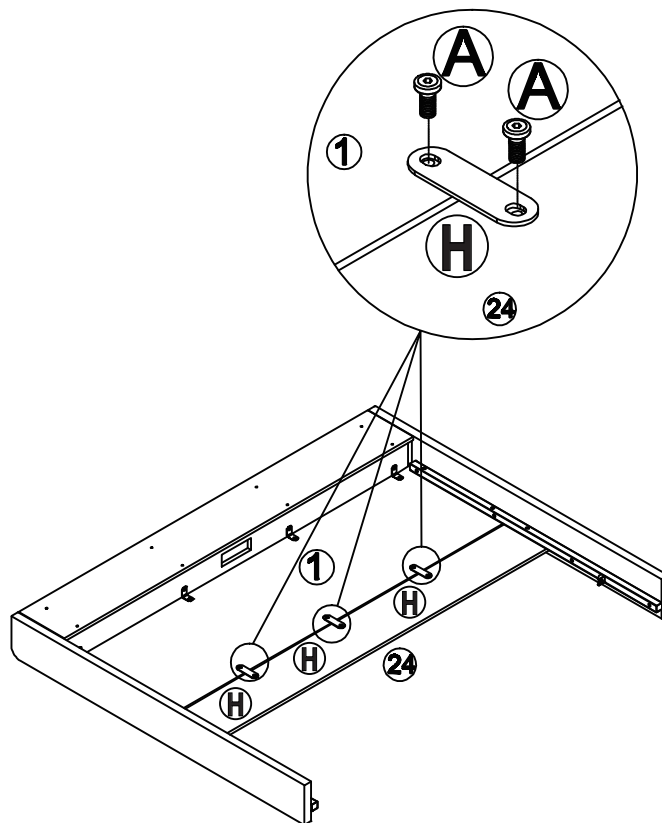
A		M6x12	4pcs
G			1pc




Step 7



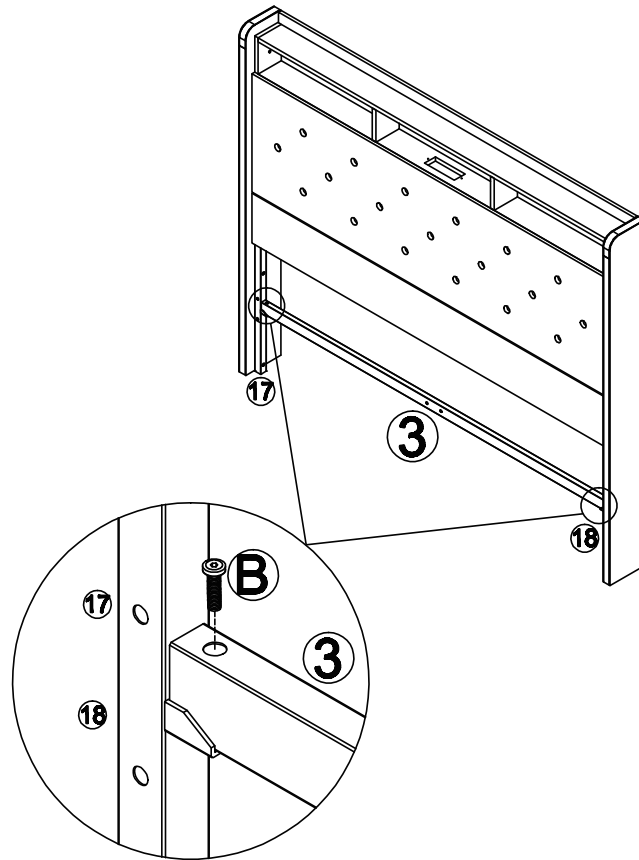
E		M8x45	8PCS
B		M6x35	6 pcs
G			1pc



Step 8



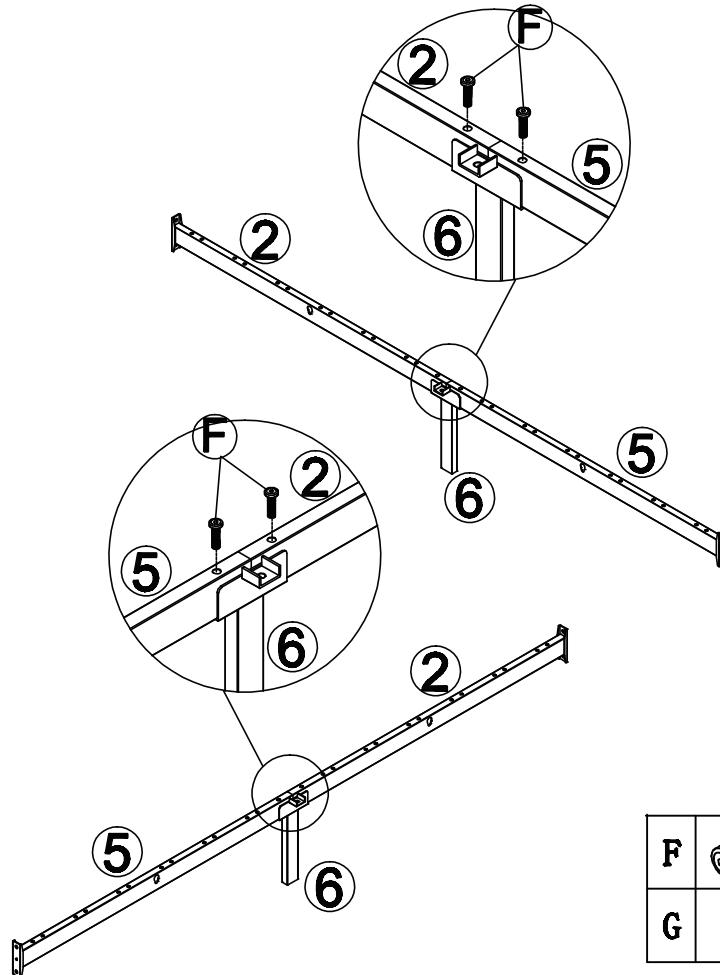
A		M6x12	6pcs
H			3pcs
G			1pc



Step 9



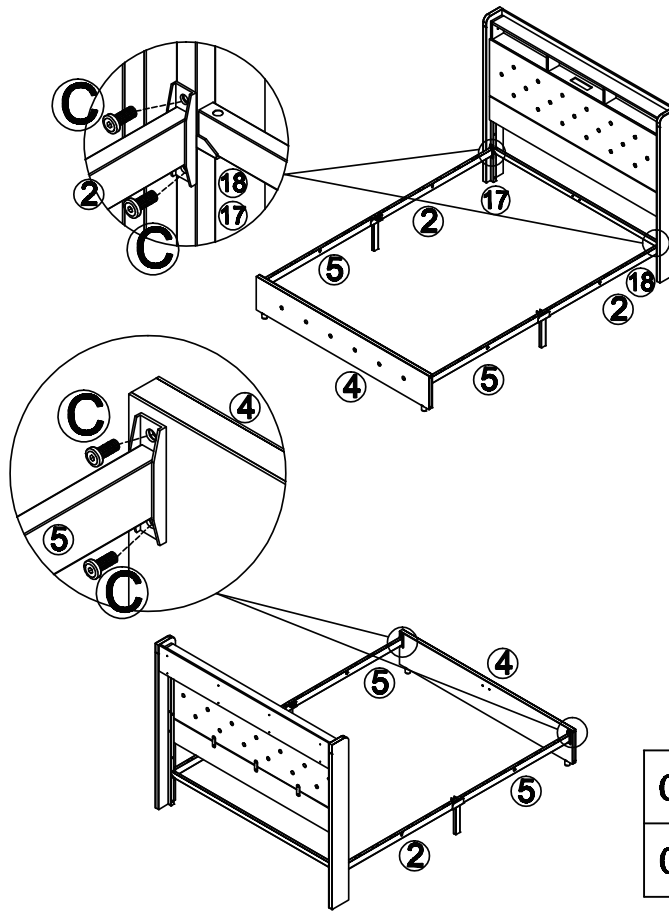
B		M6x35	2pcs
G			1pc



Step 10



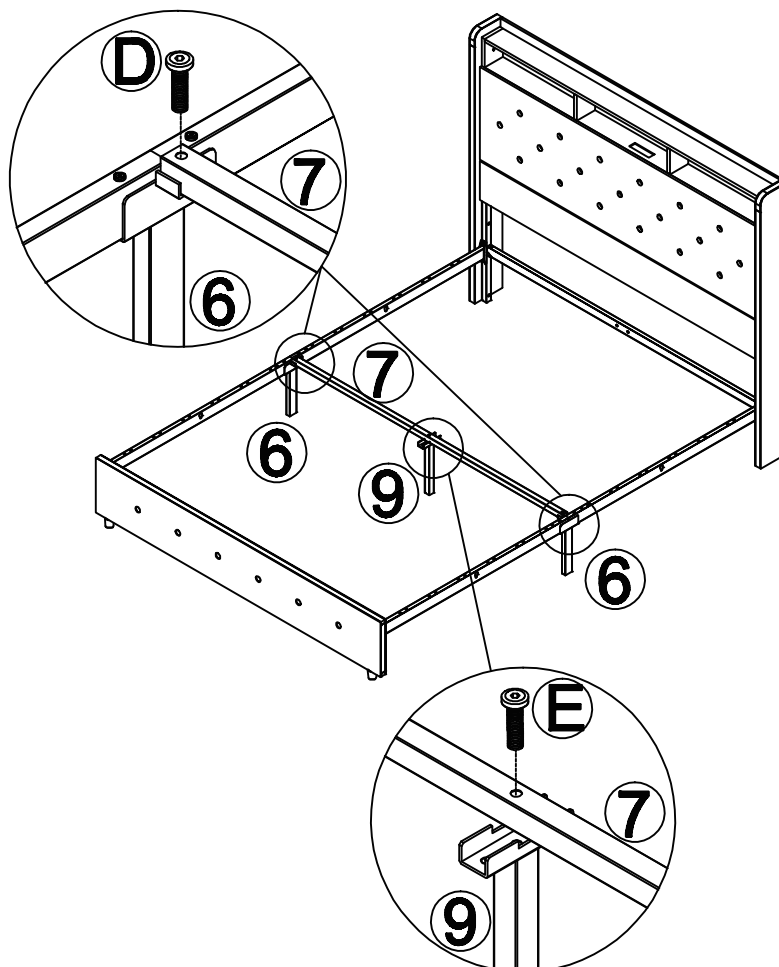
F		M8x60	4pcs
G			1pc




Step 11



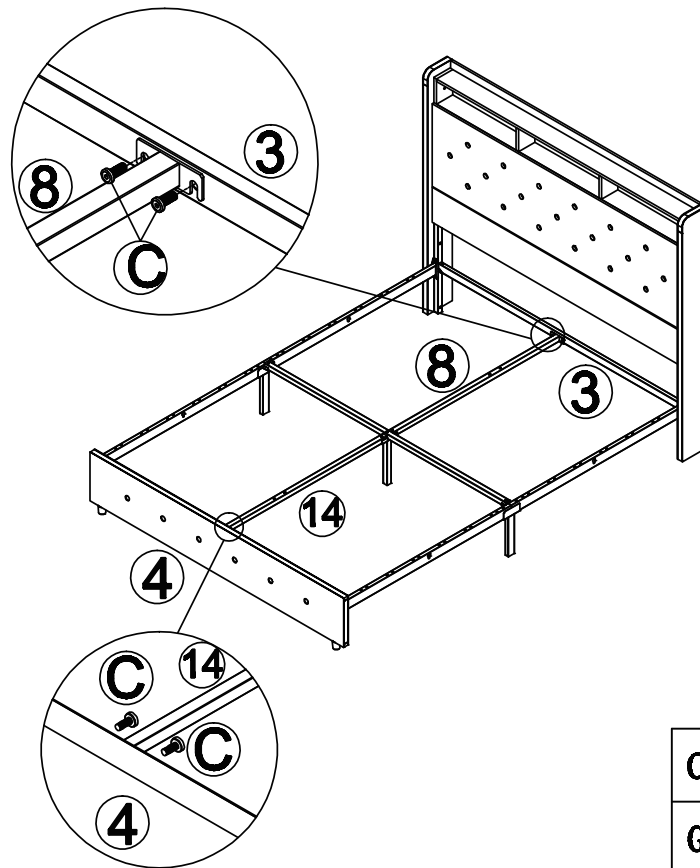
C	 M8x20	8pcs
G		1pc



Step 12



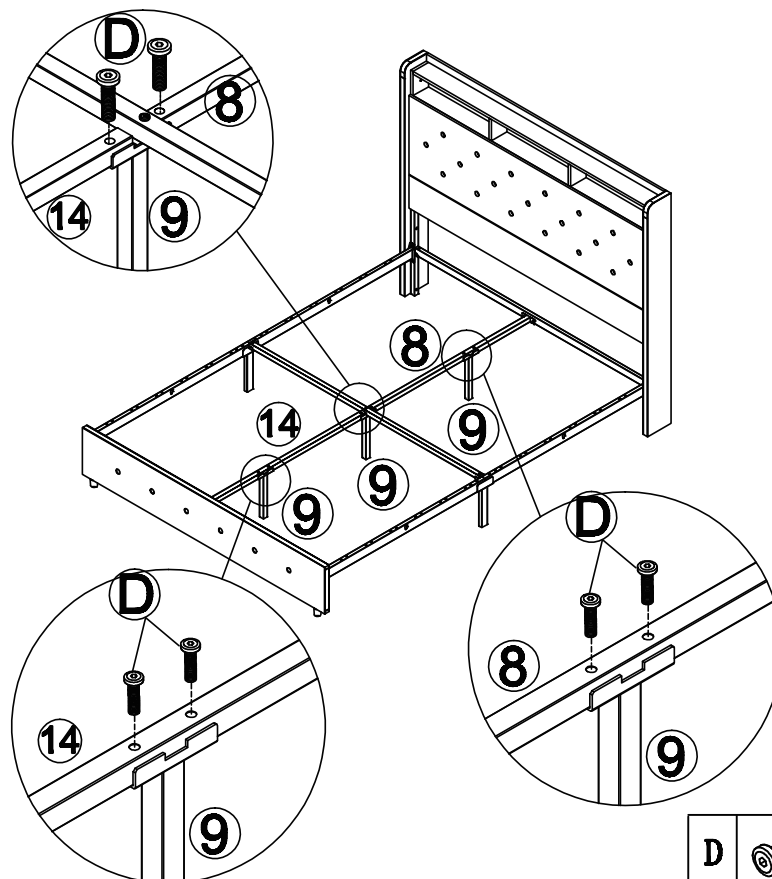
D	 M8x35	2pcs
E	 M8x45	1pcs
G		1pc



Step 13



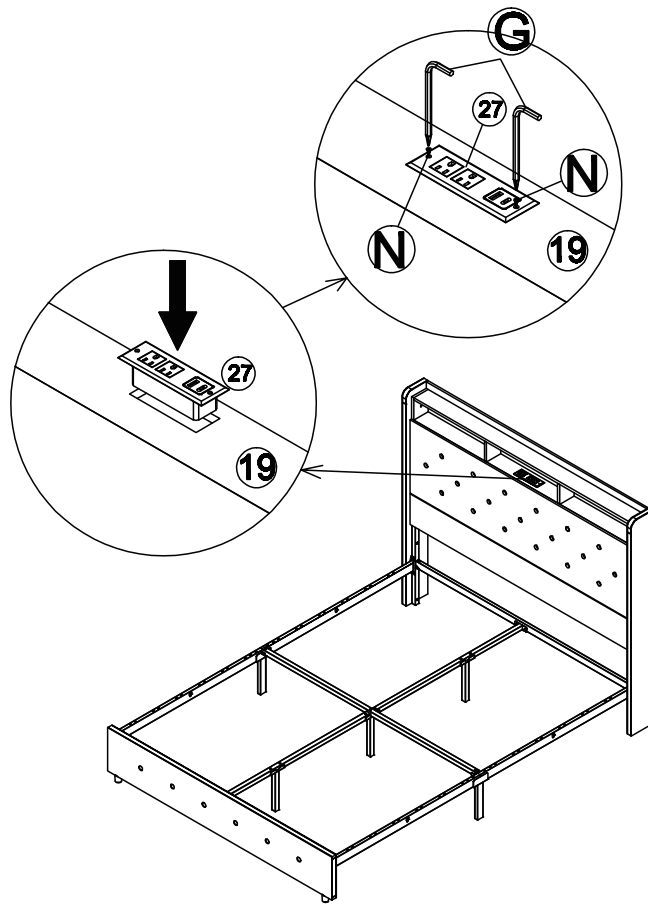
C	 M8x20	4pcs
G		1pc




Step 14



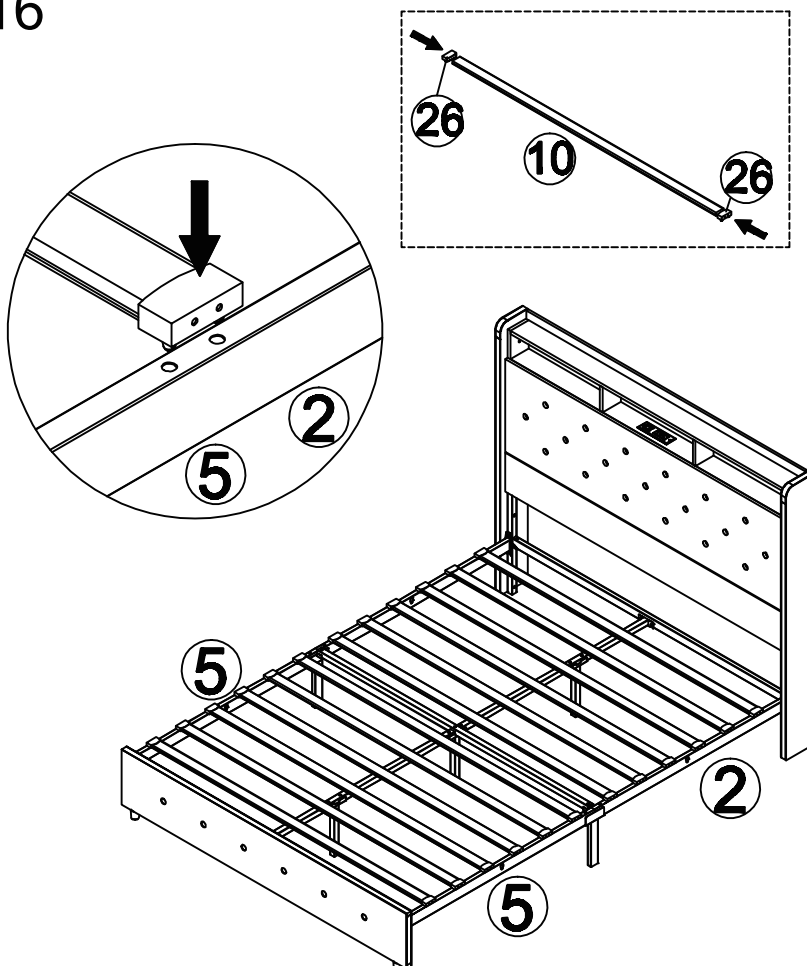
D	 M8x35	6pcs
G		1pc

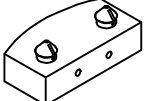
Step 15



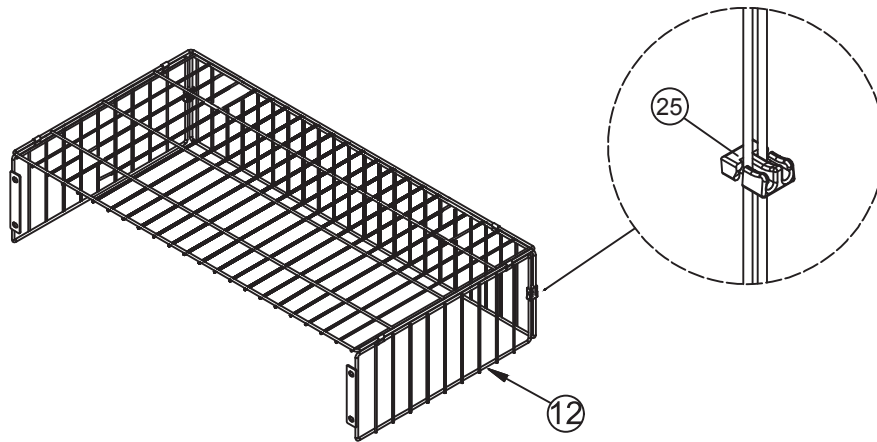
N	 $\varnothing 3 \times 12$	2pcs
27		1pc
G		1pc


Step 16



26		24pcs
----	---	-------

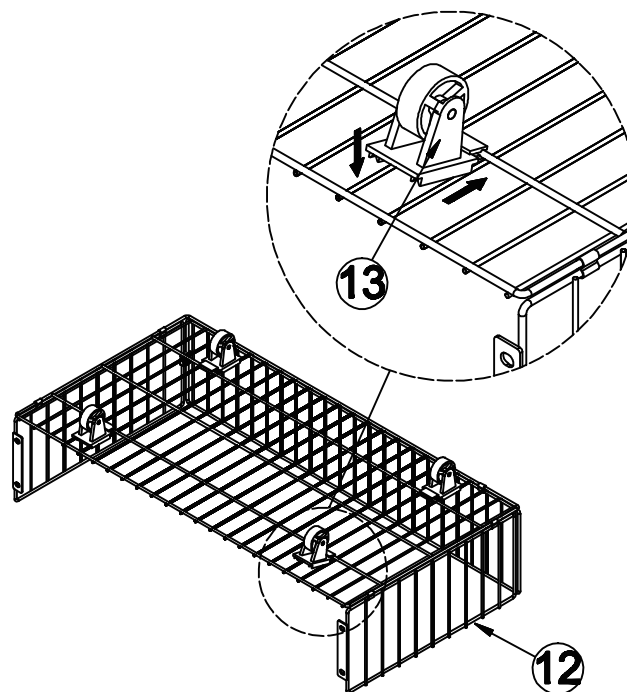
Step 17




25		8pcs
----	---	------

x 4

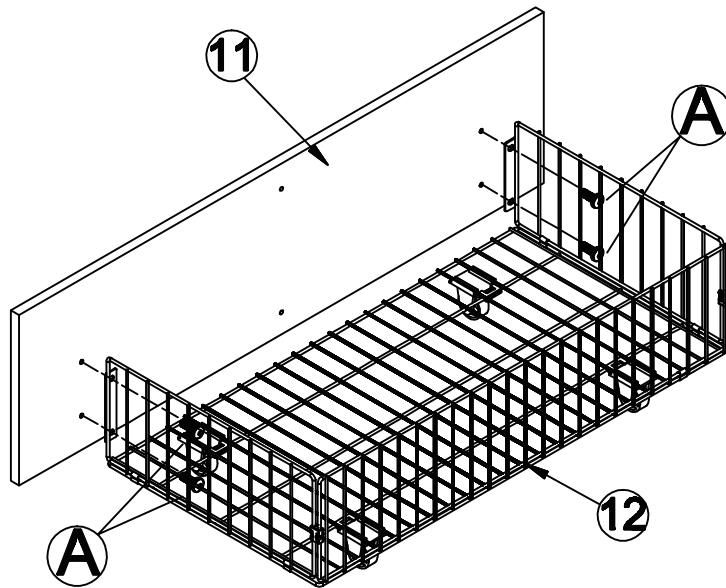
Step 18





13		16pcs
----	---	-------

x 4

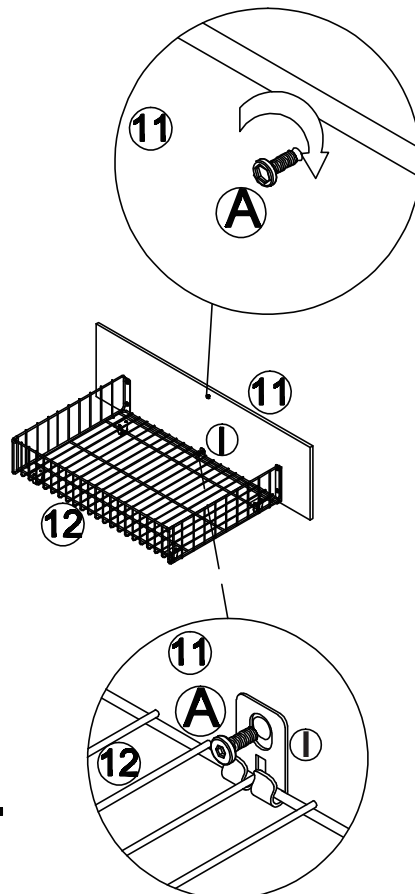
Step 19






x 4

A		M6x12	16pcs
G			1pc

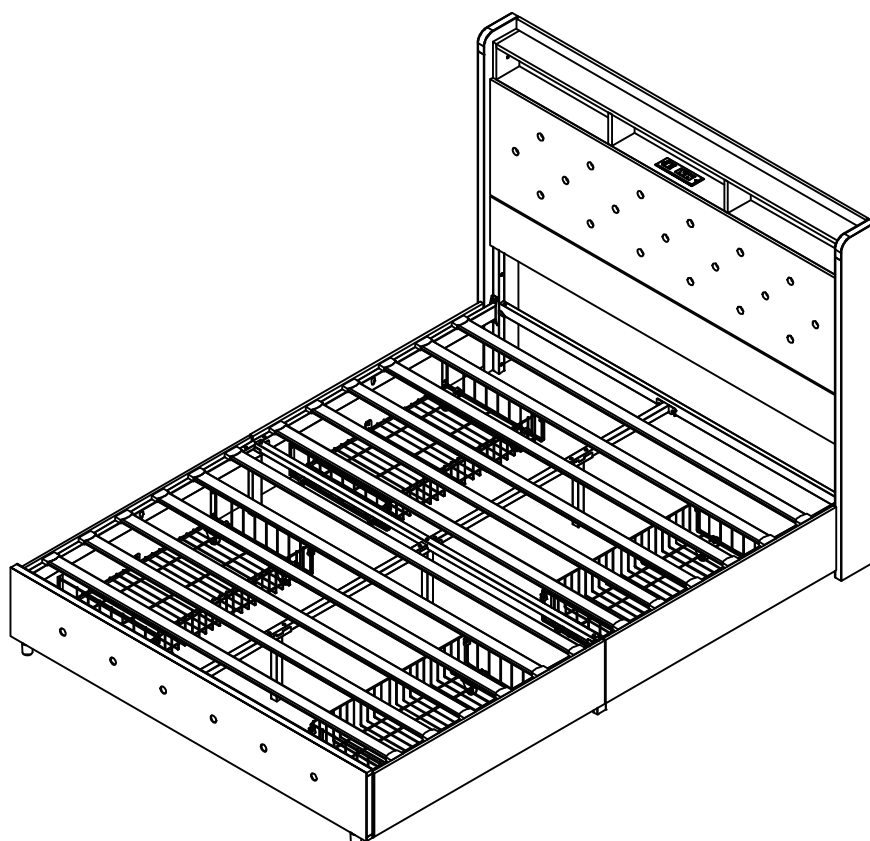
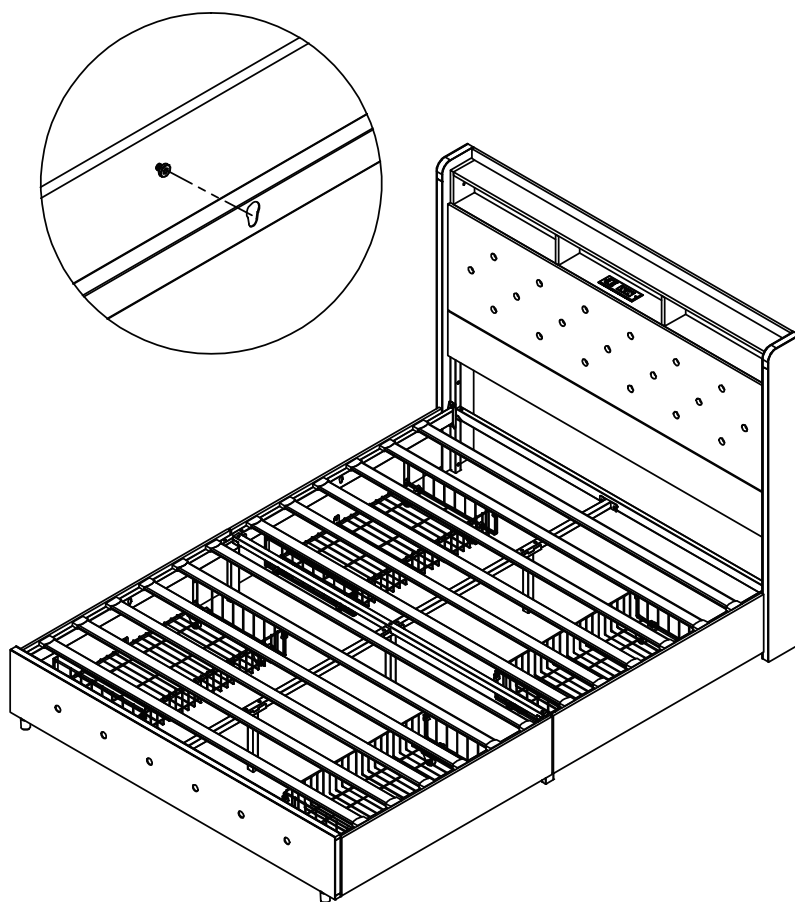
Step 20



x 4

A		M6x12	8pcs
I			4pcs
G			1pc

Step 21



IMPORTANT SAFETY INFORMATION

Please carefully read the instructions and caution warnings below before assembling the product. Following this guide will ensure that you install, use and maintain the product properly.

- Please keep this installation and user manual/instructions for future reference in case you need to assemble the product.
- Do not assemble if you notice serious damage such as cracks or bends.
- During installation, please use work gloves for hand safety.
- Please assemble the unit on carpeted floor or the flat cardboard box to avoid scratching the surface or your floor while assembling on the floor.
- To assemble, please use the complimentary installation tools (Allen Wrench). Pay more attention to the direction of components at each steps.
- It is recommended that two people work together to assemble the product.
- Please do not tighten the screws up too much, just to 80% before you finish to make the installation go on successfully.

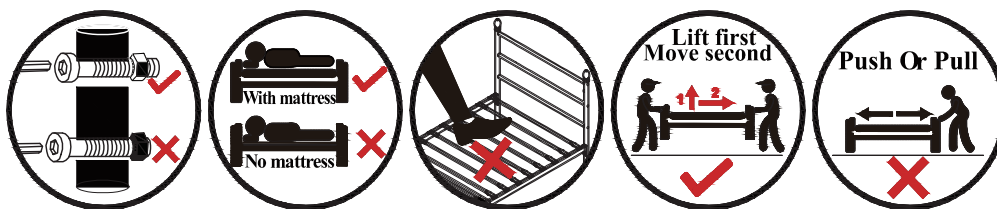
RETURN POLICY

We believe you will absolutely love your new product. But for some reason you want to return your item, please contact us within 30 days after receiving and ensure that the product which you want to return is in a good condition in the original box with all original certificates of purchase, manuals and accessories attached.

HOW TO MAINTAIN YOUR PRODUCT:

- Check the screws of the product are not loose from regular use.
- Do not use sharp instruments, rubbing alcohol, corrosive chemicals, or abrasive cleaners to clean the product.
- Do not keep the product in a damp environment for a long period of time. The damp environment may cause the iron components to rust and the plates to bulge and crack.

CAUTIONS!



How to find us?
Customer Service