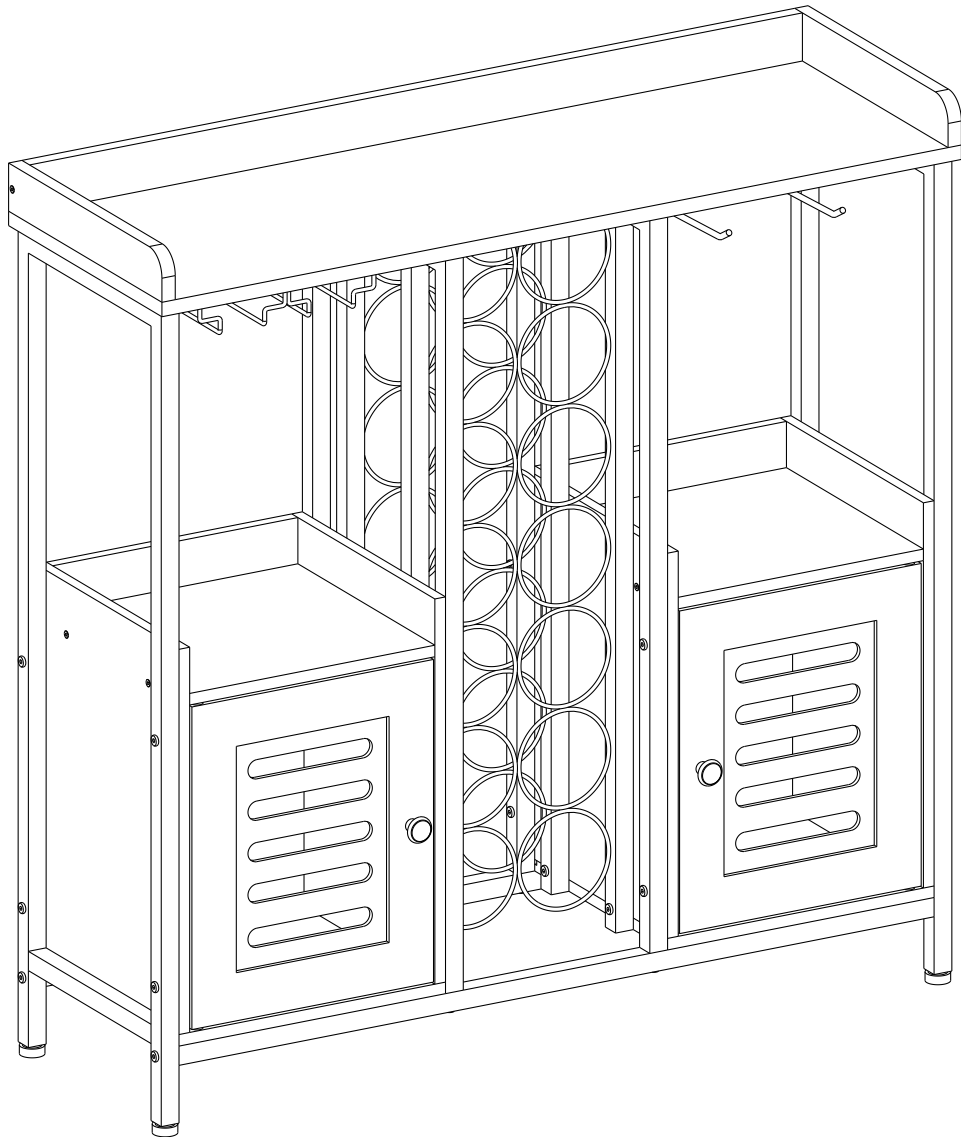




# INSTRUCTION MANUAL

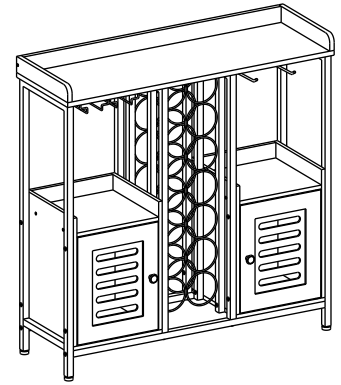


Suggestion: To make the installation process easier and faster, we recommend that TWO people work together to install the product.

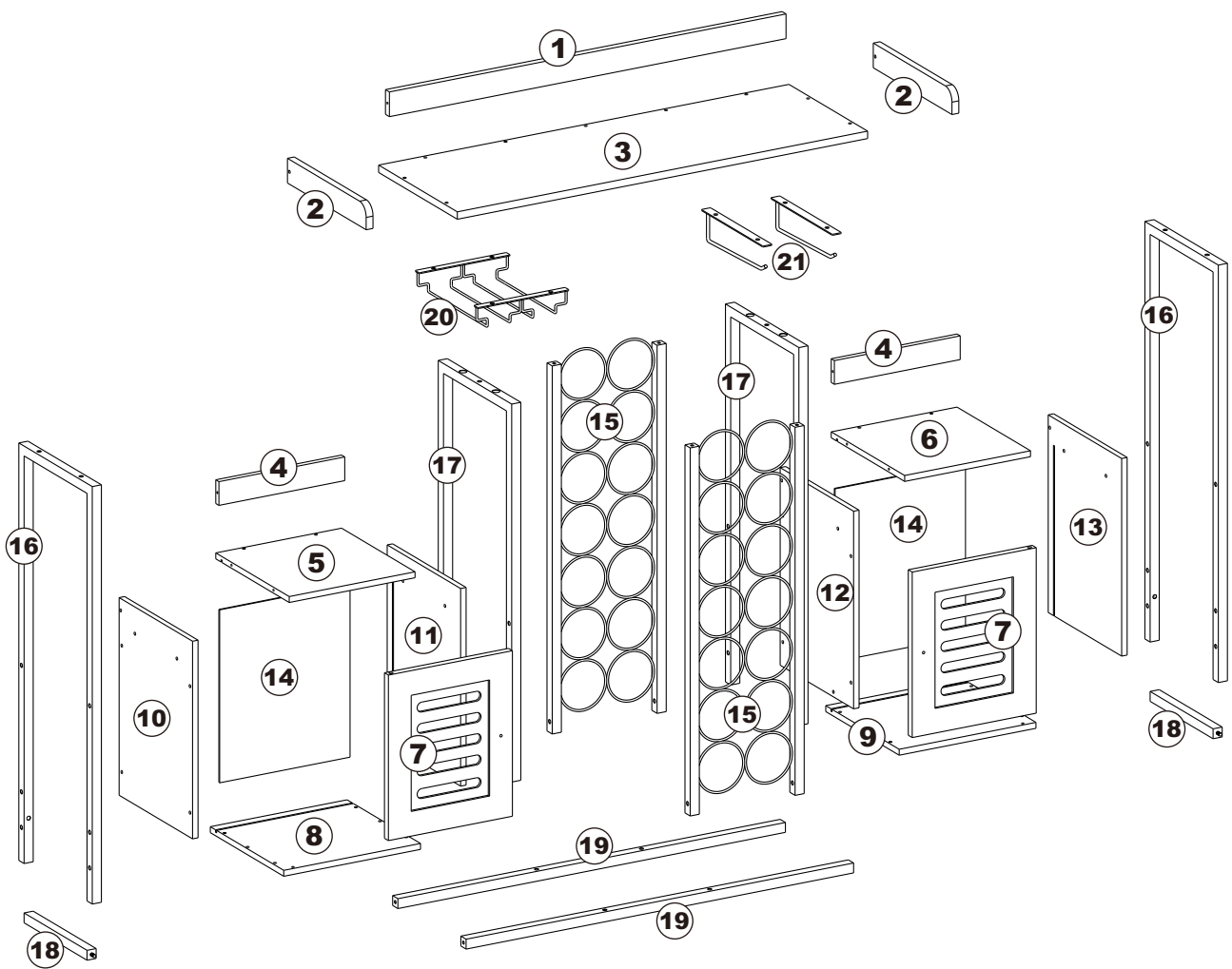
■ Please don't tighten the screws completely and go back later for a final tightening of all the screws after pieces are aligned with each other.

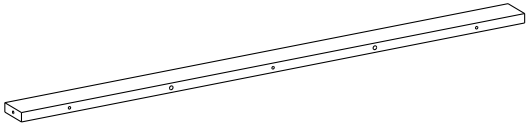


# EXPLODED

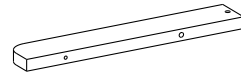


COMPLETE

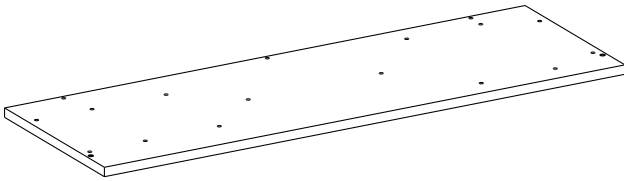




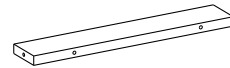
① × 1PC



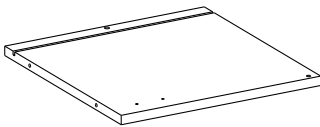
② × 2PCS



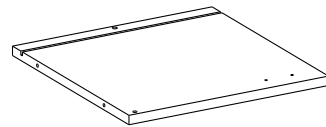
③ × 1PC



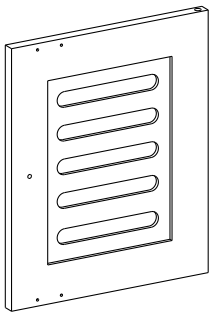
④ × 2PCS



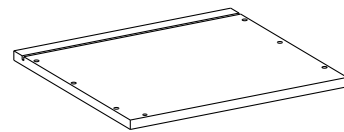
⑤ × 1PC



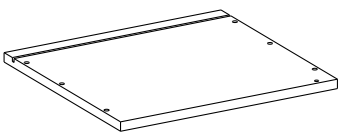
⑥ × 1PC



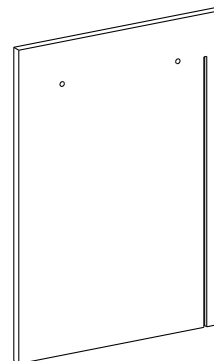
⑦ × 2PCS



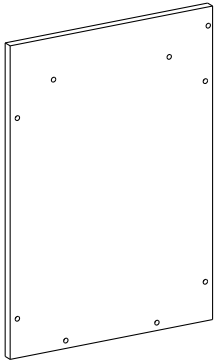
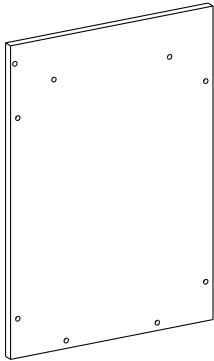
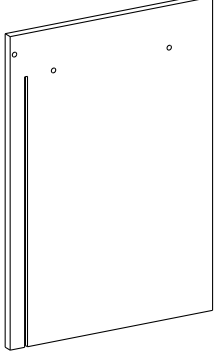

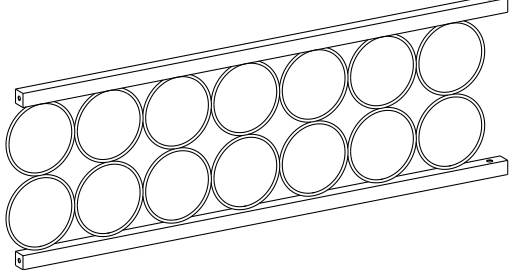
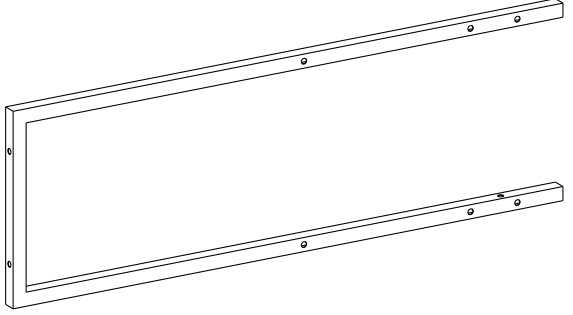
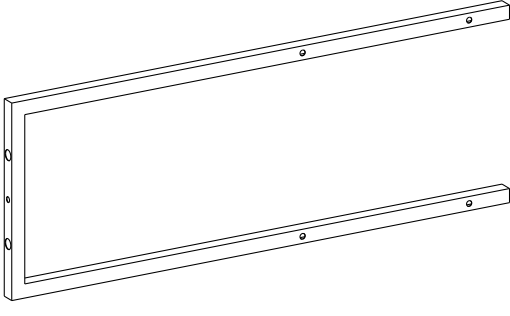
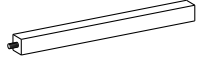
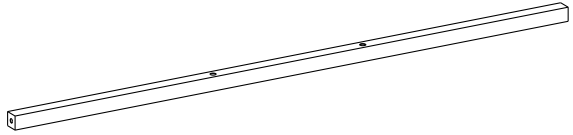
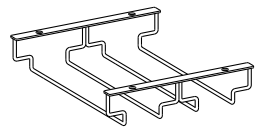
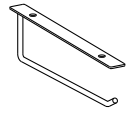
⑧ × 1PC

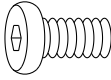
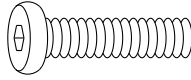


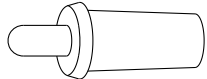

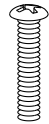
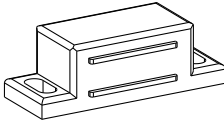

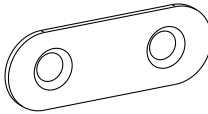

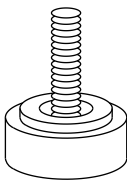

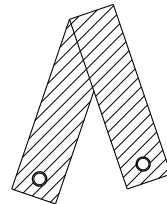





⑨ × 1PC



⑩ × 1PC

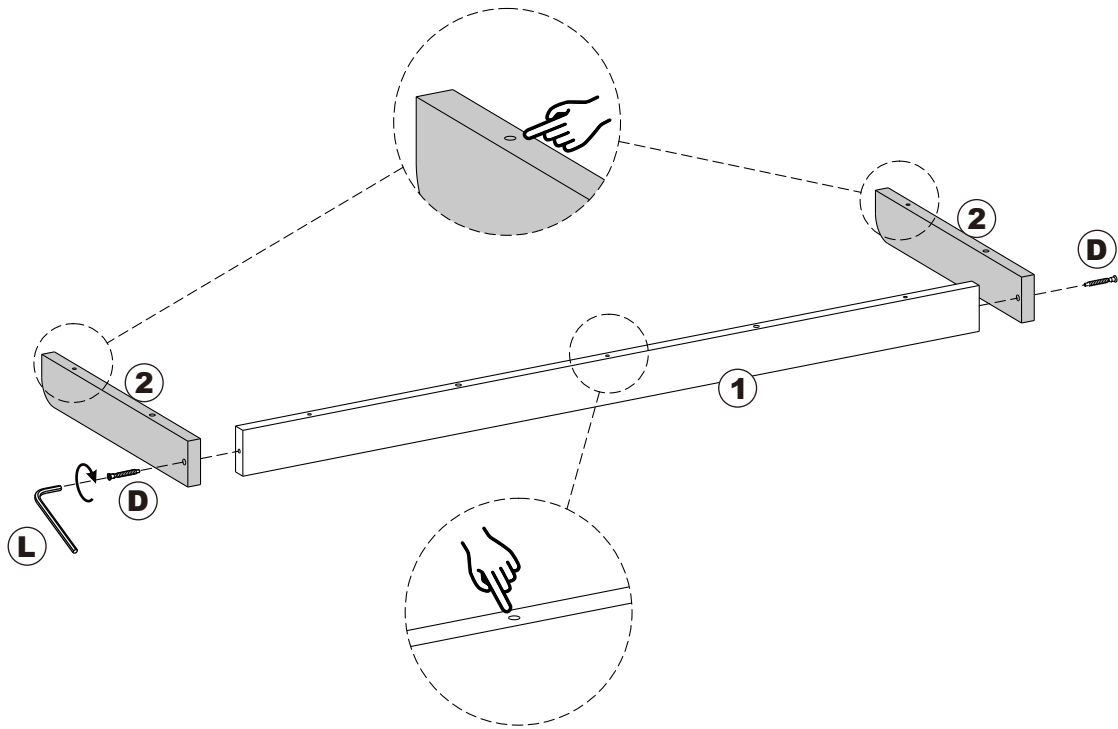
 <p><b>11</b> × 1PC</p>	 <p><b>12</b> × 1PC</p>	
 <p><b>13</b> × 1PC</p>	 <p><b>14</b> × 2PCS</p>	
 <p><b>15</b> × 2PCS</p>	<p>GLASS</p>  <p><b>16</b> × 2PCS</p>	
 <p><b>17</b> × 2PCS</p>	 <p><b>18</b> × 2PCS</p>	
 <p><b>19</b> × 2PCS</p>	 <p><b>20</b> × 1PC</p>	 <p><b>21</b> × 2PCS</p>

 <p><b>A</b> × 8+1PCS      1/4"×10mm</p>		 <p><b>B</b> × 40+2PCS      1/4"×28mm</p>	
 <p><b>C</b> × 12+1PCS      Ø6×30mm</p>		 <p><b>D</b> × 27+2PCS      Ø5×40mm</p>	
 <p><b>E</b> × 4PCS      Ø12×25mm</p>		 <p><b>F1</b> × 2PCS</p>	 <p><b>F2</b> × 2PCS</p>
 <p><b>G1</b> × 2PCS</p>	 <p><b>G2</b> × 4PCS</p>	 <p><b>H1</b> × 2PCS</p>	 <p><b>H2</b> × 4PCS</p>
 <p><b>I</b> × 4PCS      Ø25×1/4"×20mm</p>	 <p><b>J1</b> × 2PC</p>	 <p><b>J2</b> × 2PC</p>	 <p><b>J3</b> × 2PC</p>
 <p><b>K</b> × 1PC      M4</p>	 <p><b>L</b> × 1PC      M3</p>		

# 1

① × 1PC    ② × 2PCS



ⓓ × 2PCS 

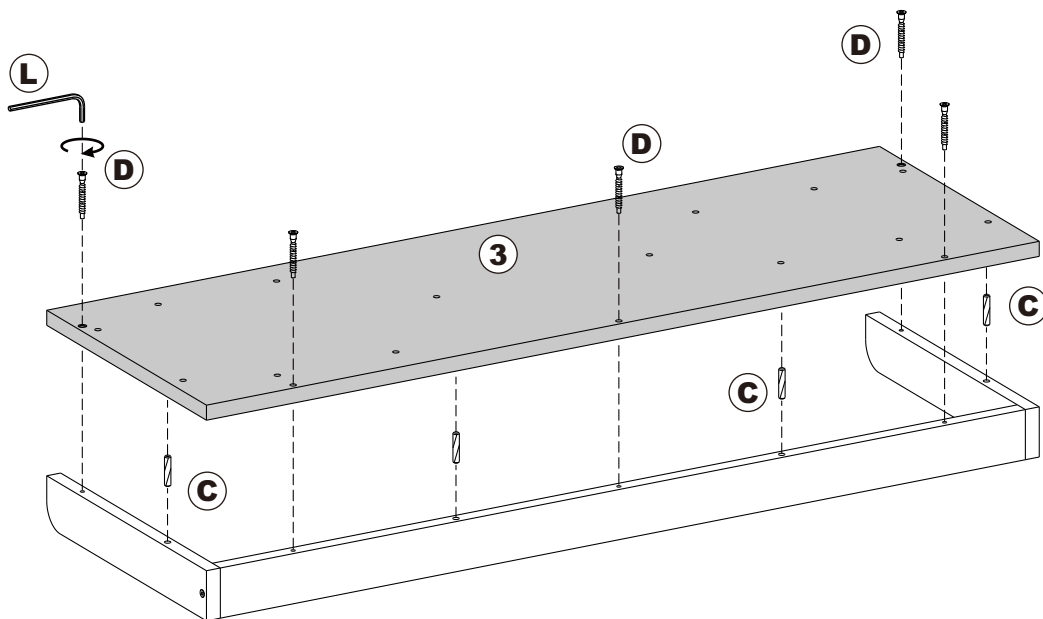


Note: The hole position is consistent upwards

# 2

③ × 1PC

ⓐ × 4PCS   
ⓓ × 5PCS 

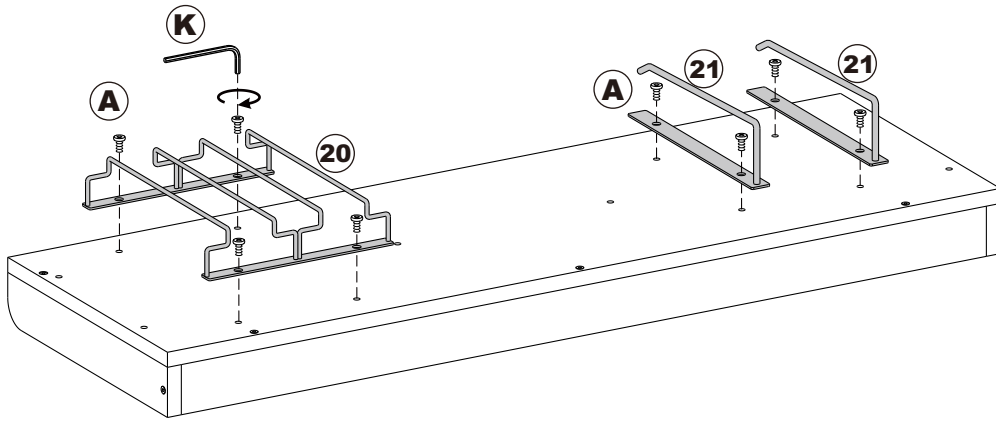


# 3

20 × 1PC

21 × 2PCS

A × 8PCS



# 4

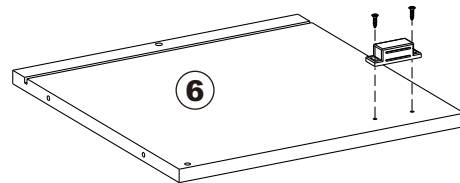
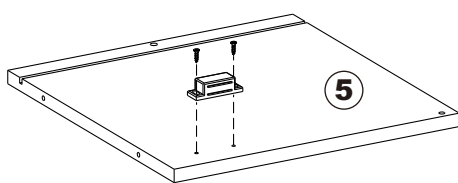
5 × 1PC

6 × 1PC

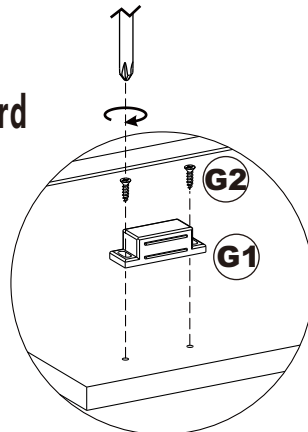
G1 × 2PCS



G2 × 4PCS



**Note: The iron sheet is facing outward**



# 5

5 × 1PC

6 × 1PC

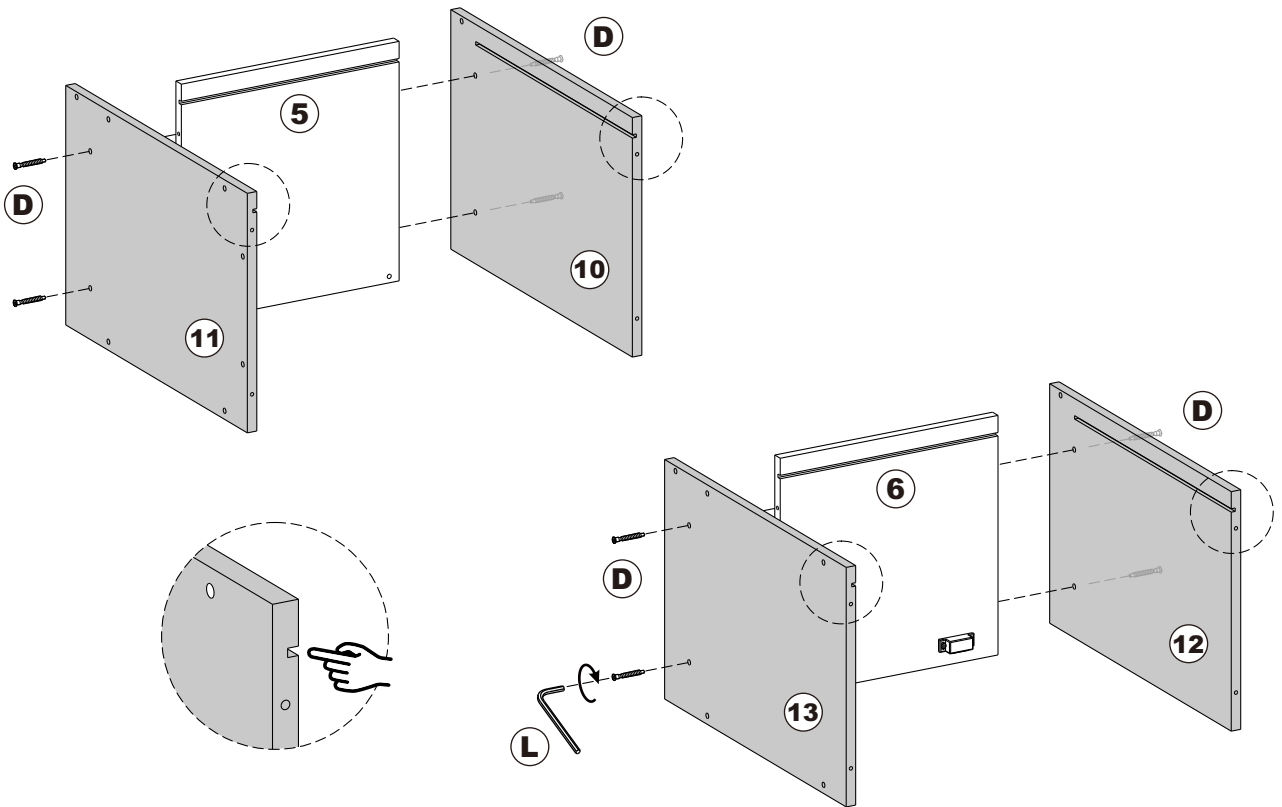
10 × 1PC

11 × 1PC

12 × 1PC

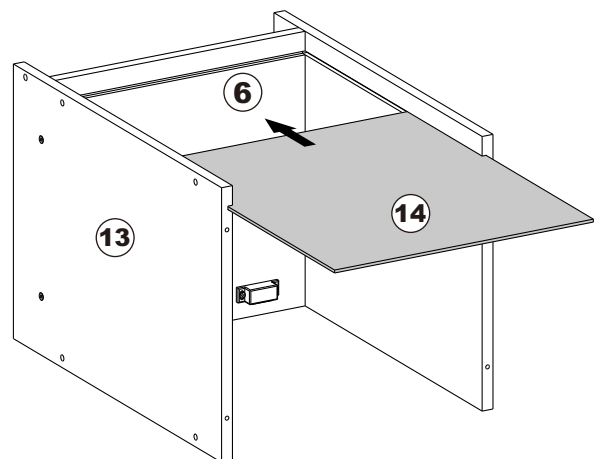
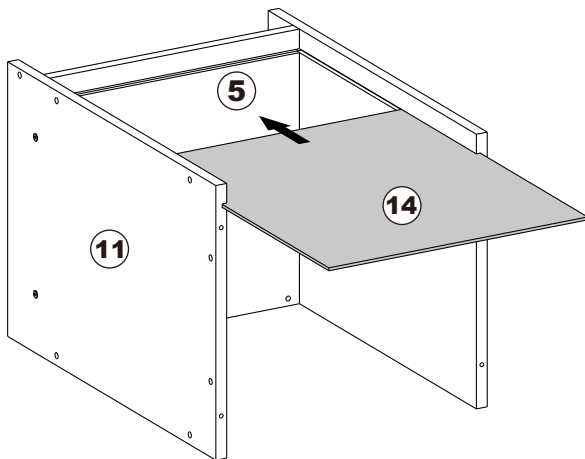
13 × 1PC

D × 8PCS 



# 6

14 × 2PCS



# 7

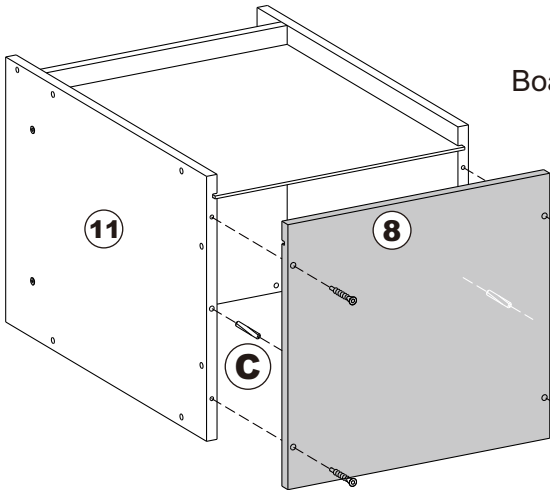
8 × 1PC

9 × 1PC

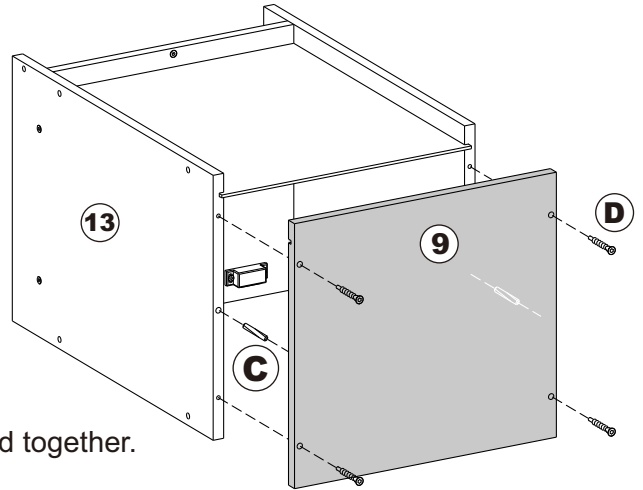
C × 4PCS



D × 8PCS



Board 8 and 11 are assembled together.

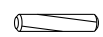


Board 9 and 13 are assembled together.

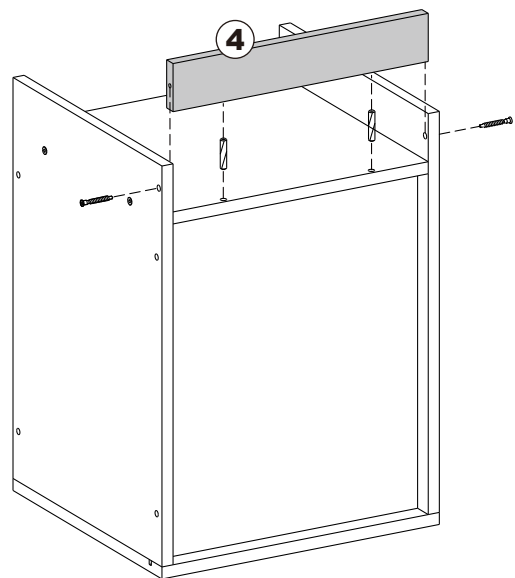
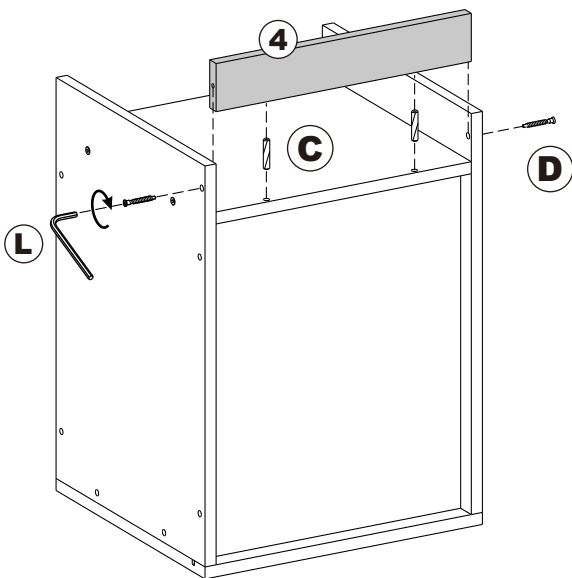
# 8

4 × 2PCS

C × 4PCS

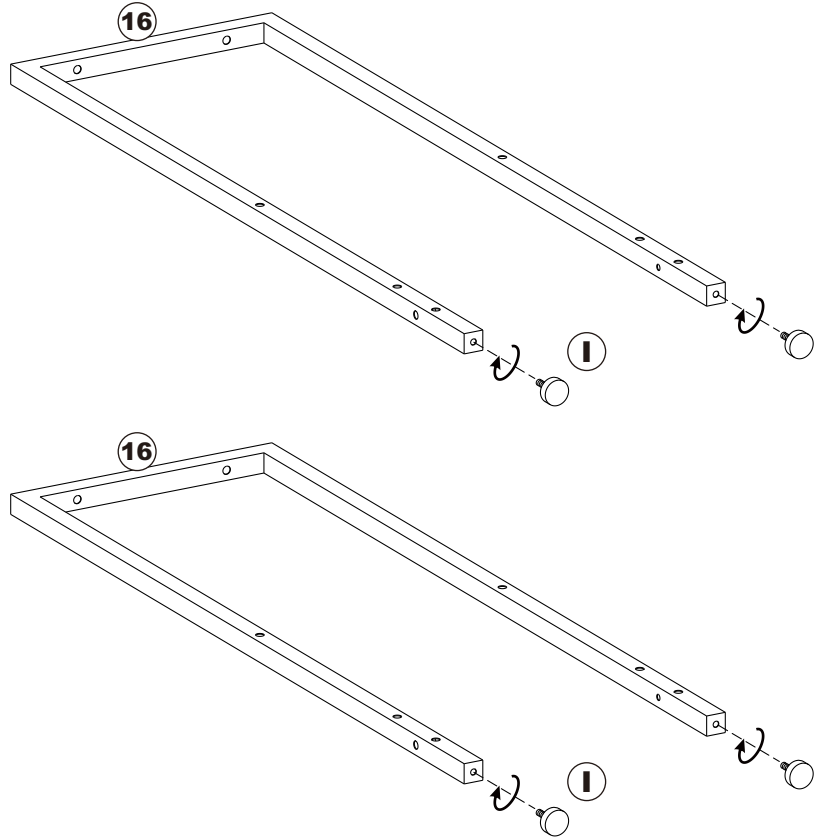


D × 4PCS



10 16 × 2PCS

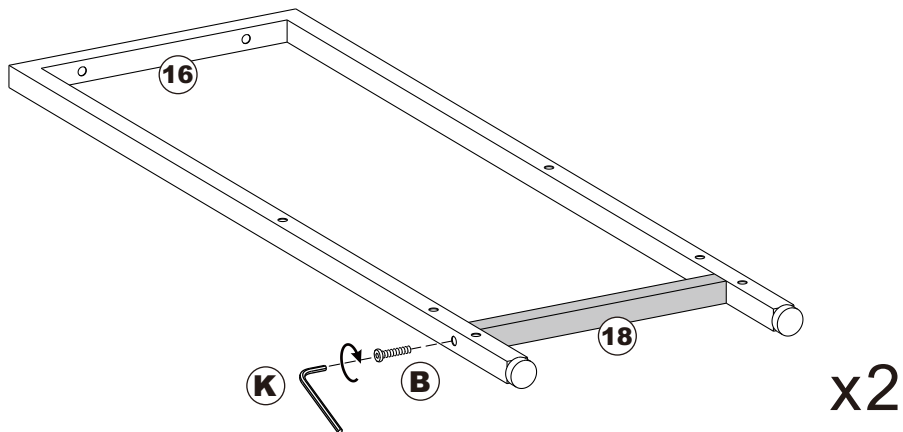
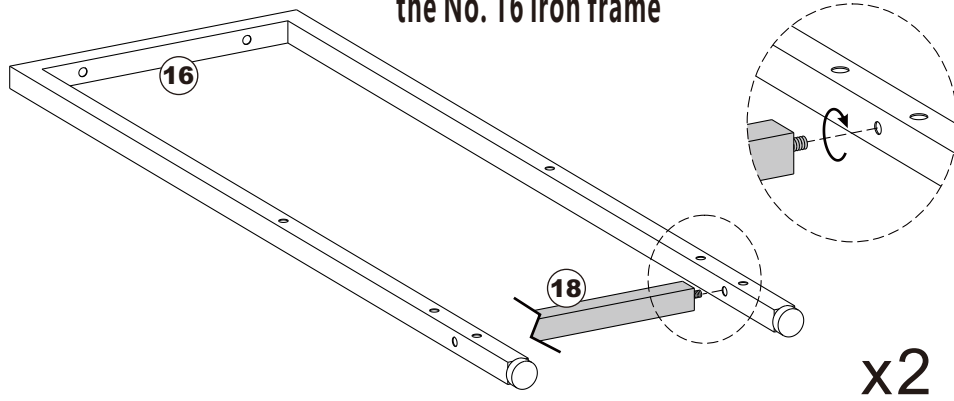
I × 4PCS 



11 18 × 2PCS

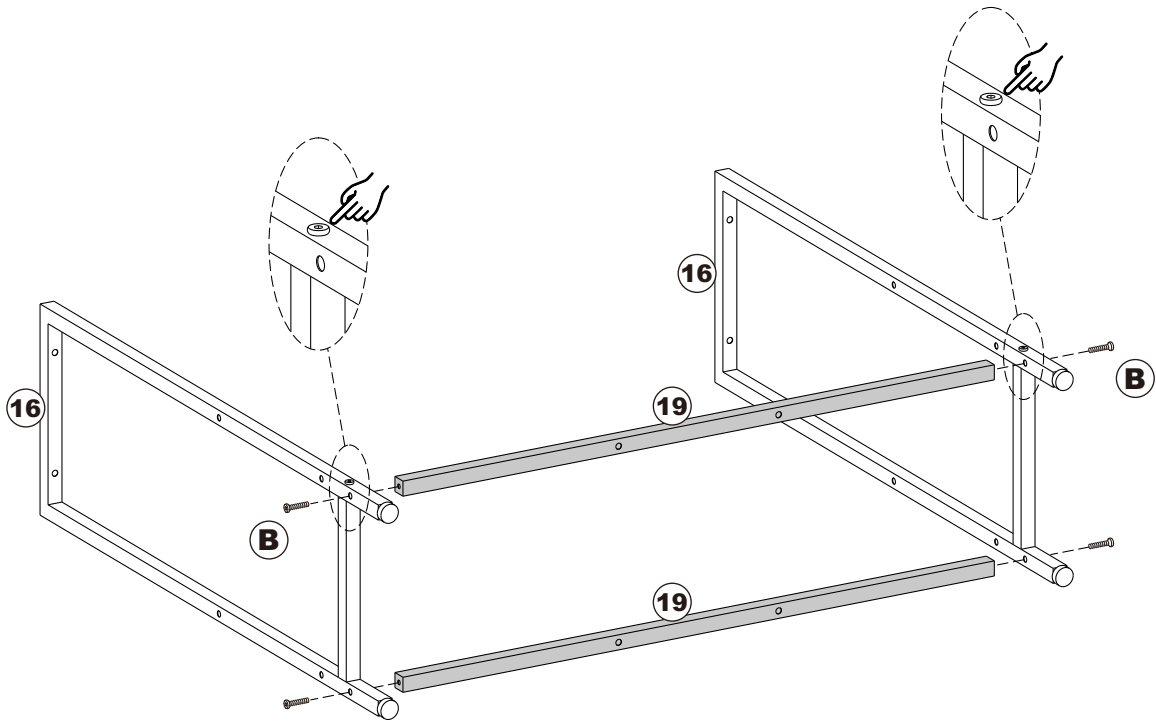
Screw the No. 18 rotation into the No. 16 iron frame

B × 2PCS 



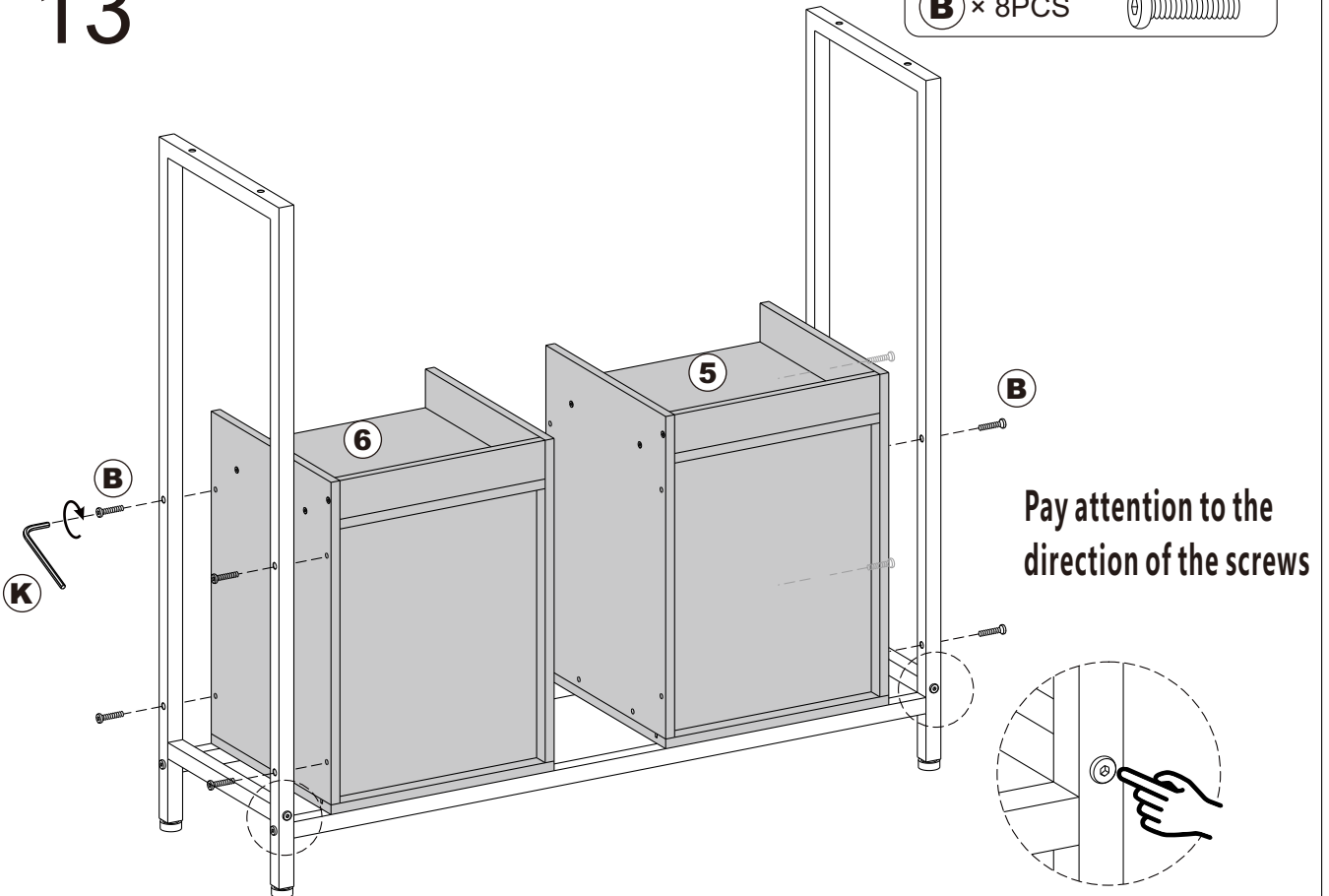
12 19 × 2PCS

B × 4PCS 



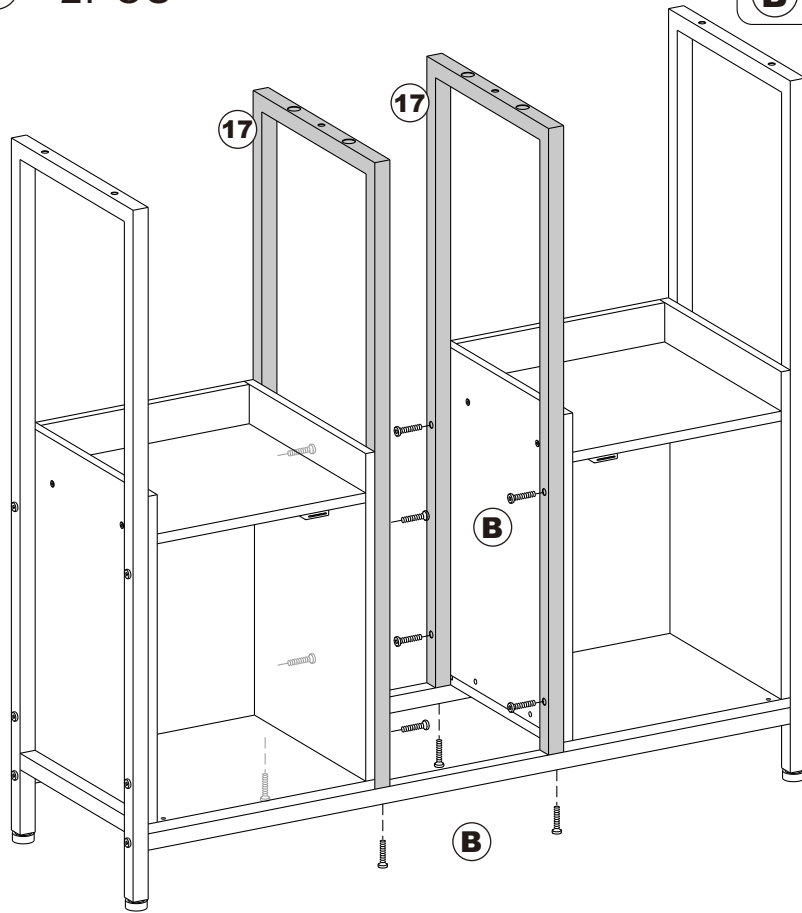
13

B × 8PCS 



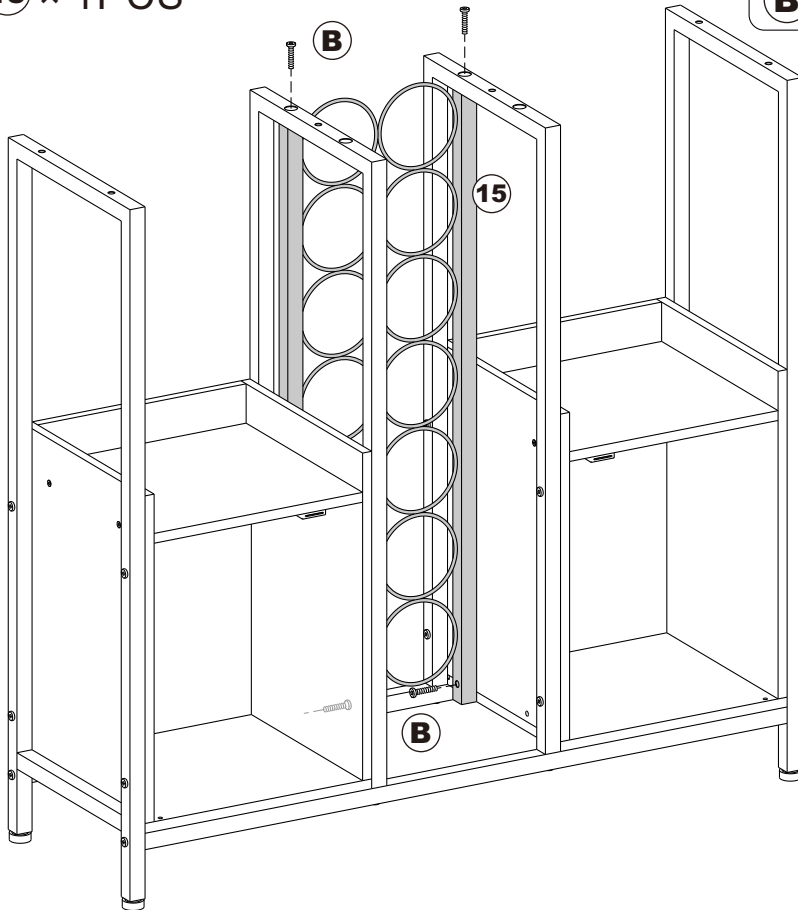
14 17 × 2PCS

B × 12PCS 



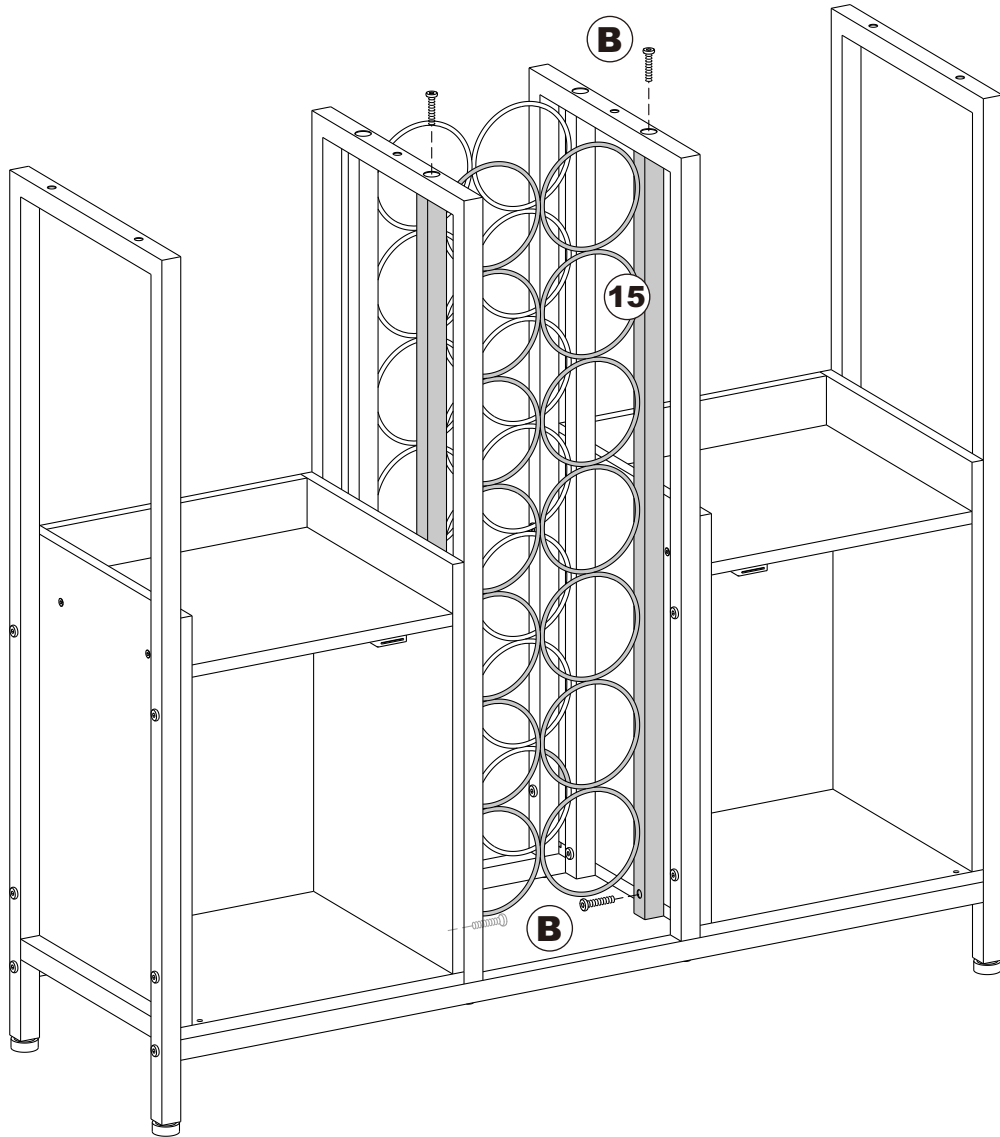
15 15 × 1PCS

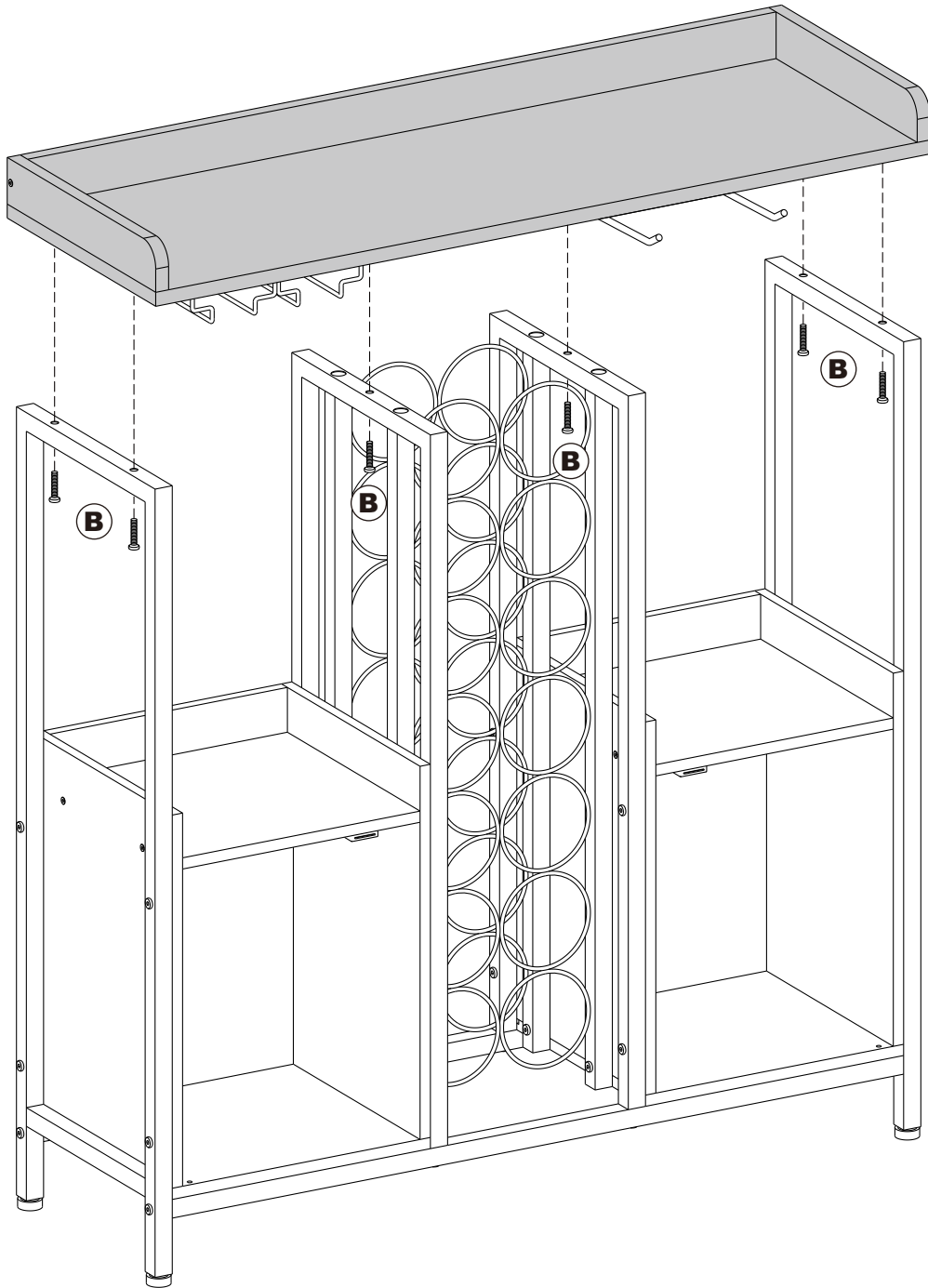
B × 4PCS 



16 15 × 1PCS



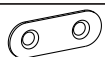
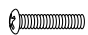

B × 4PCS 

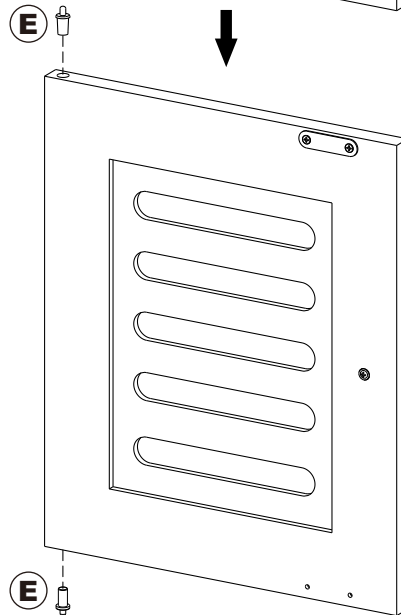
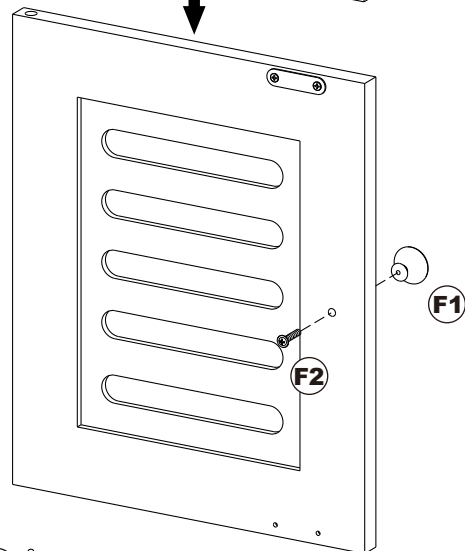
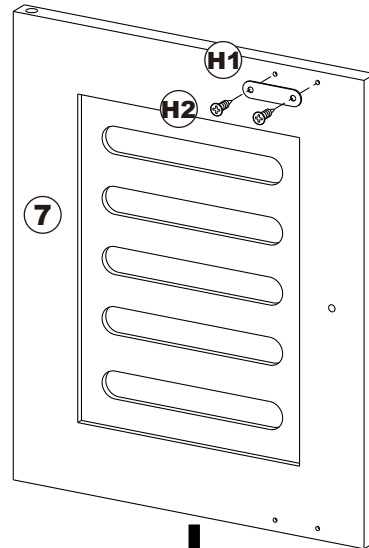
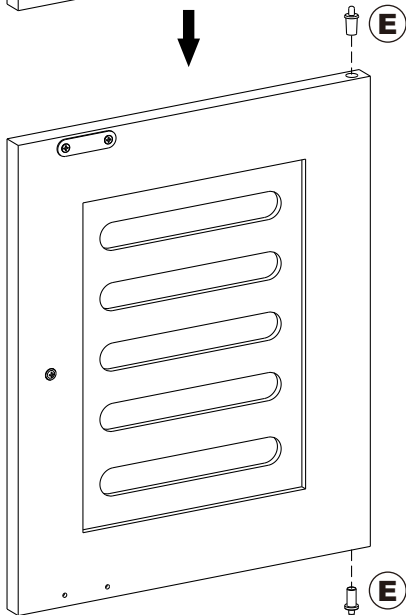
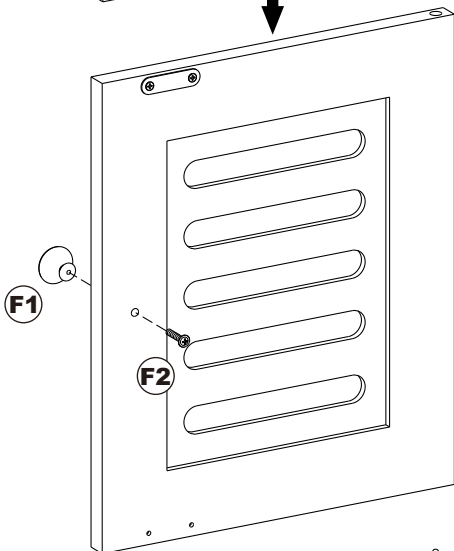
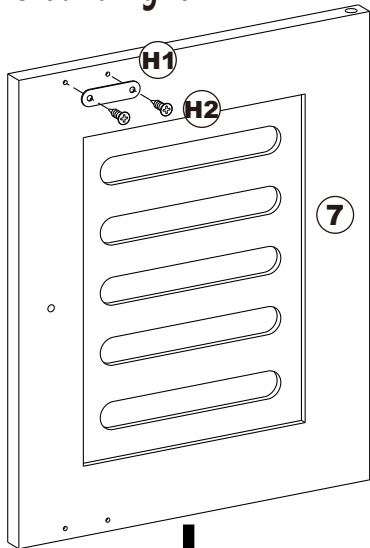




# 18 (7) × 2PCS



Assemble it according to the diagram and divide it into left and right

(F1) × 2PCS		(E) × 4PCS	
(H1) × 2PCS		(F2) × 2PCS	
		(H2) × 4PCS	





20

- J1** × 2PCS 
- J2** × 2PCS 
- J3** × 2PCS 