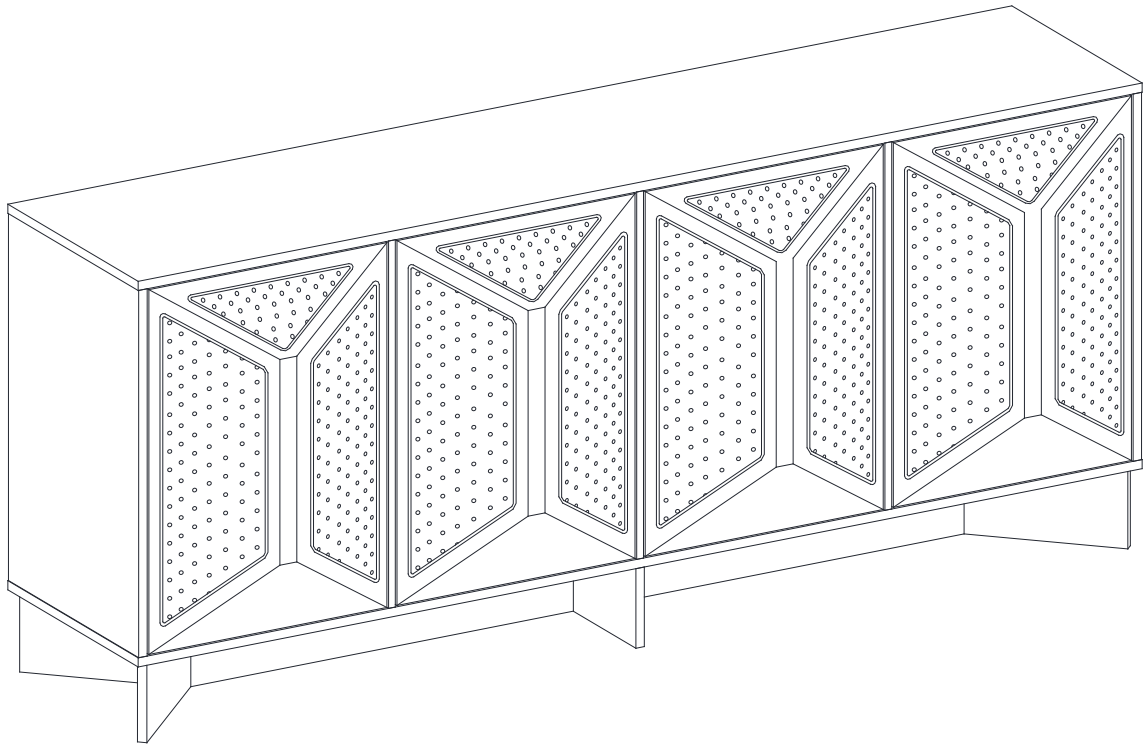
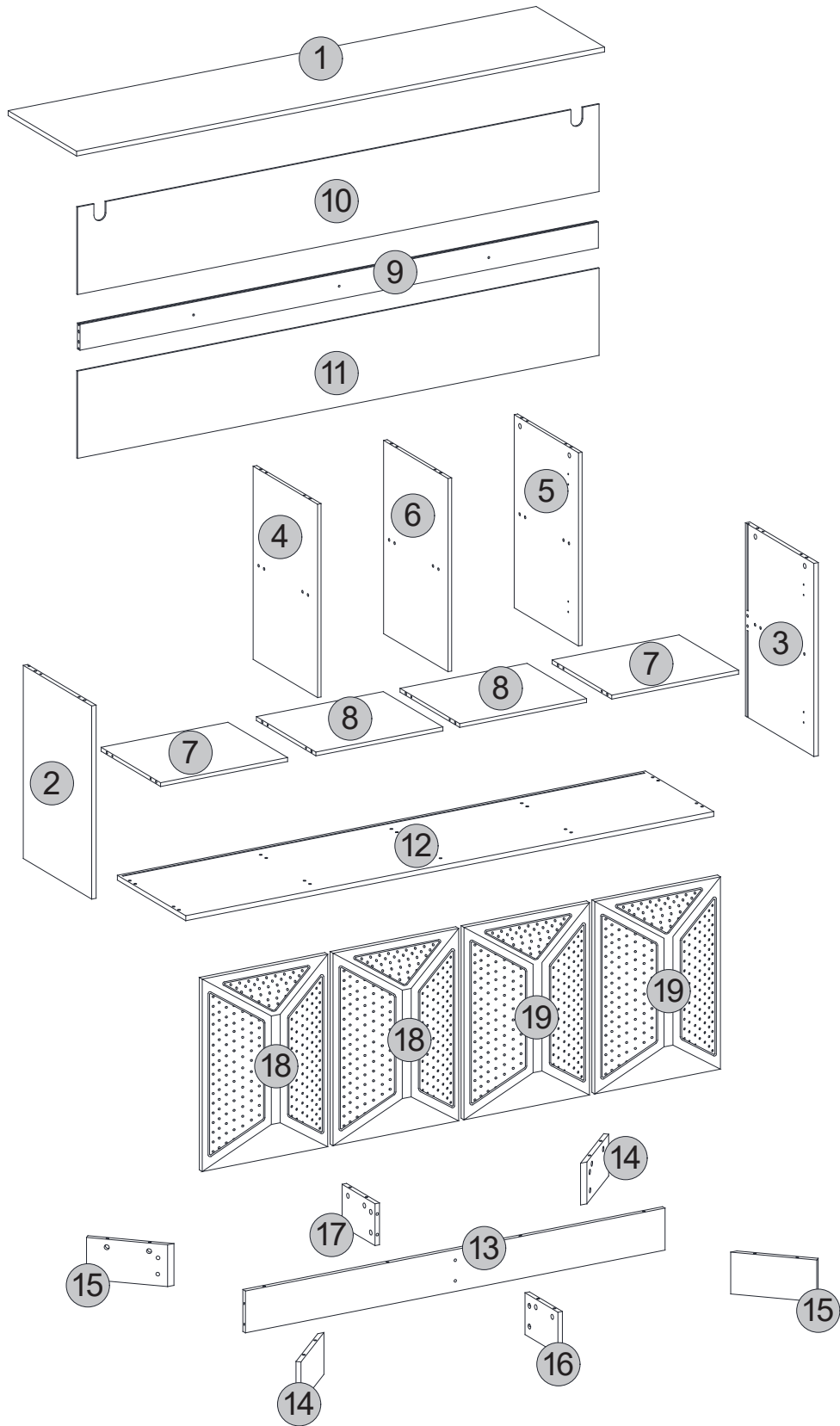


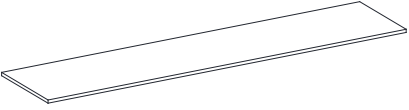





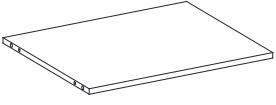
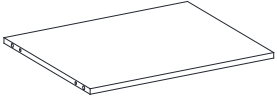

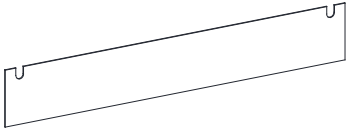
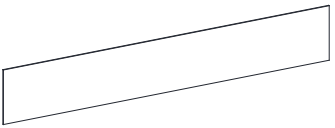
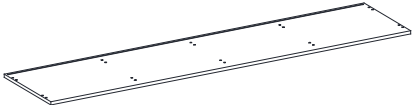
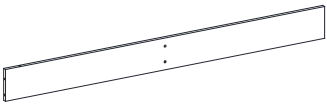
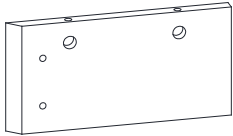
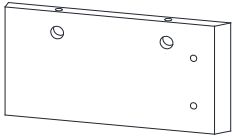
# Sideboard Cabinet Instruction Manual



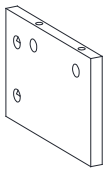
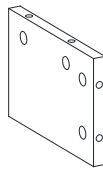
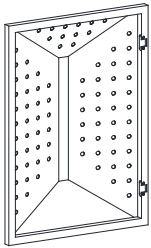
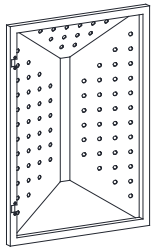
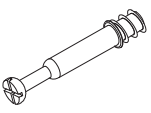

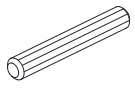

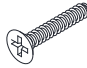
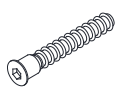


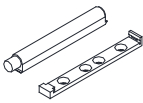
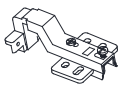

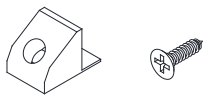
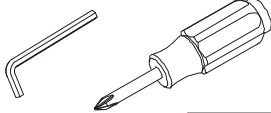


# Parts List(EN)



# Parts List(EN)

<p>① 1 PC</p> 	<p>② 1 PC</p> 	<p>③ 1 PC</p> 
<p>④ 1 PC</p> 	<p>⑤ 1 PC</p> 	<p>⑥ 1 PC</p> 
<p>⑦ 2 PCS</p> 	<p>⑧ 2 PCS</p> 	<p>⑨ 1 PC</p> 
<p>⑩ 1 PC</p> 	<p>⑪ 1 PC</p> 	<p>⑫ 1 PC</p> 
<p>⑬ 1 PC</p> 	<p>⑭ 2 PCS</p> 	<p>⑮ 2 PCS</p> 

# Parts List(EN)

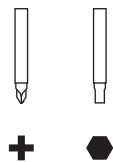
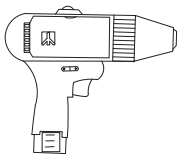
<p>16</p> <p>1 PC</p> 	<p>17</p> <p>1 PC</p> 	<p>18</p> <p>2 PCS</p> 
<p>19</p> <p>2 PCS</p> 		
<p>A</p>  <p>50+2 PCS</p>	<p>B</p>  <p>50+2 PCS</p>	<p>C</p>  <p>36+2 PCS</p>
<p>D</p>  <p>40+2 PCS</p>	<p>E</p>  <p>3 PCS</p>	<p>F</p>  <p>14+1 PCS</p>
<p>G</p>  <p>8 PCS</p>	<p>H</p>  <p>2 PCS</p>	<p>I</p>  <p>4 PCS</p>
<p>J</p>  <p>8 PCS</p>	<p>K</p>  <p>16+1 PCS</p>	<p>L</p>  <p>12+1 PCS</p>
<p>M</p>  <p>1 PC</p>	<p>N</p>  <p>N1 N2 N3 N4 N5</p> <p>2 PCS</p>	<p>O</p>  <p>50 PCS</p>

# Assembly Steps(EN)



## INSTALLATION GUIDELINES

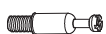
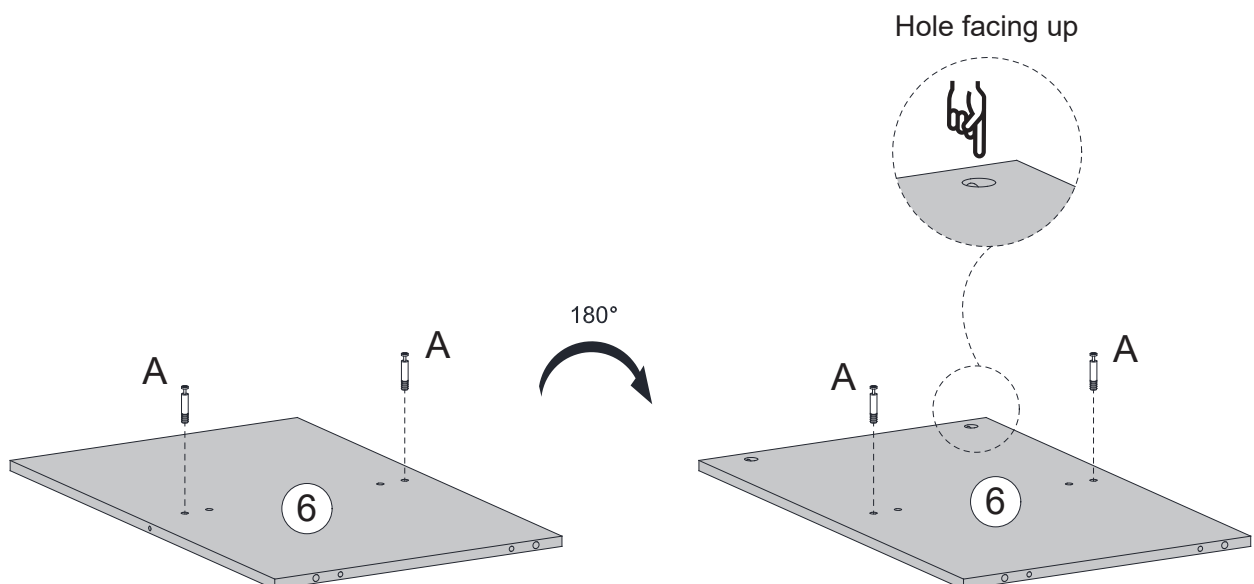
1. We recommend assembling the product with two people for ease and safety. This allows for better handling of larger components and reduces the risk of accidents.
2. Before assembly, please ensure that you have checked all the parts and make sure that no parts are missing.
3. Do not tighten up all the screws until each part is properly assembled.
4. We offer customers a free lifetime warranty. If you have any questions, please contact us, our email address is on the cover.
5. To avoid giving you a bad installation experience, please follow the following steps in the installation instructions, and carefully distinguish screws and boards.
6. To avoid choking hazards, please keep small parts and packaging materials away from children.
7. Adult assembly is required. Keep away from children during installation.
8. After the installation is completed, please use cotton cloth to clean the board.



We recommend that you use an electric drill for fast installation with the following drills.

When using power drills for assembly, ensure correct speed and compatible accessories. Using excessive speed or improper drill bits may cause damage.

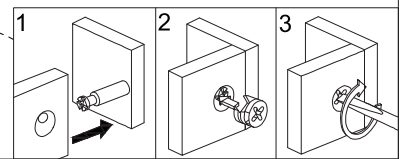
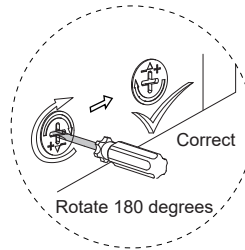
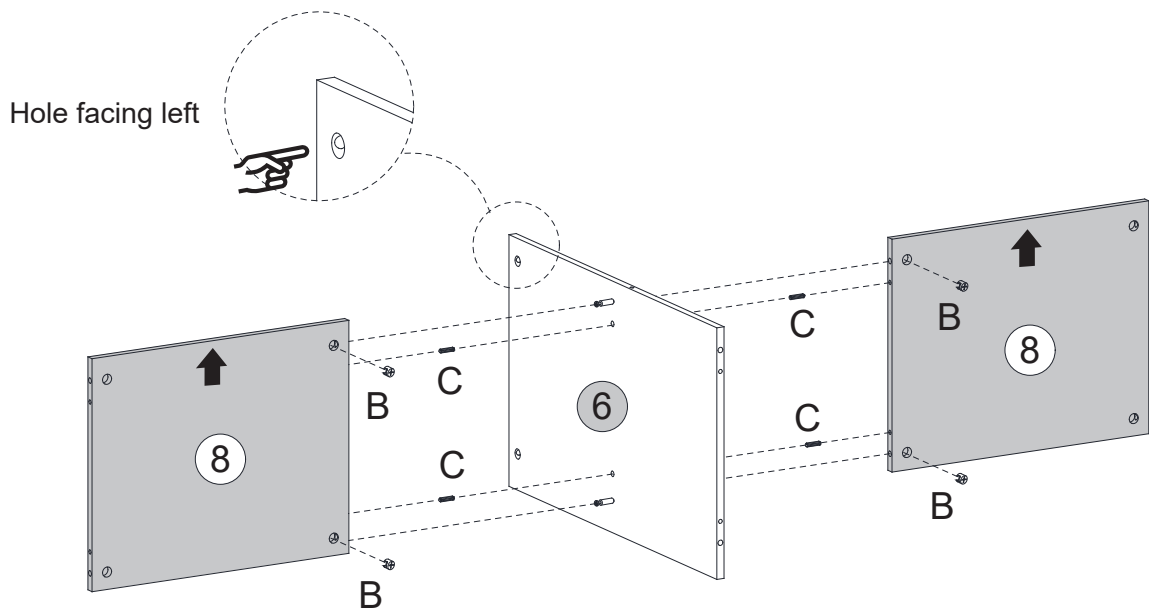
## STEP 1





A x 4PCS

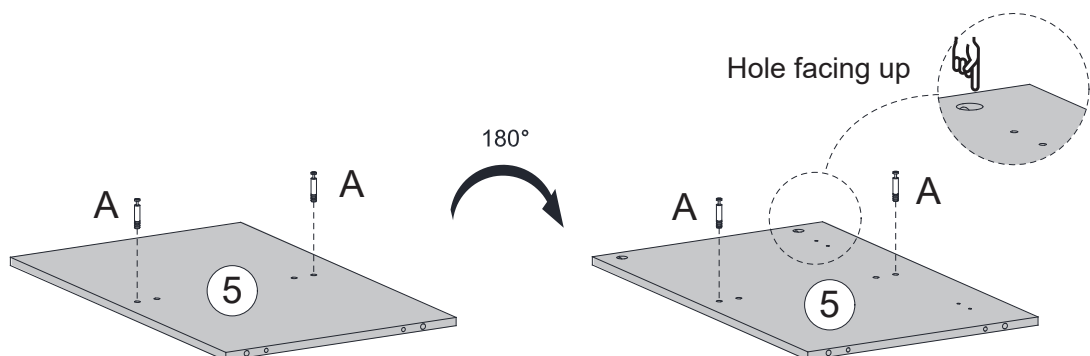
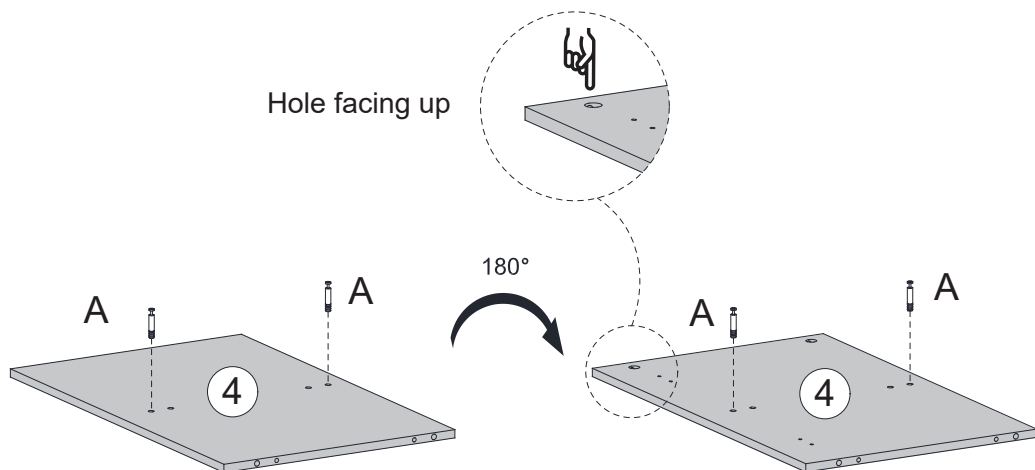
# Assembly Steps(EN)


## STEP 2



	B x 4PCS
	C x 4PCS

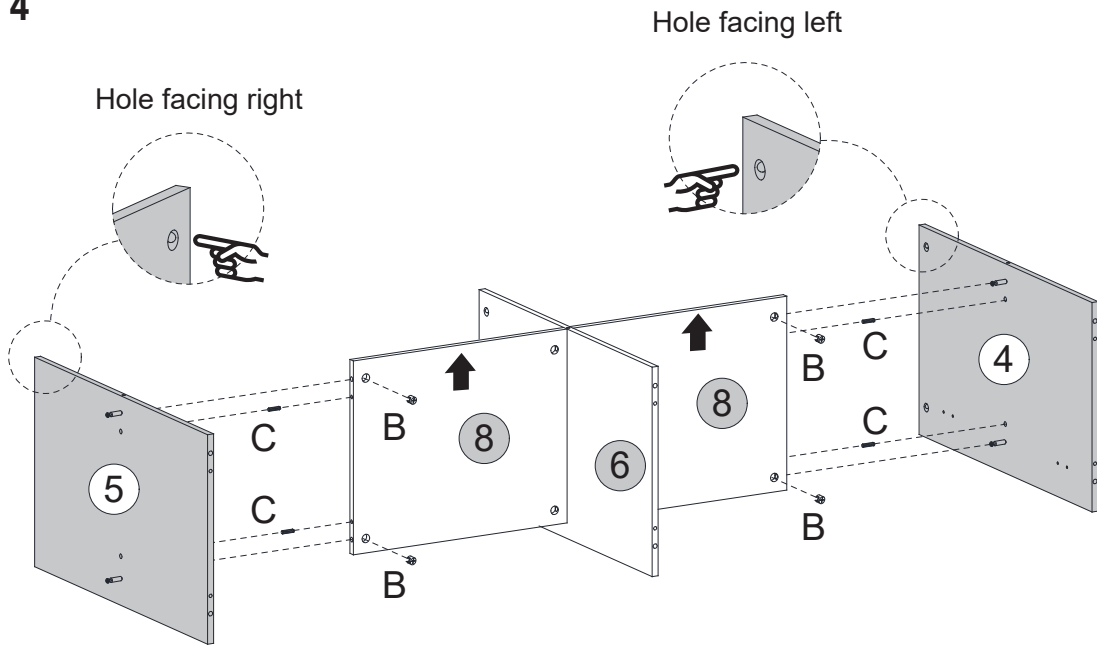
## STEP 3





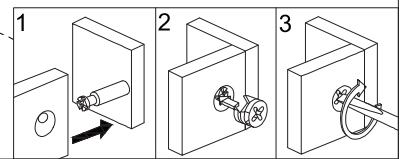
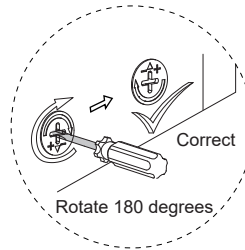
	A x 8PCS
---	----------

# Assembly Steps(EN)

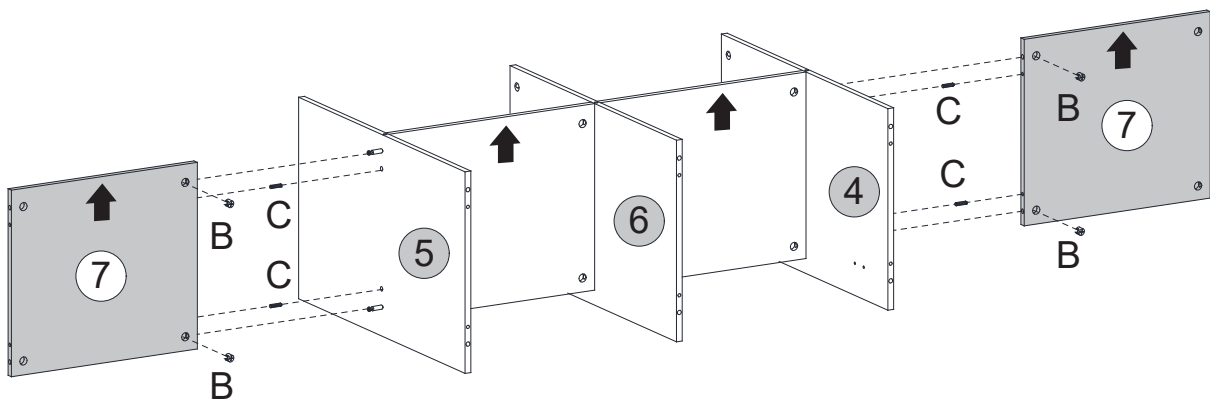
## STEP 4





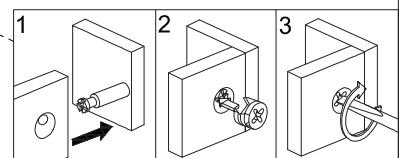
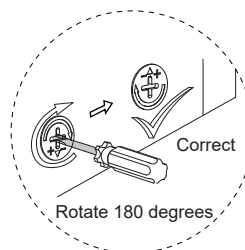
	B x 4PCS
	C x 4PCS



## STEP 5

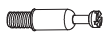
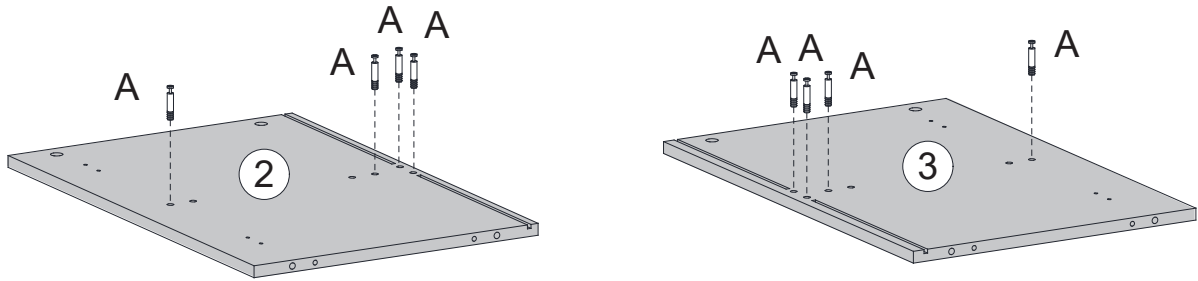


	B x 4PCS
	C x 4PCS



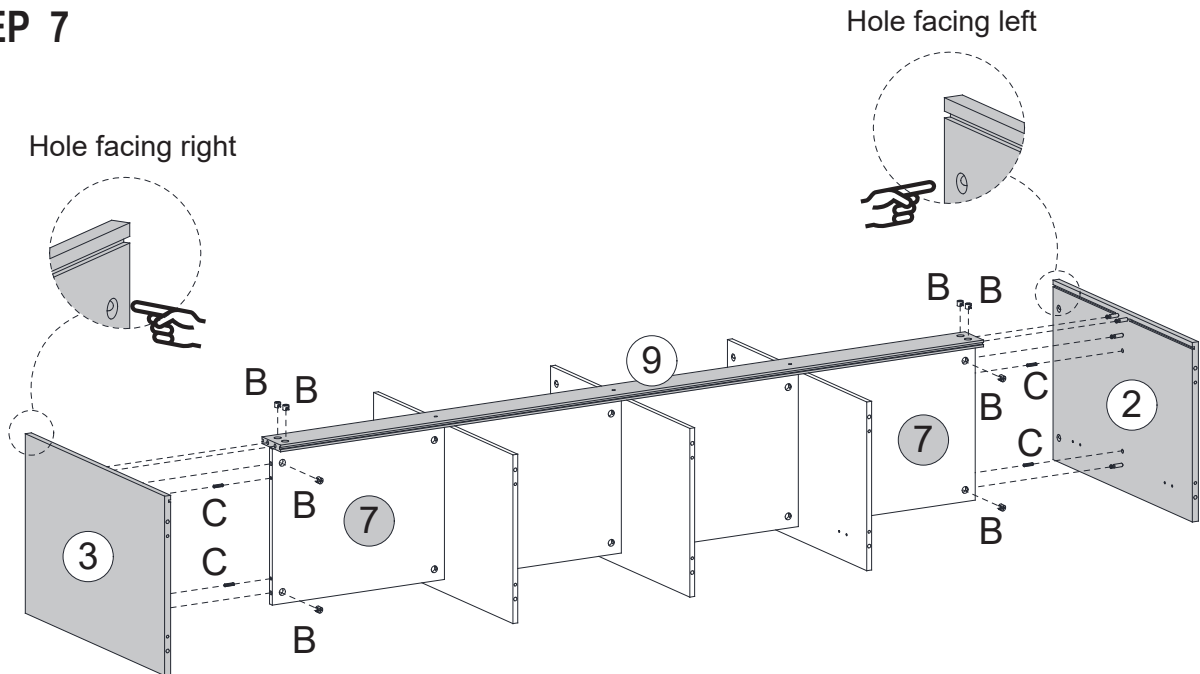
# Assembly Steps(EN)

## STEP 6



A x 8PCS

## STEP 7



Hole facing right

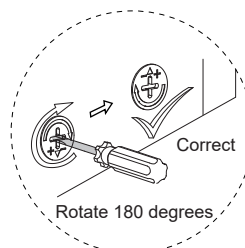
Hole facing left



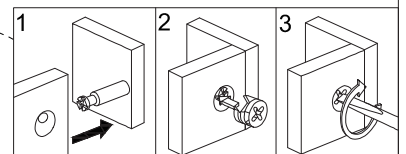
B x 8PCS



C x 4PCS



Rotate 180 degrees

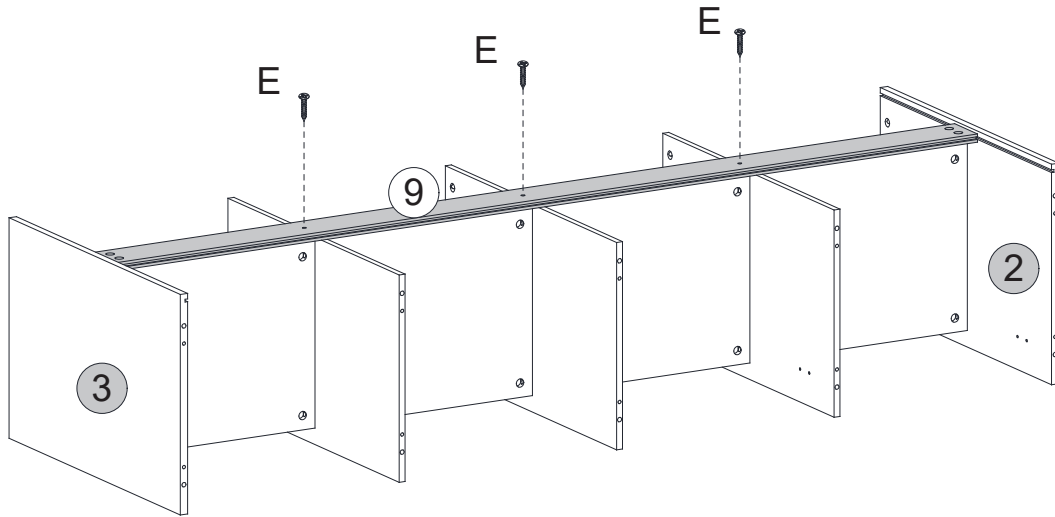


## Assembly Steps(EN)

### STEP 8

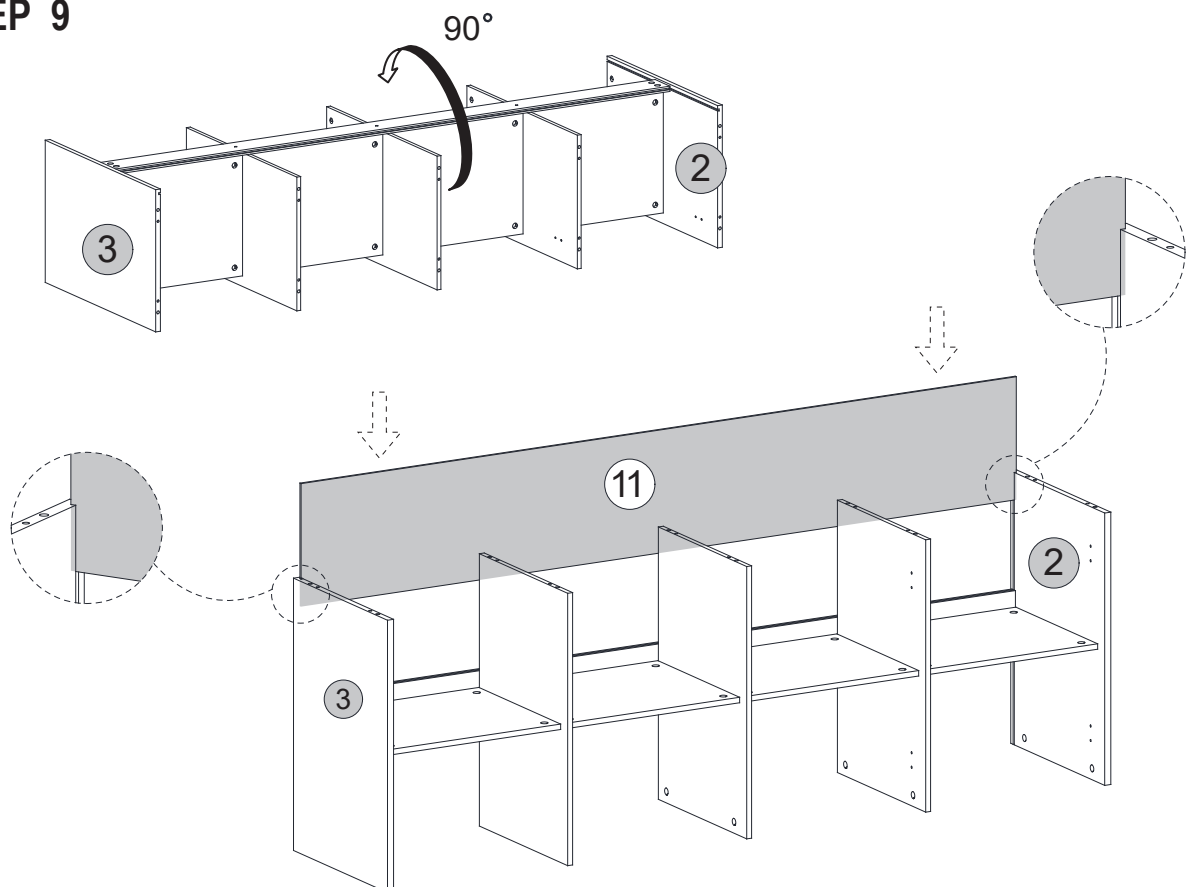


Do not tighten the screws until all the screws are properly placed.



E x 3PCS

### STEP 9

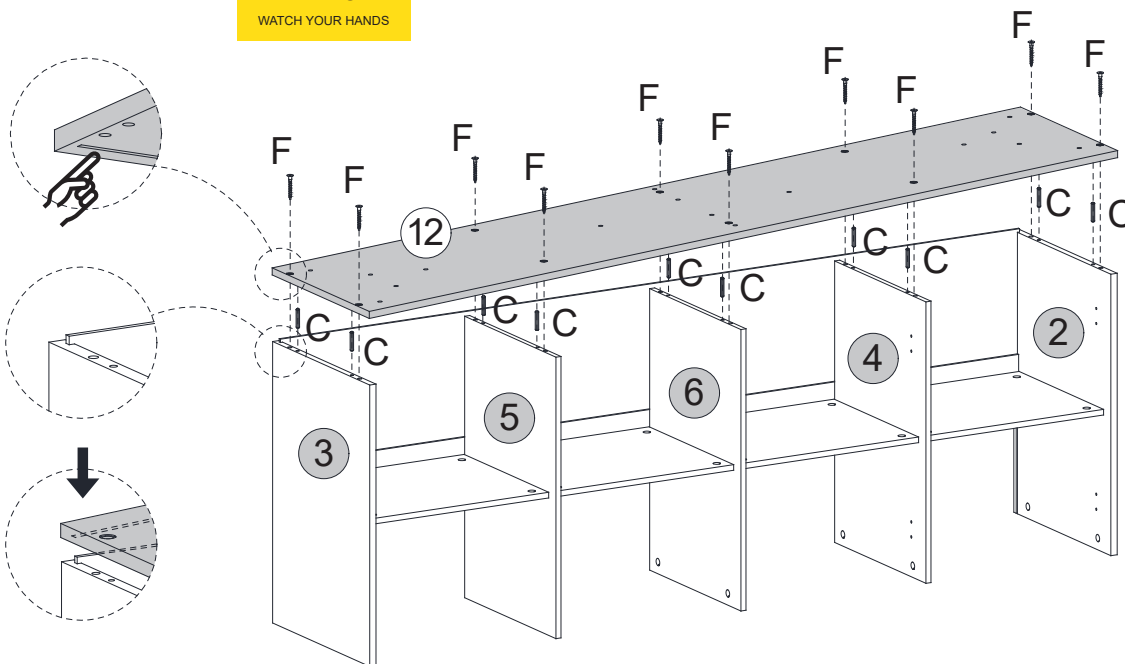




# Assembly Steps(EN)

## STEP 10

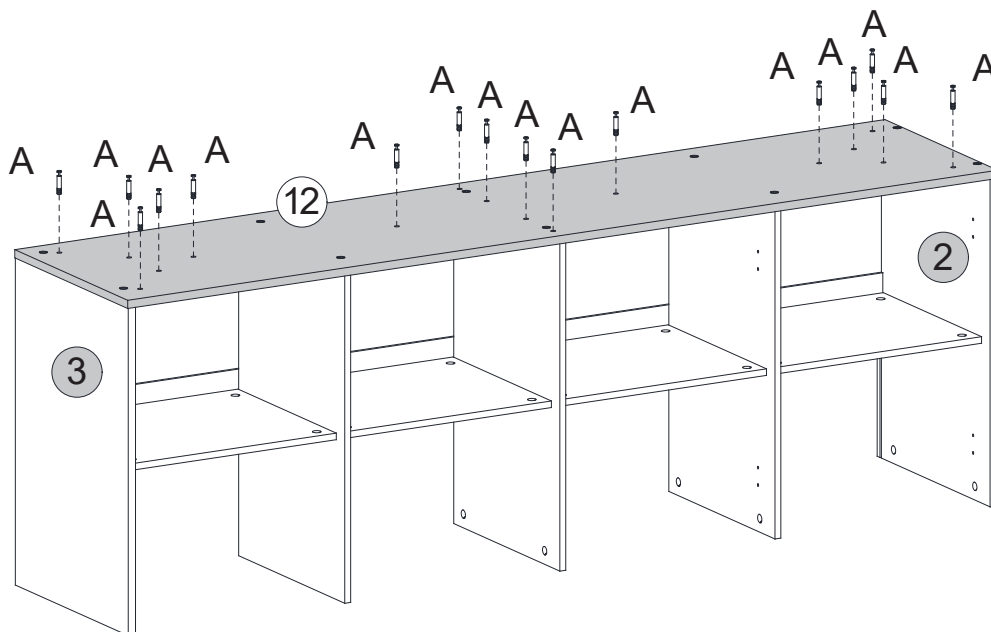


Please put the board slowly down from one side.



	C x 10PCS
	F x 10PCS

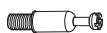
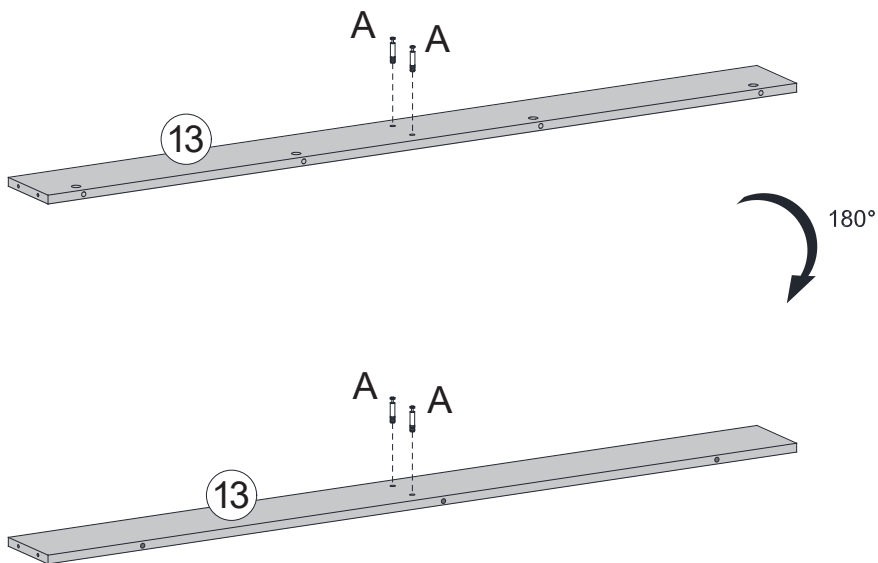
## STEP 11



	A x 16PCS
---	-----------

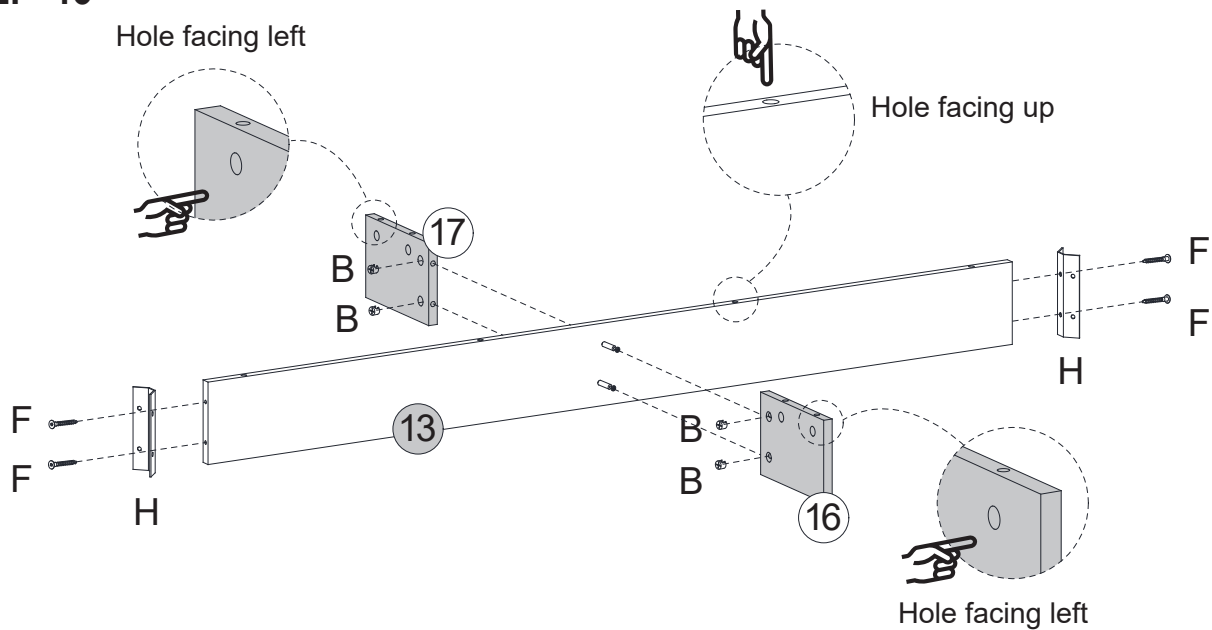
# Assembly Steps(EN)

## STEP 12



A x 4PCS

## STEP 13



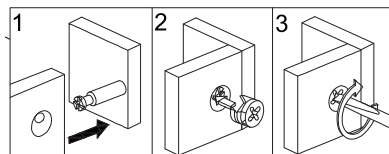
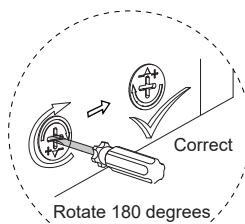
B x 4PCS



F x 4PCS

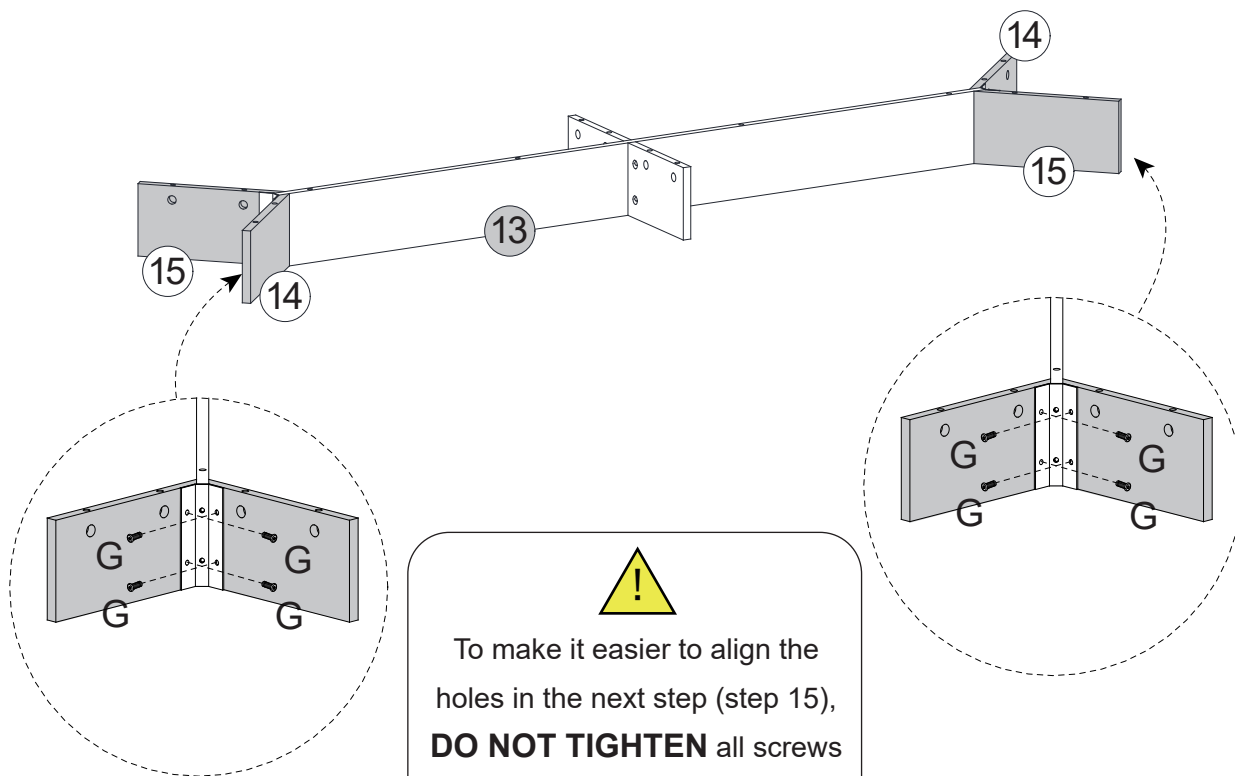


H x 2PCS



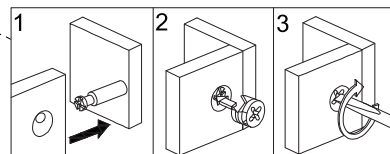
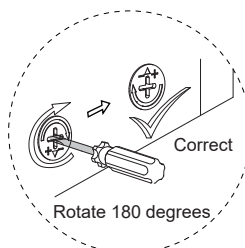
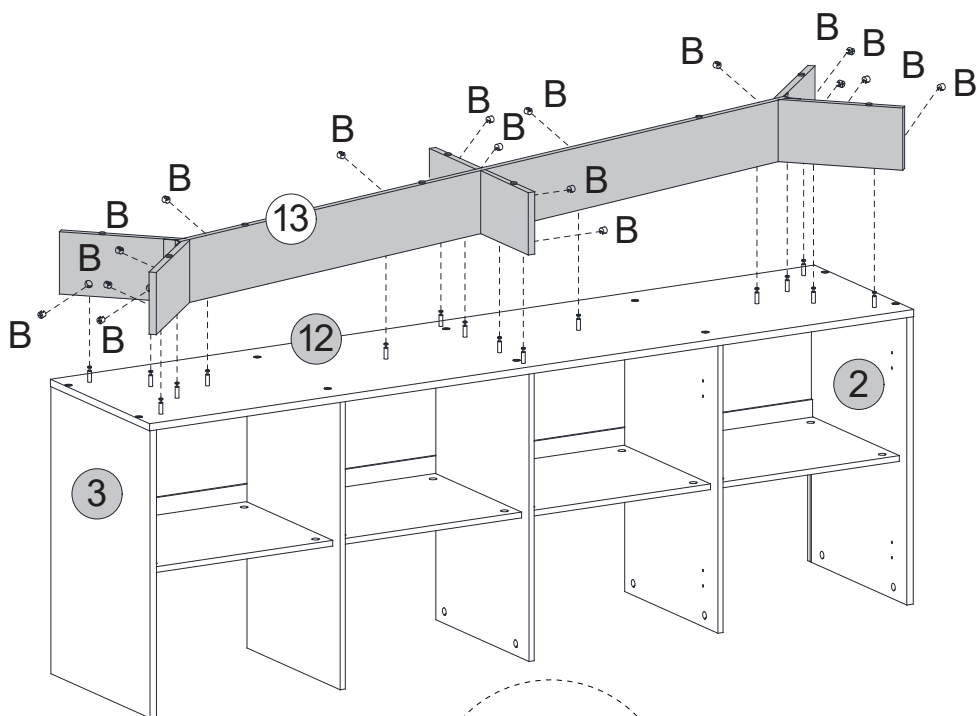
# Assembly Steps(EN)

## STEP 14



G x 8PCS

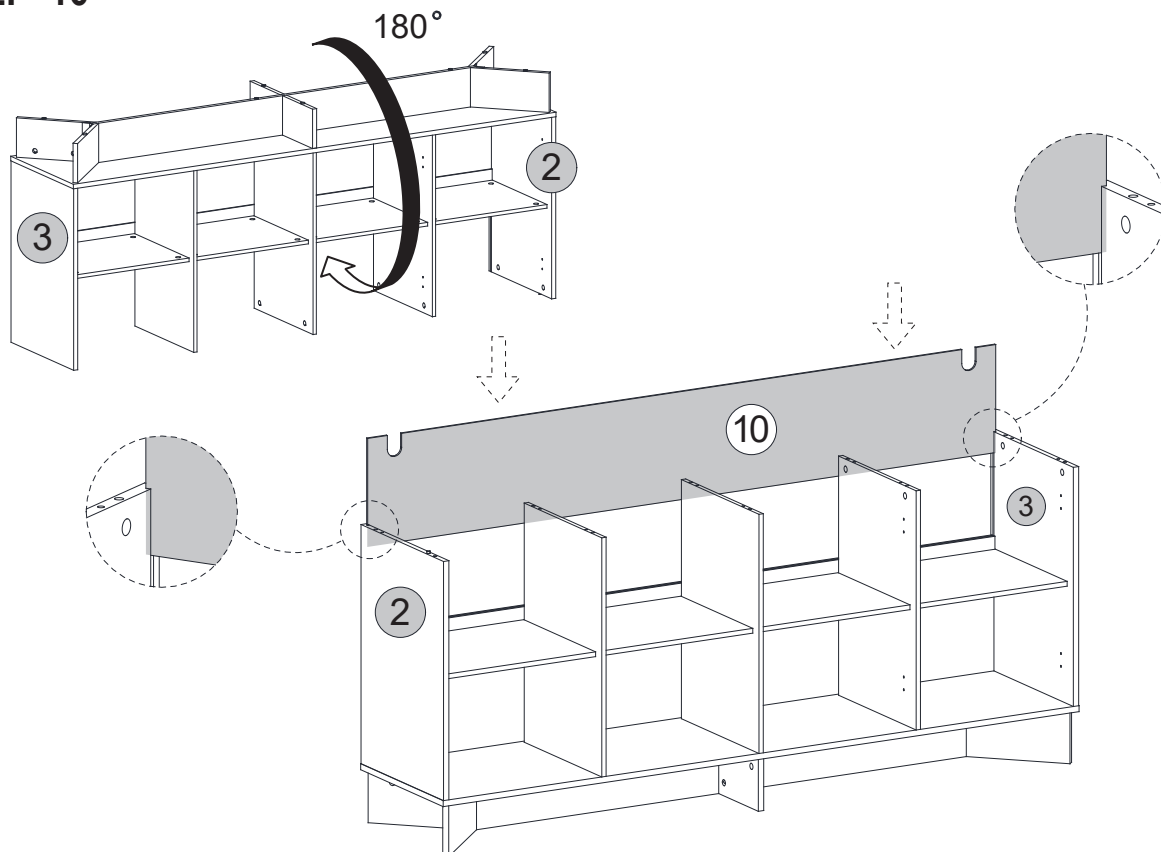
## STEP 15



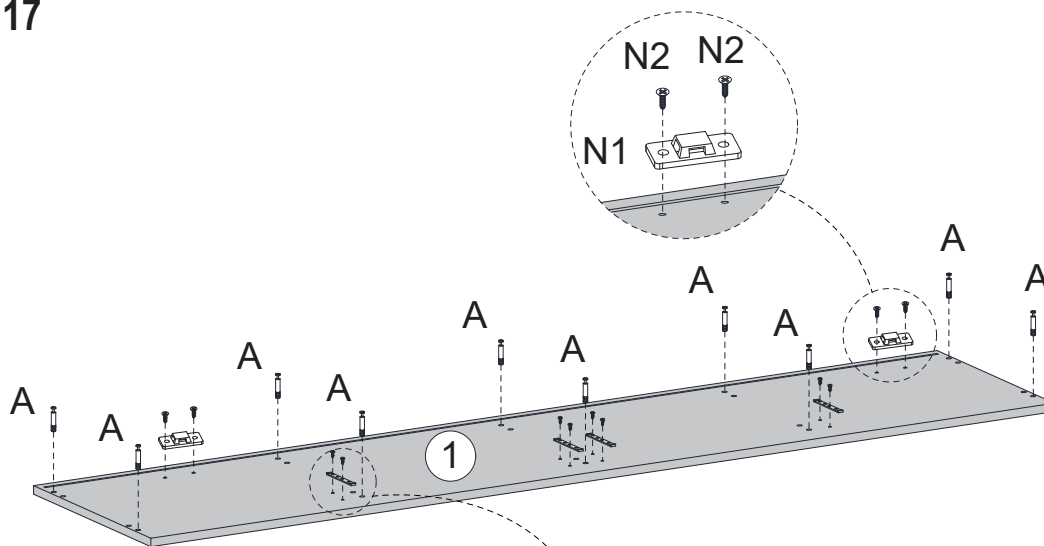
B x 16PCS

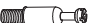




# Assembly Steps(EN)

## STEP 16

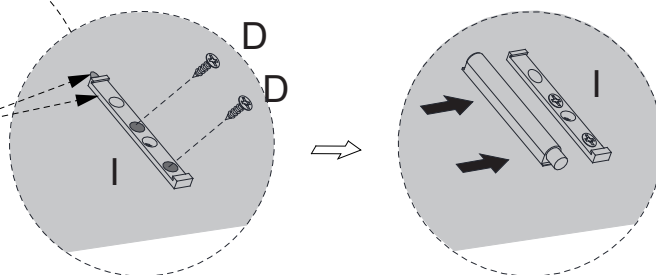


## STEP 17



	A x 10PCS
	D x 8PCS
	I x 4PCS
	N1 x 1PC
	N2 x 2PCS

Ensure the pointed end of the component is oriented towards the board groove.

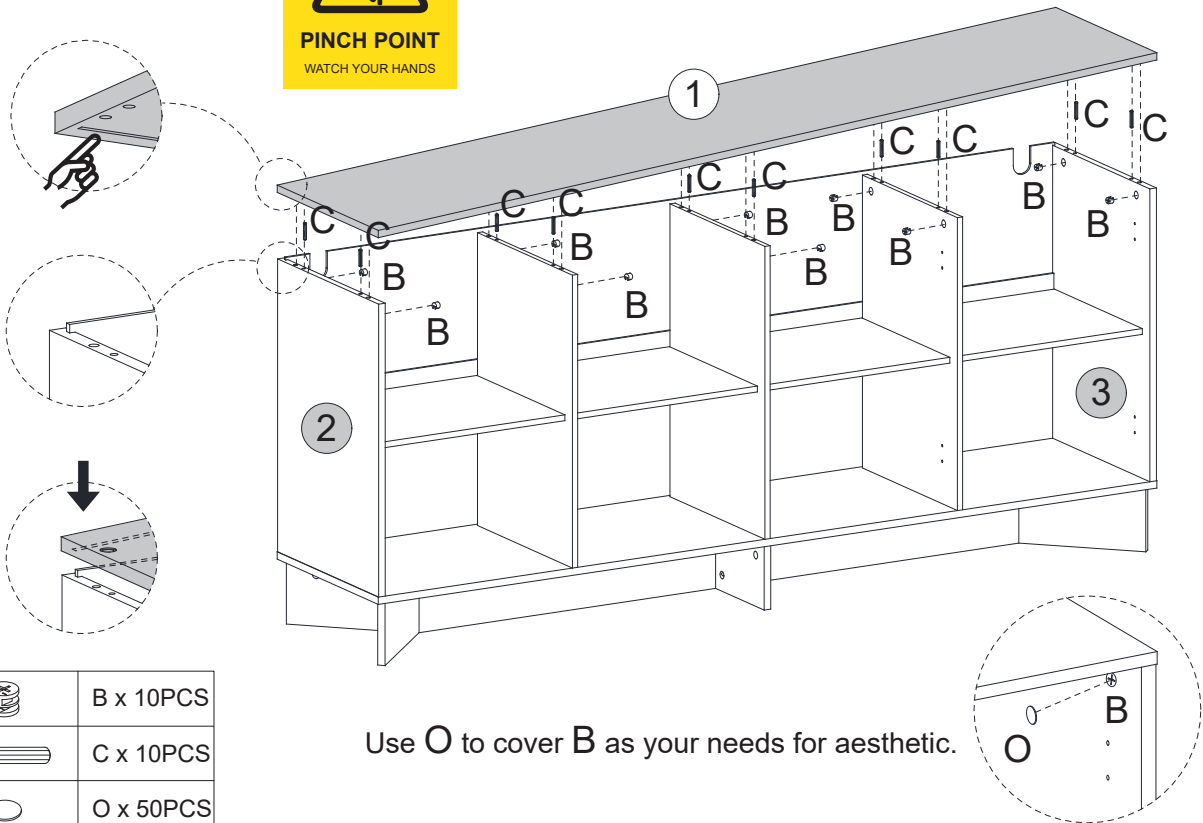


# Assembly Steps(EN)

## STEP 18

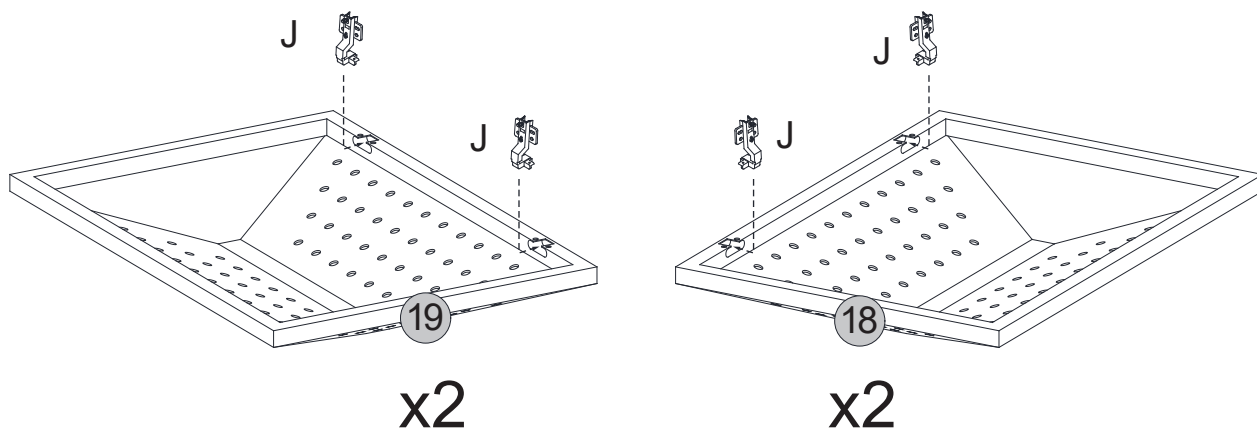
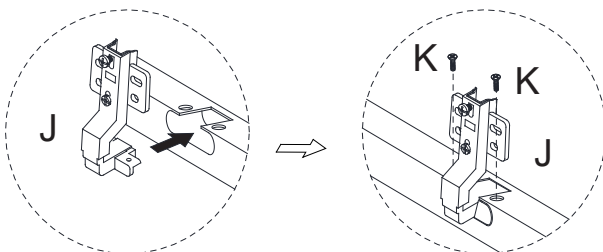


Please put the board slowly down from one side.



Use O to cover B as your needs for aesthetic.

## STEP 19



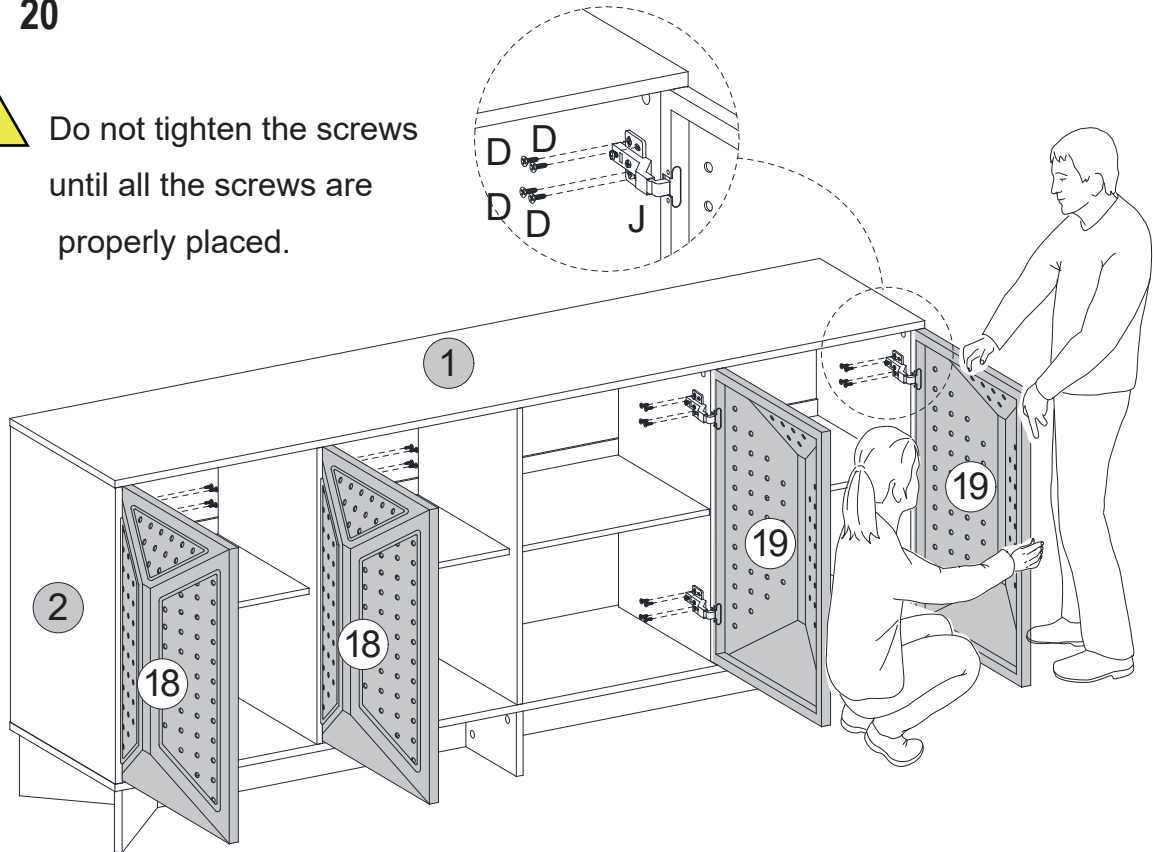
	J x 8PCS
	K x 16PCS

## Assembly Steps(EN)

### STEP 20

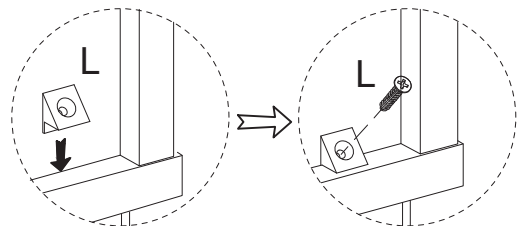
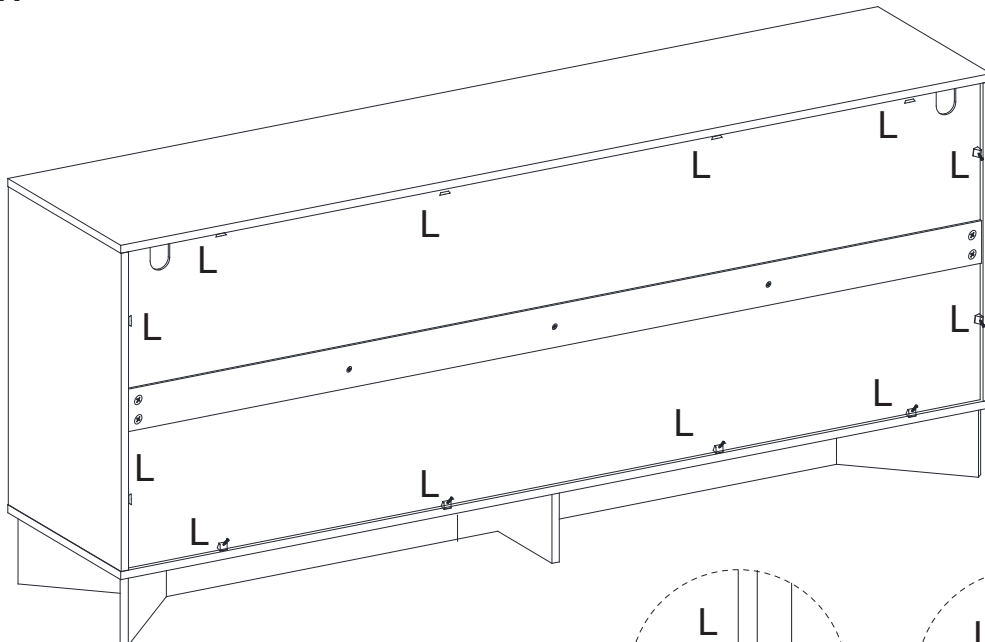


Do not tighten the screws until all the screws are properly placed.



D x 32PCS

### STEP 21



Use **L** to reinforce the boards.

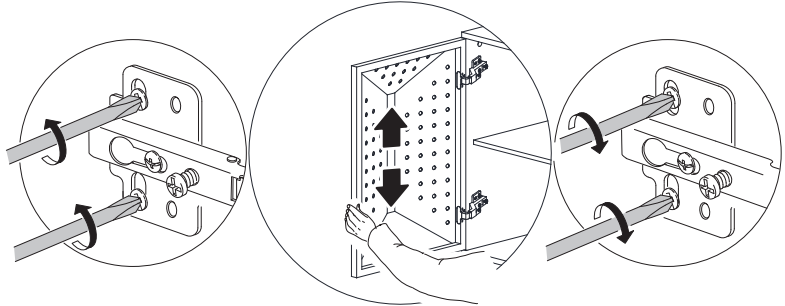
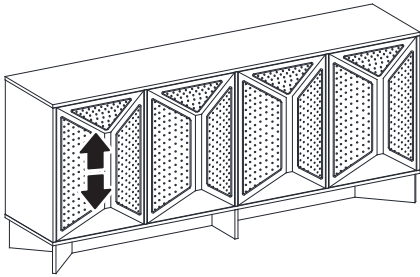


L x 12PCS

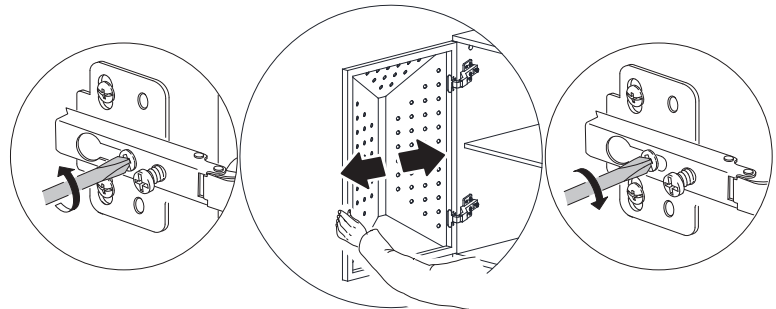
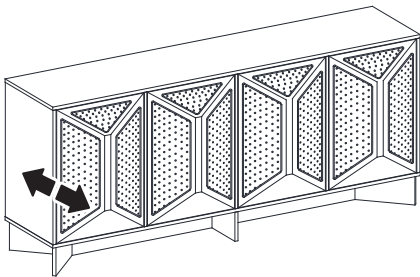
# Assembly Steps(EN)

## STEP 22

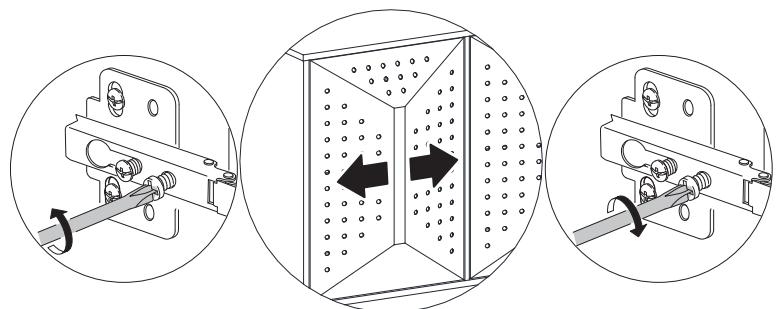
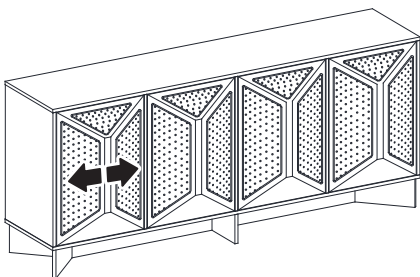
Adjust the hinge as your needs for doors position



Adjust door height



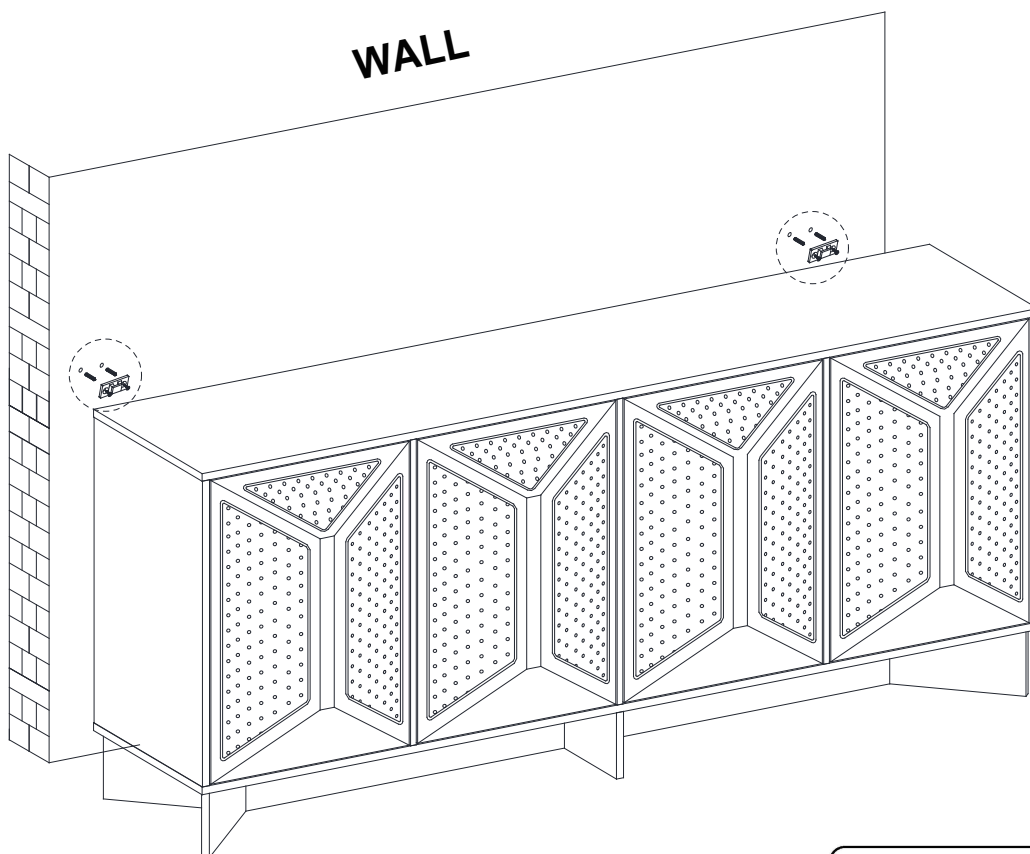
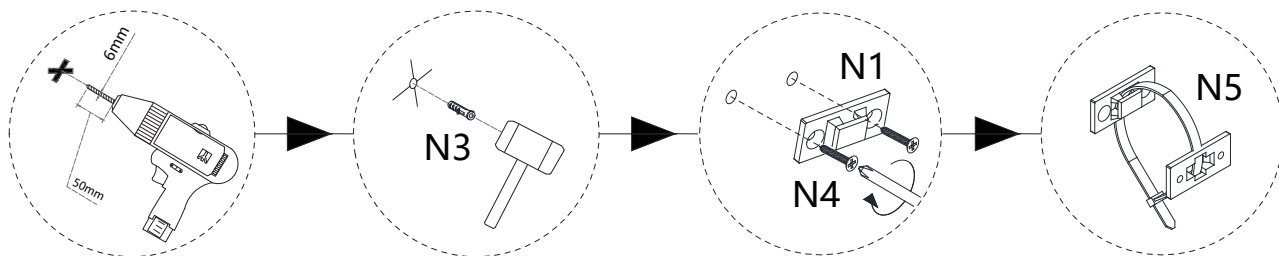
Adjust door depth



Adjust door length

# Assembly Steps(EN)

## STEP 23



WALL

	N1 x 1PC
	N3 x 2PCS
	N4 x 2PCS
	N5 x 2PCS



Attention: For safety and stability, we suggest you secure the anti-tip accessories to the wall to prevent tipping, injury, and property damage.