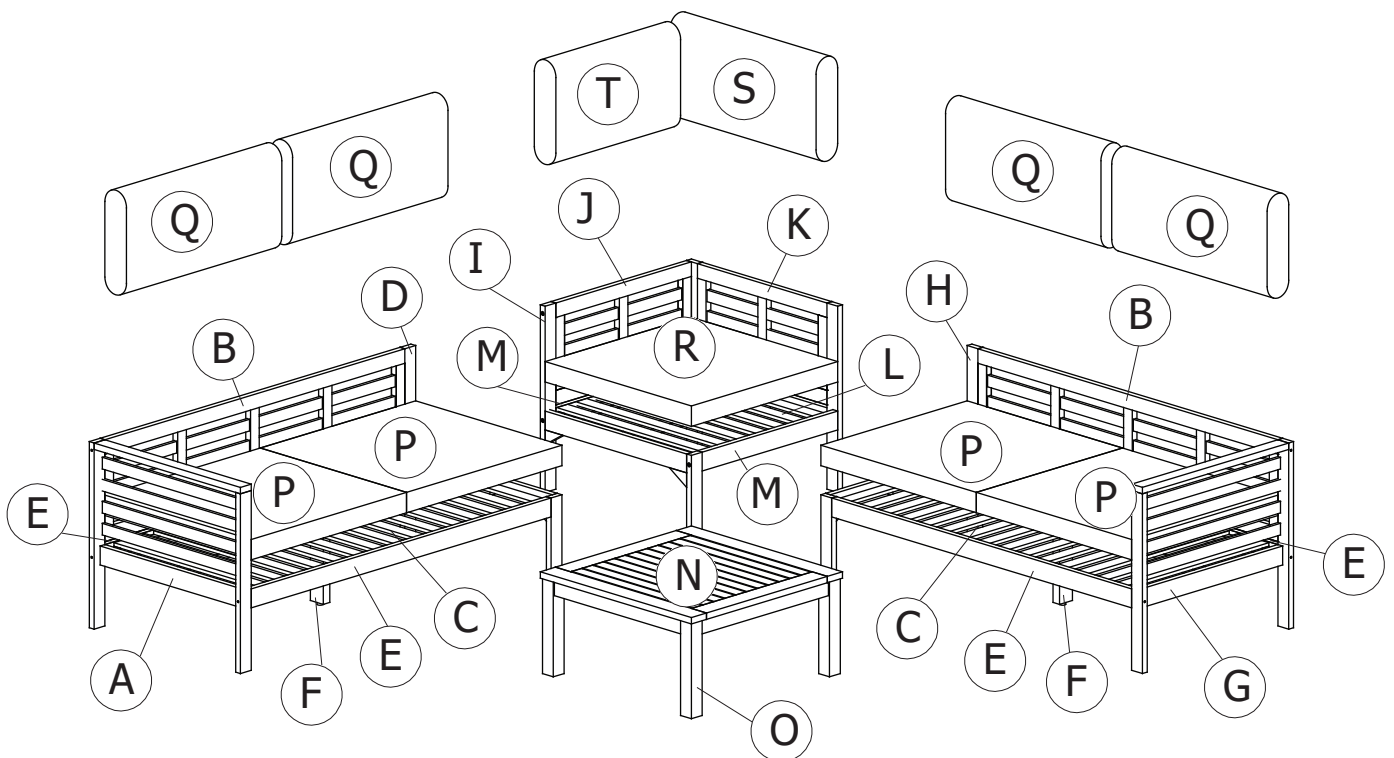
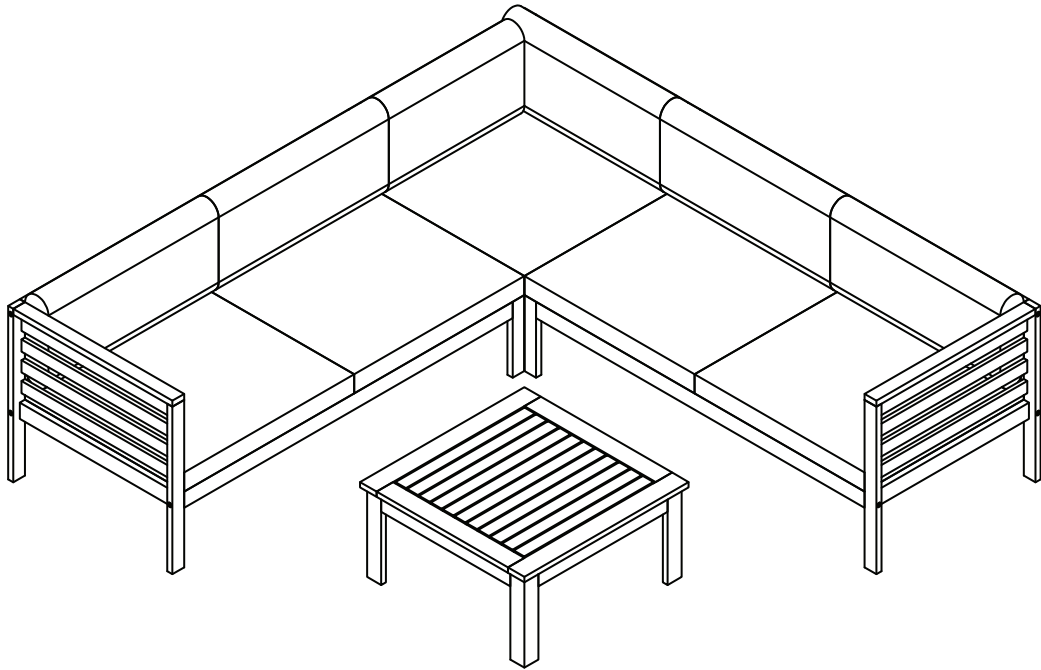
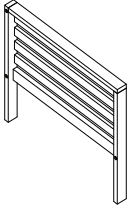
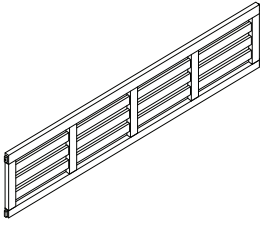
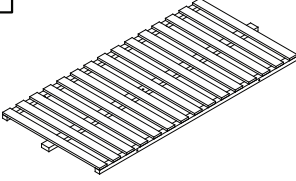
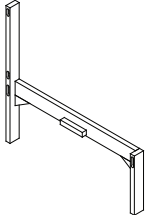
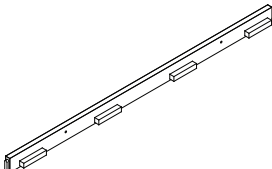

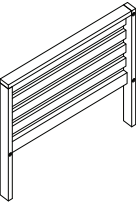
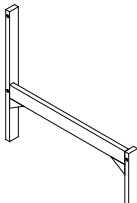
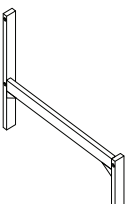
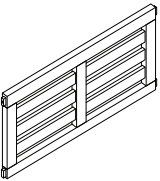
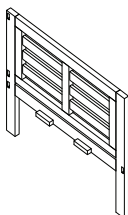
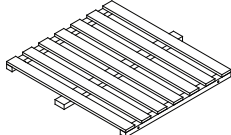
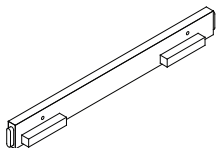
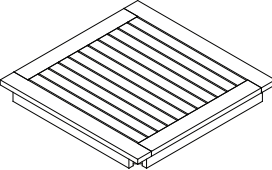

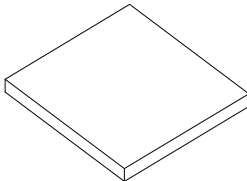
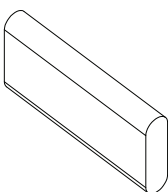
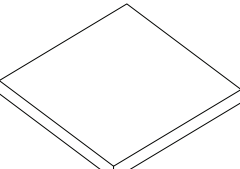
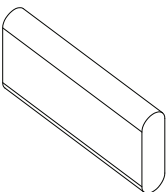
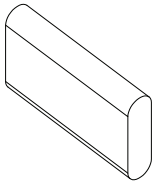


ASSEMBLY INSTRUCTION

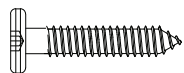


Part List

A  (1 pc)	B  (2 pcs)	C  (2 pcs)	D  (1 pc)
E  (4 pcs)	F  (2 pcs)	G  (1 pc)	H  (1 pc)
I  (1 pc)	J  (1 pc)	K  (1 pc)	L  (1 pc)
M  (2 pcs)	N  (1 pc)	O  (4 pcs)	P  (4 pcs)
Q  (4 pcs)	R  (1 pc)	S  (1 pc)	T  (1 pc)

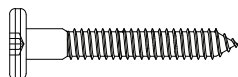
Hardware List

1



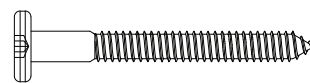
M6x45
(12 pcs)

2



M6x50
(2 pcs)

3



M6x80
(18 pcs)

4



M8x50
(4 pcs)

5



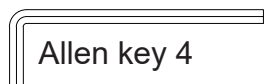
Ø8.5x20
(4 pcs)

6



Ø8.5x20
(4 pcs)

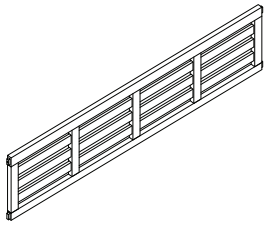
7



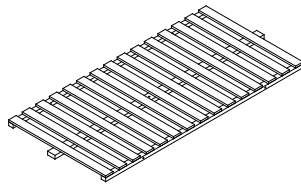
Allen key 4

(4 pcs)

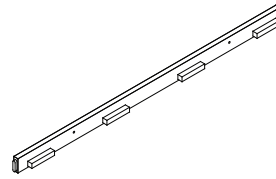
CARTON CONTENT:



B (2 pcs)



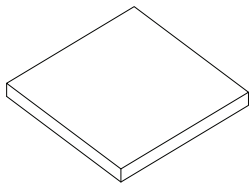
C (2 pcs)



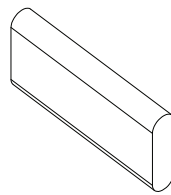
E (4 pcs)



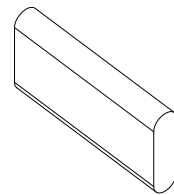
F (2 pcs)



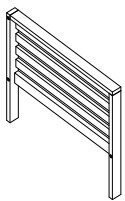
P (4 pcs)



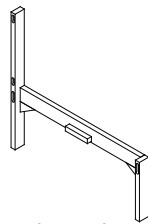
Q (4 pcs)



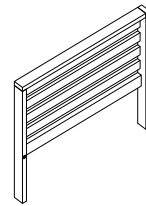
S (1 pc)



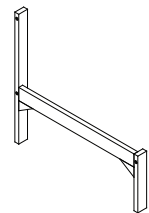
A (1 pc)



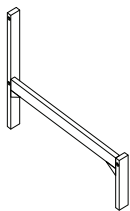
D (1 pc)



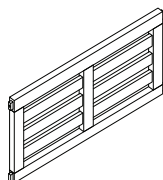
G (1 pc)



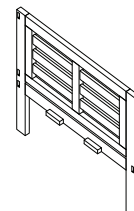
H (1 pc)



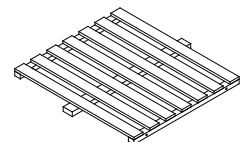
I (1 pc)



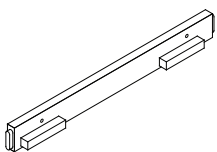
J (1 pc)



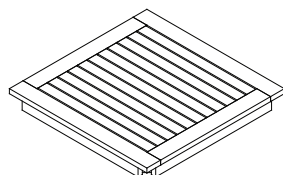
K (1 pc)



L (1 pc)



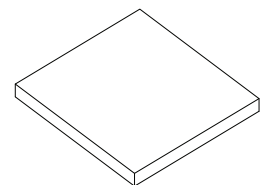
M (2 pcs)



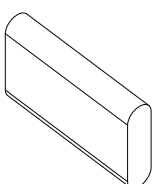
N (1 pc)



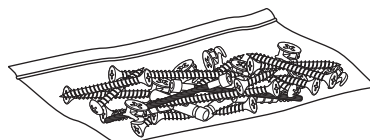
O (4 pcs)



R (1 pc)



T (1 pc)



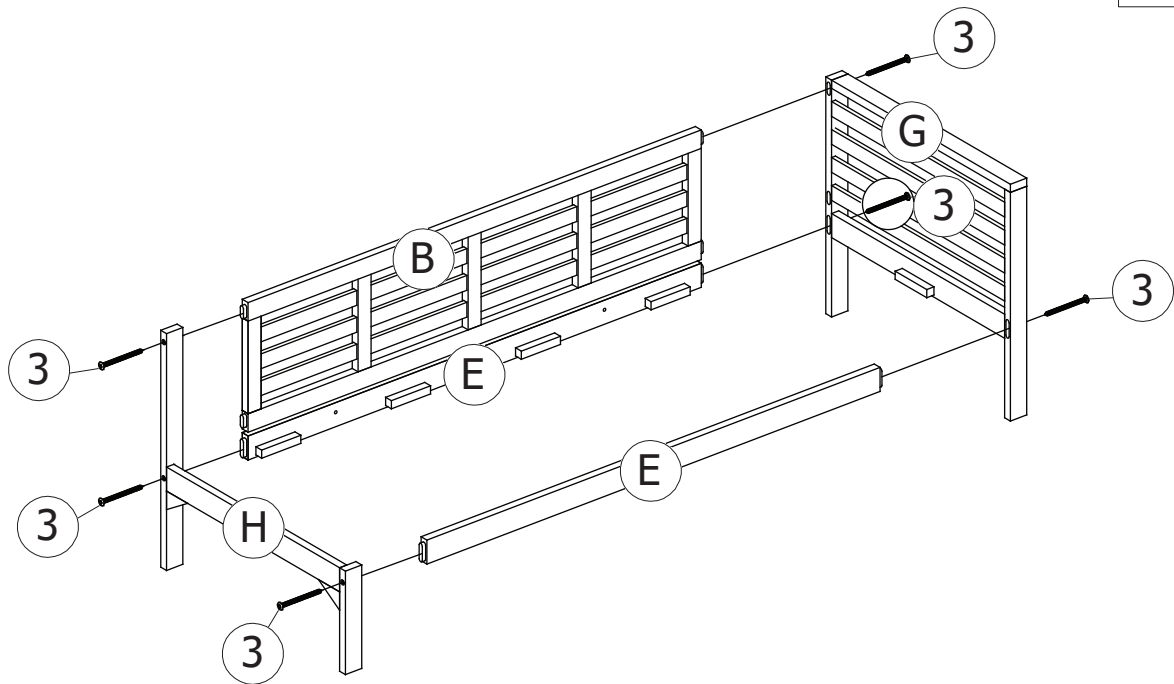
Hardware

STEP1: Following below illustration.

3



6pcs

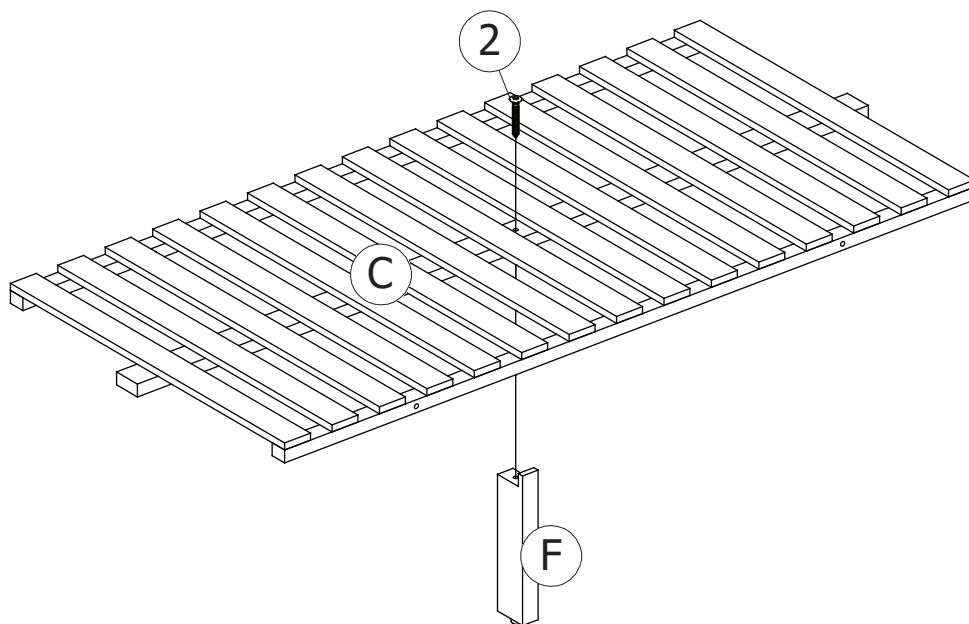


STEP2: Following below illustration.

2



1pc

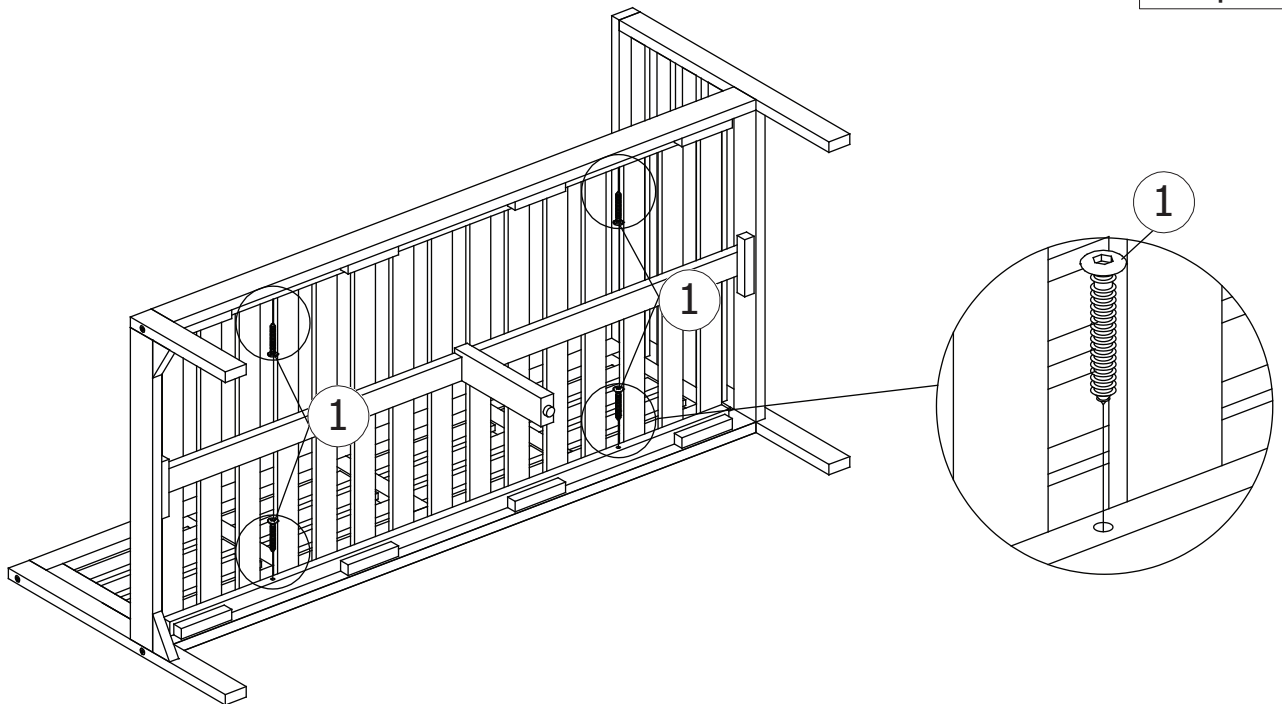


STEP3: Following below illustration.

1



4pcs

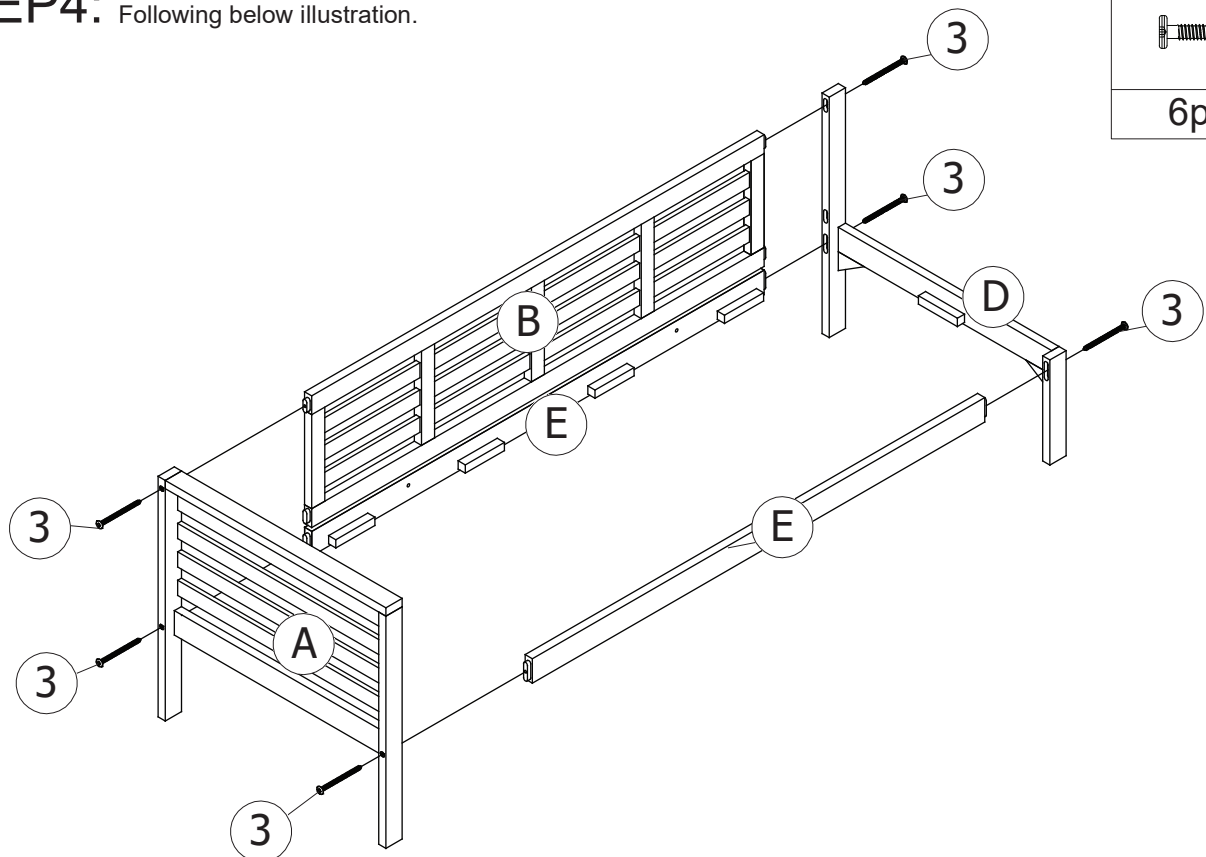


STEP4: Following below illustration.

3



6pcs

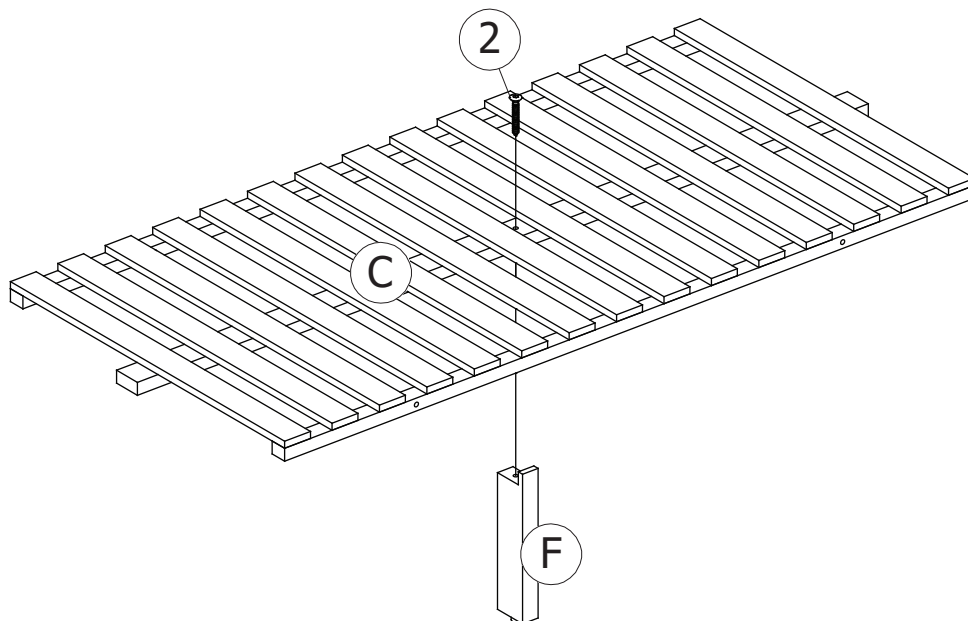


STEP5: Following below illustration.

2



1pc

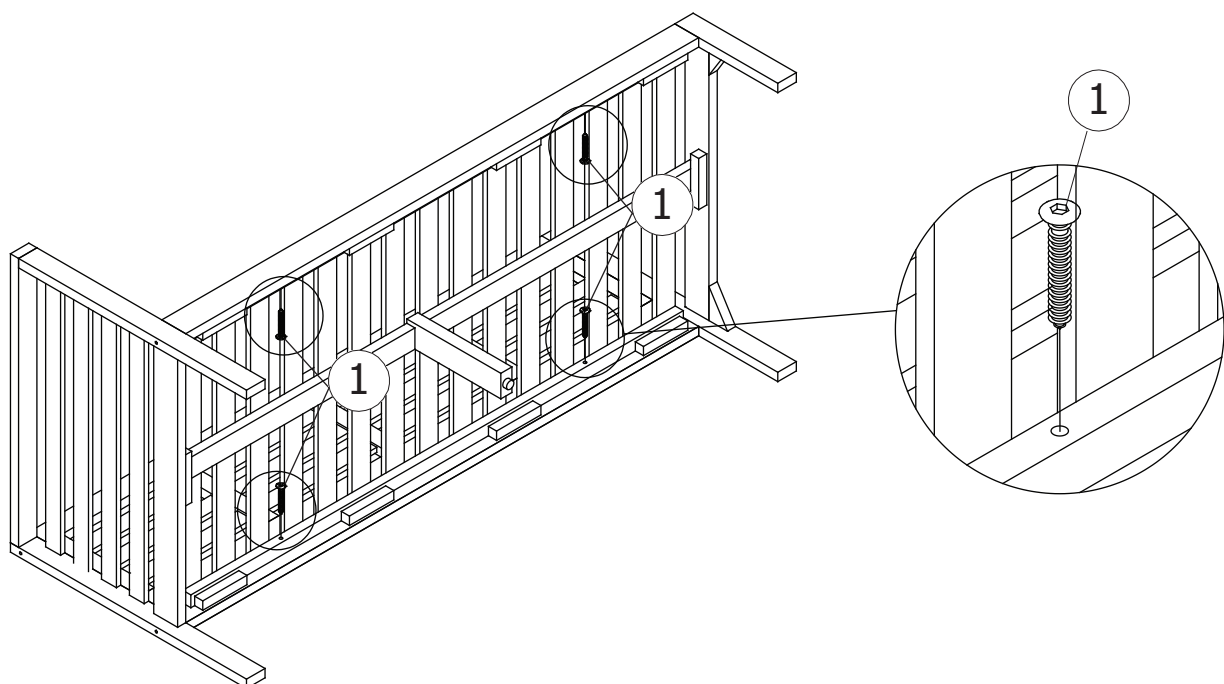


STEP6: Following below illustration.

1



4pcs



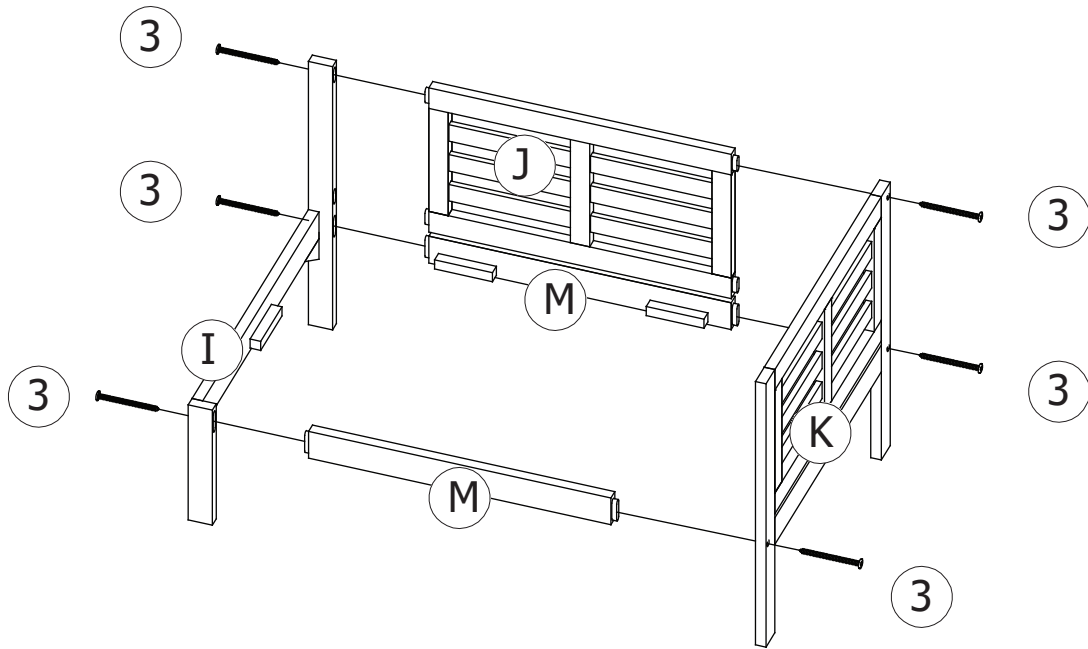
7/10

STEP7: Following below illustration.

3



6pcs

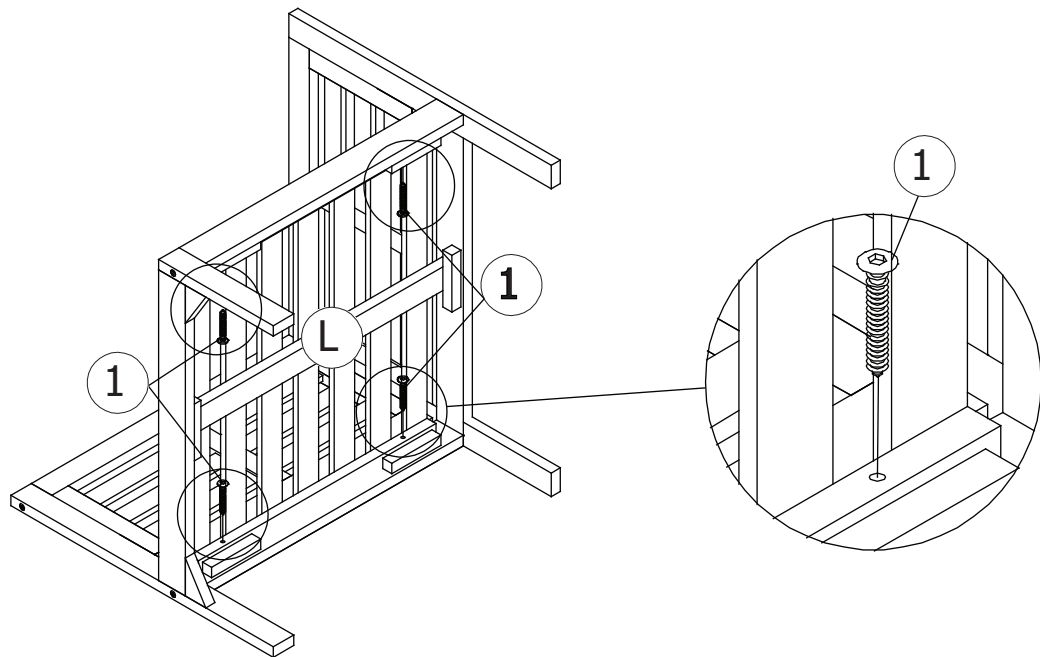


STEP8: Following below illustration.

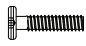


1

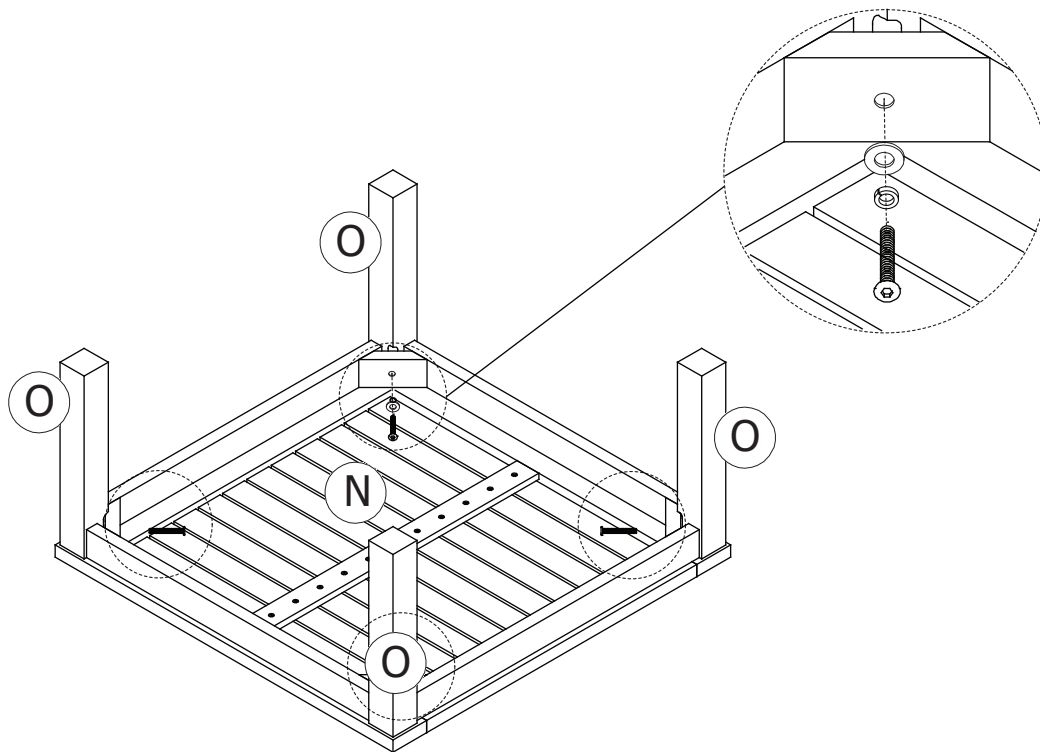


4pcs

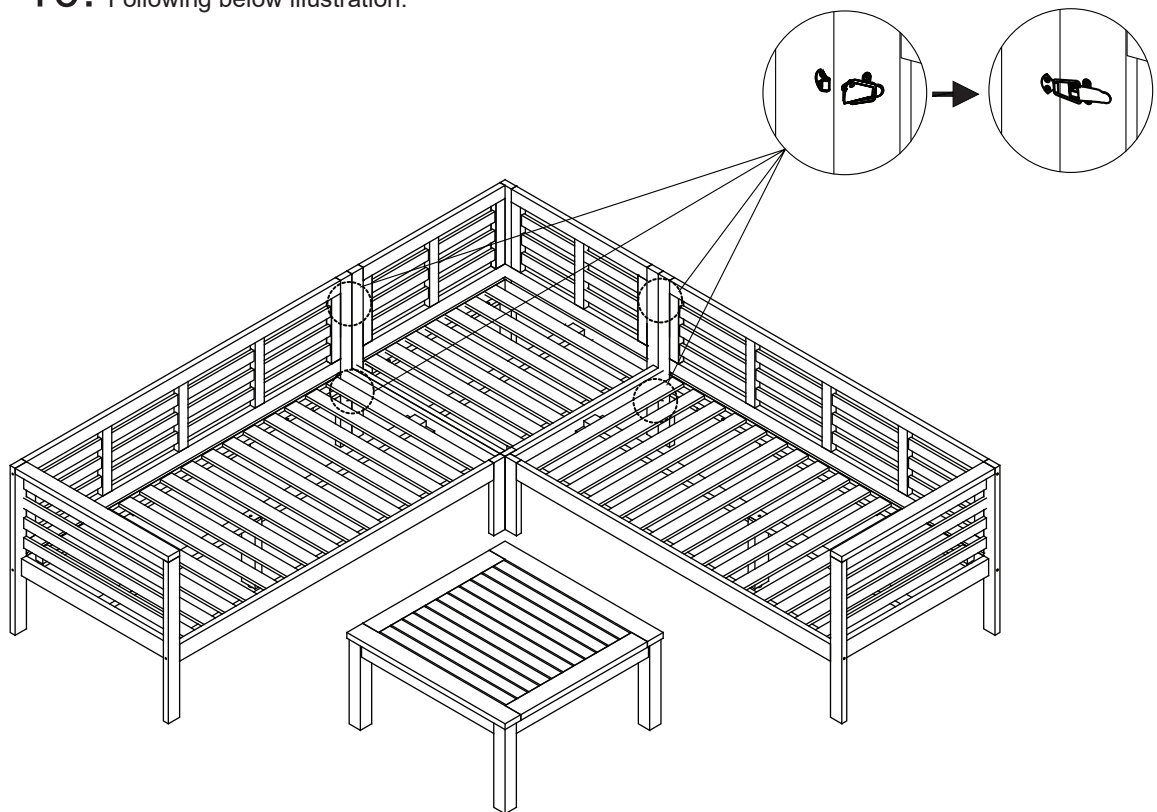


STEP9: Following below illustration.

4	
	4pcs
5	
	4pcs
6	
	4pcs



STEP10: Following below illustration.



FINISH:

