

# ASSEMBLY INSTRUCTION

## AVA W KING BED



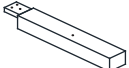

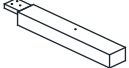
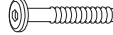












B1891-215 AVA 6/0 WK HEADBOARD, FOOTBOARD & SLAT KIT-EBONY  
B1891-235 AVA 6/0 WK PANEL SIDE RAILS-EBONY

Thank you for purchasing this quality product. Be sure to check all packing materials carefully for small parts, which may have come loose inside the carton during shipment. Identify and count all items and compare with the parts list and/or hardware list shown below.

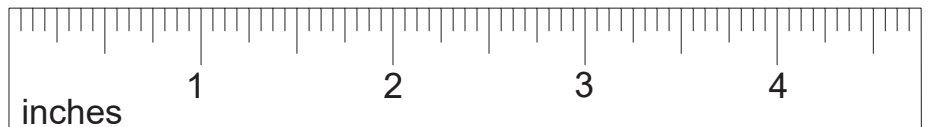
Please read all instructions carefully. See the hardware and furniture part listing for guidance. Be sure you have all parts listed before beginning assembly. Place all wooden parts on a clean, flat surface to protect the finish from scratches. Follow the diagram to assemble.

### CAUTION

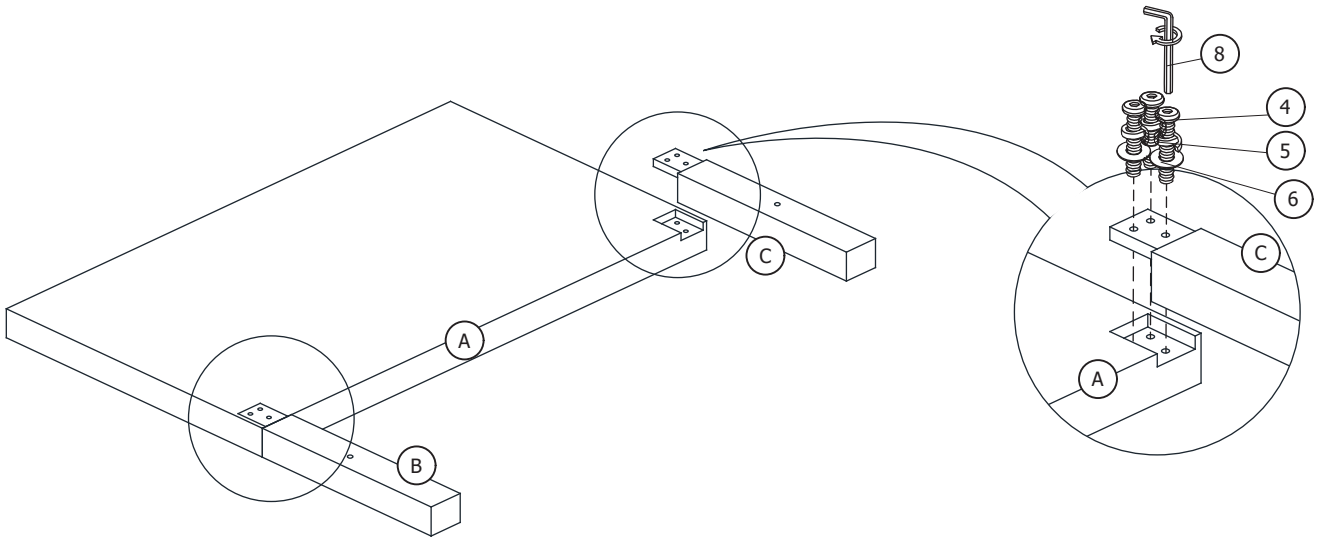
1. Do not fully tighten the nuts or bolts until the table is fully assembled.
2. Please tighten by hand, not by a drill. Overtightening will damage threads. Do not overtighten.
3. Keep all hardware out of the reach of children.

PARTS LIST				HARDWARE LIST			
ITEM	DESCRIPTION	SKETCH	QTY	ITEM	DESCRIPTION	SKETCH	QTY
A	HEADBOARD		1 PC	1	BOLT M8 x 3/4"		8 PCS
B	RIGHT SIDE FACING (RSF) HEADBOARD LEG		1 PC	2	BOLT M6 x 1/2"		6 PCS
C	LEFT SIDE FACING (LSF) HEADBOARD LEG		1 PC	3	BOLT M6 x 1 3/8"		10 PCS
D	FOOTBOARD		1 PC	4	BOLT M6 x 2"		6 PCS
E	FOOTBOARD LEG		2 PCS	5	SPRING WASHER M6 x 1/2"		8 PCS
F	SIDE RAIL		2 PCS	6	FLAT WASHER M6 x 3/4"		8 PCS
G	SLAT		4 PCS	7	CSK C/B SCREW M4 x 1 1/4"		8 PCS
H	SLAT SUPPORT LEG		8 PCS	8	ALLEN KEY M4 x 4"		1 PC
I	HEADBOARD SUPPORT RAIL		1 PC	9	ALLEN KEY M5 x 2 1/2"		1 PC

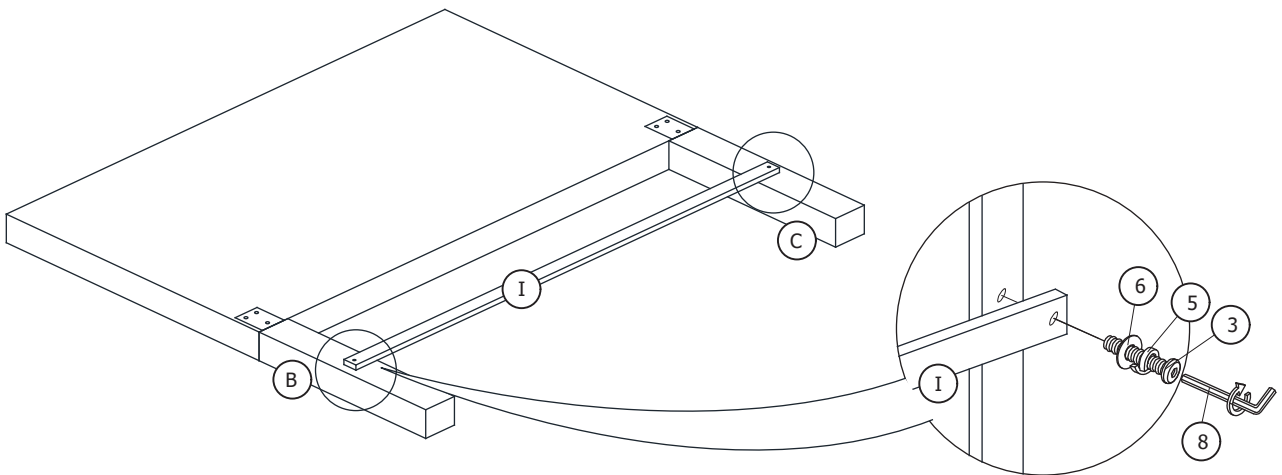
HARDWARE DIMENSIONS  
VERIFICATION TOOL



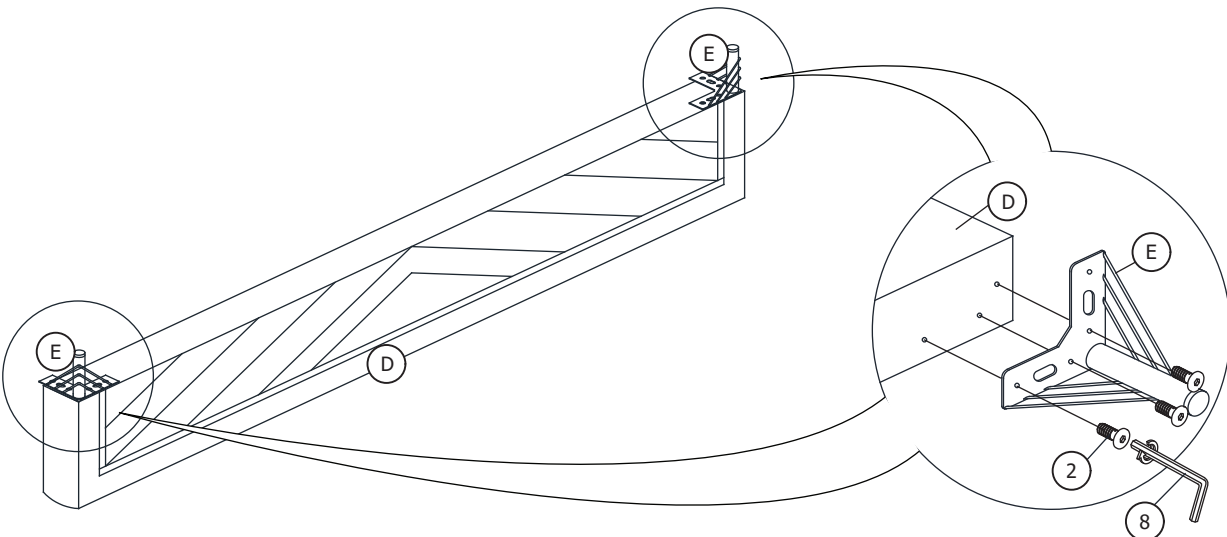
**STEP 1:** Please the Headboard (A) face down on a soft and clean area. Attach RSF Headboard leg (B) and RSF Headboard leg (C) to the Headboard (A) by using Allen Key (8) with hardware 4, 5, and 6.



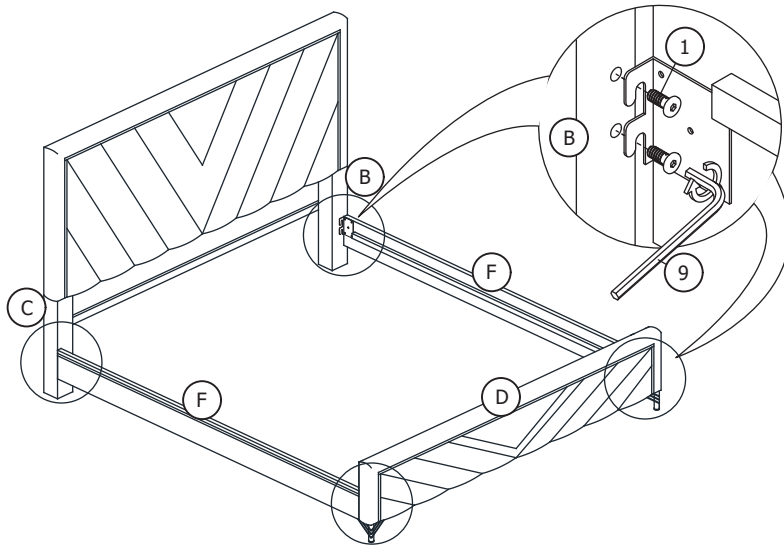
**STEP 2:** Attach Headboard Support Rail (I) to the RSF Headboard leg (B) and RSF Headboard leg (C) by using Allen Key (8) with hardware 3, 5, and 6.



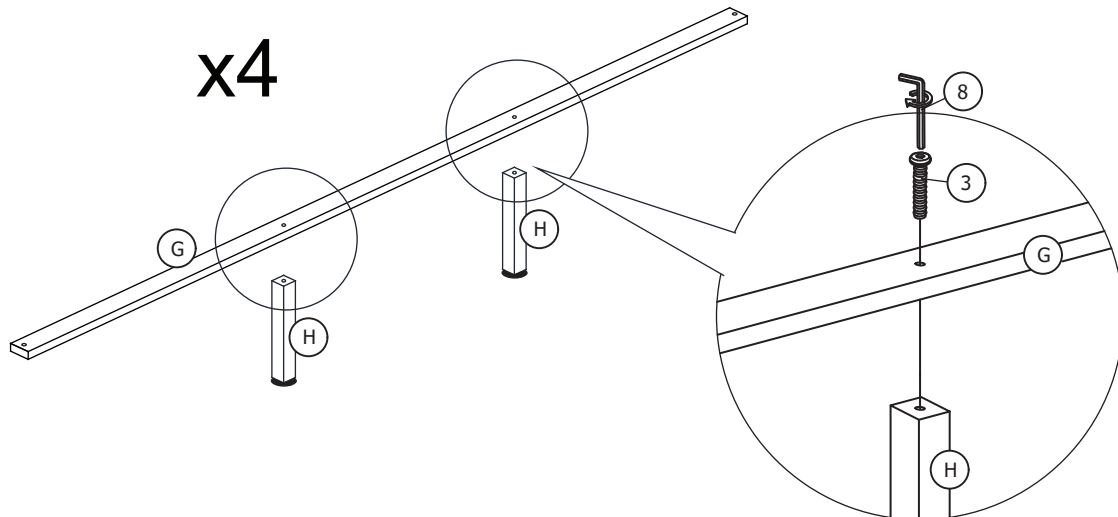
**STEP 3:** Place the Footboard (D) upside down. Attache the RSF Footboard leg (E) to the Footboard (D) by using Allen key (8) with hardware 2.



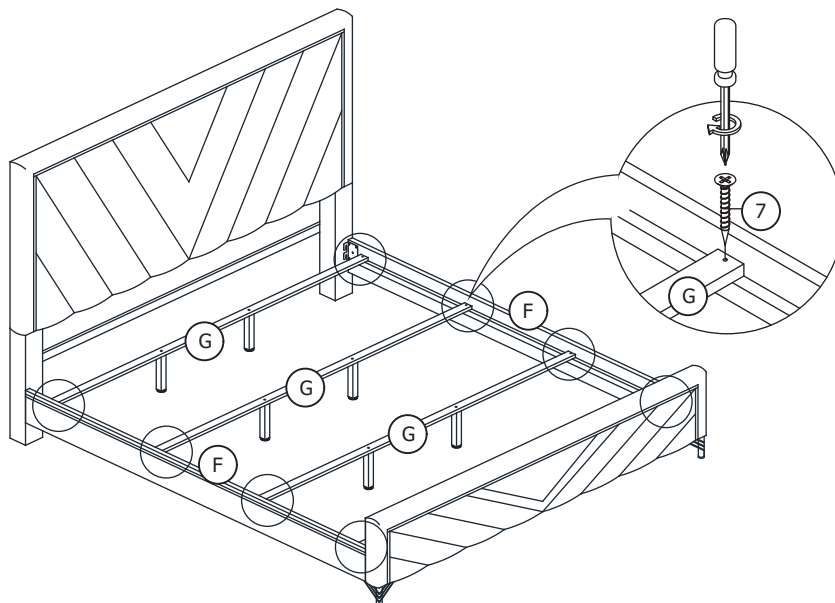
**STEP 4:** Attach the Side Rails (F) to the Headboard Legs (B & C) and to the Footboard (D) by using the Allen Key (9) with hardware 1.



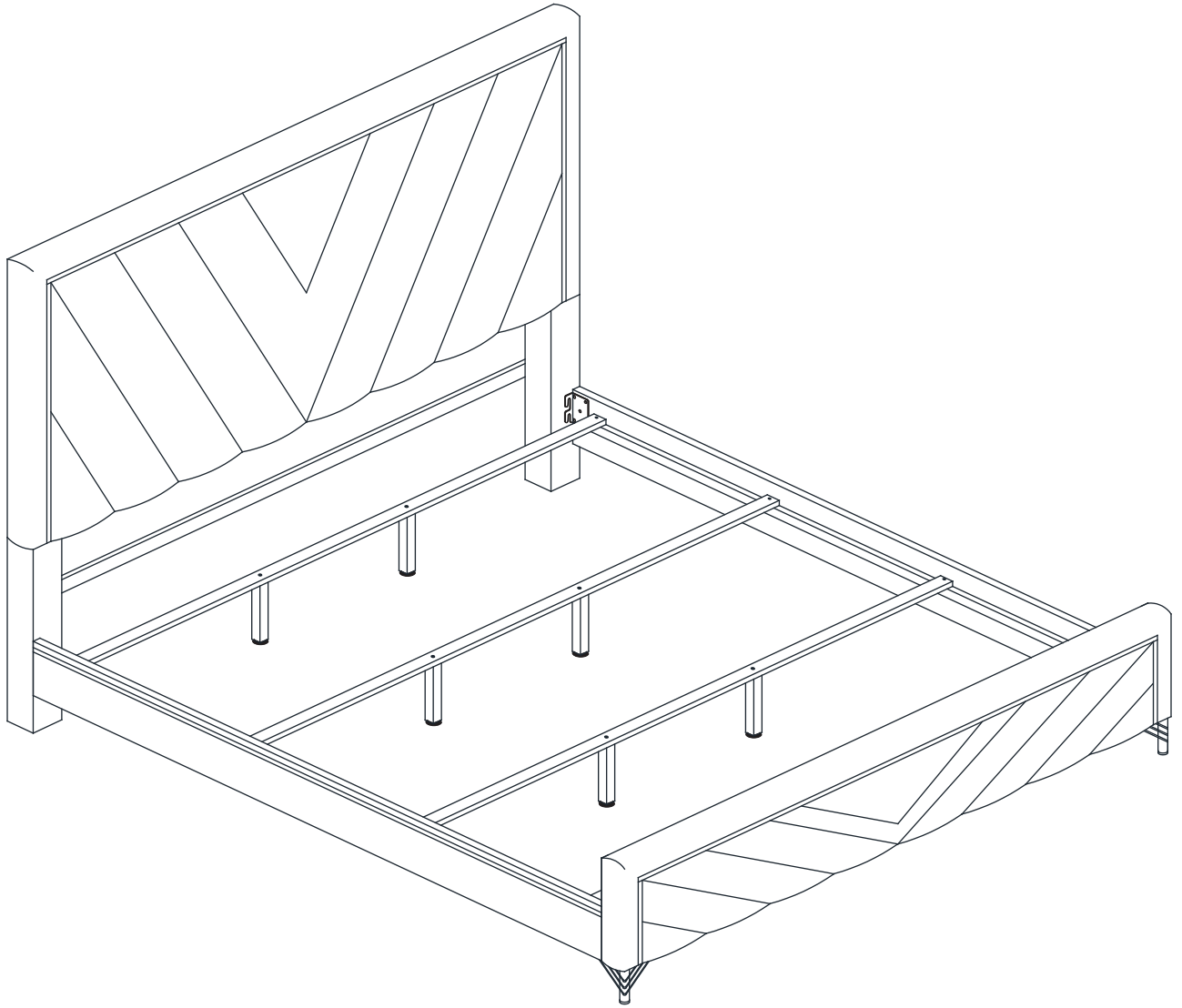
**STEP 5:** Assemble the Slat Support Leg (H) to the Slat (G) by using Allen Key (8) with hardware 3. Repeat for each slat.



**STEP 6:** Assemble the Slats (G) to the Side Rails (F) by using a screwdriver with hardware (7).



STEP 7



ASSEMBLY COMPLETED  
MADE IN MALAYSIA